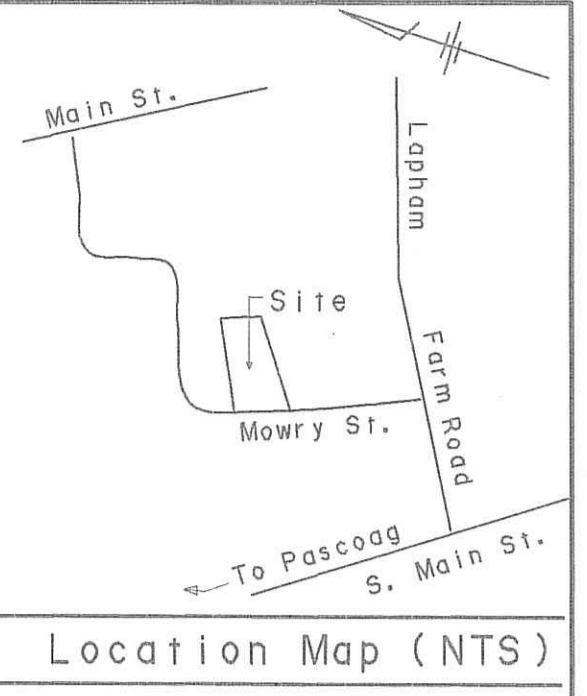


ZONING INFORMATION	
ZONED.....	R-40
Min. Lot Size....	40,000 Sq. Ft.
Min. Lot Width...	150 ft.
Building Setback Requirements	
Front.....	40'
Rear.....	40'
Side.....	15'



- Additional ISDS Notes :**
1. All Existing and Proposed Wells found within 200 Ft. of Site are shown.
 2. All existing and proposed Public Wells found within 500 Ft. of Site are shown.
 3. All Existing and Proposed Septic Systems found within 100 Ft. of Site are shown.
 4. Wetlands were delineated by Natural Resource Services, Inc. and located by field Survey.

Test Pit Data				
SE #	Parcel No.	Soil Category	WT	Perc
0604	"B"	3	30"	15 MPI
0605	"B"	3	30"	15 MPI
0606	"B"	3	30"	15 MPI
0607	"B"	3	30"	15 MPI

Place Haybales or Silt Fence & Maintain during the Construction Phase
No Grading or Stockpiling beyond the Haybale Limits

Legend	
	denotes Existing Contour
	denotes Proposed Contour
	denotes Test Hole
	denotes Wetland Flag
	denotes Limits of Disturbance
	denotes Ledge Test

Ledge Test Info		
Test #	Exist. Grade	Depth / No Ledge
LT-1	111.8	6'
LT-2	111.2	6'
LT-3	111.5	5.5'

Site Plan

Wetlands Determination Request

Applicants: Johnathan & Jennifer Heon
15 Shady Lane
Pascoag, R.I. 02859

Site Info: Poles 37 - 42 Mowry Street
Harrisville, R.I.

A.P. 176, Lot 31
Total Area = 16.8 Ac. +/-

Burrillville Rhode Island

SURVEY BY:
Terrence J. Greenlief, P.L.S. No. 1800
15 May Avenue 401-767-3241 Cumberland, R.I. 02864

This Survey & Plan conform to a CLASS III Standard as adopted by the R.I. Board of Registration for Professional Land Surveyors.

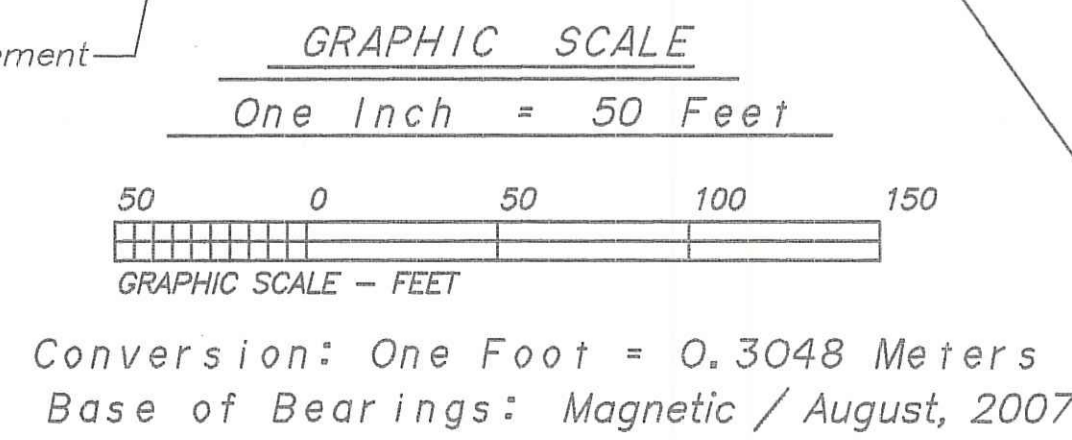
By: *Terrence J. Greenlief*
Terrence J. Greenlief, P.L.S.

Date: 3/20/07



Hatched Area indicates an Isolated Pocket of Wetlands Less than 3 Acres Enclosed Flagged Area = 1.23 Ac. +/-

Driveway Note:
Clear & Grub, Set Gravel To Match Existing Grade



No grading or other Construction Activity is proposed for Parcel 1 at this time.

Buffer Zone Markers (▲) to be placed in these locations per Condition No. 10 of the Permit.

Limit of Disturbance as Revised per RIDEM.

DEPARTMENT OF ENVIRONMENTAL MANAGEMENT
OFFICE OF WATER RESOURCES
FRESHWATER WETLANDS PROGRAM
APPROVED WITH CONDITIONS
AS SPECIFIED IN THE LETTER OF APPROVAL
DATED JUN 27 2007 FILE # 07-0201
NO CHANGES ALLOWED WITHOUT PRIOR APPROVAL
APPROVED PLANS MUST BE AT CONSTRUCTION SITE

RECEIVED
MAY 15 2007

RECEIVED
MAY 8 2007

