

REFERENCE COORDINATE POINTS  
 UTM ZONE 19  
 NORTH AMERICAN DATUM 83 (NAD83)  
 US SURVEY FOOT

LAT: 41.7143°N  
 LONG: 71.5145°W

PROJECT BOUNDARY

UPSTREAM BOUNDARY  
 EL. 80.0± NGVD

LAT: 41.7071°N  
 LONG: 71.5204°W

LAT: 41.7156°N  
 LONG: 71.5236°W

LAT: 41.7143°N  
 LONG: 71.5145°W

DEPARTMENT OF ENVIRONMENTAL MANAGEMENT  
 OFFICE OF WATER RESOURCES  
 FRESHWATER WETLANDS PROGRAM  
 APPROVED WITH CONDITIONS  
 AS SPECIFIED IN THE LETTER OF APPROVAL  
 DATED OCT 10 2008 FILE # 07-035C  
 NO CHANGES ALLOWED WITHOUT PRIOR APPROVAL  
 APPROVED PLANS MUST BE AT CONSTRUCTION SITE.

*Anthony B. [Signature]*

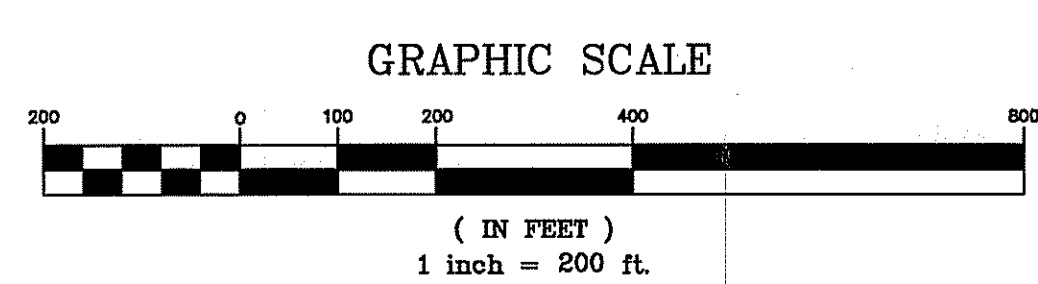
Kindly be advised that this Permit is not equivalent to a verification of the type or extent of freshwater wetlands on site.

REVISIONS

B SHEET 1

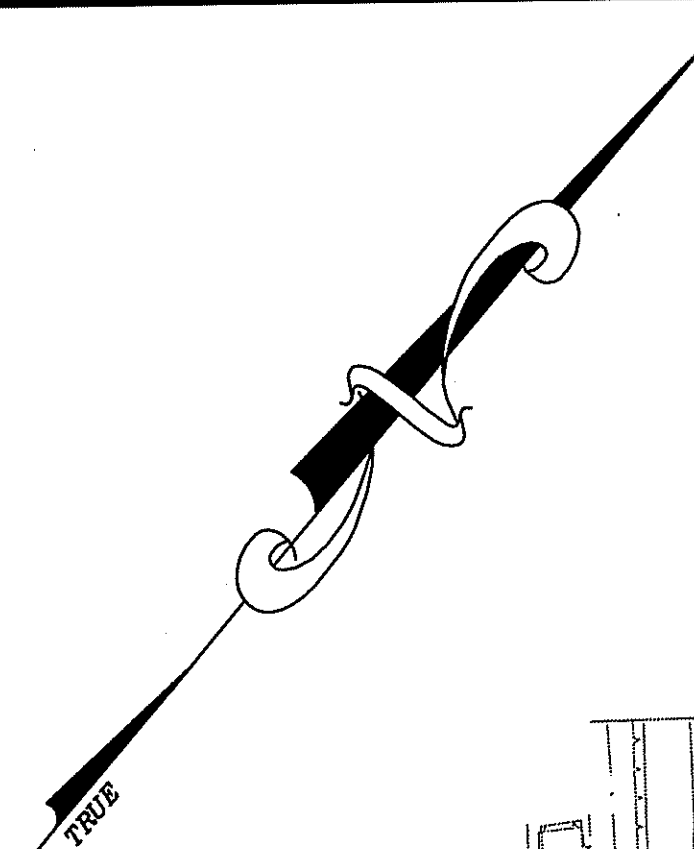
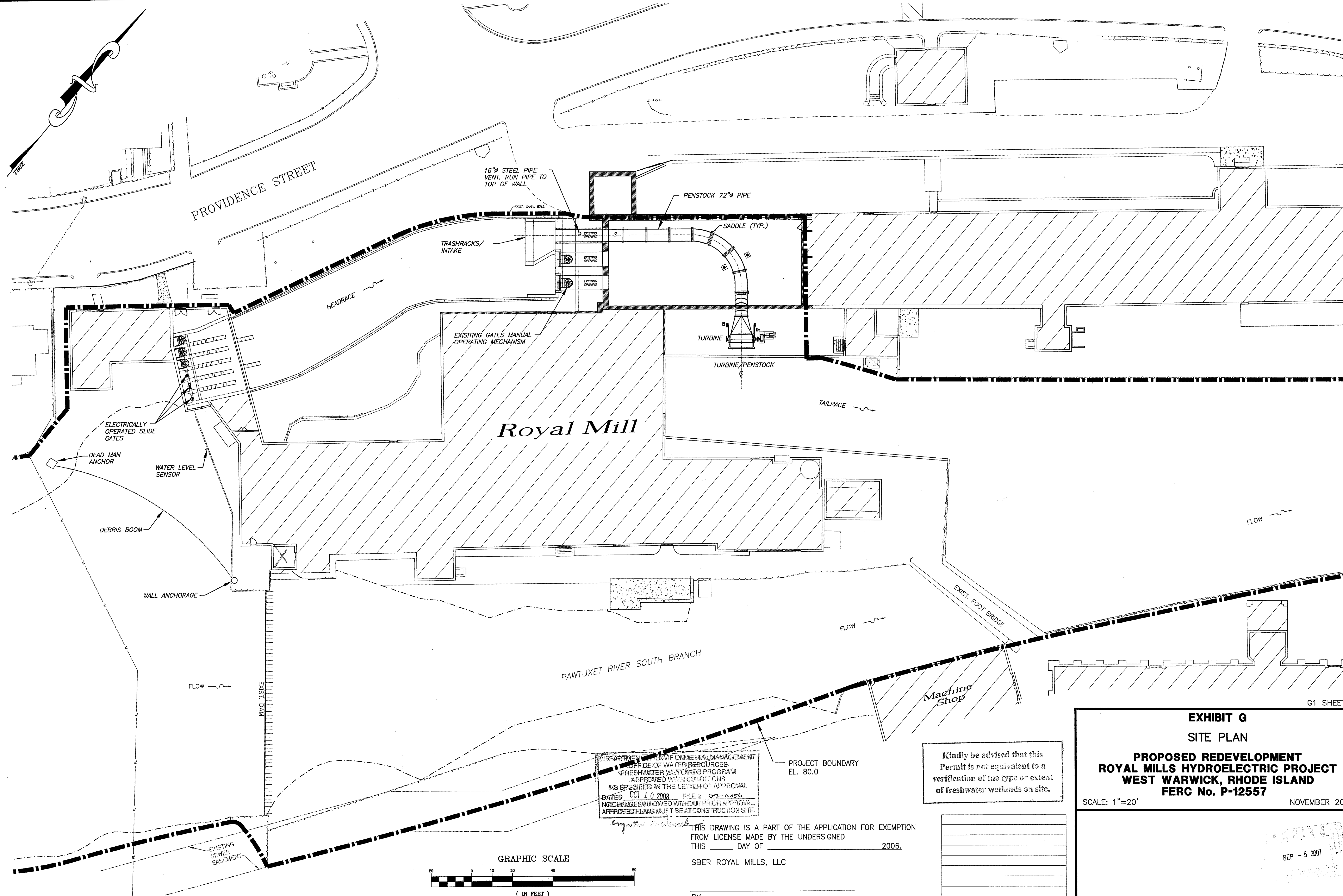
**EXHIBIT B**  
**PROJECT BOUNDARY**  
**PROPOSED REDEVELOPMENT**  
**ROYAL MILLS HYDROELECTRIC PROJECT**  
**WEST WARWICK, RHODE ISLAND**  
**FERC No. P-12557**

SCALE: 1"=200' NOVEMBER 2006



THIS DRAWING IS A PART OF THE APPLICATION FOR EXEMPTION FROM LICENSE MADE BY THE UNDERSIGNED  
 THIS \_\_\_\_ DAY OF \_\_\_\_\_ 2006.  
 SBER ROYAL MILLS, LLC  
 BY \_\_\_\_\_

RECEIVED  
 SEP - 5 2007



PROVIDENCE STREET

16" STEEL PIPE VENT. RUN PIPE TO TOP OF WALL

PENSTOCK 72" PIPE

SADDLE (TYP.)

TRASHRACKS/INTAKE

HEADRACE

EXISTING GATES MANUAL OPERATING MECHANISM

TURBINE

TURBINE/PENSTOCK

TAILRACE

Royal Mill

ELECTRICALLY OPERATED SLIDE GATES

DEAD MAN ANCHOR

WATER LEVEL SENSOR

DEBRIS BOOM

WALL ANCHORAGE

FLOW

EXIST. DAM

PAWTUXET RIVER SOUTH BRANCH

FLOW

EXIST. FOOT BRIDGE

Machine Shop

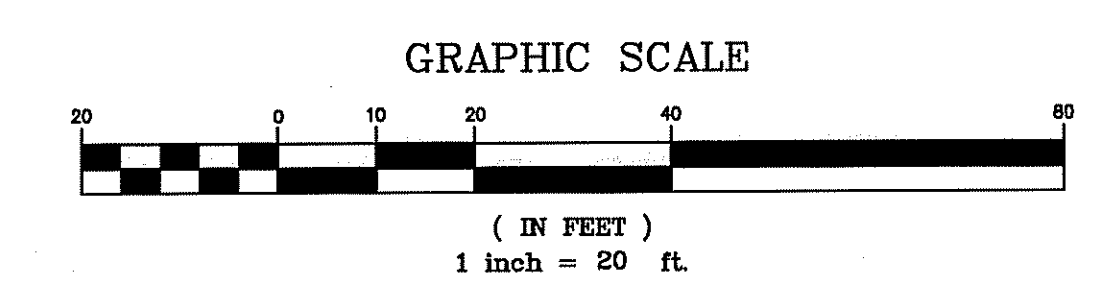
FLOW

G1 SHEET 1

DEPARTMENT OF ENVIRONMENTAL MANAGEMENT  
 OFFICE OF WATER RESOURCES  
 FRESHWATER WETLANDS PROGRAM  
 APPROVED WITH CONDITIONS  
 AS SPECIFIED IN THE LETTER OF APPROVAL  
 DATED OCT 10 2006 FILE # 07-0336  
 NO CHANGES ALLOWED WITHOUT PRIOR APPROVAL.  
 APPROVED PLANS MUST BE AT CONSTRUCTION SITE.

PROJECT BOUNDARY  
 EL. 80.0

Kindly be advised that this Permit is not equivalent to a verification of the type or extent of freshwater wetlands on site.



THIS DRAWING IS A PART OF THE APPLICATION FOR EXEMPTION FROM LICENSE MADE BY THE UNDERSIGNED THIS \_\_\_\_\_ DAY OF \_\_\_\_\_ 2006.

SBER ROYAL MILLS, LLC

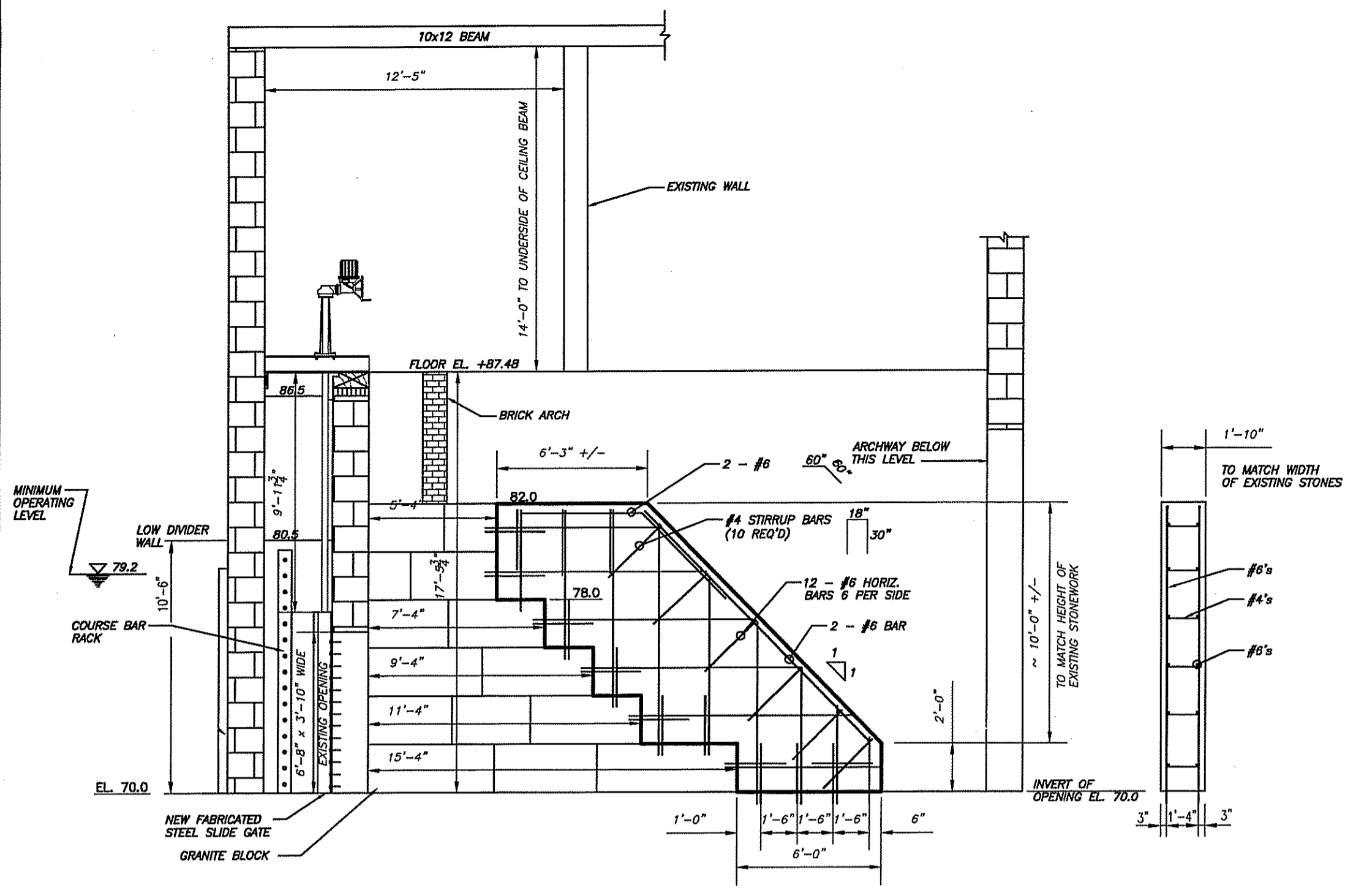
BY \_\_\_\_\_

REVISIONS

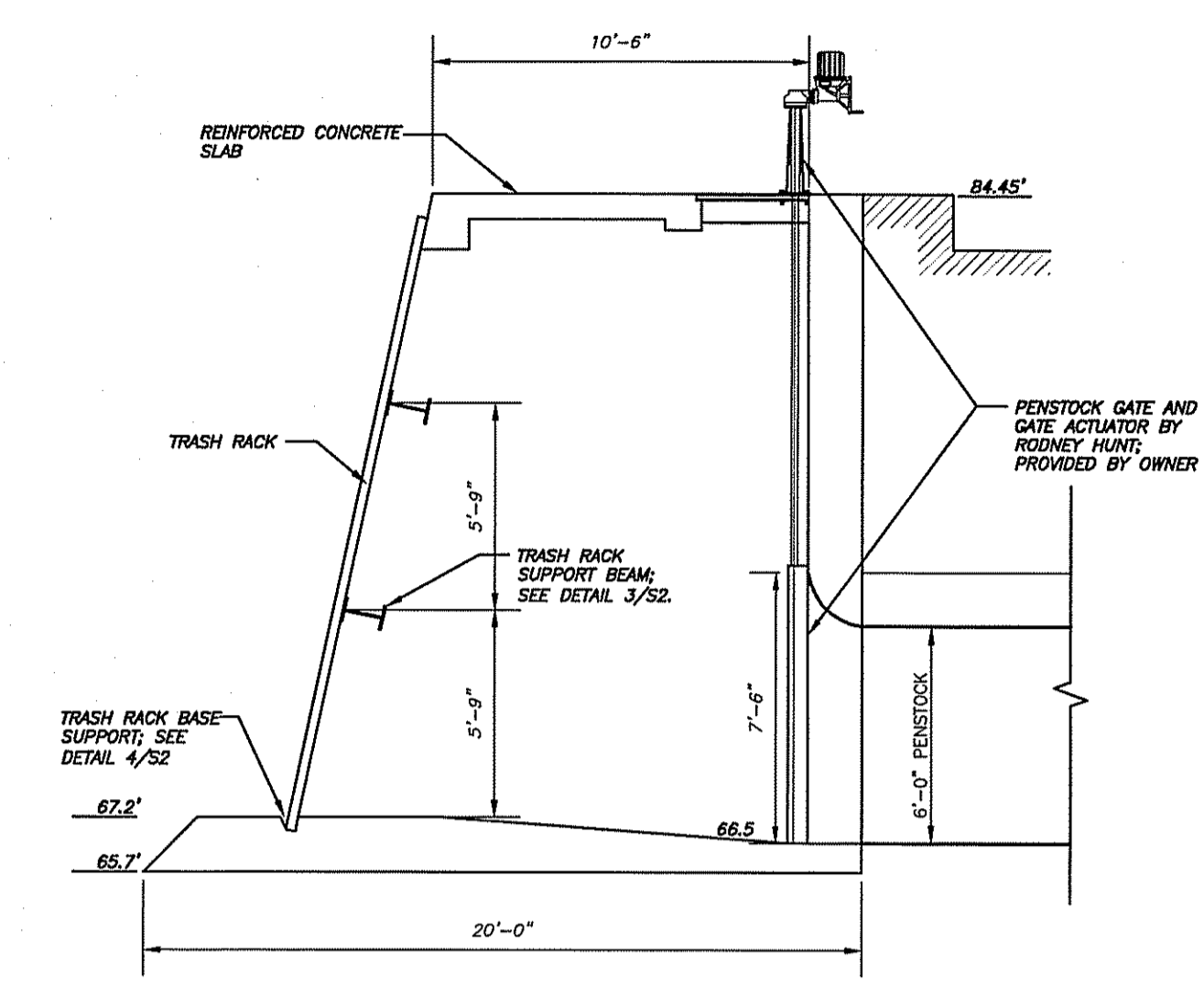
**EXHIBIT G**  
**SITE PLAN**  
**PROPOSED REDEVELOPMENT**  
**ROYAL MILLS HYDROELECTRIC PROJECT**  
**WEST WARWICK, RHODE ISLAND**  
**FERC No. P-12557**

SCALE: 1"=20' NOVEMBER 2006

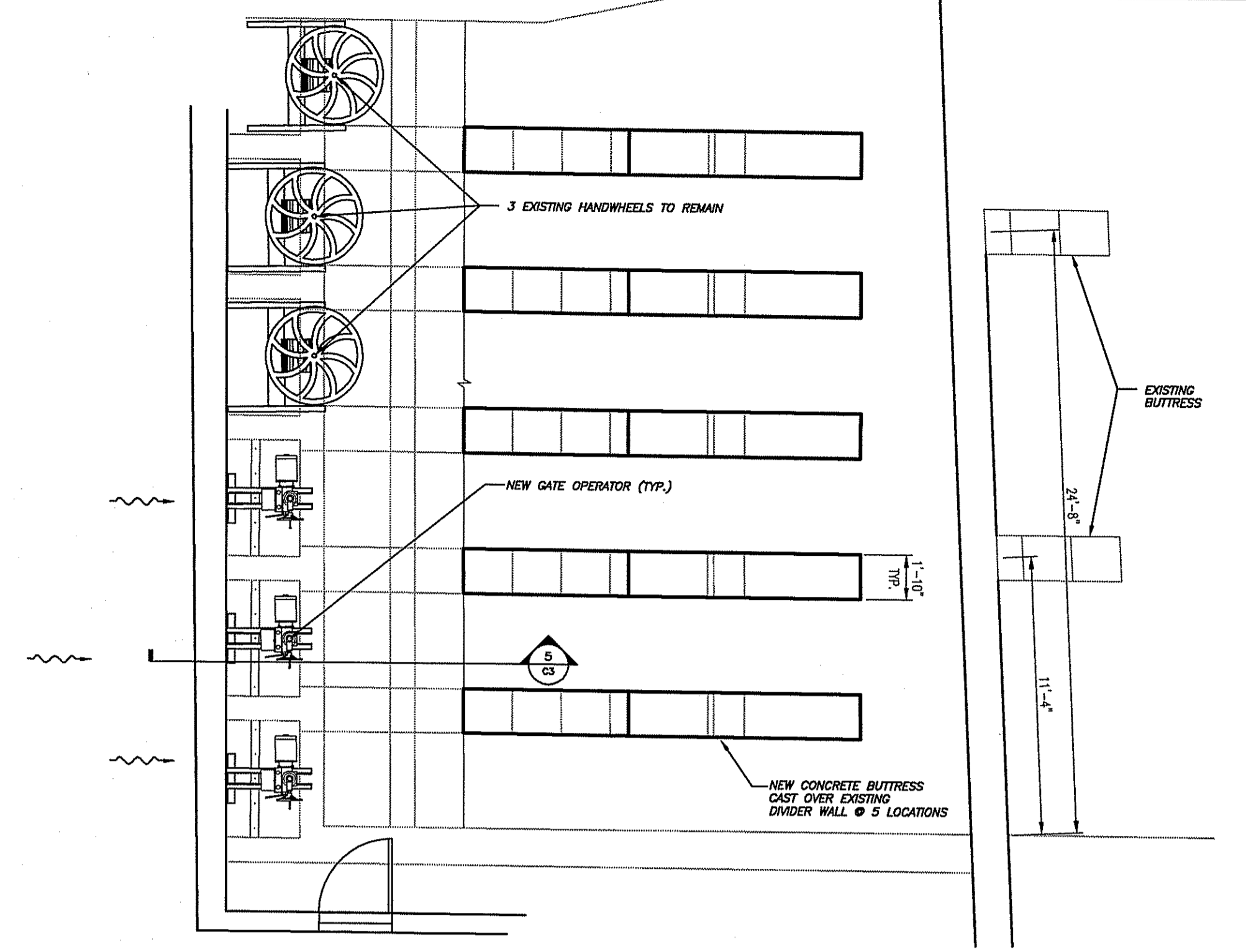
RECEIVED  
 SEP - 5 2007



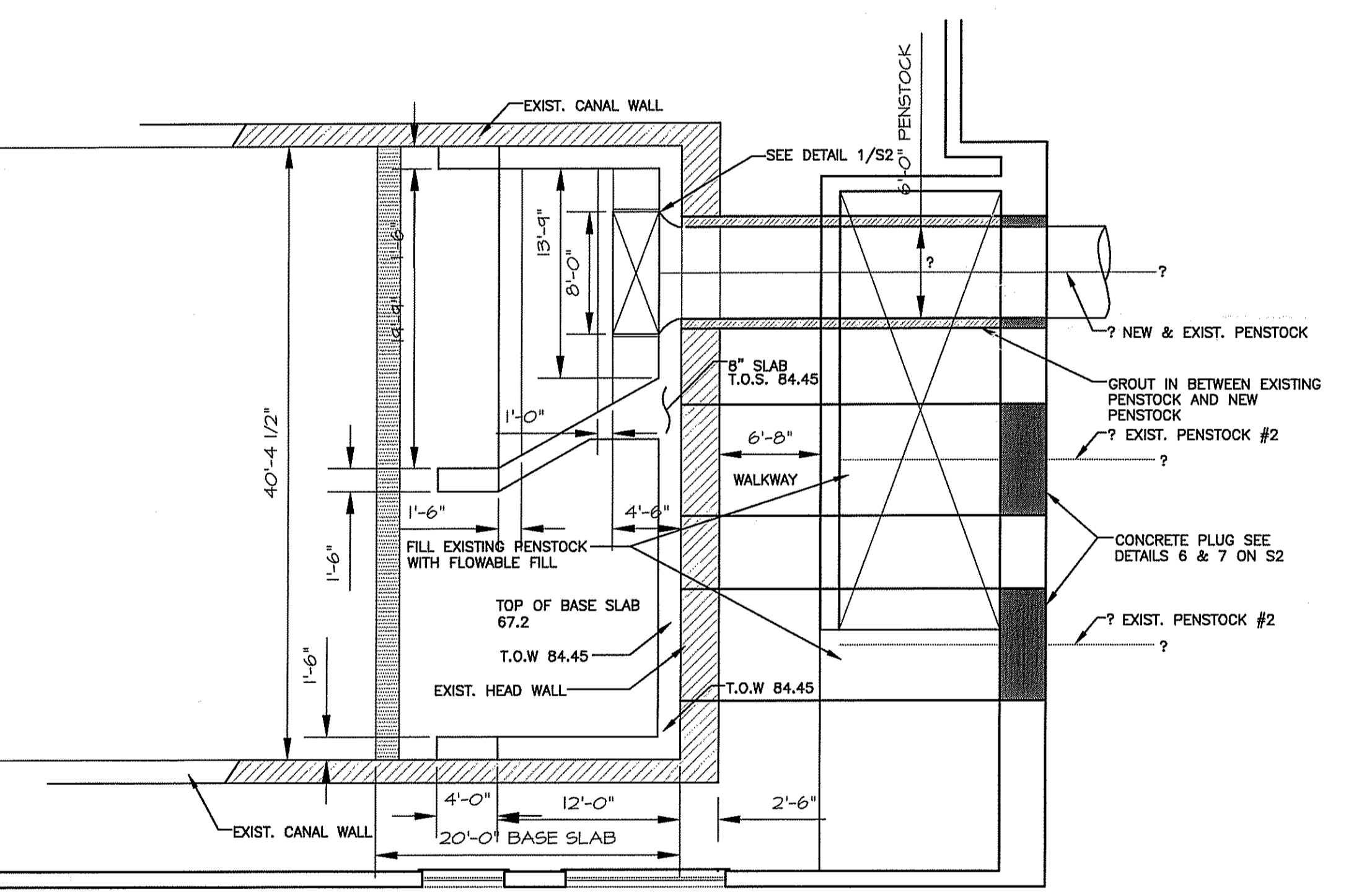
1 POWER CANAL INTAKE GATE-SECTION  
 FI.1 SCALE: 1" = 5'-0"



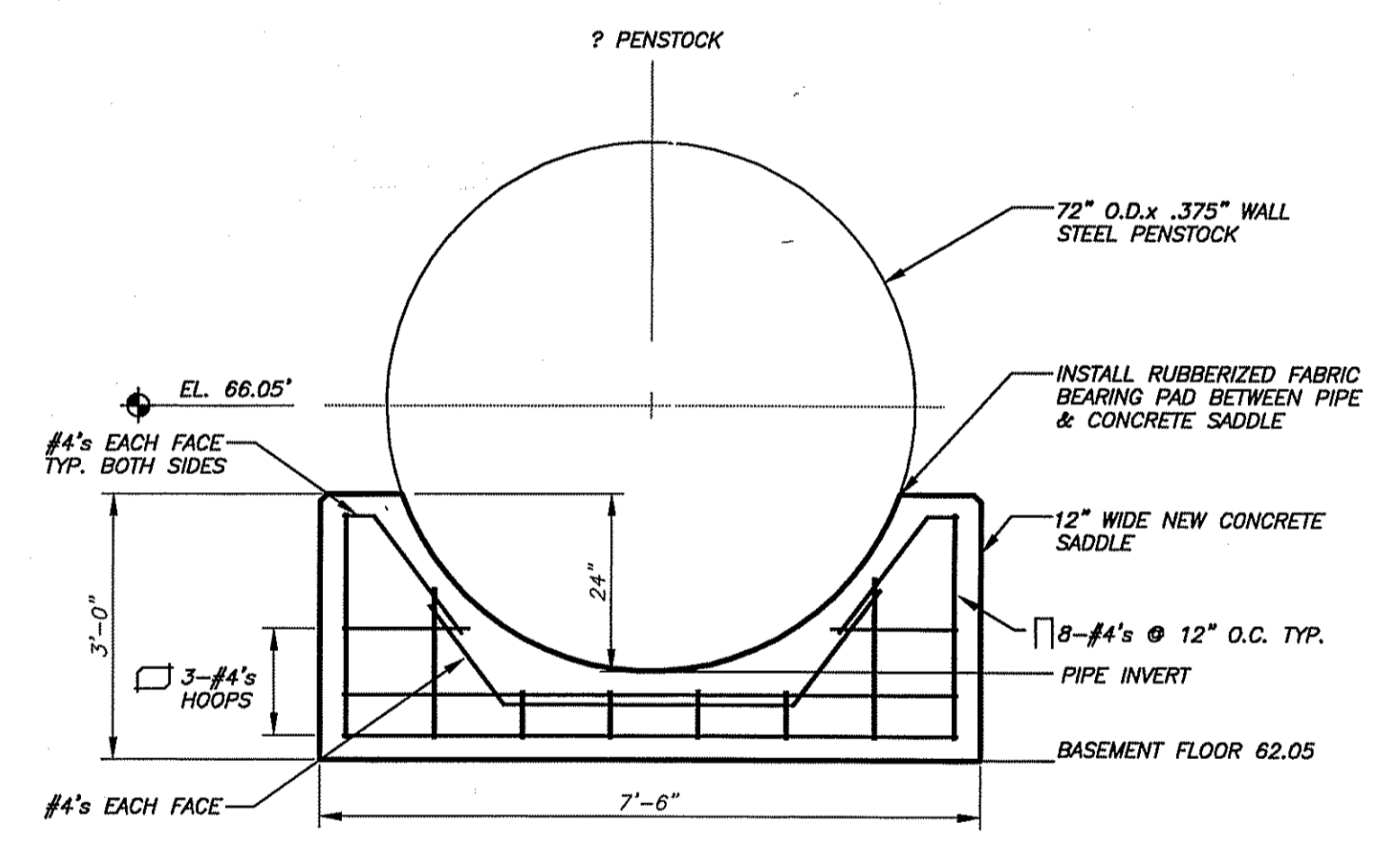
2 PENSTOCK INTAKE SECTION  
 FI.1 SCALE: 1" = 5'-0"



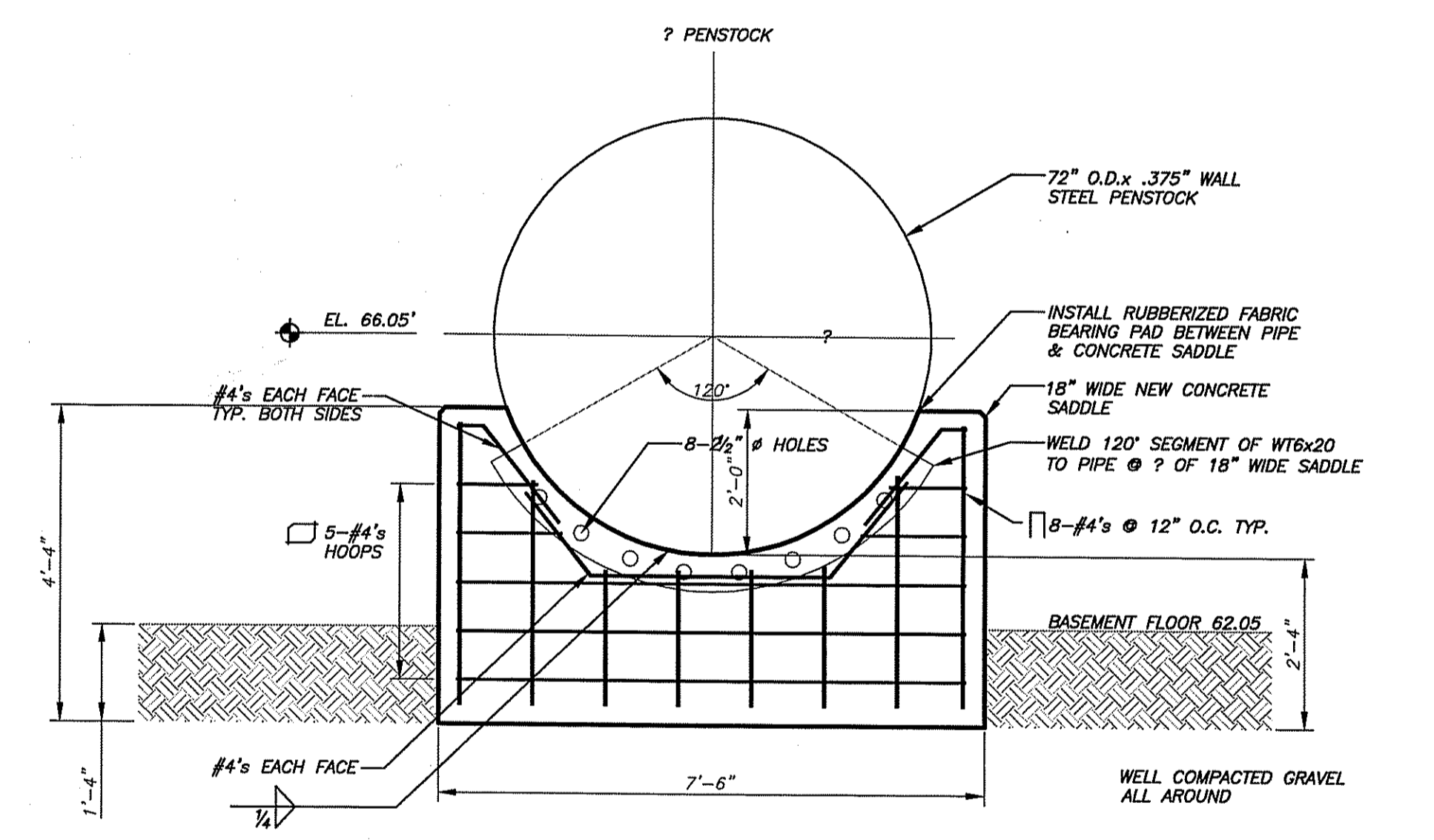
3 POWER CANAL INTAKE GATES-PLAN VIEW  
 FI.1 SCALE: 1" = 5'-0"



4 PENSTOCK INTAKE STRUCTURE-PLAN  
 FI.1 SCALE: 1/8" = 1'-0"



5 TYPICAL SADDLE DETAIL-TYPE "A"  
 FI.1 SCALE: 1/2" = 1'-0"



6 TYPICAL SADDLE DETAIL-TYPE "B"  
 FI.1 SCALE: 1/2" = 1'-0"

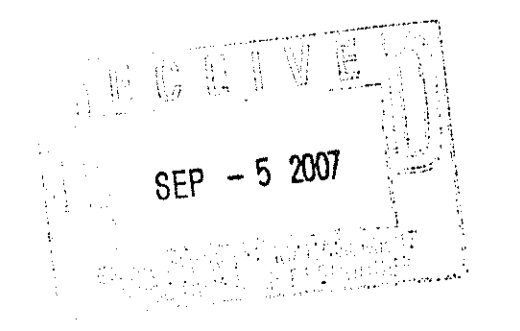
DEPARTMENT OF ENVIRONMENTAL MANAGEMENT  
 OFFICE OF WATER RESOURCES  
 FRESHWATER WETLANDS PROGRAM  
 APPROVED WITH CONDITIONS  
 AS SPECIFIED IN THE LETTER OF APPROVAL  
 DATED OCT 10 2008 FILE # 07-0356  
 NO CHANGES ALLOWED WITHOUT PRIOR APPROVAL  
 APPROVED PLANS MUST BE AT CONSTRUCTION SITE

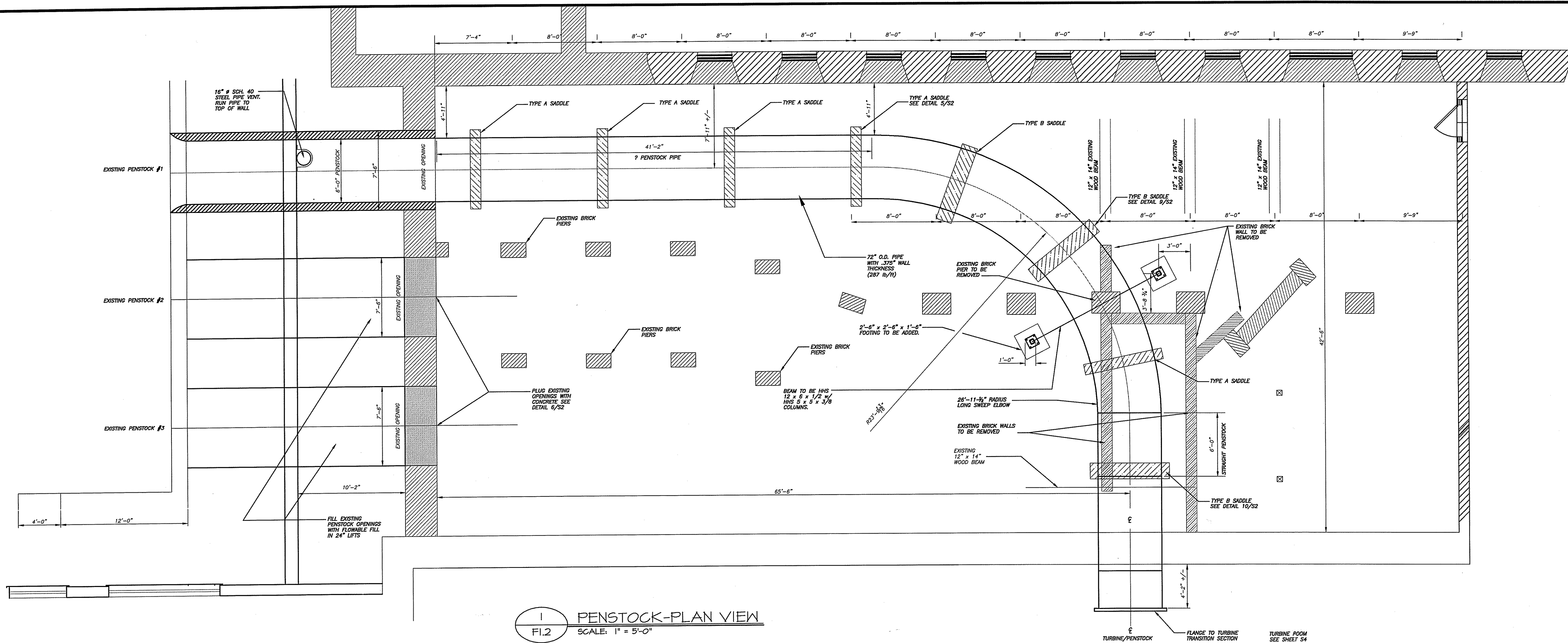
Kindly be advised that this Permit is not equivalent to a verification of the type or extent of freshwater wetlands on site.

**EXHIBIT G**  
**PROJECT STRUCTURES & EQUIPMENT**  
**PROPOSED REDEVELOPMENT**  
**ROYAL MILLS HYDROELECTRIC PROJECT**  
**WEST WARWICK, RHODE ISLAND**  
**FERC No. P-12557**  
 SCALE: AS SHOWN NOVEMBER 2006

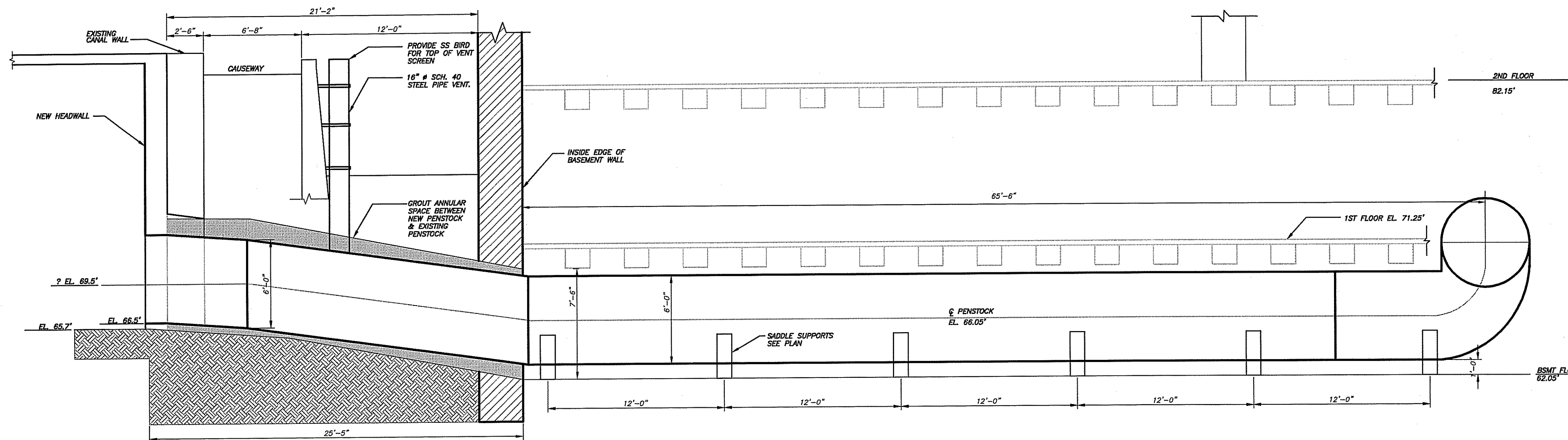
THIS DRAWING IS A PART OF THE APPLICATION FOR EXEMPTION FROM LICENSE MADE BY THE UNDERSIGNED  
 THIS \_\_\_\_\_ DAY OF \_\_\_\_\_ 2006.  
 SBER ROYAL MILLS, LLC

NO.	REVISIONS





1  
Fl. 2  
**PENSTOCK-PLAN VIEW**  
SCALE: 1" = 5'-0"



2  
Fl. 2  
**PENSTOCK-ELEVATION VIEW**  
SCALE: 1" = 5'-0"

Kindly be advised that this Permit is not equivalent to a verification of the type or extent of freshwater wetlands on site.

NO.	REVISIONS

THIS DRAWING IS A PART OF THE APPLICATION FOR EXEMPTION FROM LICENSE MADE BY THE UNDERSIGNED  
THIS \_\_\_\_\_ DAY OF \_\_\_\_\_ 2006.

SBER ROYAL MILLS, LLC

BY \_\_\_\_\_

DEPARTMENT OF ENVIRONMENTAL MANAGEMENT  
OFFICE OF WATER RESOURCES  
FRESHWATER WETLANDS PROGRAM  
APPROVED WITH CONDITIONS  
AS SPECIFIED IN THE LETTER OF APPROVAL  
DATED OCT 10 2008 FILE # 07-0356  
NO CHANGES ALLOWED WITHOUT PRIOR APPROVAL  
APPROVED PLANS MUST BE AT CONSTRUCTION SITE.

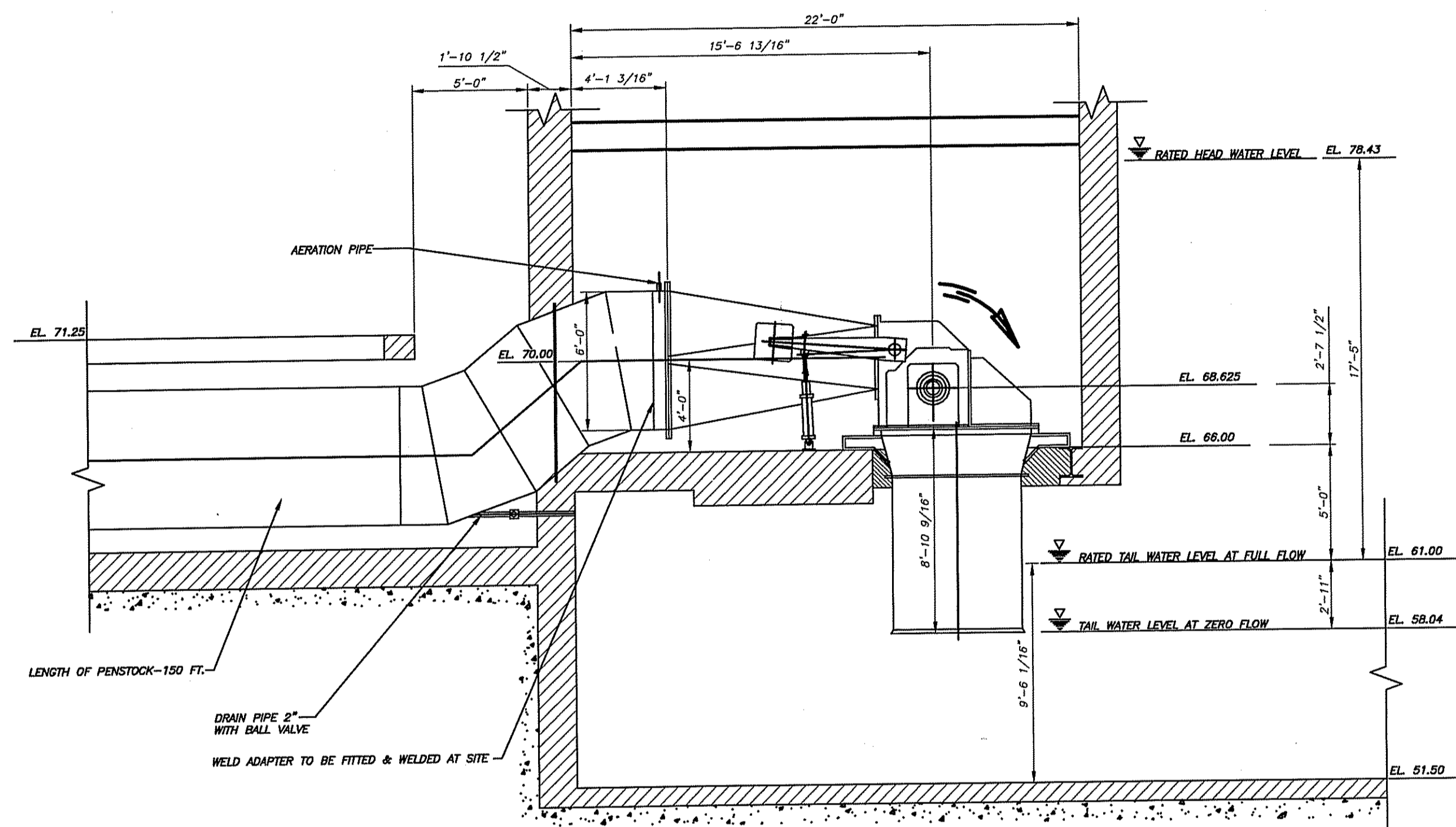
G1 SHEET 3

**EXHIBIT G**  
**PROJECT STRUCTURES & EQUIPMENT**  
**PROPOSED REDEVELOPMENT**  
**ROYAL MILLS HYDROELECTRIC PROJECT**  
**WEST WARWICK, RHODE ISLAND**  
**FERC No. P-12557**

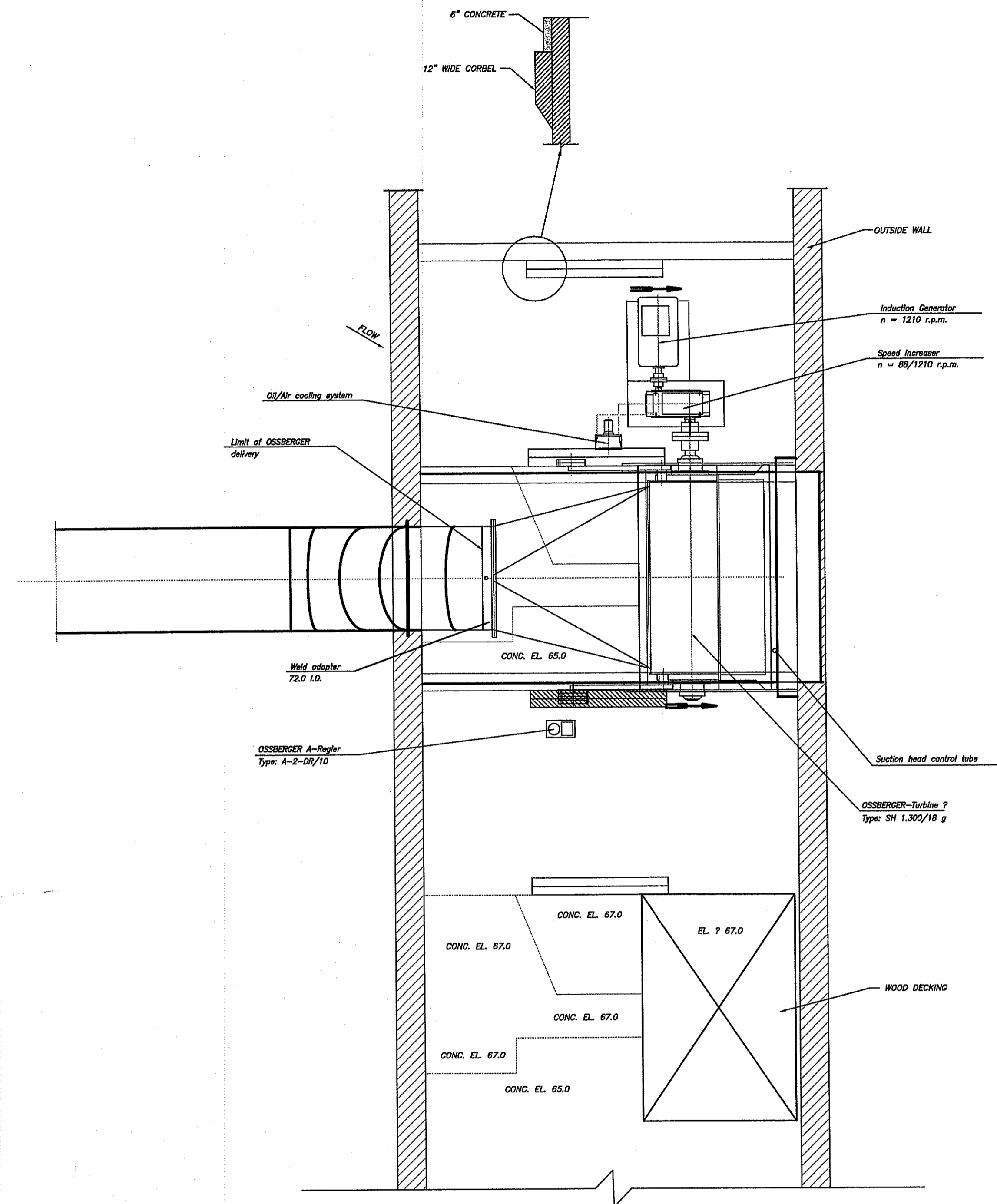
SCALE: AS SHOWN

NOVEMBER 2006

SEP - 5 2007



1 PENSTOCK/TURBINE ELEVATION  
 FI.3 SCALE: 1" = 5'-0"



2 TURBINE ROOM-PLAN  
 FI.3 SCALE: 1" = 5'-0"

DEPARTMENT OF ENVIRONMENTAL MANAGEMENT  
 OFFICE OF WATER RESOURCES  
 FRESHWATER WETLANDS PROGRAM  
 APPROVED WITH CONDITIONS  
 AS SPECIFIED IN THE LETTER OF APPROVAL  
 DATED OCT 10 2006 FILE # 07-0356  
 NO CHANGES ALLOWED WITHOUT PRIOR APPROVAL  
 APPROVED PLANS MUST BE AT CONSTRUCTION SITE.

Kindly be advised that this Permit is not equivalent to a verification of the type or extent of freshwater wetlands on site.

**EXHIBIT G**  
**PROJECT STRUCTURES & EQUIPMENT**  
**PROPOSED REDEVELOPMENT**  
**ROYAL MILLS HYDROELECTRIC PROJECT**  
**WEST WARWICK, RHODE ISLAND**  
**FERC No. P-12557**  
 SCALE: AS SHOWN NOVEMBER 2006

THIS DRAWING IS A PART OF THE APPLICATION FOR EXEMPTION FROM LICENSE MADE BY THE UNDERSIGNED THIS \_\_\_\_ DAY OF \_\_\_\_\_ 2006.  
 SBER ROYAL MILLS, LLC

BY \_\_\_\_\_

REVISIONS

SEP - 5 2007

