

PROPOSED ONSITE WASTEWATER TREATMENT & WETLANDS PLAN FOR SCOTT PERRY

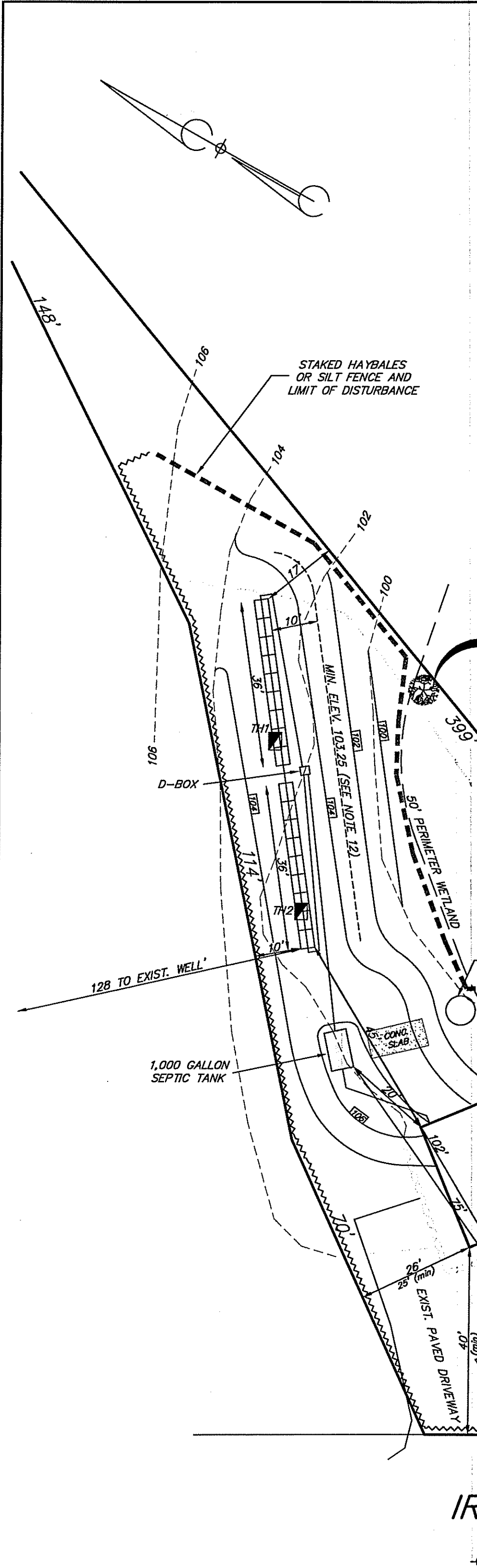
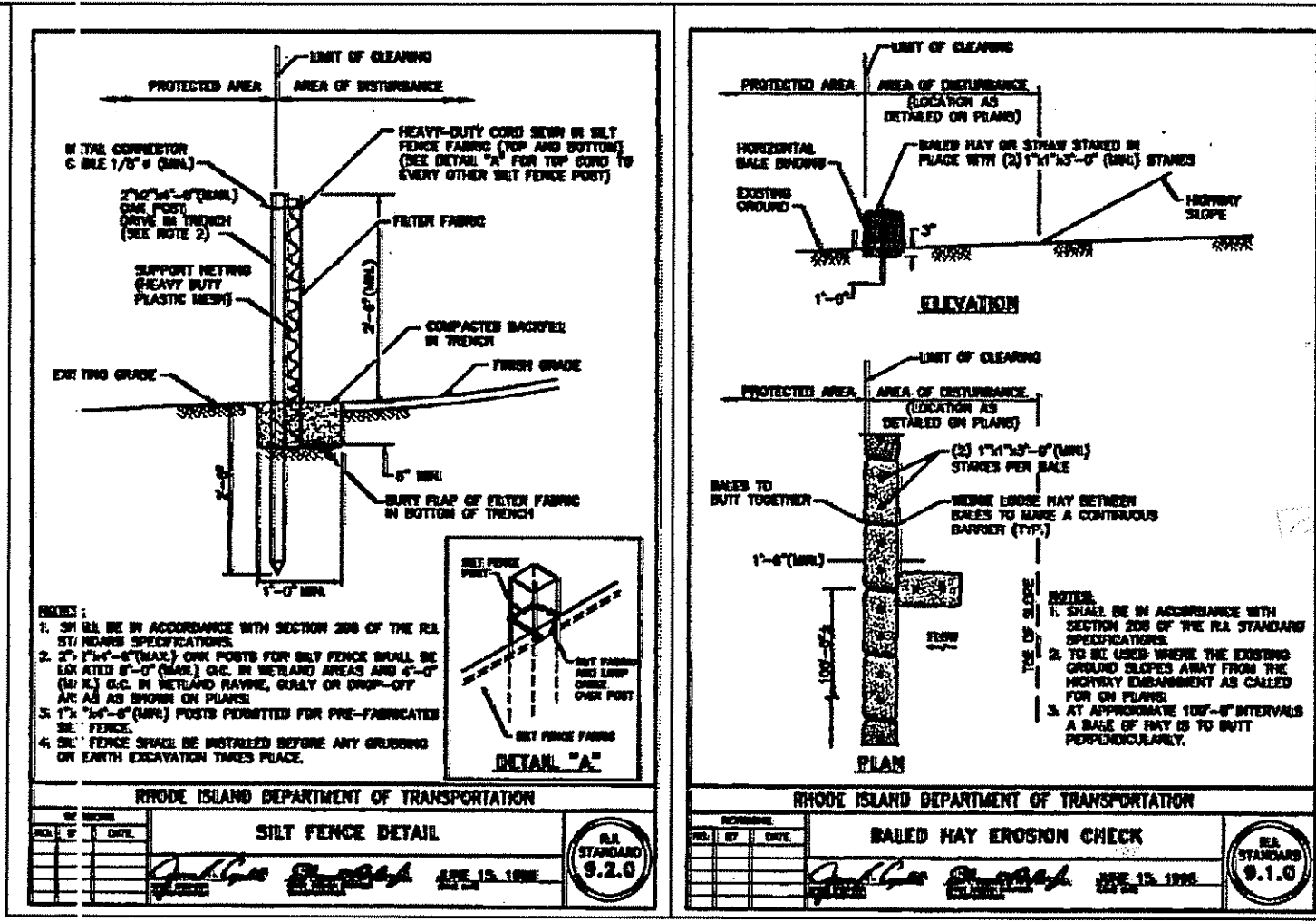
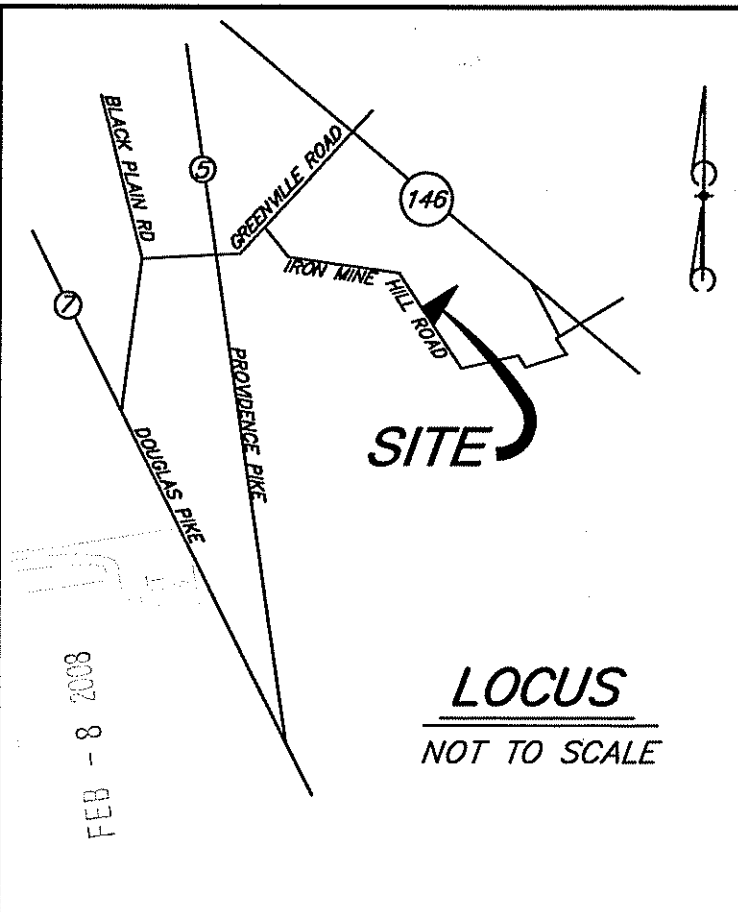
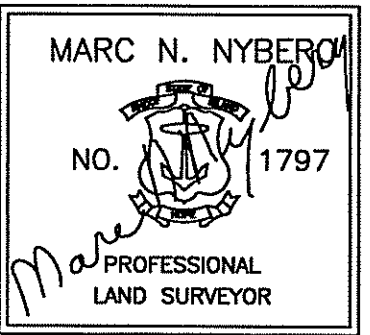
IRON MINE HILL ROAD
No. SMITHFIELD, RHODE ISLAND
DATE: JANUARY, 2008 SCALE: 1" = 20'

PLAT 16, LOT 70, AREA: 19,466 S.F.±

BENCH MARK: NAIL IN TREE, ELEVATION 100.86

LEACHING SYSTEM BY:

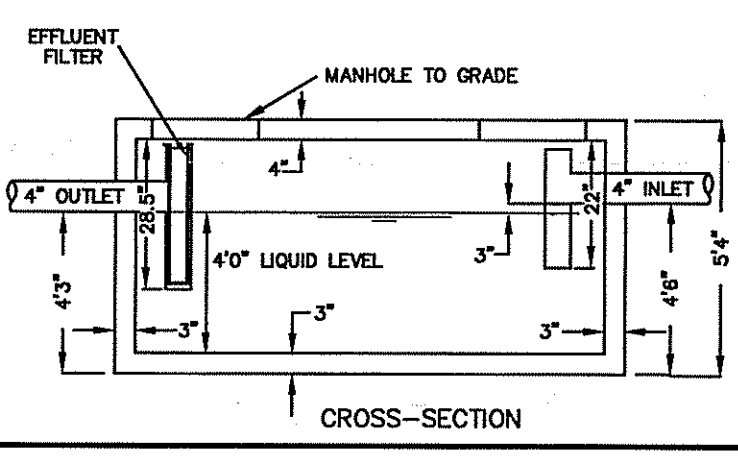
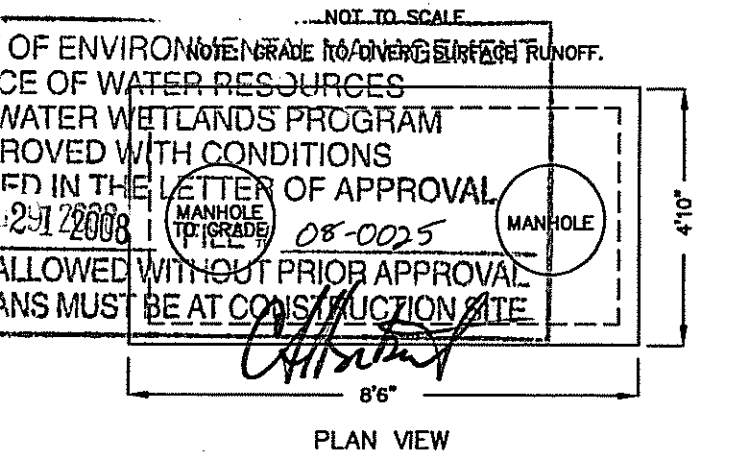
MARC N. NYBERG ASSOCIATES, INC.
LAND SURVEYORS and PLANNERS
501 GREAT ROAD, UNIT 104
NORTH SMITHFIELD, RHODE ISLAND 02896
TEL: (401) 762-2870
FAX: (401) 762-2871



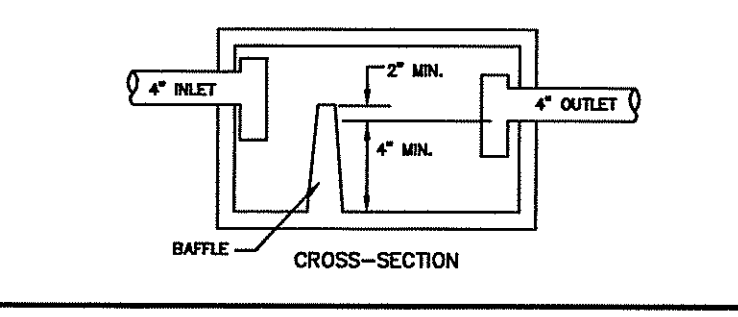
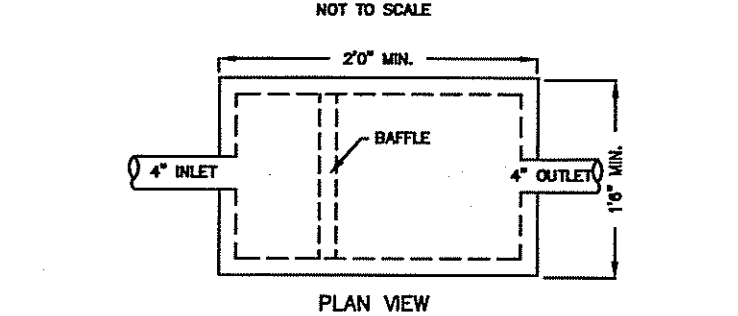
- LEGEND**
- 100 --- 100 EXISTING CONTOUR
 - 100 --- 100 PROPOSED CONTOUR
 - TREELINE
 - TH2 TEST HOLE WELL
 - W100 WETLAND FLAG
 - LIMIT OF DISTURBANCE
 - STAKED HAYBALES OR SILT FENCE AND LIMIT OF DISTURBANCE

DEPARTMENT OF ENVIRONMENTAL MANAGEMENT
OFFICE OF WATER RESOURCES
FRESHWATER WETLANDS PROGRAM
APPROVED WITH CONDITIONS
AS SPECIFIED IN THE LETTER OF APPROVAL
DATED 08-0025
NO CHANGES ALLOWED WITHOUT PRIOR APPROVAL
APPROVED PLANS MUST BE AT CONSTRUCTION SITE

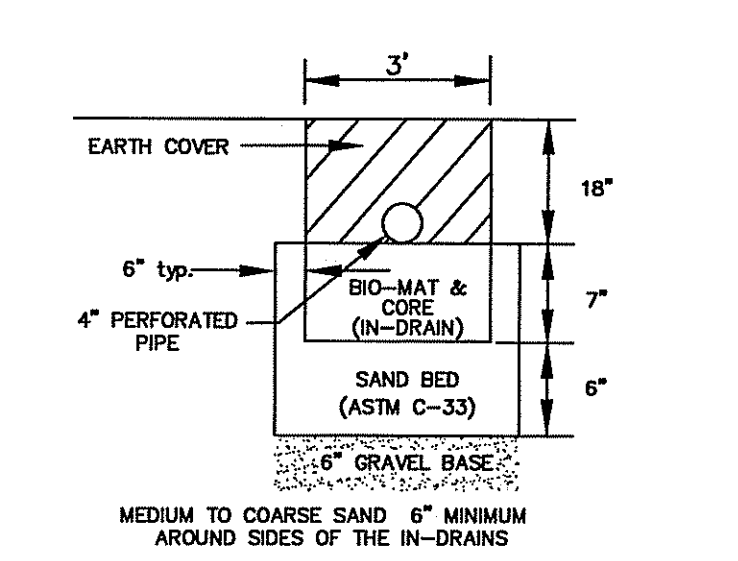
1,000 GALLON SEPTIC TANK



DISTRIBUTION BOX (D-BOX)



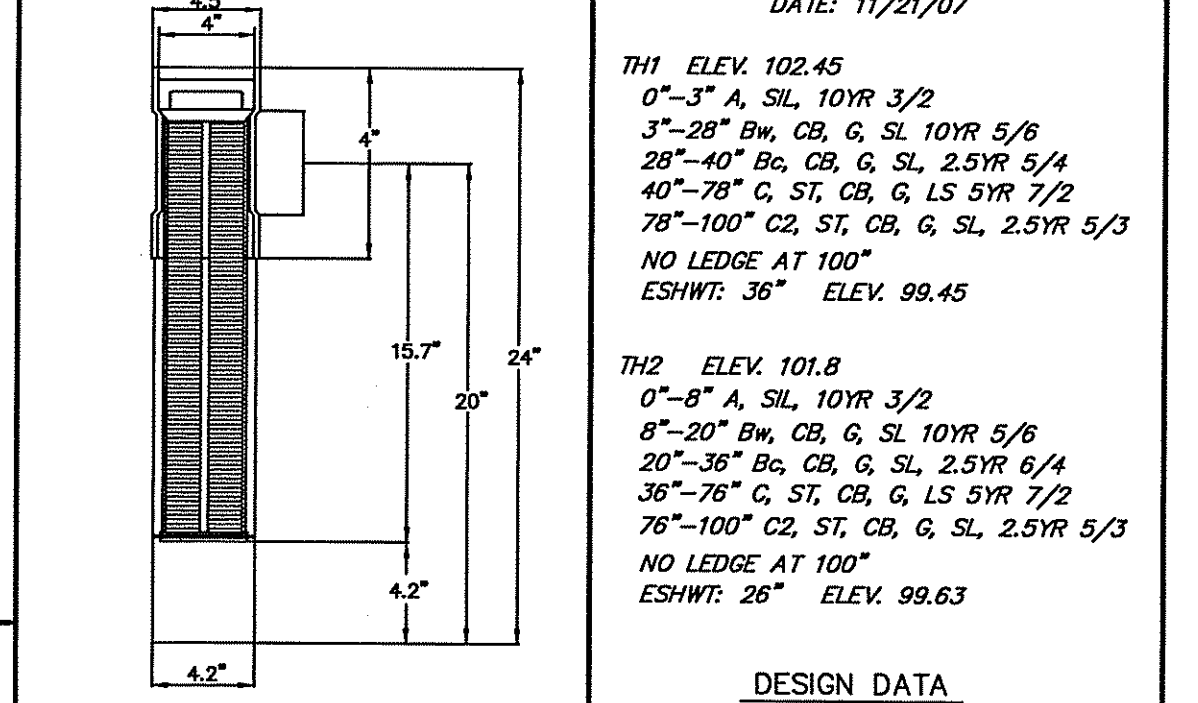
LEACHING SYSTEM CROSS-SECTION



GENERAL NOTES

- 1) LEACHING TRENCHES TO BE EXCAVATED IN ACCORDANCE WITH RIDEM REGULATION 32.9 FOR ONSITE WASTEWATER TREATMENT SYSTEMS. A 6 INCH GRAVEL BASE TO BE SET BELOW EACH TRENCH IN ACCORDANCE WITH REGULATION 32.12. TREES, BRUSH AND STUMPS WITHIN AND EXTENDING 10 FEET BEYOND LEACHFIELD TO BE REMOVED.
- 2) USE SCHEDULE 40 PVC PIPE UNDER DRIVEWAY AND SDR #35 PVC PIPING OR EQUIVALENT THROUGHOUT REST OF SYSTEM.
- 3) NO WELL EXISTS WITHIN 100' OF THE PROPOSED LEACHING SYSTEM.
- 4) NO LEACHING SYSTEM EXISTS WITHIN 100' OF THE PROPOSED WELL.
- 5) NO WELLS, EXISTING OR PROPOSED, ARE WITHIN 200' FEET OF ISDS. NO PUBLIC WELLS, EXISTING OR PROPOSED, ARE WITHIN 500' OF THE ISDS.
- 6) BRING SEPTIC TANK AND D-BOX MANHOLES TO GRADE.
- 7) SEPTIC TANK TO BE A MINIMUM OF 75' FROM ALL WELLS.
- 8) ENDS OF LINES IN TRENCH TO BE INTERCONNECTED.
- 9) D-BOX TO HAVE A MINIMUM BOTTOM AREA OF 3 SQUARE FEET AND MEET H-20 WHEEL LOADS WITH MARKER SET TO GRADE.
- 10) SANITARY TEES TO BE INSTALLED IN SEPTIC TANK.
- 11) NO DRAINS OF ANY KIND SHALL BE WITHIN 25' UPGRADIENT OR 50' DOWNGRADIENT OF THE PROPOSED LEACHING SYSTEM.
- 12) 10' FROM LEACHING AREA NOT TO BE LOWER THAN ELEV. 103.25.
- 13) COVER OVER SEPTIC TANK TO BE GRADED TO DIVERT SURFACE RUNOFF.
- 14) SYSTEM INSTALLATION TO BE SUPERVISED BY THE DESIGNER.
- 15) LABEL EFFLUENT FILTER TO BE INSTALLED AT SEPTIC TANK OUTLET.
- 16) WASHING MACHINE LINT FILTER IS STRONGLY RECOMMENDED TO PREVENT PREMATURE FAILURE OF ELJEN SYSTEM.

TEST HOLE DATA



- DATE: 11/21/07
- TH1 ELEV. 102.45
0"-3" A, SIL, 10YR 3/2
3"-28" Bw, CB, G, SL, 10YR 5/6
28"-40" Bc, CB, G, SL, 2.5YR 5/4
40"-78" C, ST, CB, G, LS 5YR 7/2
78"-100" C2, ST, CB, G, SL, 2.5YR 5/3
NO LEDGE AT 100"
ESHW: 36" ELEV. 99.45
- TH2 ELEV. 101.8
0"-8" A, SIL, 10YR 3/2
8"-20" Bw, CB, G, SL, 10YR 5/6
20"-36" Bc, CB, G, SL, 2.5YR 6/4
36"-76" C, ST, CB, G, LS 5YR 7/2
76"-100" C2, ST, CB, G, SL, 2.5YR 5/3
NO LEDGE AT 100"
ESHW: 26" ELEV. 99.63

DESIGN DATA
SOIL CATEGORY: 6
DESIGN LOADING RATE: .70 MIN/INCH
FIELD SIZE: ELJEN, TWO LINES
18 UNITS TOTAL
504 SQUARE FEET

