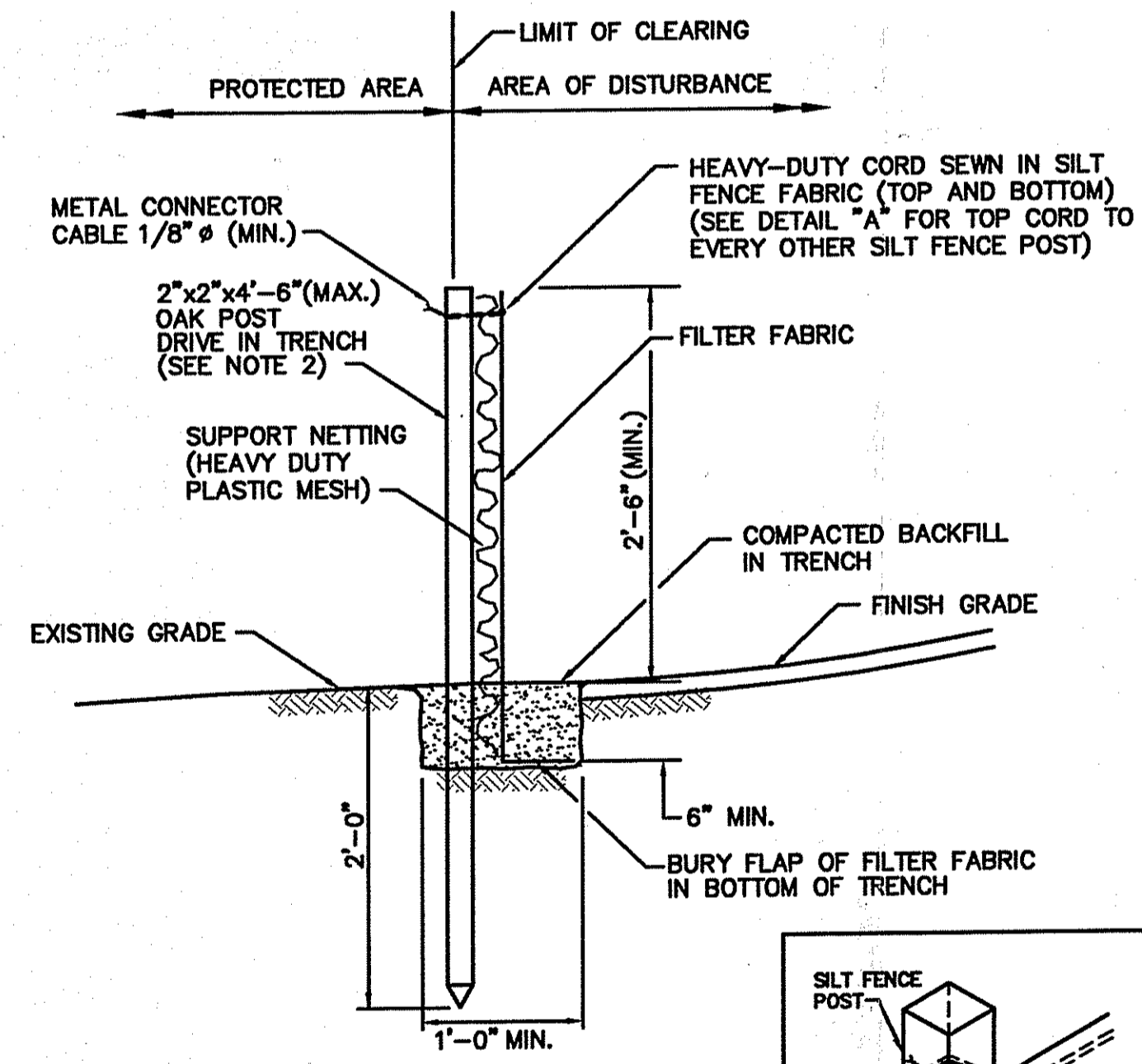


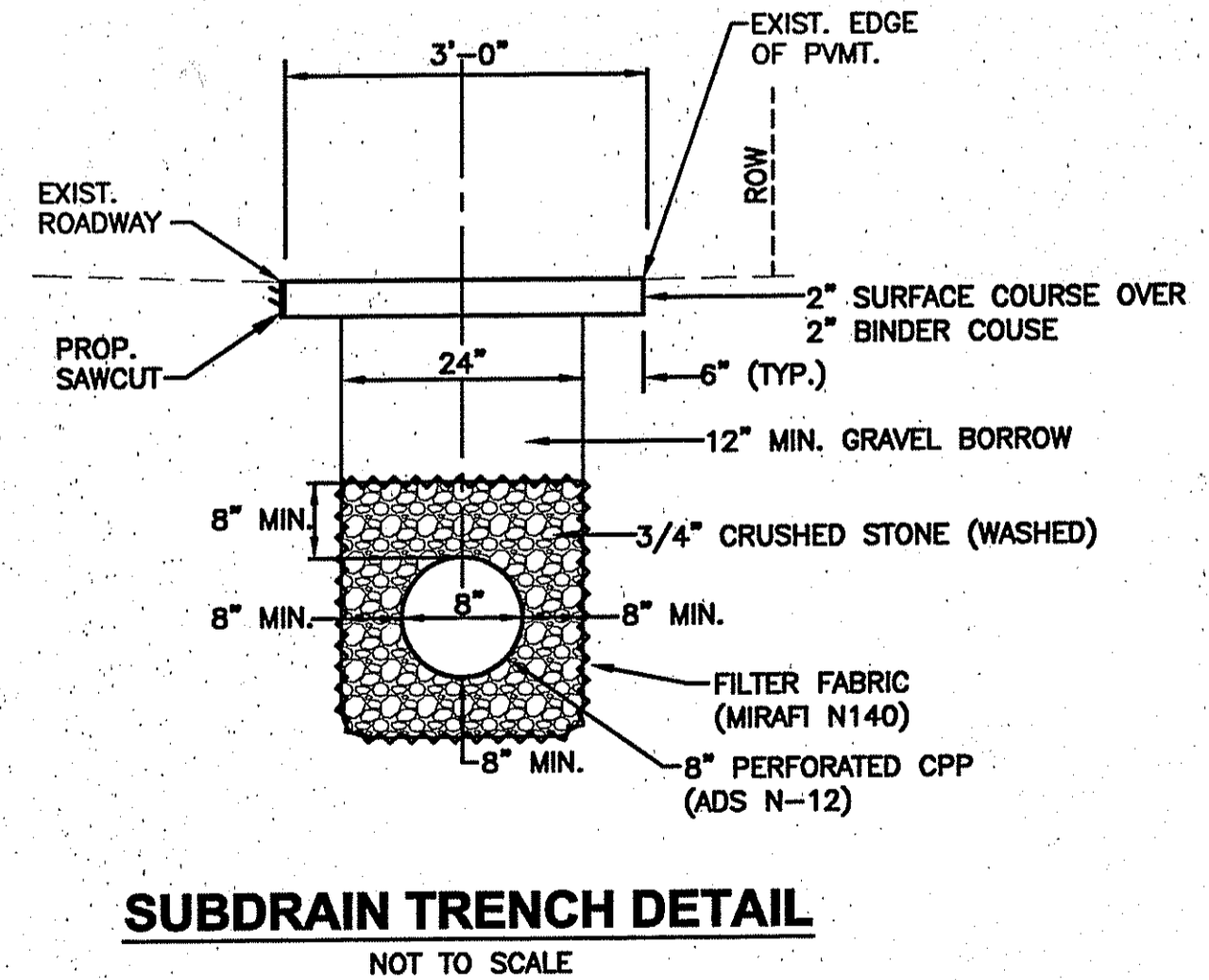
NOTE:
 1. A REQUEST FOR REGULATORY APPLICABILITY SHOULD BE MADE WITH RIDEM TO DETERMINE IF THE PROPOSED DISCHARGE LOCATION WILL REQUIRE A PERMIT.
 2. REFERENCE IS MADE TO RIDEM INSIGNIFICANT ALTERATION PERMIT NO. 03-0546 FOR EASTERN VILLAGES SEWER EXPANSION.

DEPARTMENT OF ENVIRONMENTAL MANAGEMENT
 OFFICE OF WATER RESOURCES
 FRESHWATER WETLANDS PROGRAM
 APPROVED WITH CONDITIONS
 AS SPECIFIED IN THE LETTER OF APPROVAL
 DATED JUL 14 2009 FILE # 08-0145
 NO CHANGES ALLOWED WITHOUT PRIOR APPROVAL.
 APPROVED PLANS MUST BE AT CONSTRUCTION SITE.
Stephen Sanchez

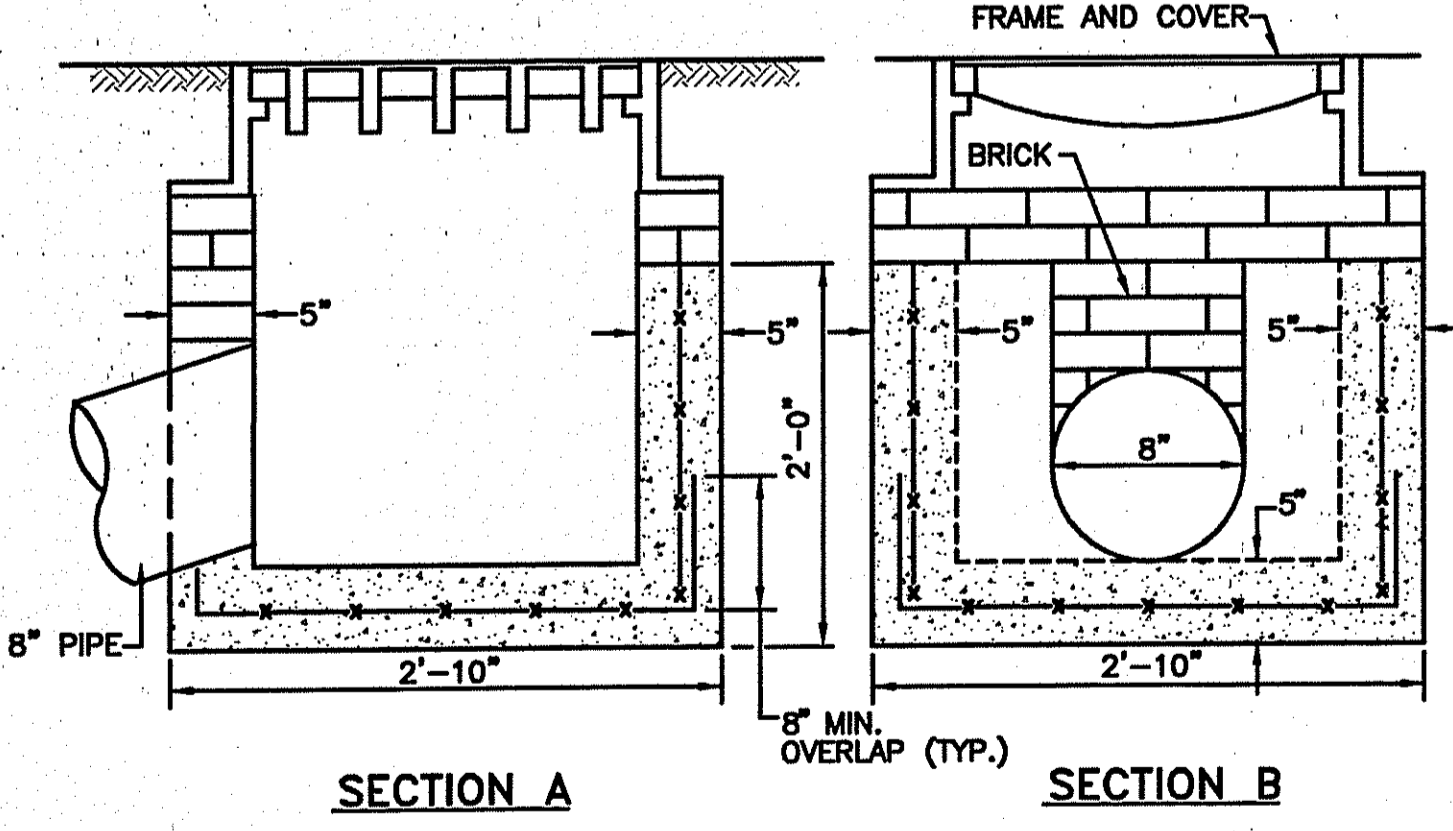


NOTES:
 1. SHALL BE IN ACCORDANCE WITH SECTION 206 OF THE R.I. STANDARD SPECIFICATIONS.
 2. 2"x2"x4"-6" (MAX.) OAK POSTS FOR SILT FENCE SHALL BE LOCATED 8'-0" (MAX.) O.C. IN WETLAND AREAS AND 4'-0" (MAX.) O.C. IN WETLAND RAVINE, GULLY OR DROP-OFF AREAS AS SHOWN ON PLANS.
 3. 1"x1"x4"-6" (MIN.) POSTS PERMITTED FOR PRE-FABRICATED SILT FENCE.
 4. SILT FENCE SHALL BE INSTALLED BEFORE ANY GRUBBING OR EARTH EXCAVATION TAKES PLACE.

R.I. STANDARD
9.2.0



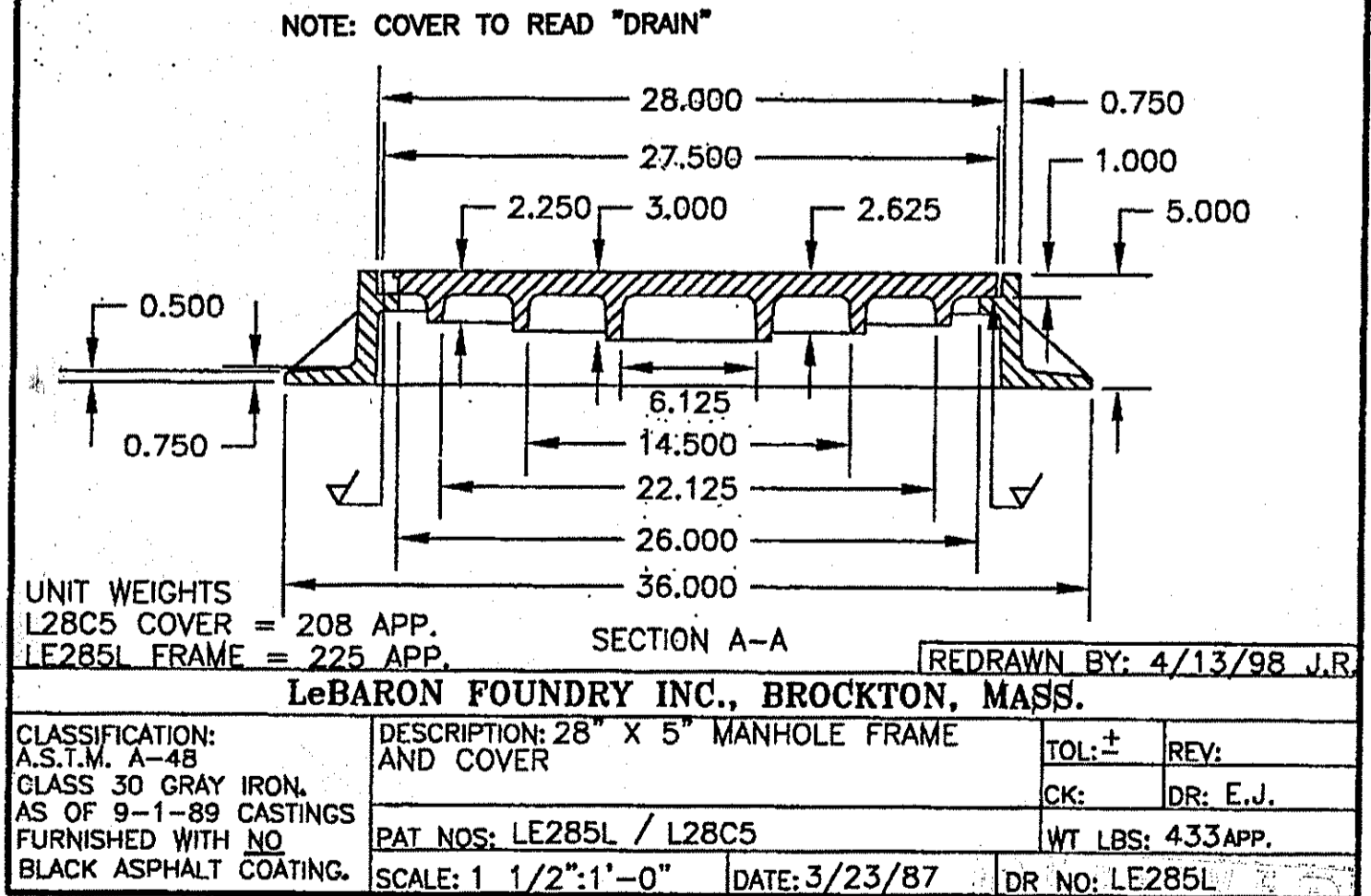
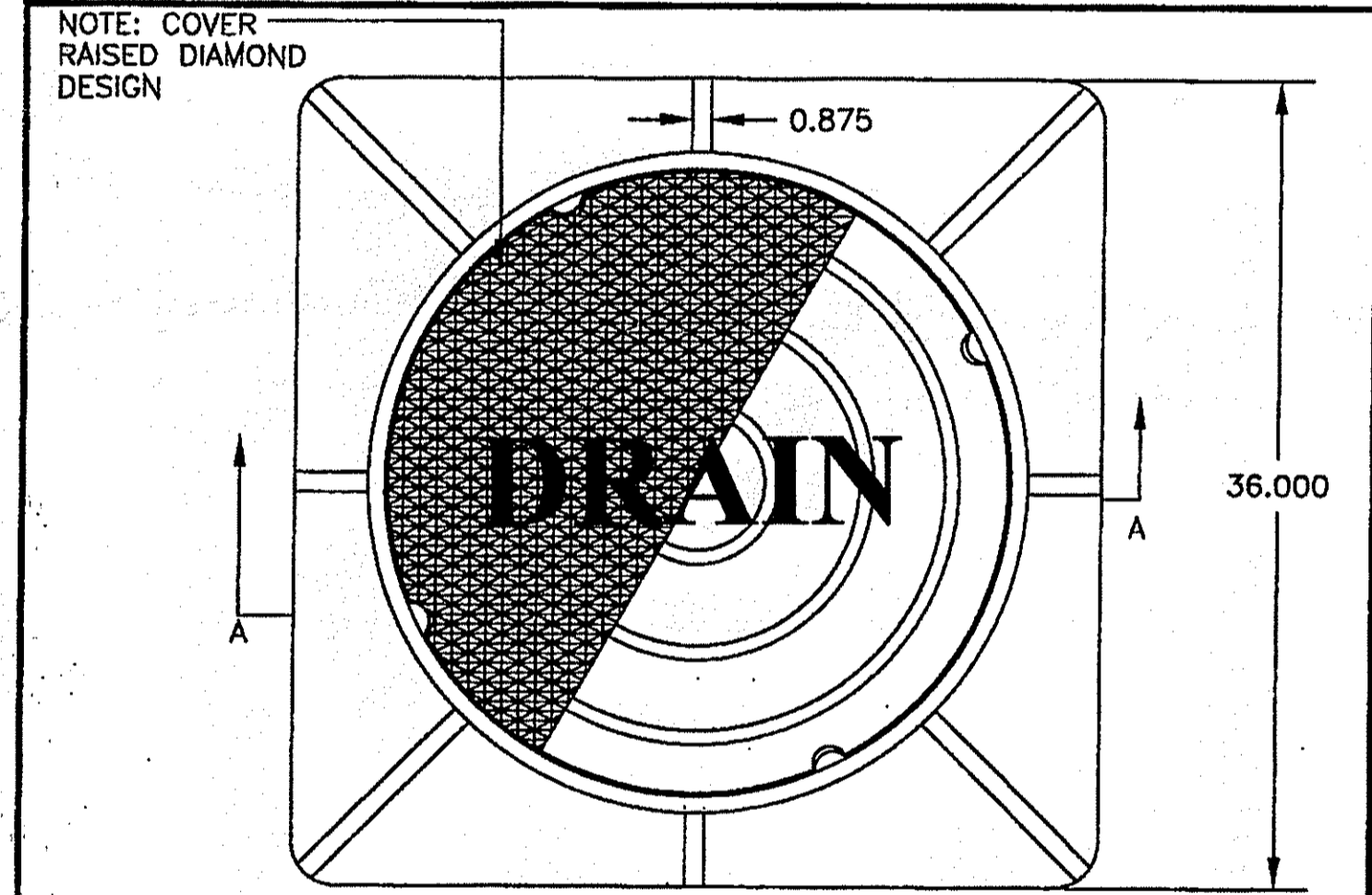
SUBDRAIN TRENCH DETAIL
 NOT TO SCALE



SECTION A
SECTION B
PRECAST CONCRETE DROP INLET
 NOT TO SCALE
 R.I. STANDARD
4.5.0

CONCRETE TOLERANCES	
DIMENSION	TOLERANCE
0" - 12"	1/4"
12" - 24"	1/2"
24" - 36"	3/4"

NOTES:
 1. SHALL BE IN ACCORDANCE WITH SECTION 702 OF THE R.I. STANDARD SPECIFICATIONS.
 2. MINIMUM REQUIRED CONCRETE REINFORCEMENT = 0.12 SQ. IN./LIN. FT. (EACH WAY).
 3. MINIMUM COVER ON REINFORCEMENT SHALL BE 2".



UNIT WEIGHTS
 L28C5 COVER = 208 APP.
 LE285L FRAME = 225 APP.
 CLASSIFICATION: A.S.T.M. A-48
 GLASS 30 GRAY IRON
 AS OF 9-1-89 CASTINGS
 FURNISHED WITH NO BLACK ASPHALT COATING.
 DESCRIPTION: 28" X 5" MANHOLE FRAME AND COVER
 PAT NOS: LE285L / L28C5
 SCALE: 1 1/2":1'-0"
 TOI: ±
 CK: DR: E.J.
 WT LBS: 433 APP.
 DR NO: LE285L
 REDRAWN BY: 4/13/98 J.R.
 LeBARON FOUNDRY INC., BROCKTON, MASS.

MAY 12 2008

N:\2800s\2827 Joslin Rd Burrillville\2827 Joslin Rd Subdrain.dwg

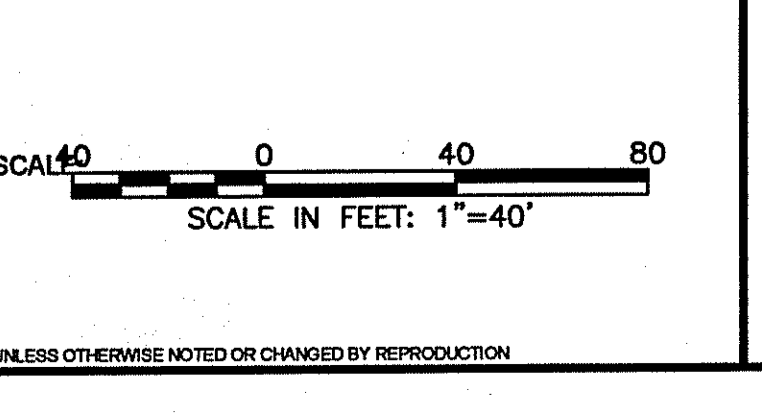
NUMBER	DATE	MADE BY	CHECKED BY	DESCRIPTION
1	4/8/08	JPS	KMA	SILT FENCE/EROSION CONTROL @ DISCHARGE

DRAWN BY: MJZ
 DESIGNED BY: KMA
 CHECKED BY: WS

KEVIN M. AGUIAR
 8913
 REGISTERED PROFESSIONAL ENGINEER (CIVIL)

BETA Group, Inc.
 Engineers • Scientists • Planners

6 Blackstone Valley Place
 Lincoln, RI 02865
 401.333.2382
 email: BETA@BETA-INC.COM



TOWN OF BURRILLVILLE, RHODE ISLAND

JOSLIN ROAD SUBDRAIN

JOB	2827
PLOT DATE:	Apr. 08, 2008 2:04pm
ISSUE DATE	3/28/08
SHEET	1