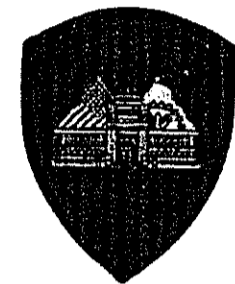


STATE OF RHODE ISLAND
DONALD L. CARCIERI, GOVERNOR

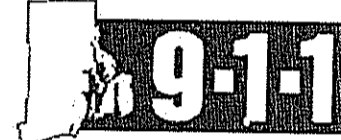
STATE OF RHODE ISLAND
DEPARTMENT OF ADMINISTRATION
JEROME WILLIAMS, DIRECTOR

DIVISION OF CAPITAL PROJECTS
AND PROPERTY MANAGEMENT

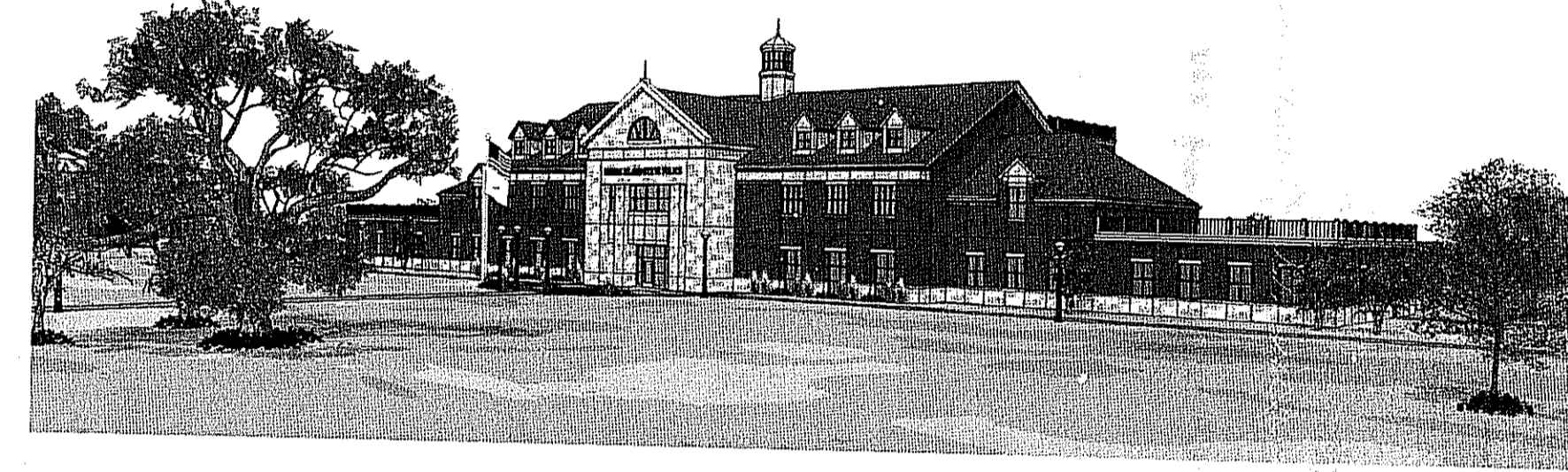


STATE OF RHODE ISLAND
RHODE ISLAND STATE POLICE

RHODE ISLAND E 9-1-1
UNIFORM EMERGENCY
TELEPHONE SYSTEM



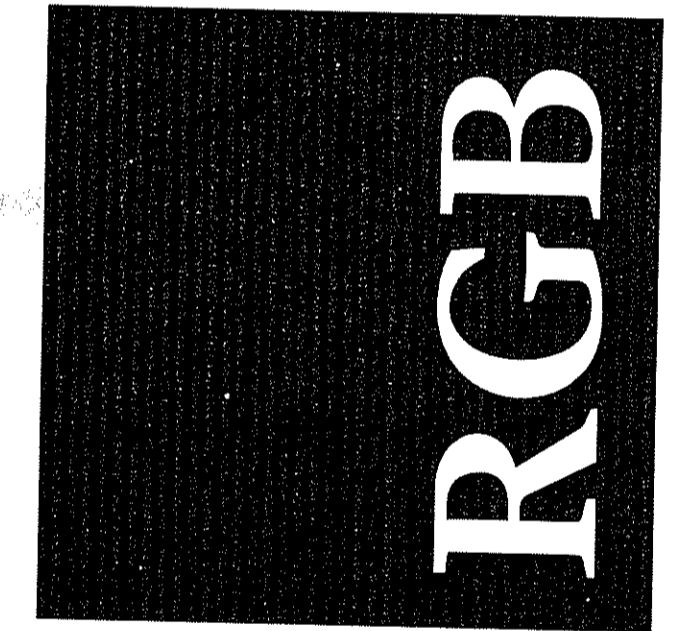
RHODE ISLAND STATE POLICE NEW HEADQUARTERS & RHODE ISLAND E 9-1-1 PRIMARY PUBLIC SAFETY ANSWERING POINT FACILITY



NORTH SCITUATE, RHODE ISLAND

50 Holden Street · Providence, Rhode Island 02908
www.rgb.net

Architecture · Engineering · Interior Design

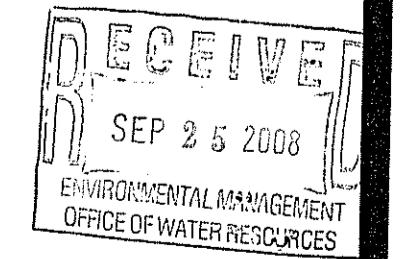


LIST OF DRAWINGS

	COVER	
CIVIL		LANDSCAPE
AP32	ASSESSOR'S PLAT PLAN	L100 LANDSCAPE PLAN
C100	SURVEY	L101 HARDSCAPE & LANDSCAPE DETAILS PLAN
C101	SURVEY	
C200	SITE PREPARATION PLAN	ARCHITECTURAL
C300	LAYOUT PLAN	A201 EXTERIOR BUILDING ELEVATIONS
C400	SITE & GRADING PLAN	
C401	GRADING PLAN SCALE: 1" = 20'	ELECTRICAL
C402	GRADING PLAN SCALE: 1" = 20'	E000 ELECTRICAL SITE PLAN
C403	GRADING PLAN SCALE: 1" = 20'	
C404	GRADING PLAN SCALE: 1" = 20'	
C405	GRADING PLAN - ALTERNATES SCALE: 1" = 20'	
C500	UTILITY PLAN	
C600	NOTES & DETAILS	
C601	DETAILS	
C602	DETAILS	
C603	DETAILS	
C604	DETAILS	
C605	DETAILS	
C606	DETAILS	
C607	DETAILS	
C608	DETAILS	
C609	DETAILS	
C610	DETAILS	

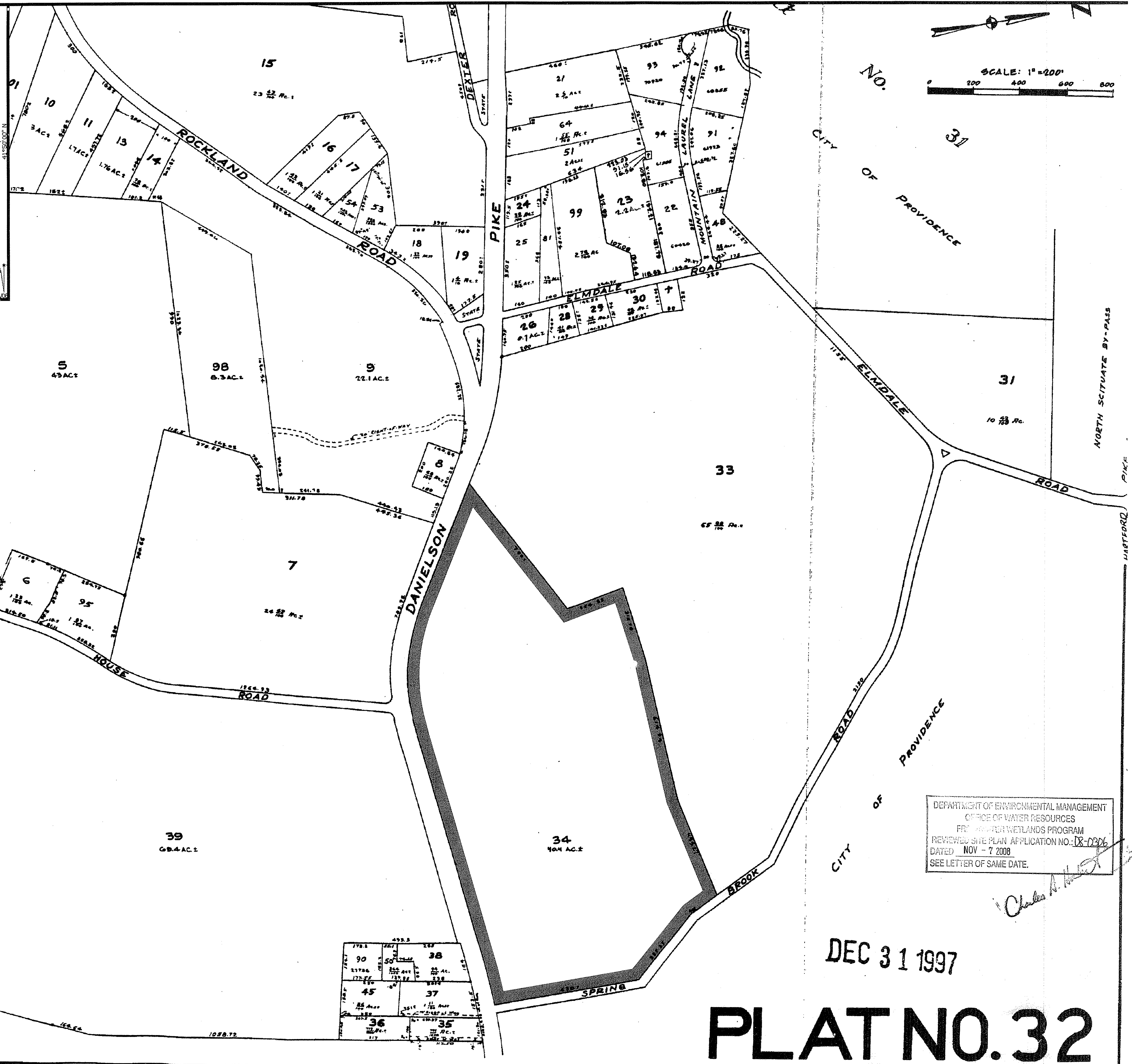
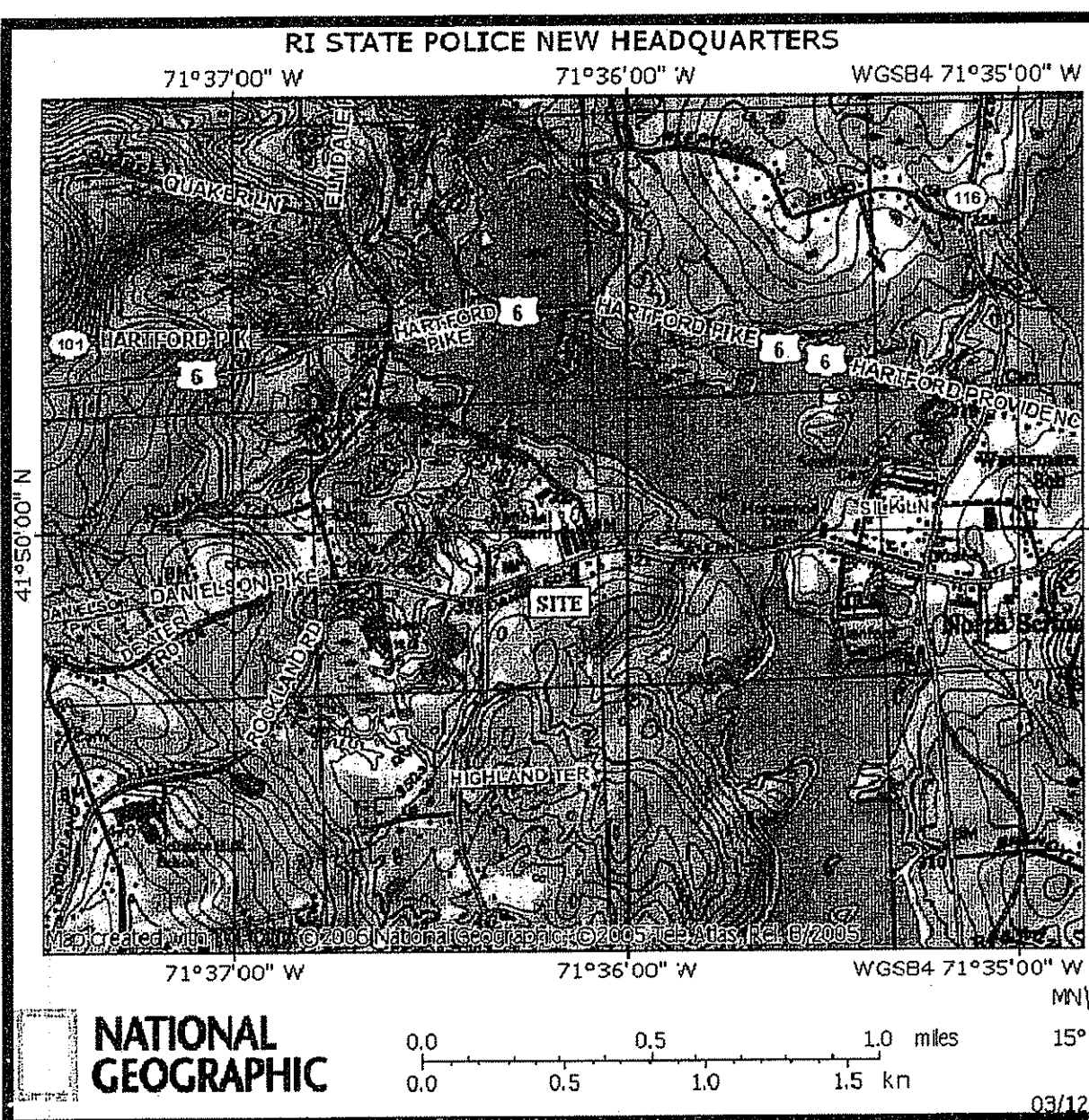
DEPARTMENT OF ENVIRONMENTAL MANAGEMENT
OFFICE OF WATER RESOURCES
FRESHWATER WETLANDS PROGRAM
REVIEWED SITE PLAN APPLICATION NO.: 08-0806
DATED NOV - 7 2008
SEE LETTER OF SAME DATE.

Charles H. [Signature]



STATUS: WETLANDS APPLICATION

DATE: 9/19/2008

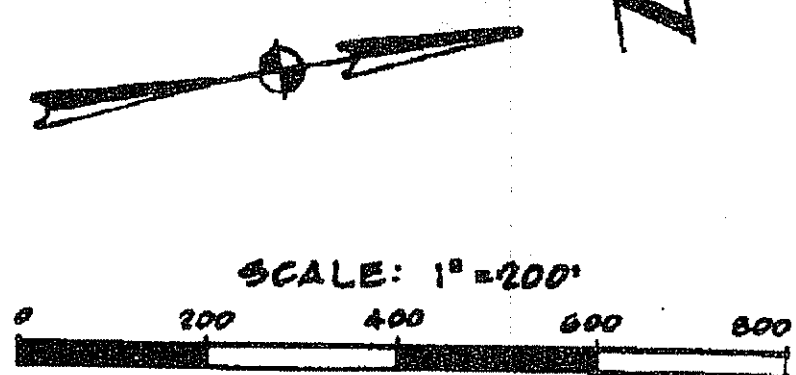


DEPARTMENT OF ENVIRONMENTAL MANAGEMENT
 OFFICE OF WATER RESOURCES
 REVIEWED FOR WETLANDS PROGRAM
 REVIEWED SITE PLAN APPLICATION NO.: DR-0306
 DATED NOV - 7 2008
 SEE LETTER OF SAME DATE.

Charles A. [Signature]

DEC 31 1997

PLAT NO. 32



This drawing is copyrighted and is subject to copyright protection as an architectural work under 17 U.S.C. Sec. 101 et seq. The protection includes but is not limited to the overall form as well as the arrangement and composition of spaces, materials, color and elements in the design. Under such protection, unauthorized use of this drawing may result in the cessation of construction or buildings being ordered and/or monetary compensation being awarded to The Robinson Green Beretta Corporation (RGB).
 Any reproduction, possession, or use of this drawing or any part thereof without the express written permission of RGB, is prohibited. Violators will be prosecuted to the full extent of the law.
 © RGB 2008

Certification

 9/19/08

Drawn by MAD, JND
 Checked by RJF
 Revised on

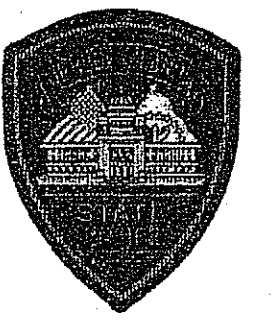
NOTICE of DOCUMENT SECURITY REQUIREMENTS
 PROPERTY OF THE RHODE ISLAND STATE GOVERNMENT
 COPYING, DISSEMINATION, OR DISTRIBUTION OF THESE DRAWINGS, PLANS OR SPECIFICATIONS TO UNAUTHORIZED PERSONS IS STRICTLY PROHIBITED.
 DO NOT REMOVE THIS NOTICE!
 Return Documents to Authorized Locations For Destruction as Delineated in Project Manual.
 These documents shall not be reproduced without the exclusive written permission of the Owner under any circumstances. Authorization can be obtained from the Owner as defined in the project manual.

50 Holden Street
 Providence, Rhode Island 02908
 Phone: (401) 272-7130
 Fax: (401) 278-7150
 E-mail: rgbinfo@rgb.net
 www.rgb.net



Architecture · Engineering · Interior Design

Project **RHODE ISLAND STATE POLICE NEW HEADQUARTERS**



&
RHODE ISLAND E9-1-1 NEW PRIMARY PUBLIC SAFETY ANSWERING POINT FACILITY



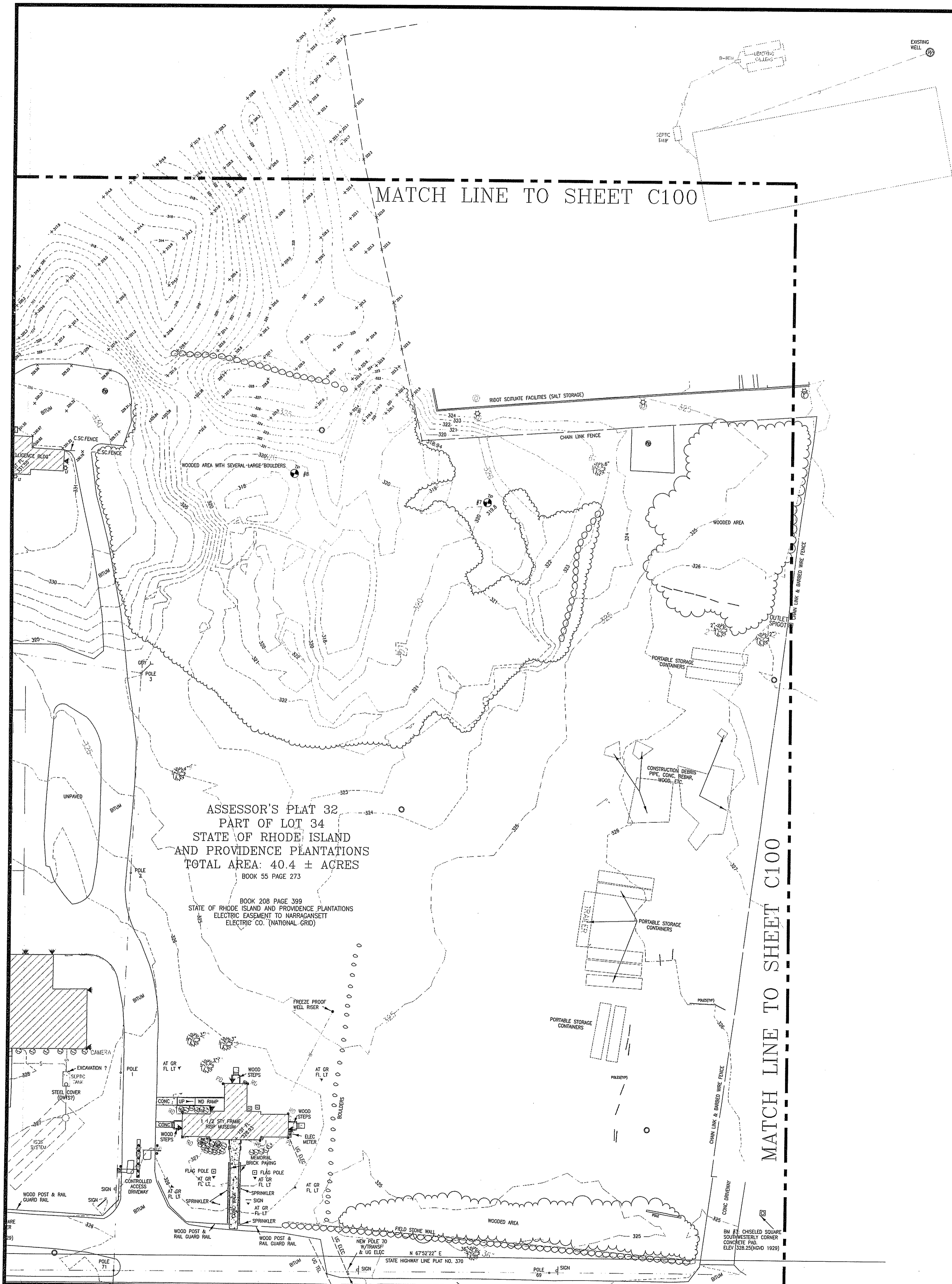
A.P. 32 LOT 34
 NORTH SCITUATE, RHODE ISLAND

Drawing Status
FOR PERMITTING

Issued On 9/19/2008
 Sheet Contents

ASSESSOR'S PLAT PLAN
 SCALE: 1" = 200'
 SEP 25 2008

Project Number: 5732
 Drawing No. **AP32**
 Sheet 1 of 27



NOTES - LEGEND - ABBREVIATIONS

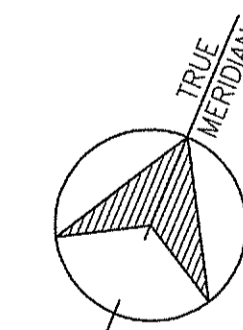
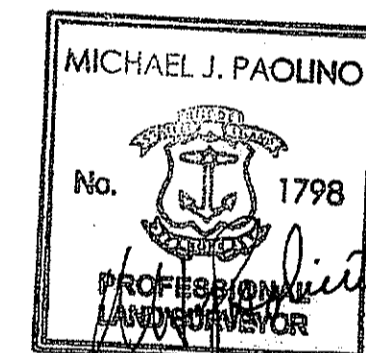
- PROJECT COORDINATES ARE BASED ON NAD83 RECTANGULAR GRID SYSTEM DERIVED FROM GPS OBSERVATIONS ON FEBRUARY 24, 2008.
- VERTICAL DATUM OF ELEVATIONS IS BASED ON NAVD1989 (MEAN SEA LEVEL).
- UNDERGROUND UTILITIES SHOWN HEREON ARE BASED ON ABOVE GROUND STRUCTURES OBSERVED AND LOCATED, AND ON PLANS AND DATA PROVIDED THE SURVEYOR.

ABAND	ABANDONED	EDH	ELECTRIC HANDHOLE	MON	MONUMENT
ABGND	ABOVEGROUND	ELEC	ELECTRIC	PKG	PARKING
BTM	BELOWGROUND	ELEV	ELEVATION	RIBS	RHODE ISLAND HIGHWAY BOUND
BLOC	BUILDING	FL LT	FLOOD LIGHT	RISP	RHODE ISLAND STATE POLICE
CONC	CONCRETE	FL	FLOOR	ST LT	STREET LIGHT
CONC2	CONCRETE	GR	GROUND	STY	STORY
CONC3	CONCRETE	GRN	GRASS	UG	UNDERGROUND
CONC4	CONCRETE	GRN2	GRASS	WD	WOOD
C.S.C.	CEDIP SCREEN	GRN3	GRASS	1ST FL	FIRST FLOOR
DM	DRAWER	GRN4	GRASS		
		GRN5	GRASS		
		GRN6	GRASS		
		GRN7	GRASS		
		GRN8	GRASS		
		GRN9	GRASS		
		GRN10	GRASS		
		GRN11	GRASS		
		GRN12	GRASS		
		GRN13	GRASS		
		GRN14	GRASS		
		GRN15	GRASS		
		GRN16	GRASS		
		GRN17	GRASS		
		GRN18	GRASS		
		GRN19	GRASS		
		GRN20	GRASS		
		GRN21	GRASS		
		GRN22	GRASS		
		GRN23	GRASS		
		GRN24	GRASS		
		GRN25	GRASS		
		GRN26	GRASS		
		GRN27	GRASS		
		GRN28	GRASS		
		GRN29	GRASS		
		GRN30	GRASS		
		GRN31	GRASS		
		GRN32	GRASS		
		GRN33	GRASS		
		GRN34	GRASS		
		GRN35	GRASS		
		GRN36	GRASS		
		GRN37	GRASS		
		GRN38	GRASS		
		GRN39	GRASS		
		GRN40	GRASS		
		GRN41	GRASS		
		GRN42	GRASS		
		GRN43	GRASS		
		GRN44	GRASS		
		GRN45	GRASS		
		GRN46	GRASS		
		GRN47	GRASS		
		GRN48	GRASS		
		GRN49	GRASS		
		GRN50	GRASS		
		GRN51	GRASS		
		GRN52	GRASS		
		GRN53	GRASS		
		GRN54	GRASS		
		GRN55	GRASS		
		GRN56	GRASS		
		GRN57	GRASS		
		GRN58	GRASS		
		GRN59	GRASS		
		GRN60	GRASS		
		GRN61	GRASS		
		GRN62	GRASS		
		GRN63	GRASS		
		GRN64	GRASS		
		GRN65	GRASS		
		GRN66	GRASS		
		GRN67	GRASS		
		GRN68	GRASS		
		GRN69	GRASS		
		GRN70	GRASS		
		GRN71	GRASS		
		GRN72	GRASS		
		GRN73	GRASS		
		GRN74	GRASS		
		GRN75	GRASS		
		GRN76	GRASS		
		GRN77	GRASS		
		GRN78	GRASS		
		GRN79	GRASS		
		GRN80	GRASS		
		GRN81	GRASS		
		GRN82	GRASS		
		GRN83	GRASS		
		GRN84	GRASS		
		GRN85	GRASS		
		GRN86	GRASS		
		GRN87	GRASS		
		GRN88	GRASS		
		GRN89	GRASS		
		GRN90	GRASS		
		GRN91	GRASS		
		GRN92	GRASS		
		GRN93	GRASS		
		GRN94	GRASS		
		GRN95	GRASS		
		GRN96	GRASS		
		GRN97	GRASS		
		GRN98	GRASS		
		GRN99	GRASS		
		GRN100	GRASS		

CERTIFICATE:

STATE HIGHWAY LINES SHOWN HEREON CONFORM TO A CLASS B STANDARD AS ADOPTED BY THE RHODE ISLAND BOARD OF REGISTRATION FOR PROFESSIONAL LAND SURVEYORS.

Michael J. Paolino
PROFESSIONAL LAND SURVEYOR DATE 8-26-08



EXISTING CONDITIONS SURVEY
RHODE ISLAND STATE POLICE FACILITIES
DANIELSON PIKE, NORTH SCITUATE, RHODE ISLAND

FEBRUARY 28, 2008

REVISED MAY 6, 2008: ADDITIONAL DETAIL AND TOPOGRAPHY



Gilbert & Maloney
Engineers & Land Surveyors
170 Rhodes Street
Providence, RI 02903
Tel: 401-521-3133
Fax: 401-521-3170
E-mail: mike@gilbertandmaloney.com
4054M1.dwg

Certification

Drawn by

Checked by

Revised on

NOTICE of DOCUMENT SECURITY REQUIREMENTS

PROPERTY OF THE RHODE ISLAND STATE GOVERNMENT

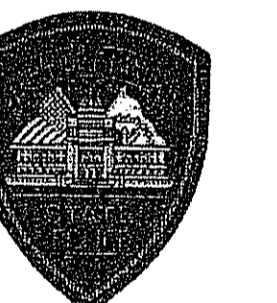
COPYING, DISSEMINATION, OR DISTRIBUTION OF THESE DRAWINGS, PLANS OR SPECIFICATIONS TO UNAUTHORIZED PERSONS IS STRICTLY PROHIBITED.

DO NOT REMOVE THIS NOTICE!

Return Documents to Authorized Locations For Destruction as Delineated in Project Manual.

These documents shall not be reproduced without the exclusive written permission of the Owner under any circumstances. Authorization can be obtained from the Owner as defined in the project manual.

Project **RHODE ISLAND STATE POLICE NEW HEADQUARTERS**



&
RHODE ISLAND E9-1-1 NEW PRIMARY PUBLIC SAFETY ANSWERING POINT FACILITY



A.P. 32 LOT 34 NORTH SCITUATE, RHODE ISLAND

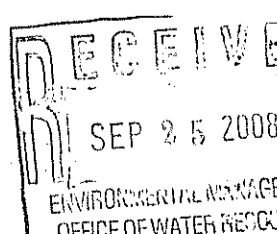
Drawing Status

ISSUED FOR CONSTRUCTION

Issued On 5/6/2008

Sheet Contents

SURVEY
SCALE: 1" = 40'



Project Number 5732

Drawing No.

C101

Sheet 2 of 27

EXISTING CONDITIONS SURVEY
RHODE ISLAND STATE POLICE FACILITIES
DANIELSON PIKE, NORTH SCITUATE, RHODE ISLAND

FEBRUARY 28, 2008

REVISED MAY 6, 2008: ADDITIONAL DETAIL AND TOPOGRAPHY

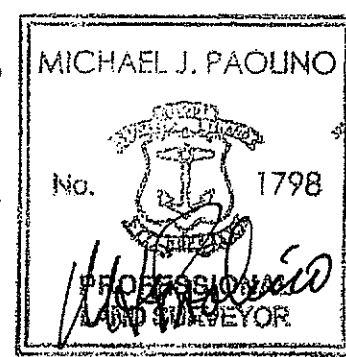
MATCH LINE TO SHEET C101

NOTES - LEGEND - ABBREVIATIONS

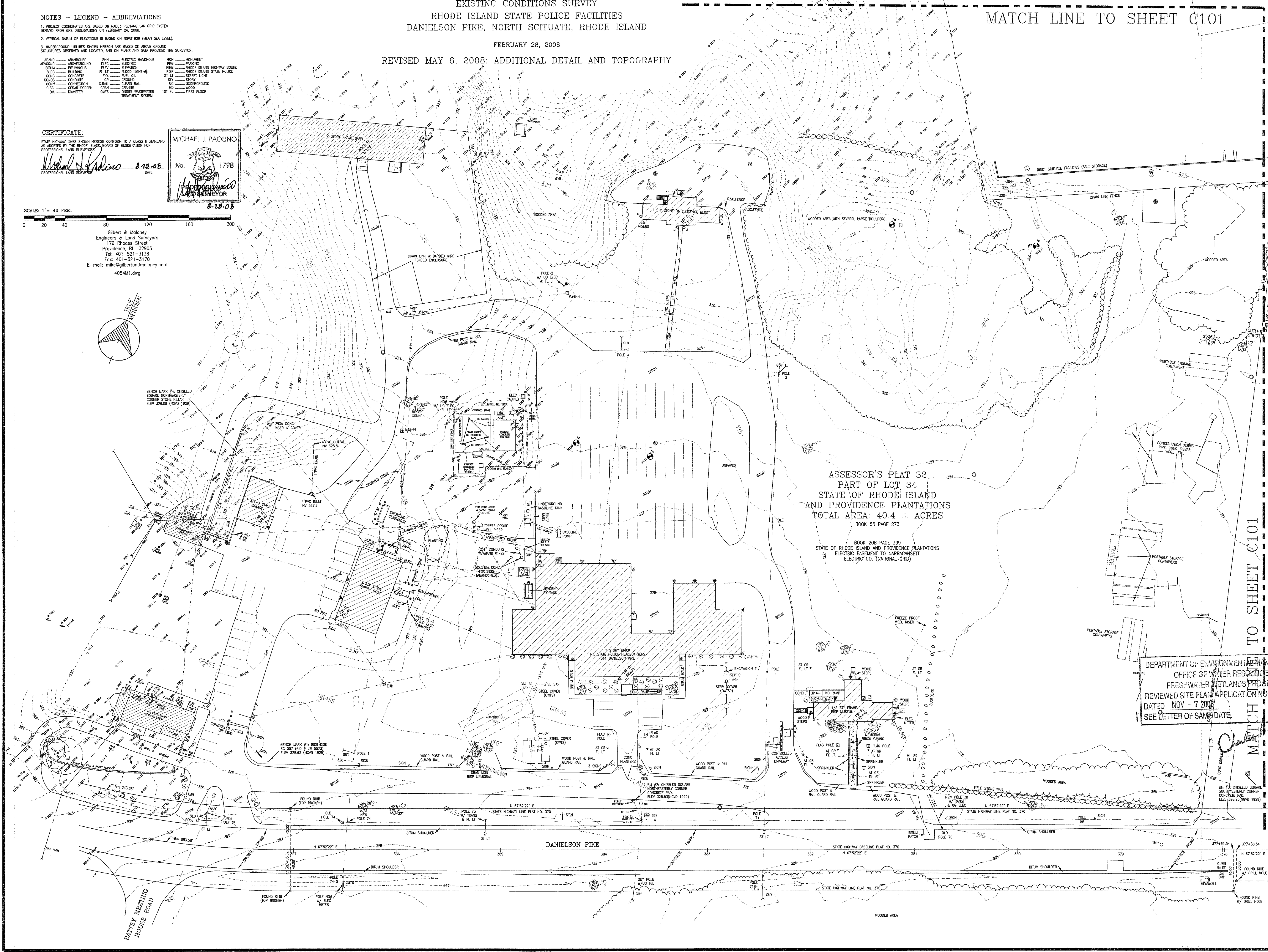
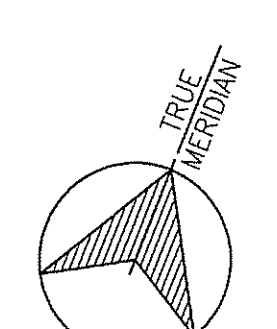
- PROJECT COORDINATES ARE BASED ON NAD83 RECTANGULAR GRID SYSTEM DERIVED FROM GPS OBSERVATIONS ON FEBRUARY 24, 2008.
- VERTICAL DATUM OF ELEVATIONS IS BASED ON NAVD83 (MEAN SEA LEVEL).
- UNDERGROUND UTILITIES SHOWN HEREIN ARE BASED ON ABOVE GROUND STRUCTURES OBSERVED AND LOCATED, AND ON PLANS AND DATA PROVIDED BY THE SURVEYOR.

ABAND	ABANDONED	ELC	ELECTRIC	MON	MONUMENT
ABGND	ABOVEGROUND	ELEV	ELEVATION	PRD	PROVIDED
BRUM	BITUMINOUS	FL LT	FLOOR LIGHT	RHB	RHODE ISLAND HIGHWAY BOUND
BLC	BUILDING	F.O.	FUEL OIL	RS	RHODE ISLAND STATE POLICE
CONC	CONCRETE	ST LT	STREET LIGHT	ST	STAKE
CONG	CONDUITS	ST	STAKE	UC	UNDERGROUND
CON	CONCRETE	UC	UNDERGROUND	W	WOOD
CSC	CEMENT SCREEN	W/UC	WOOD UNDERGROUND	1ST FL	FIRST FLOOR
DW	DRAINAGE	W/UC	WOOD UNDERGROUND		
		W/UC	WOOD UNDERGROUND		
		W/UC	WOOD UNDERGROUND		

CERTIFICATE:
STATE HIGHWAY LINES SHOWN HEREIN CONFORM TO A CLASS 1 STANDARD AS ADOPTED BY THE RHODE ISLAND BOARD OF REGISTRATION FOR PROFESSIONAL LAND SURVEYORS.
Michael J. Paolino 8-28-08
PROFESSIONAL LAND SURVEYOR DATE



SCALE: 1" = 40 FEET
0 20 40 80 120 160 200
Gilbert & Maloney
Engineers & Land Surveyors
170 Rhodes Street
Providence, RI 02903
Tel: 401-521-3138
Fax: 401-521-3170
E-mail: mjk@gilbertmaloney.com
4054M1.dwg



ASSESSOR'S PLAT 32
PART OF LOT 34
STATE OF RHODE ISLAND
AND PROVIDENCE PLANTATIONS
TOTAL AREA: 40.4 ± ACRES
BOOK 55 PAGE 273
BOOK 208 PAGE 399
STATE OF RHODE ISLAND AND PROVIDENCE PLANTATIONS
ELECTRIC EASEMENT TO MARRICCASETT
ELECTRIC CO. (NATIONAL GRID)

DEPARTMENT OF ENVIRONMENTAL MANAGEMENT
OFFICE OF WATER RESOURCES
FRESHWATER WETLANDS PROGRAM
REVIEWED SITE PLAN APPLICATION NO. 08-0206
DATED NOV - 7 2008
SEE LETTER OF SAME DATE

Certification
Drawn by
Checked by
Revised on
NOTICE of DOCUMENT SECURITY REQUIREMENTS
PROPERTY OF THE RHODE ISLAND STATE GOVERNMENT
COPYING, DISSEMINATION, OR DISTRIBUTION OF THESE DRAWINGS, PLANS OR SPECIFICATIONS TO UNAUTHORIZED PERSONS IS STRICTLY PROHIBITED.
DO NOT REMOVE THIS NOTICE!
Return Documents to Authorized Locations For Destruction as Delineated in Project Manual.
These documents shall not be reproduced without the exclusive written permission of the Owner under any circumstances. Authorization can be obtained from the Owner as defined in the project manual.

Project **RHODE ISLAND STATE POLICE NEW HEADQUARTERS**
Rhode Island State Police
9-1-1
A.P. 32 LOT 34 NORTH SCITUATE, RHODE ISLAND

Drawing Status **ISSUED FOR CONSTRUCTION**
Issued On 5/6/2008
Sheet Contents
SURVEY SCALE: 1" = 40'
Project Number 6732
Drawing No. **C100**
Sheet 3 of 27

NOTES - EXISTING LEGEND - ABBREVIATIONS

- PROJECT COORDINATES ARE BASED ON NAD83 RECTANGULAR GRID SYSTEM DERIVED FROM GPS OBSERVATIONS ON FEBRUARY 24, 2008.
 - VERTICAL DATUM OF ELEVATIONS IS BASED ON MEAN SEA LEVEL.
 - UNDERGROUND UTILITIES SHOWN HEREIN ARE BASED ON ABOVE GROUND STRUCTURES OBSERVED AND LOCATED, AND ON PLANS AND DATA PROVIDED THE SURVEYOR.
- | | | | | | |
|-------|--------------|------|------------------------------------|-----|----------------------------|
| ABAND | ABANDONED | ELC | ELECTRIC | NON | NON-REINFORCED |
| ADW | ADWASING | ELC | ELECTRIC | PRC | PARKING |
| BTM | BOTTOM | FL | FLOOR LIGHT | RHS | RHODE ISLAND HIGHWAY BOARD |
| BUC | BUILDING | F.O. | FUEL OIL | RIS | RHODE ISLAND STATE POLICE |
| CONC | CONCRETE | GR | GROUND | ST | STREET LIGHT |
| CONG | CONCRETE | GR | GROUND | STY | STORY |
| CON | CONCRETE | GR | GROUND | WC | WOODWORK |
| C.S. | CETAR SCREEN | GRN | GRANITE | WO | WOOD |
| CR | CRACKER | QWTS | ONSITE WASTEWATER TREATMENT SYSTEM | WTF | WATER TREATMENT |

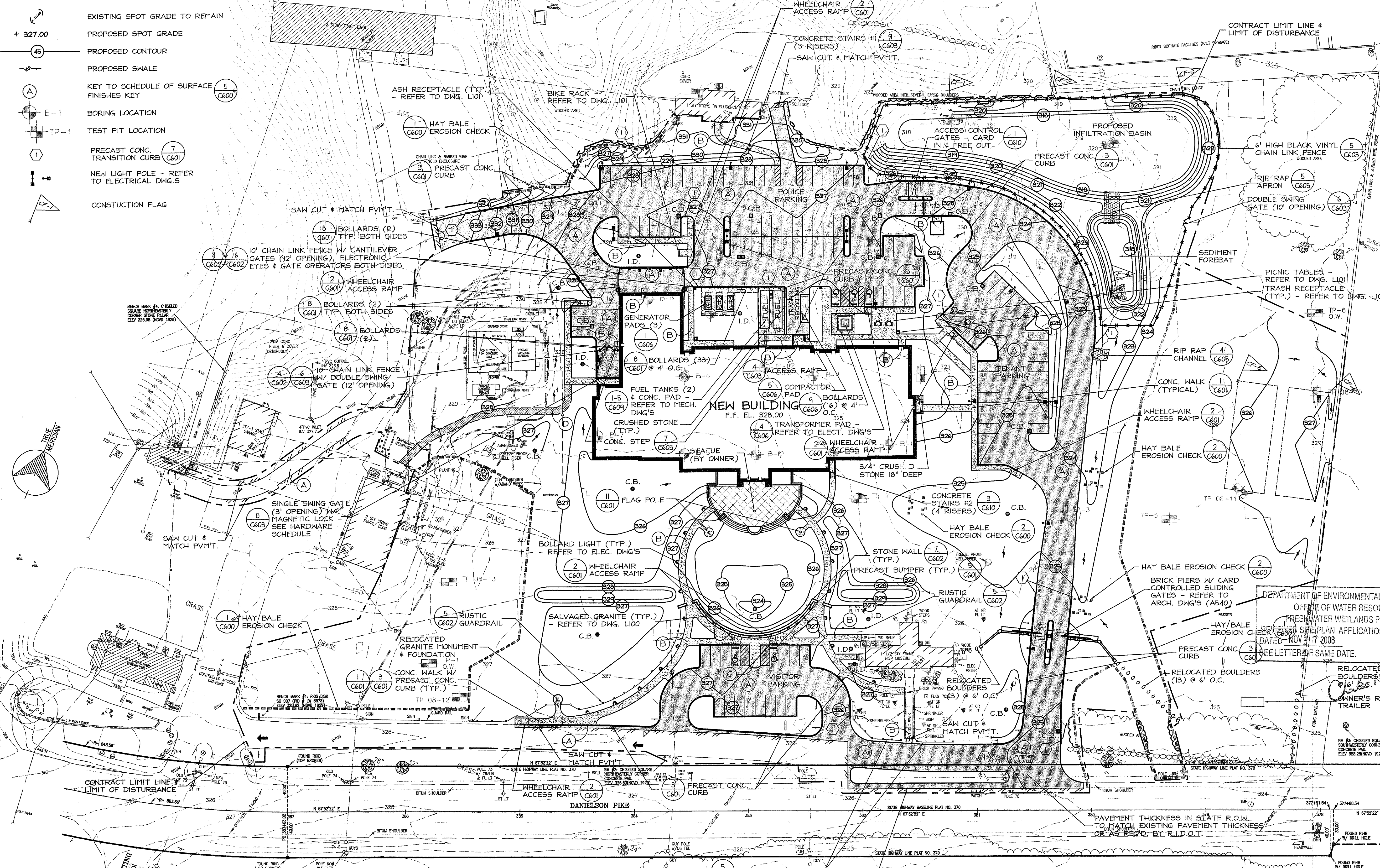
PROJECT PHASING

- PHASE I: SITE UTILITY RELOCATION PROJECT - N.I.C.
- PHASE II: NEW FACILITY PROJECT
- PHASE III: RELOCATION OF RISIP # E9-1-1 OPERATIONS INTO THE NEW FACILITY
- PHASE IV: DEMOLITION OF EXISTING RISIP ISBB FACILITY
- PHASE V: COMPLETION OF PROJECT

ASSESSOR'S PLAT 32
PART OF LOT 34
STATE OF RHODE ISLAND
AND PROVIDENCE PLANTATIONS
TOTAL AREA: 40.4 ± ACRES
BOOK 55 PAGE 273
BOOK 208 PAGE 389
STATE OF RHODE ISLAND AND PROVIDENCE PLANTATIONS
ELECTRIC EASEMENT TO NARRAGANSETT
ELECTRIC CO. (NATIONAL GRID)

PROPOSED LEGEND

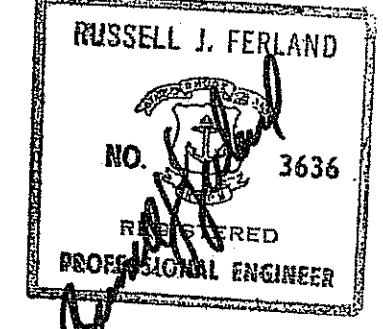
- EXISTING SPOT GRADE TO REMAIN
- PROPOSED SPOT GRADE
- PROPOSED CONTOUR
- PROPOSED SHALE
- KEY TO SCHEDULE OF SURFACE FINISHES KEY
- BORING LOCATION
- TEST PIT LOCATION
- PRECAST CONC. TRANSITION CURB
- NEW LIGHT POLE - REFER TO ELECTRICAL DWG. 5
- CONSTRUCTION FLAG



NOTE:
THE CONTRACTOR SHALL MAINTAIN VEHICLE AND PEDESTRIAN ACCESS AT ALL TIMES WHILE THE FACILITIES ARE IN OPERATION. CONTRACTOR SHALL SUBMIT A PHASING PLAN THAT MUST BE APPROVED BY THE OWNER PRIOR TO CONSTRUCTION.

THE SITE IS LOCATED IN ZONE "X" AND DOES NOT LIE WITHIN THE 100 - YEAR FLOOD PLAN AS DETERMINED FROM F.E.M.A. FLOOD INSURANCE RATE MAP.

This drawing is copyrighted and is subject to copyright protection as an "architectural work" under 17 U.S.C. Sec. 101 et seq. The protection includes but is not limited to the overall form as well as the arrangement and composition of spaces, materials, color and elements in the design. Under such protection, unauthorized use of this drawing may result in the cessation of construction or buildings being erected and/or monetary compensation being awarded to The Robinson Green Beretta Corporation (RGB).
Any reproduction, possession, or use of this drawing or any part thereof without the express written permission of RGB, is prohibited. Violators will be prosecuted to the full extent of the law.
© RGB 2008



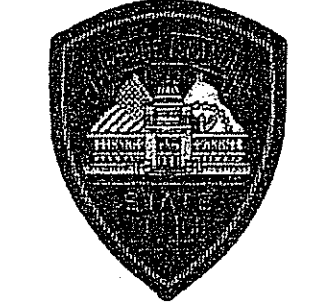
9/19/08
Drawn by MAD, JND
Checked by RJF
Revised on

NOTICE of DOCUMENT SECURITY REQUIREMENTS
PROPERTY OF THE RHODE ISLAND STATE GOVERNMENT
COPYING, DISSEMINATION, OR DISTRIBUTION OF THESE DRAWINGS, PLANS OR SPECIFICATIONS TO UNAUTHORIZED PERSONS IS STRICTLY PROHIBITED.
DO NOT REMOVE THIS NOTICE
Return Documents to Authorized Locations For Destruction as Defined in Project Manual.
These documents shall not be reproduced without the exclusive written permission of the Owner under any circumstances. Authorization can be obtained from the Owner as defined in the project manual.

50 Holden Street
Providence, Rhode Island 02908
Phone: (401) 272-1730
Fax: (401) 273-7166
E-mail: rgbinfo@rgb.net
www.rgb.net



Architecture · Engineering · Interior Design
Project **RHODE ISLAND STATE POLICE NEW HEADQUARTERS**



&
RHODE ISLAND E9-1-1 NEW PRIMARY PUBLIC SAFETY ANSWERING POINT FACILITY

DEPARTMENT OF ENVIRONMENTAL MANAGEMENT
OFFICE OF WATER RESOURCES
FRESHWATER WETLANDS PROGRAM
RELOCATED BOULDERS SITE PLAN APPLICATION NO. DR-028
DATED NOV 7 2008
SEE LETTER OF SAME DATE.



A.P. 32 LOT 34
NORTH SCITUATE, RHODE ISLAND

Drawing Status
FOR PERMITTING

Issued On 9/19/2008
Sheet Contents

SITE & GRADING PLAN
SCALE: 1" = 40'
SEP 26 2008

Project Number. 5732
Drawing No.

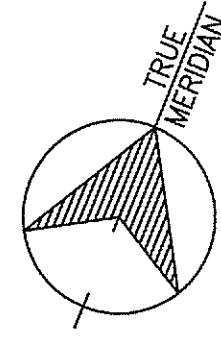
C400

Sheet 6 of 27

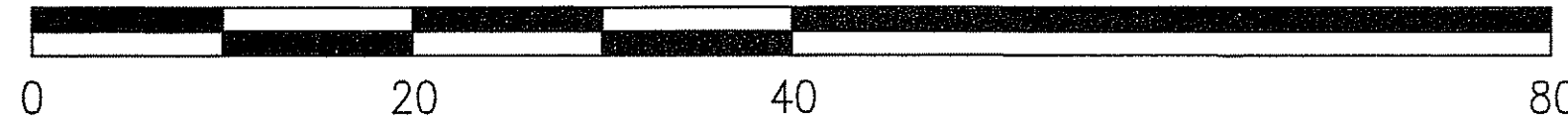
NOTES - LEGEND - ABBREVIATIONS

- PROJECT COORDINATES ARE BASED ON NAD83 RECTANGULAR GRID SYSTEM DERIVED FROM GPS OBSERVATIONS ON FEBRUARY 24, 2008.
- VERTICAL DATUM OF ELEVATIONS IS BASED ON NGVD1929 (MEAN SEA LEVEL).
- UNDERGROUND UTILITIES SHOWN HEREON ARE BASED ON ABOVE GROUND STRUCTURES OBSERVED AND LOCATED, AND ON PLANS AND DATA PROVIDED THE SURVEYOR.

ABAND	ABANDONED	EHH	ELECTRIC HANDHOLE	MON	MONUMENT
ABVGRND	ABOVEGROUND	ELEC	ELECTRIC	PKG	PARKING
BITUM	BITUMINOUS	ELEV	ELEVATION	RIHB	RHODE ISLAND HIGHWAY BOUND
BLDG	BUILDING	FL LT	FLOOD LIGHT	RISP	RHODE ISLAND STATE POLICE
CONC	CONCRETE	F.O.	FUEL OIL	ST LT	STREET LIGHT
CONDS	CONDUITS	GR	GROUND	STY	STORY
CONN	CONNECTION	G.RAIL	GUARD RAIL	UG	UNDERGROUND
C.SC.	CEDAR SCREEN	GRAN	GRANITE	WD	WOOD
DIA	DIAMETER	OWTS	ONSITE WASTEWATER TREATMENT SYSTEM	1ST FL	FIRST FLOOR



SCALE: 1" = 20 FEET



ASSESSOR'S PLAT 32
PART OF LOT 34
STATE OF RHODE ISLAND
AND PROVIDENCE PLANTATIONS
TOTAL AREA: 40.4 ± ACRES

BOOK 55 PAGE 273

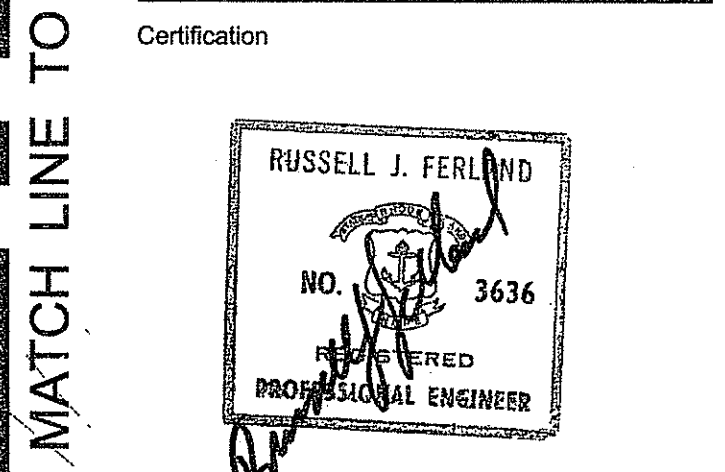
BOOK 208 PAGE 399

STATE OF RHODE ISLAND AND PROVIDENCE PLANTATIONS
ELECTRIC EASEMENT TO NARRAGANSETT
ELECTRIC CO. (NATIONAL GRID)

This drawing is copyrighted and is subject to copyright protection as an "architectural work" under 17 U.S.C. Sec. 101 et seq. The protection includes but is not limited to the overall form as well as the arrangement and composition of spaces, materials, color and elements in the design. Under such protection, unauthorized use of this drawing may result in the cessation of construction or buildings being subject and/or necessary compensation being awarded to The Robinson Green Baratta Corporation (RGB).

Any reproduction, possession, or use of this drawing or any part thereof without the express written permission of RGB, is prohibited. Violators will be prosecuted to the full extent of the law.

© RGB 2008



2/19/08
Drawn by MAD, JND
Checked by RJF
Revised on

NOTICE OF DOCUMENT SECURITY REQUIREMENTS

PROPERTY OF THE RHODE ISLAND STATE GOVERNMENT

COPIING, DISSEMINATION, OR DISTRIBUTION OF THESE DRAWINGS, PLANS OR SPECIFICATIONS TO UNAUTHORIZED PERSONS IS STRICTLY PROHIBITED.

DO NOT REMOVE THIS NOTICE!

Return Documents to Authorized Locations For Destruction as Defined in Project Manual.

These documents shall not be reproduced without the exclusive written permission of the Owner under any circumstances. Authorization can be obtained from the Owner as defined in the project manual.

50 Holden Street
Providence, Rhode Island 02908
Phone: (401) 272-1730
Fax: (401) 272-7158
E-mail: rgbinfo@rgb.net
www.rgb.net

Architecture • Engineering • Interior Design
Project **RHODE ISLAND STATE POLICE NEW HEADQUARTERS**

DEPARTMENT OF ENVIRONMENTAL MANAGEMENT
OFFICE OF WATER RESOURCES
C.B.#44 WETLAND PROGRAM
RECEIVED SITE PLAN
DATED 2/19/08
SEE LETTER OF FRAME PART
NO. CR-0206

&
RHODE ISLAND E9-1 NEW PRIMARY PUBLIC SAFETY ANSWERING POINT FACILITY

A.P. 32 LOT 34
NORTH SITUATE, RHODE ISLAND

Drawing Status
FOR PERMITTING

Issued On 9/19/2008

Sheet Contents
GRADING PLAN
SCALE: 1"=20'

Project Number 5732

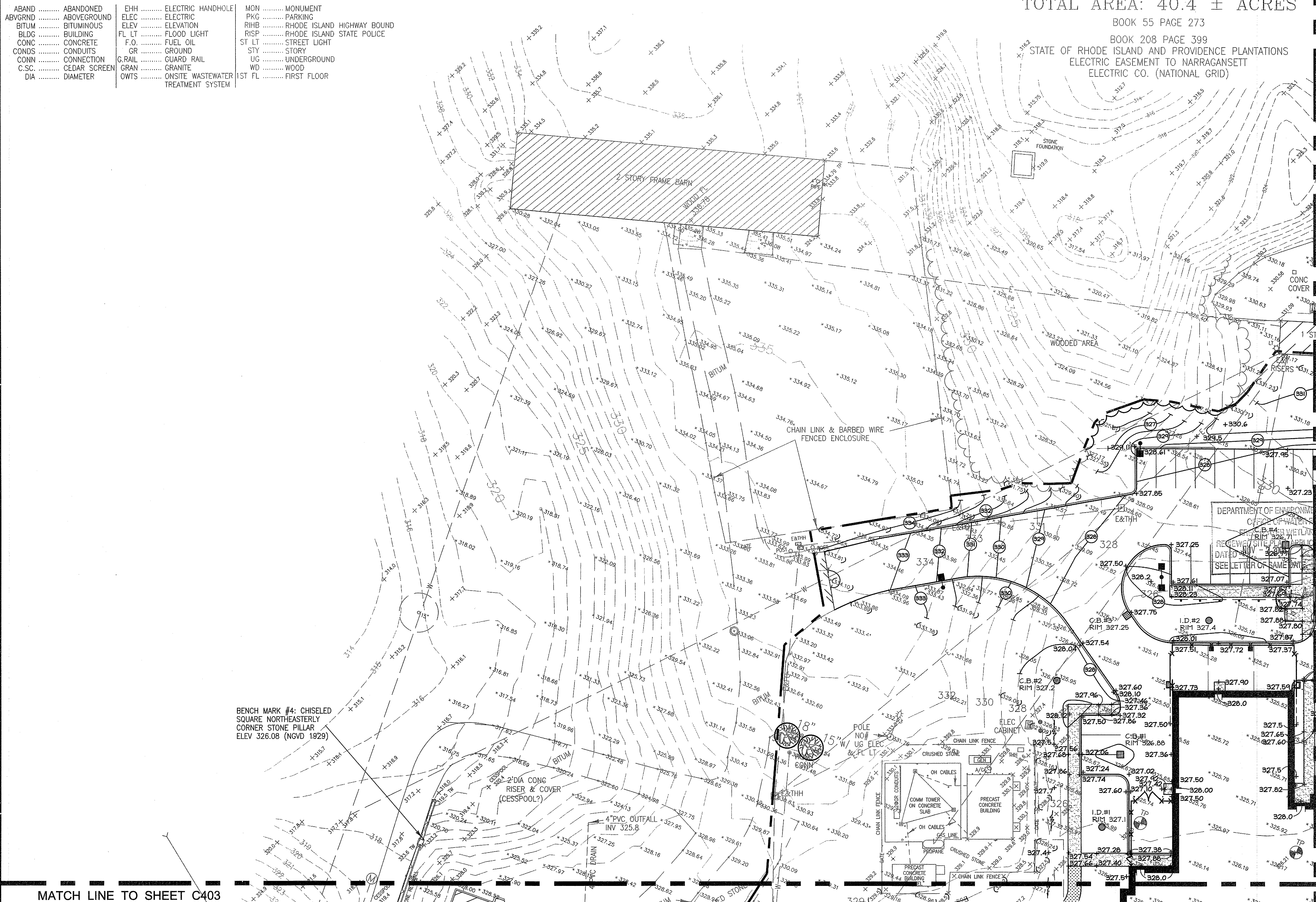
Drawing No.

C401
Sheet 7 of 27

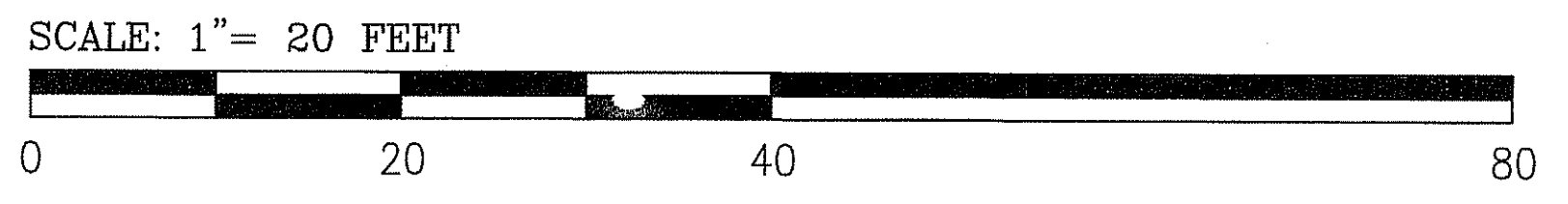
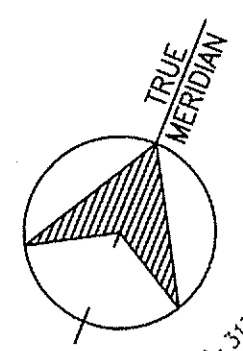
BENCH MARK #4: CHISELED SQUARE NORTHEASTERLY CORNER STONE PILLAR ELEV 326.08 (NGVD 1929)

MATCH LINE TO SHEET C403

MATCH LINE TO SHEET C402

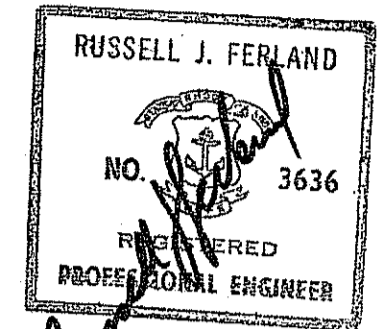


MATCH LINE TO SHEET C401



CONTRACT LIMIT LINE & LIMIT OF DISTURBANCE

This drawing is copyrighted and is subject to copyright protection as an "architectural work" under 17 U.S.C. Sec. 101 et seq. The protection includes but is not limited to the overall form as well as the arrangement and composition of spaces, materials, color and elements in the design. Under such protection, unauthorized use of this drawing may result in the cessation of construction or buildings being seized and/or monetary compensation being awarded to The Robinson Green Beretta Corporation (RGCB).
Any reproduction, possession, or use of this drawing or any part thereof without the express written permission of RGCB, is prohibited. Violators will be prosecuted to the full extent of the law.
© RGB 2008



9/19/08

Drawn by MAD, JND
Checked by R/JF
Revised on

NOTICE OF DOCUMENT SECURITY REQUIREMENTS

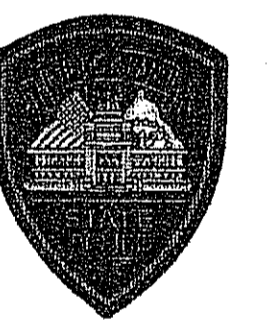
PROPERTY OF THE RHODE ISLAND STATE GOVERNMENT
COPYING, DISSEMINATION, OR DISTRIBUTION OF THESE DRAWINGS, PLANS OR SPECIFICATIONS TO UNAUTHORIZED PERSONS IS STRICTLY PROHIBITED.
DO NOT REMOVE THIS NOTICE!
Return Documents to Authorized Locations For Destruction as Delineated in Project Manual.
These documents shall not be reproduced without the exclusive written permission of the Owner under any circumstances. Authorization can be obtained from the Owner as defined in the project manual.

50 Holden Street
Providence, Rhode Island 02908
Phone: (401) 272-1730
Fax: (401) 272-7156
E-mail: rgbinfo@rgb.net
www.rgb.net



Architecture • Engineering • Interior Design
Project **RHODE ISLAND STATE POLICE NEW HEADQUARTERS**

DEPARTMENT OF ENVIRONMENTAL MANAGEMENT
OFFICE OF WATER RESOURCES
FRESHWATER WETLANDS PROGRAM
REVIEWED SITE PLAN APPLICATION NO. 08-0306
DATED NOV - 7 2008
SEE LETTER OF SAME DATE.



&
RHODE ISLAND E9-11 NEW PRIMARY PUBLIC SAFETY ANSWERING POINT FACILITY



A.P. 32 LOT 34
NORTH SCITUATE, RHODE ISLAND

FOR PERMITTING

Issued On 9/19/2008

Sheet Contents

GRADING PLAN
SCALE: 1"=20'

Project Number 5792

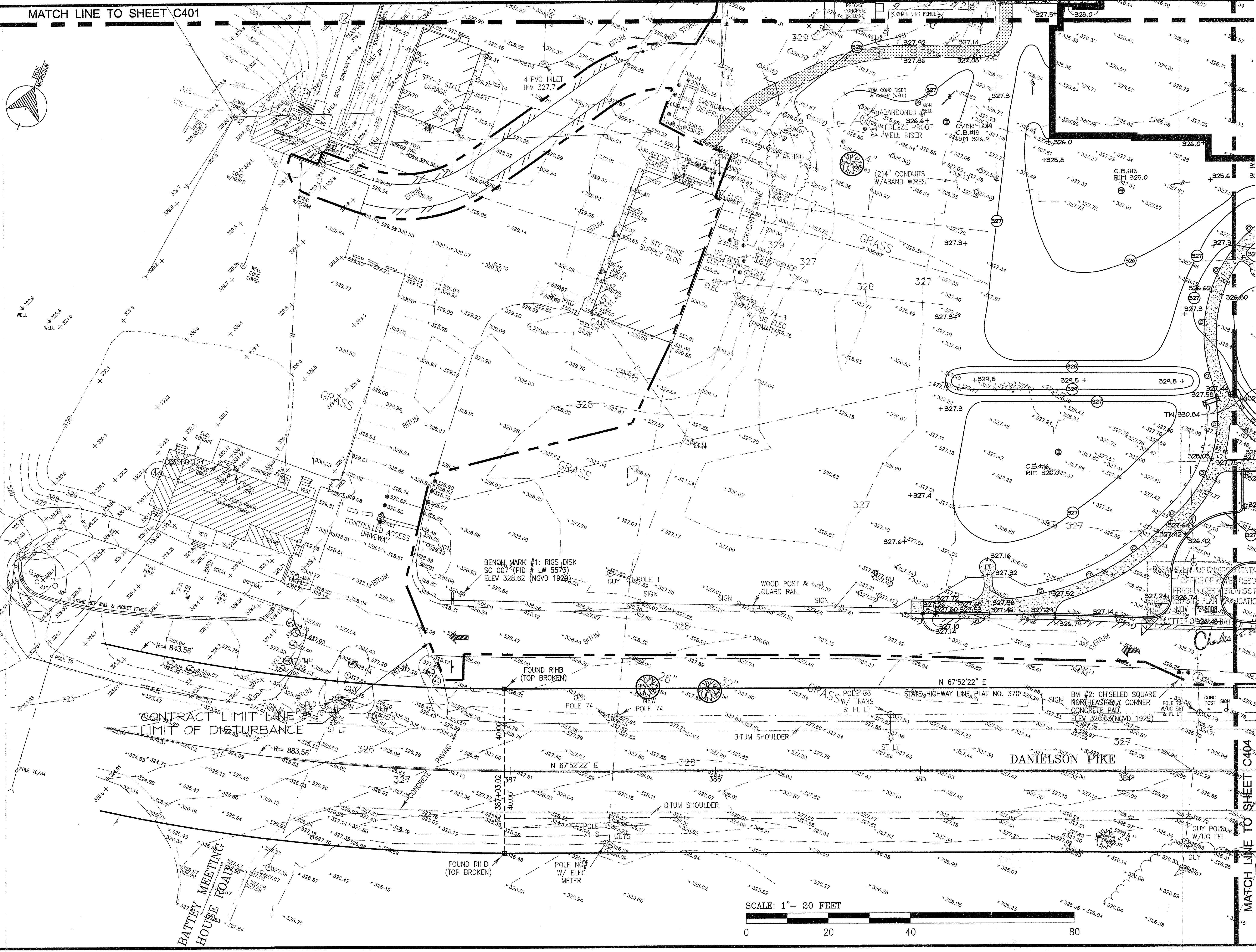
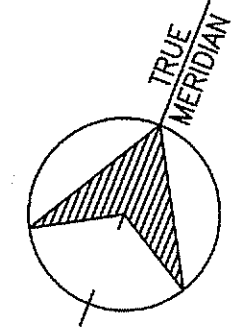
Drawing No.

C402

Sheet 8 of 27

MATCH LINE TO SHEET C404

MATCH LINE TO SHEET C401

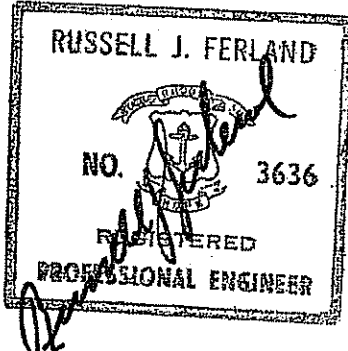


This drawing is copyrighted and is subject to copyright protection as an architectural work under 17 U.S.C. Sec. 101 et seq. The production includes but is not limited to the overall form as well as the arrangement and composition of spaces, materials, color and elements in the design. Under such protection, unauthorized use of this drawing may result in the cessation of construction or buildings being seized and/or monetary compensation being awarded to The Robinson Green Beretta Corporation (RGB).

Any reproduction, possession, or use of this drawing or any part thereof without the express written permission of RGB, is prohibited. Violators will be prosecuted to the full extent of the law.

© RGB 2008

Certification



9/19/08

Drawn by MAD, JND

Checked by RJF

Revised on

NOTICE of DOCUMENT SECURITY REQUIREMENTS

PROPERTY OF THE RHODE ISLAND STATE GOVERNMENT

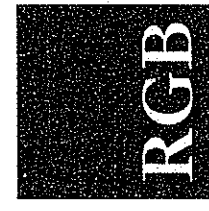
COPYING, DISSEMINATION, OR DISTRIBUTION OF THESE DRAWINGS, PLANS OR SPECIFICATIONS TO UNAUTHORIZED PERSONS IS STRICTLY PROHIBITED.

DO NOT REMOVE THIS NOTICE!

Return Documents to Authorized Locations For Destruction as Indicated in Project Manual.

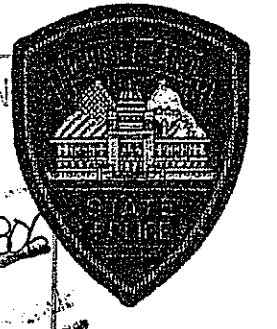
These documents shall not be reproduced without the exclusive written permission of the Owner under any circumstances. Authorization can be obtained from the Owner as defined in the project manual.

50 Holden Street
Providence, Rhode Island 02908
Phone: (401) 272-1730
Fax: (401) 273-7158
E-mail: rgbinfo@rgb.net
www.rgb.net

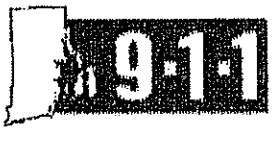


Architecture · Engineering · Interior Design

Project **RHODE ISLAND STATE POLICE NEW HEADQUARTERS**



&
RHODE ISLAND E9-1-1 NEW PRIMARY PUBLIC SAFETY ANSWERING POINT FACILITY



A.P. 32 LOT 34 NORTH SCITUATE, RHODE ISLAND

Drawing Status **FOR PERMITTING**

Issued On 9/19/2008

Sheet Contents

GRADING PLAN
SCALE: 1"=20'

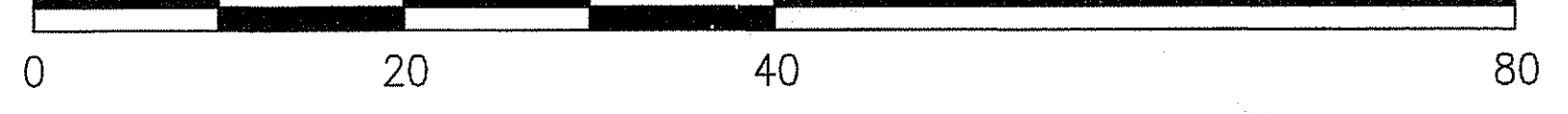
Project Number 5732

Drawing No.

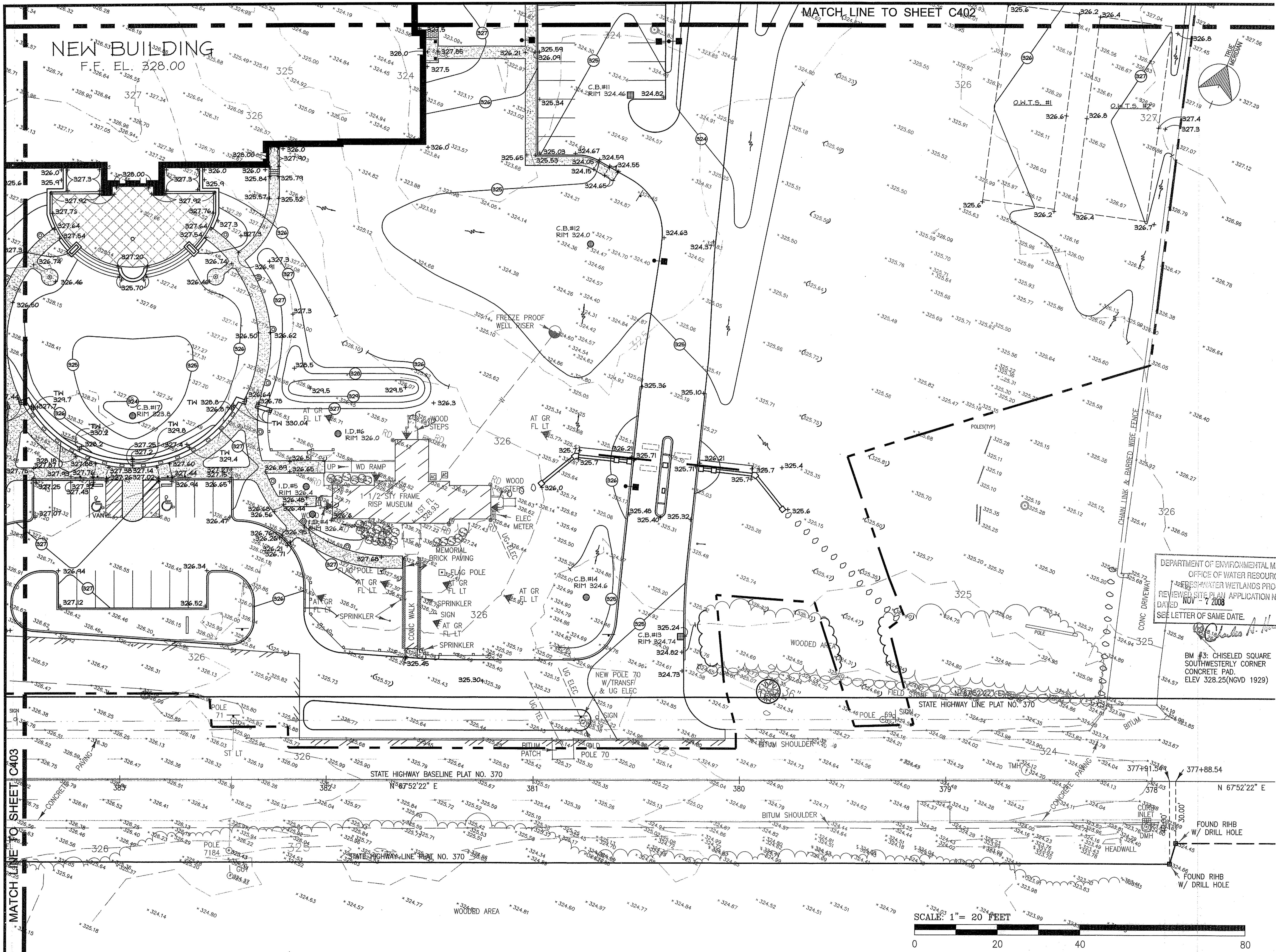
C403

Sheet 9 of 21

SCALE: 1" = 20 FEET



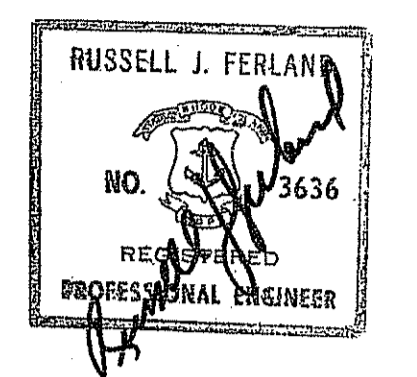
MATCH LINE TO SHEET C404



This drawing is copyrighted and is subject to copyright protection as an "architectural work" under 17 U.S.C. Sec. 101 et seq. The protection includes but is not limited to the overall form as well as the arrangement and composition of spaces, materials, color and elements in the design. Under such protection, unauthorized use of this drawing may result in the cessation of construction or buildings being erected and/or monetary compensation being awarded to The Robinson Green Beretta Corporation (RGB).

Any reproduction, possession, or use of this drawing or any part thereof without the express written permission of RGB, is prohibited. Violators will be prosecuted to the full extent of the law.

© RGB 2008



9/19/08

Drawn by MAD, JND
Checked by RJF
Revised on

NOTICE of DOCUMENT SECURITY REQUIREMENTS

PROPERTY OF THE RHODE ISLAND STATE GOVERNMENT

COPIING, DISSEMINATION, OR DISTRIBUTION OF THESE DRAWINGS, PLANS OR SPECIFICATIONS TO UNAUTHORIZED PERSONS IS STRICTLY PROHIBITED.

DO NOT REMOVE THIS NOTICE

Return Documents to Authorized Locations For Destruction as Delineated in Project Manual.

These documents shall not be reproduced without the exclusive written permission of the Owner under any circumstances. Authorization can be obtained from the Owner as defined in the project manual.

50 Holden Street
Providence, Rhode Island 02908
Phone: (401) 272-1730
Fax: (401) 273-7158
E-mail: rgbinfo@rgb.net
www.rgb.net

Architecture · Engineering · Interior Design



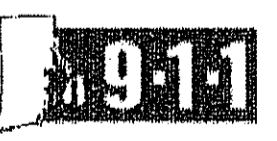
Project **RHODE ISLAND STATE POLICE NEW HEADQUARTERS**

DEPARTMENT OF ENVIRONMENTAL MANAGEMENT
OFFICE OF WATER RESOURCES
FRESHWATER WETLANDS PROGRAM
REVIEWED SITE PLAN APPLICATION NO. 18-0306
DATED NOV - 7 2008
SEE LETTER OF SAME DATE.



BM #3: CHISELED SQUARE
SOUTHWESTERLY CORNER
CONCRETE PAD.
ELEV 328.25(NGVD 1929)

&
**RHODE ISLAND E9-1-1
NEW PRIMARY
PUBLIC SAFETY
ANSWERING POINT
FACILITY**



A.P. 32 LOT 34
NORTH SITUATE, RHODE ISLAND

FOR PERMITTING

Issued On 9/19/2008

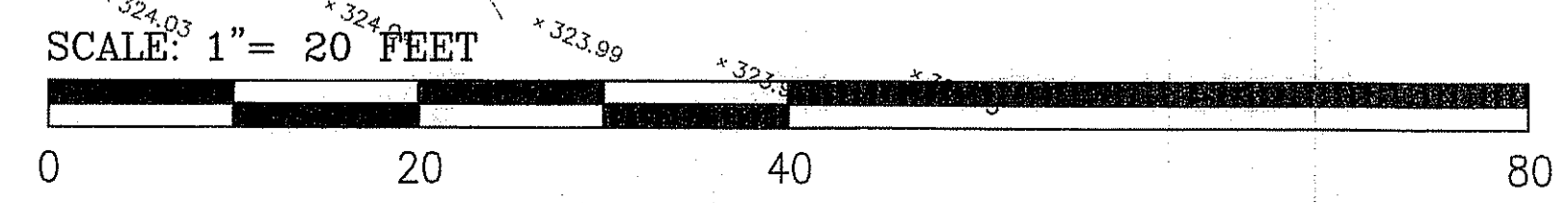
Sheet Contents
GRADING PLAN
SCALE: 1"=20'

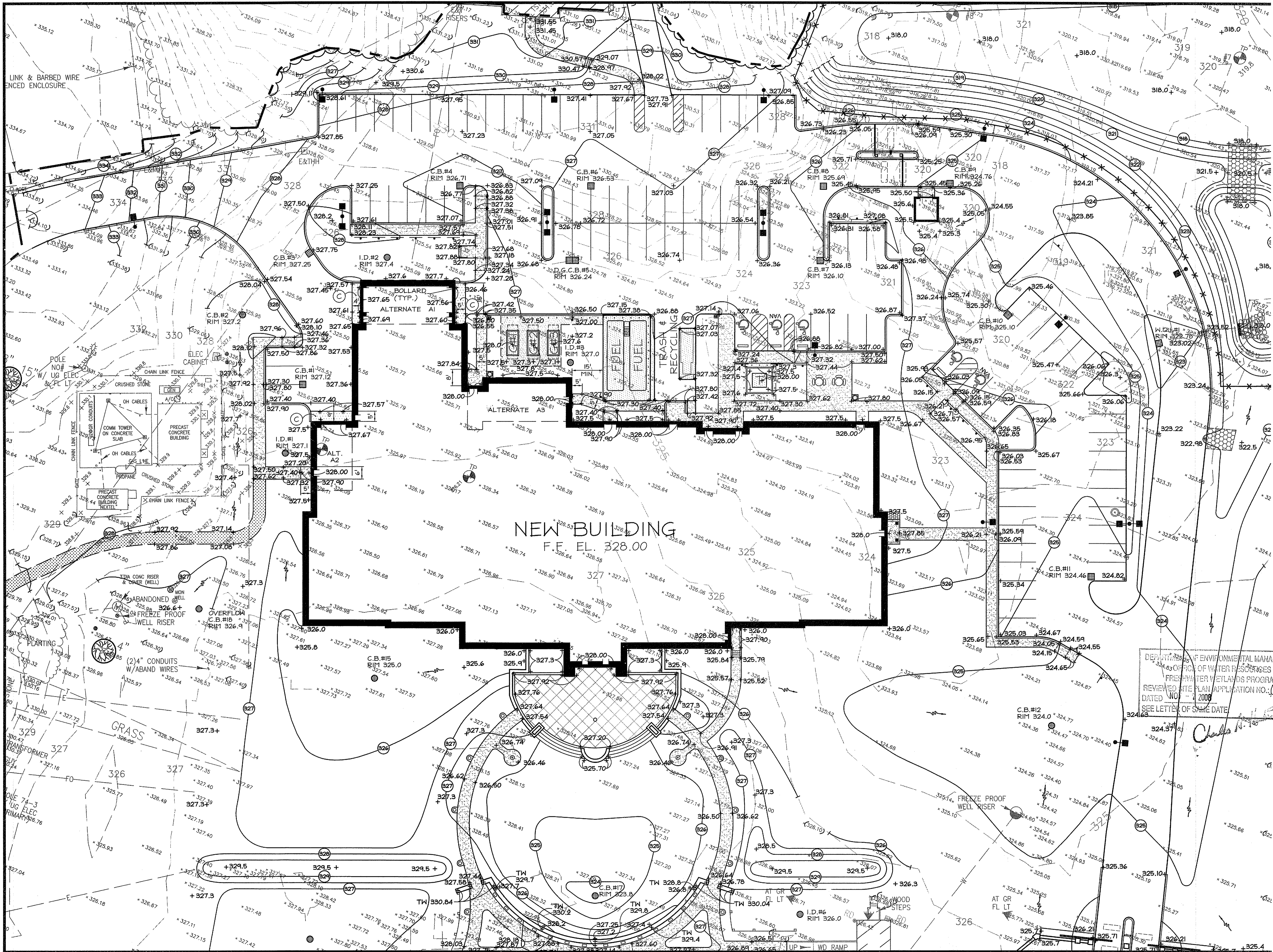
Project Number. 5732

Drawing No.

C404

Sheet 10 of 27

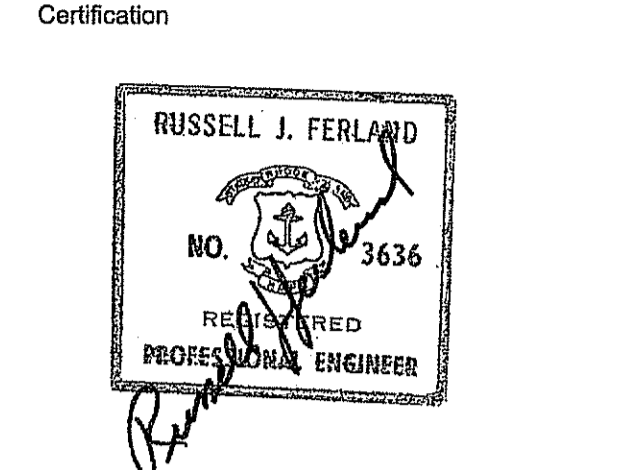




This drawing is copyrighted and is subject to copyright protection as an architectural work under 17 U.S.C. Sec. 101 et seq. The protection includes but is not limited to the overall form as well as the arrangement and composition of spaces, materials, color and elements in the design. Under such protection, unauthorized use of this drawing may result in the cessation of construction or buildings being raised and/or monetary compensation being awarded to The Robinson Green Bertha Corporation (RGB).

Any reproduction, possession, or use of this drawing or any part thereof without the express written permission of RGB, is prohibited. Violators will be prosecuted to the full extent of the law.

© RGB 2008



9/18/08
 Drawn by MAD, JND
 Checked by RJF
 Revised on

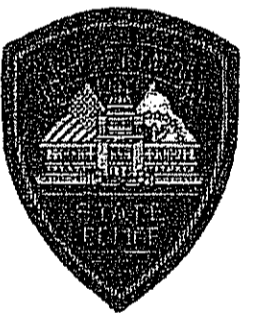
NOTICE OF DOCUMENT SECURITY REQUIREMENTS

PROPERTY OF THE RHODE ISLAND STATE GOVERNMENT
 COPYING, DISSEMINATION, OR DISTRIBUTION OF THESE DRAWINGS, PLANS OR SPECIFICATIONS TO UNAUTHORIZED PERSONS IS STRICTLY PROHIBITED.
 DO NOT REMOVE THIS NOTICE!
 Return Documents to Authorized Locations For Destruction as Delineated in Project Manual.
 These documents shall not be reproduced without the exclusive written permission of the Owner under any circumstances. Authorization can be obtained from the Owner as defined in the project manual.

50 Holden Street
 Providence, Rhode Island 02908
 Phone: (401) 272-1730
 Fax: (401) 278-7156
 E-mail: rgbinfo@rgb.net
 www.rgb.net



Architecture • Engineering • Interior Design
RHODE ISLAND STATE POLICE
NEW HEADQUARTERS



&
RHODE ISLAND E9-1-1
NEW PRIMARY PUBLIC SAFETY ANSWERING POINT FACILITY

DEPARTMENT OF ENVIRONMENTAL MANAGEMENT
 OFFICE OF WATER RESOURCES
 FRESHWATER VERTEBRATES PROGRAM
 REVIEWED SITE PLAN APPLICATION NO. 08-0086
 DATED NOV - 1 2008
 SEE LETTER OF GRANT DATE



A.P. 32 LOT 34
 NORTH SITUATE, RHODE ISLAND

Drawing Status
FOR PERMITTING

Issued On 9/19/2008

Sheet Contents
GRADING PLAN - ALTERNATES
 SCALE: 1"=20'

Project Number 5732

Drawing No.

C405

Sheet 11 of 27

NOTES - EXISTING LEGEND - ABBREVIATIONS

1. PROJECT COORDINATES ARE BASED ON NAD83 RECTANGULAR GRID SYSTEM DERIVED FROM GPS OPERATIONS ON FEBRUARY 24, 2008.

2. VERTICAL DATUM OF ELEVATIONS IS BASED ON NAVD83 (MEAN SEA LEVEL).

3. UNDERGROUND UTILITIES SHOWN HEREON ARE BASED ON ABOVE GROUND STRUCTURES OBSERVED AND LOCATED, AND ON PLANS AND DATA PROVIDED BY THE SURVEYOR.

ASPH	ASPHALT	CONC	CONCRETE	CONC	CONCRETE	CONC	CONCRETE	CONC	CONCRETE	CONC	CONCRETE		
BLDG	BUILDING	BLDG	BUILDING	BLDG	BUILDING	BLDG	BUILDING	BLDG	BUILDING	BLDG	BUILDING	BLDG	BUILDING
BLDG	BUILDING	BLDG	BUILDING	BLDG	BUILDING	BLDG	BUILDING	BLDG	BUILDING	BLDG	BUILDING	BLDG	BUILDING
BLDG	BUILDING	BLDG	BUILDING	BLDG	BUILDING	BLDG	BUILDING	BLDG	BUILDING	BLDG	BUILDING	BLDG	BUILDING

PROPOSED LEGEND

- NF--- NEW FIRE LINE
- NW--- NEW WATER LINE
- ND--- NEW DRAIN LINE
- RD--- NEW ROOF DRAIN LINE
- NS--- NEW SANITARY SEWER LINE
- NFM--- NEW SANITARY FORCE MAIN
- NE--- NEW ELECTRIC LINE-REFER TO ELECTRICAL DWG.S
- NC--- NEW COMMUNICATIONS LINE-REFER TO LVCO2
- (45) PROPOSED CONTOUR
- B-1 BORING LOCATION
- TP-1 TEST PIT LOCATION
- T.B. NEW THRUST BLOCK (C605)
- NEW LIGHT POLE - REFER TO ELECTRICAL DWG.S

NOTE:
REFER TO SHEET C600 FOR GENERAL NOTES.

PROJECT PHASING

PHASE I: SITE UTILITY RELOCATION PROJECT - N.I.C.

PHASE II: NEW FACILITY PROJECT

PHASE III: RELOCATION OF RISF # E9-1-I OPERATIONS INTO THE NEW FACILITY

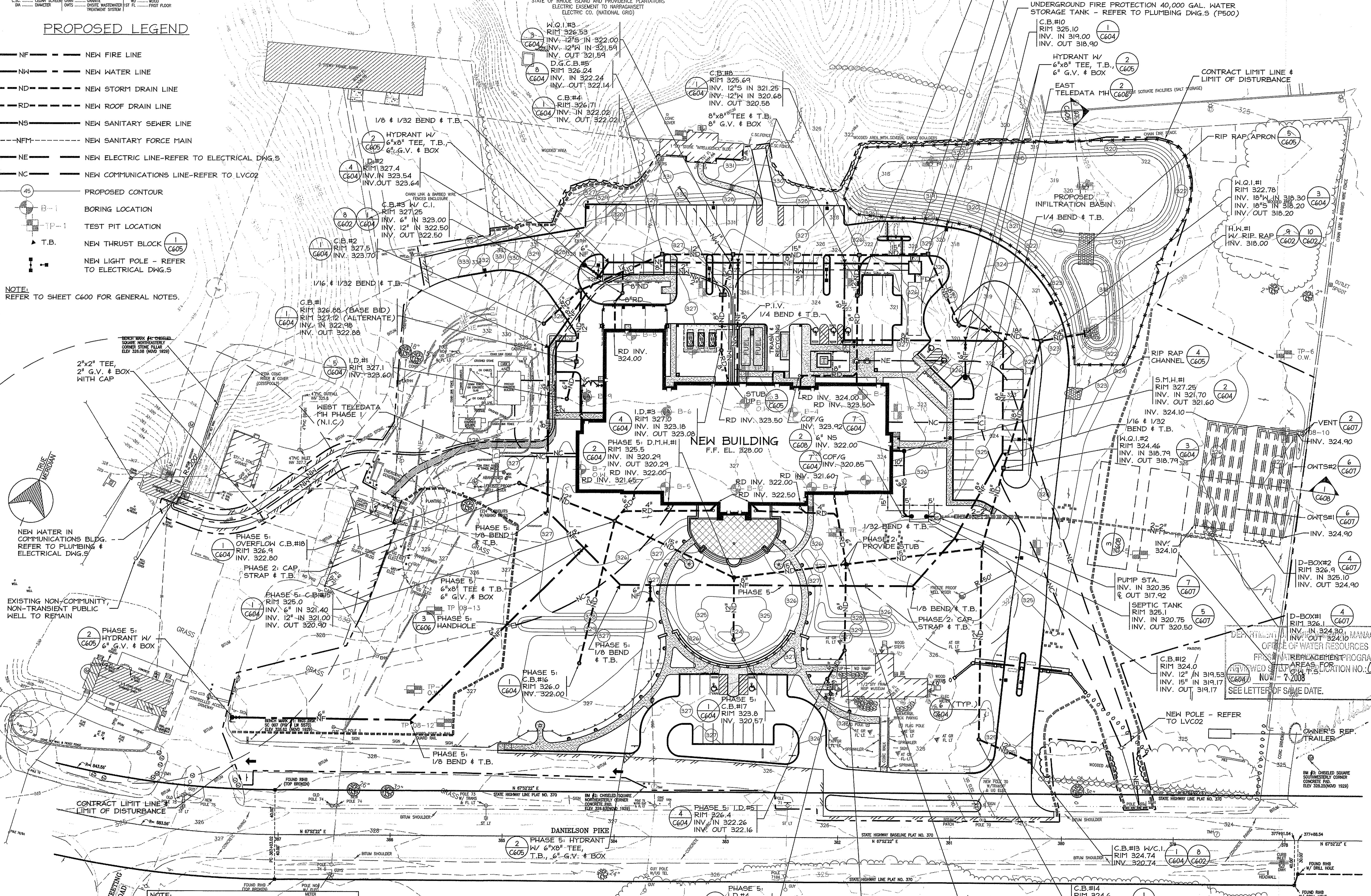
PHASE IV: DEMOLITION OF EXISTING RISF ISSB FACILITY

PHASE V: COMPLETION OF PROJECT

ASSESSOR'S PLAT 32
PART OF LOT 34
STATE OF RHODE ISLAND
AND PROVIDENCE PLANTATIONS
TOTAL AREA: 40.4 ± ACRES

BOOK 55 PAGE 273
BOOK 208 PAGE 399

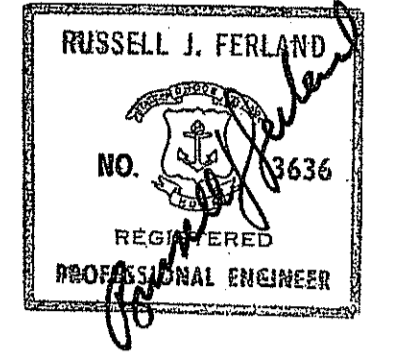
STATE OF RHODE ISLAND AND PROVIDENCE PLANTATIONS
ELECTRIC EASEMENT TO NARRAGANSETT
ELECTRIC CO. (NATIONAL GRID)



This drawing is copyrighted and is subject to copyright protection as an "architectural work" under 17 U.S.C. Sec. 101 et seq. The protection includes but is not limited to the overall form as well as the arrangement and composition of space, materials, color and elements in the design. Under such protection, unauthorized use of this drawing may result in the cessation of construction or buildings being seized and/or monetary compensation being awarded to The Robinson Green Beretta Corporation (RGC).

Any reproduction, possession, or use of this drawing or any part thereof without the express written permission of RGC, is prohibited. Visitors will be prosecuted to the full extent of the law.

© RGB 2008



9/19/08

Drawn by: MAD, JND
Checked by: RJF

Revised on:

NOTICE OF DOCUMENT SECURITY REQUIREMENTS

PROPERTY OF THE RHODE ISLAND STATE GOVERNMENT.

COPYING, DISSEMINATION, OR DISTRIBUTION OF THESE DRAWINGS, PLANS OR SPECIFICATIONS TO UNAUTHORIZED PERSONS IS STRICTLY PROHIBITED.

DO NOT REMOVE THIS NOTICE

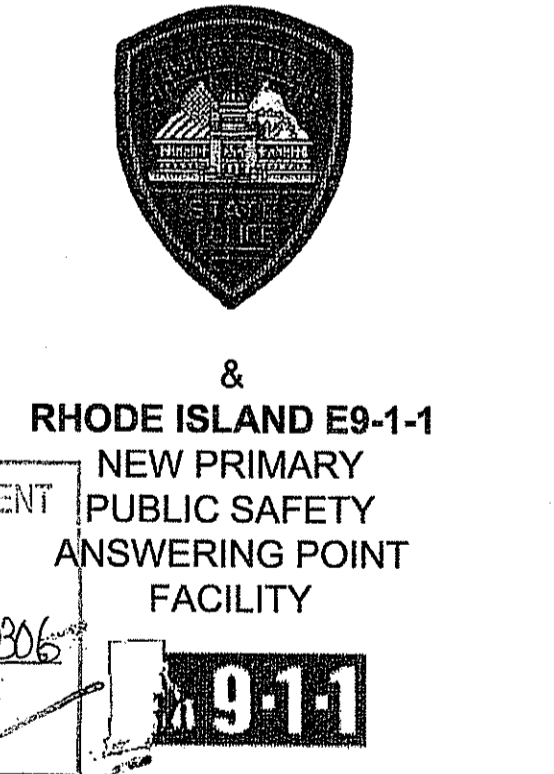
Return Documents to Authorized Locations For Destruction as Delineated in Project Manual.

These documents shall not be reproduced without the exclusive written permission of the Owner under any circumstances. Authorization can be obtained from the Owner as defined in the project manual.

50 Holden Street
Providence, Rhode Island 02908
Phone: (401) 272-1730
Fax: (401) 273-7158
E-mail: rjferland@rgb.net
www.rgb.net

Architecture · Engineering · Interior Design

Project: **RHODE ISLAND STATE POLICE NEW HEADQUARTERS**



A.P. 32 LOT 34
NORTH SCITUATE, RHODE ISLAND

Drawing Status: **FOR PERMITTING**

Issued On: 9/19/2008

Sheet Contents: **UTILITY PLAN SCALE: 1"=40'**

Project Number: 5732

Drawing No. **C500**

Sheet 12 of 27

NOTE:
THE CONTRACTOR SHALL MAINTAIN VEHICLE AND PEDESTRIAN ACCESS AT ALL TIMES WHILE THE FACILITIES ARE IN OPERATION. CONTRACTOR SHALL SUBMIT A PHASING PLAN THAT MUST BE APPROVED BY THE OWNER PRIOR TO CONSTRUCTION.

THE SITE IS LOCATED IN ZONE "X" AND DOES NOT LIE WITHIN THE 100 YEAR FLOOD PLAIN AS DETERMINED FROM F.E.M.A. FLOOD INSURANCE RATE MAP.



SOIL EROSION AND SEDIMENT CONTROL NOTES:

1. THE CONTRACTOR IS RESPONSIBLE FOR THE PREVENTION OF SEDIMENT DISCHARGES TO OFF-SITE PROPERTIES.
2. THE INSTALLATION AND MAINTENANCE OF ALL EROSION CONTROL DEVICES IS THE CONTRACTOR'S RESPONSIBILITY.
3. THE CONTRACTOR SHALL MAINTAIN A STOCKPILE OF 20 HAY BALES AND 40 WOODEN STAKES TO FACILITATE PROMPT REPAIRS.
4. PRIOR TO ANY CONSTRUCTION, THE CONTRACT LIMIT LINES SHALL BE ESTABLISHED IN THE FIELD. BALED HAY EROSION CHECKS SHALL THEN BE PLACED, LOCATIONS AS SHOWN ON THE PLANS.
5. BALED HAY EROSION CHECKS SHALL BE INSPECTED AT THE END OF EACH WORK WEEK AND AFTER ANY RAINFALL OF 1/4 INCH OR MORE DURING A 24-HOUR PERIOD, UNTIL VEGETATIVE COVER HAS BEEN ESTABLISHED ON FINISH SLOPES. MAINTENANCE AND REPAIRS SHALL BE PERFORMED AS REQUIRED TO MAINTAIN PROPER FUNCTIONING. HAY BALES SHALL BE REPLACED WHEN THEY NO LONGER FUNCTION PROPERLY.
6. SEDIMENT BUILD-UP ALONG THE BALED HAY EROSION CHECKS SHALL BE REMOVED AND DISPOSED OF WHEN THE SEDIMENT DEPTH EXCEEDS 8 INCHES.
7. IT SHALL BE THE CONTRACTOR'S RESPONSIBILITY TO CLEAN ROADS, CONTROL DUST, AND TAKE ALL NECESSARY MEASURES TO ENSURE THAT THE SITE AND ALL ROADS BE MAINTAINED IN A MUD AND DUST FREE CONDITION AT ALL TIMES THROUGHOUT THE LIFE OF THE PROJECT. DUST CONTROL SHALL INCLUDE, BUT IS NOT LIMITED TO WATER AND/OR CRUSHED STONE OR COARSE GRAVEL.
8. ALL PROPOSED CONSTRUCTION ENTRANCES SHALL BE CONSTRUCTED AS SHOWN. ENTRANCES SHALL BE MAINTAINED IN A CONDITION THAT WILL PREVENT TRACKING OR FLOWING OF SEDIMENT ONTO THE SURROUNDING ROADWAYS. THIS WILL REQUIRE PERIODIC TOP DRESSING WITH ADDITIONAL STONE OR ADDITIONAL LENGTH AS CONDITIONS DEMAND AND REPAIR AND/OR CLEANOUT OF ANY MEASURES USED TO TRAP SEDIMENT. ALL SEDIMENT SPILLED, DROPPED, WASHED, OR TRACKED ONTO THE SURROUNDING ROADWAYS MUST BE REMOVED IMMEDIATELY, ADDITIONAL ENTRANCES FOR CONSTRUCTION PHASING SHALL BE INSTALLED AS REQUIRED.
9. SWEEP ADJACENT PAVED STREETS DURING CONSTRUCTION, WHENEVER DEBRIS, GRAVEL, ASPHALT, ETC. IS SPILLED.
10. ALL DRAINAGE STRUCTURES ARE TO BE CONSTRUCTED AND THE EMBANKMENTS STABILIZED AS SOON AS POSSIBLE AFTER CONSTRUCTION COMMENCES.
11. PROVIDE SILT SACK EROSION CHECKS AT ALL CATCH BASINS WITHIN THE CONTRACT LIMIT LINE DURING THE CONSTRUCTION.
12. IF DESIGNATED EROSION CONTROLS DO NOT CONTAIN EROSION COMPLETELY, ADDITIONAL EROSION AND SEDIMENT CONTROL MEASURES SHALL BE INSTALLED DURING THE CONSTRUCTION PERIOD.
13. STOCKPILES OF TOPSOIL SHALL ALSO HAVE HAY BALE EROSION CHECKS AROUND THE LOWER PERIMETER.
14. ANY STRIPPED OR EXPOSED AREAS THAT ARE NOT IN CONTINUOUS USE SHALL BE MULCHED.
15. STABILIZE SLOPES STEEPER THAN 3:1 (HORIZONTAL TO VERTICAL) WITH SEED, SECURED GEOTEXTILE FABRIC, OR RIP RAP AS REQUIRED TO PREVENT EROSION DURING CONSTRUCTION.
16. TEMPORARY VEGETATIVE COVER SHALL BE APPLIED TO ANY DISTURBED AREAS (INCLUDING SOIL STOCKPILE AREAS) THAT HAVE NOT YET REACHED FINISHED GRADE AS SOON AS POSSIBLE, BUT NOT MORE THAN FOURTEEN (14) DAYS AFTER THE CONSTRUCTION ACTIVITY IN THAT AREA HAS TEMPORARILY CEASED, UNLESS THE ACTIVITY IS TO RESUME WITHIN TWENTY ONE (21) DAYS. THE RECOMMENDED TEMPORARY SEEDING DATES ARE MARCH 1 TO JUNE 15 AND AUGUST 15 TO SEPTEMBER 30.

THIS TEMPORARY VEGETATIVE COVER SHALL CONSIST OF 60% ANNUAL OR PERENNIAL RYE GRASS AND 40% MILLET OR SUDANGRASS OR 100% OF WINTER RYE. ANNUAL OR PERENNIAL RYE GRASS SHALL BE PLANTED AT A RATE OF 1.5 LBS./1,000 SF, WINTER RYE SHALL BE PLANTED AT A RATE OF 2.5 LBS./1,000 SF, AND MILLET OR SUDANGRASS SHALL BE PLANTED AT A RATE OF 1.0 LBS./1,000 SF.

LIMESTONE AND FERTILIZER SHALL BE APPLIED ACCORDING TO SOIL TEST RECOMMENDATIONS OFFERED BY URI SOIL TESTING LABORATORY. IF SOIL TESTING IS NOT FEASIBLE ON SMALL OR VARIABLE SITES, OR WHERE TIMING IS CRITICAL, FERTILIZER (10-10-10) MAY BE APPLIED AT A RATE OF 7.5 LBS./1,000 SF. APPLY LIMESTONE, EQUAL TO 50% CALCIUM PLUS MAGNESIUM OXIDE, AS FOLLOWS: 135 LBS./1,000 SF FOR CLAY, CLAY LOAM AND HIGH ORGANIC SOIL; 90 LBS./1,000 SF FOR SANDY LOAM, LOAM, OR SILT LOAM; AND 45 LBS./1,000 SF FOR LOAMY SAND OR SAND. TEMPORARY VEGETATIVE COVER SHALL BE INSTALLED AS OUTLINED IN THE RI SOIL EROSION AND SEDIMENT CONTROL HANDBOOK.

PERMANENT VEGETATIVE COVER SHALL BE APPLIED TO ALL DISTURBED AREAS THAT HAVE REACHED FINISHED GRADE AS SOON AS POSSIBLE, BUT NOT MORE THAN FOURTEEN (14) DAYS AFTER CONSTRUCTION ACTIVITY IN THAT AREA HAS PERMANENTLY CEASED. THE RECOMMENDED PERMANENT SEEDING DATES ARE APRIL 1 TO JUNE 15 AND AUGUST 15 TO SEPTEMBER 30.

PERMANENT VEGETATIVE COVER OUTSIDE IMPERVIOUS OR LANDSCAPED AREAS SHALL RECEIVE THE FOLLOWING SEED MIXTURE (URI NUMBER 2 LAWN SEED)

SEED	APPLICATION RATE
40% RED FESCUE	0.90 LBS./1,000 SF.
40% KENTUCKY BLUEGRASS	0.90 LBS./1,000 SF.
20% PERENNIAL RYE GRASS	0.45 LBS./1,000 SF.

LIMESTONE AND FERTILIZER SHALL BE APPLIED ACCORDING TO SOIL TEST RECOMMENDATIONS OFFERED BY URI SOIL TESTING LABORATORY. IF SOIL TESTING IS NOT FEASIBLE ON SMALL OR VARIABLE SITES, OR WHERE TIMING IS CRITICAL, FERTILIZER (10-20-20) MAY BE APPLIED AT A RATE OF 11.5 LBS./1,000 SF. APPLY LIMESTONE, EQUAL TO 50% CALCIUM PLUS MAGNESIUM OXIDE, AS FOLLOWS: 180 LBS./1,000 SF FOR CLAY, CLAY LOAM AND HIGH ORGANIC SOIL; 135 LBS./1,000 SF FOR SANDY LOAM, LOAM, OR SILT LOAM; AND 90 LBS./1,000 SF FOR LOAMY SAND OR SAND.

AREAS THAT HAVE BEEN TEMPORARILY OR PERMANENTLY SEEDED SHOULD BE MULCHED IMMEDIATELY FOLLOWING SEEDING IN ADDITION TO AREAS THAT CANNOT BE SEEDED WITHIN THE RECOMMENDED SEEDING DATES AND ANY SOIL STOCKPILE AREAS. TEMPORARY MULCHING SHOULD BE PERFORMED AS SOON AS POSSIBLE, BUT NOT MORE THAN FOURTEEN (14) DAYS AFTER THE CONSTRUCTION ACTIVITY IN THAT AREA HAS TEMPORARILY CEASED UNLESS THE ACTIVITY IS TO RESUME WITHIN TWENTY ONE (21) DAYS.

STRAW OR HAY MULCH, WOOD FIBER MULCH, AND HYDROMULCH ARE RECOMMENDED. STRAW OR HAY MULCH SHOULD BE APPLIED AT A RATE OF 2 TONS PER ACRE, WOOD FIBER MULCH SHOULD BE APPLIED AT A RATE OF 1,500 TO 2,000 LBS./ACRE, OR HYDROMULCH APPLIED AT A RATE OF 1,500 LBS./ACRE. WOOD FIBER MULCH SHOULD NOT BE USED ALONE IN THE WINTER OR DURING HOT, DRY WEATHER. STRAW OR HAY MULCH MUST BE ANCHORED IMMEDIATELY AFTER SPREADING TO PREVENT WINDBLOWING. MULCH ANCHORING SHOULD ALSO BE USED ON SLOPES GREATER THAN 3% AND CONCENTRATED FLOW AREAS SUCH AS DIVERSION AND WATERWAY CHANNELS.

IF SEEDING CAN NOT BE COMPLETED IMMEDIATELY OR WITHIN THE RECOMMENDED SEEDING DATES, USE THE TEMPORARY MULCHING MEASURE TO PROTECT THE SITE AND DELAY SEEDING UNTIL THE NEXT RECOMMENDED SEEDING PERIOD.

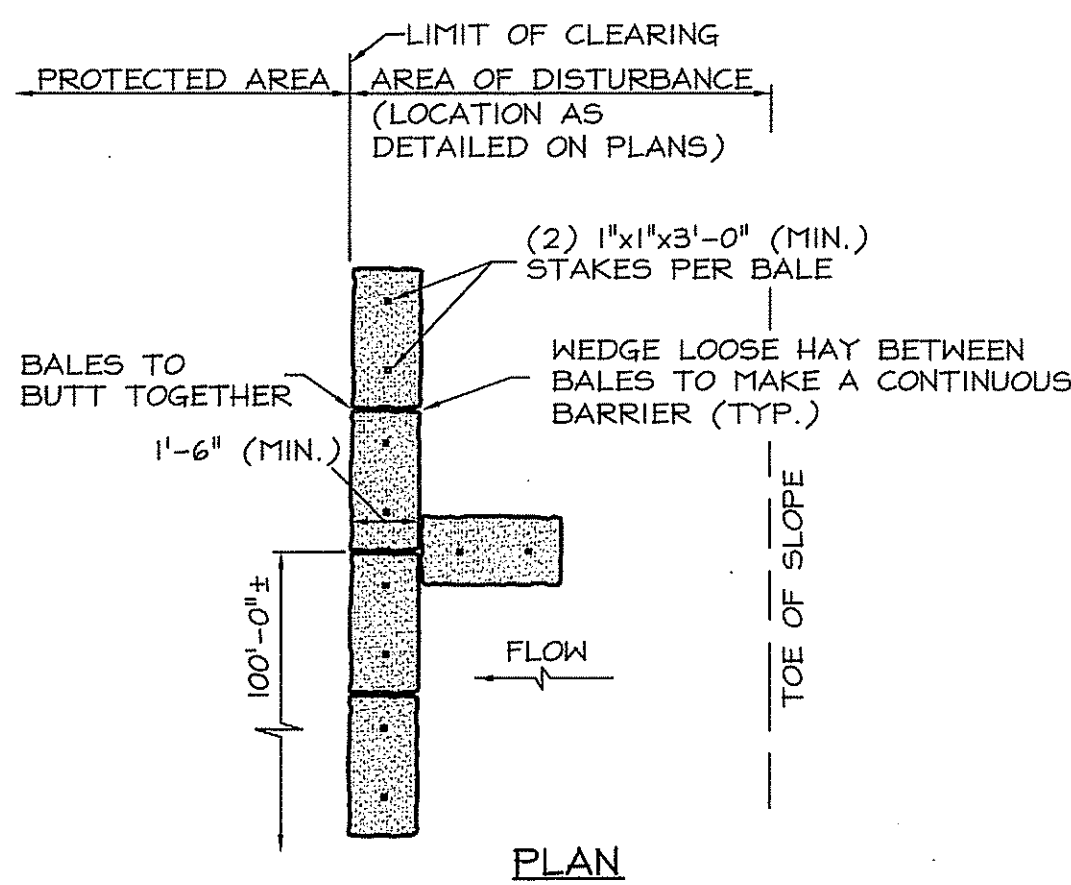
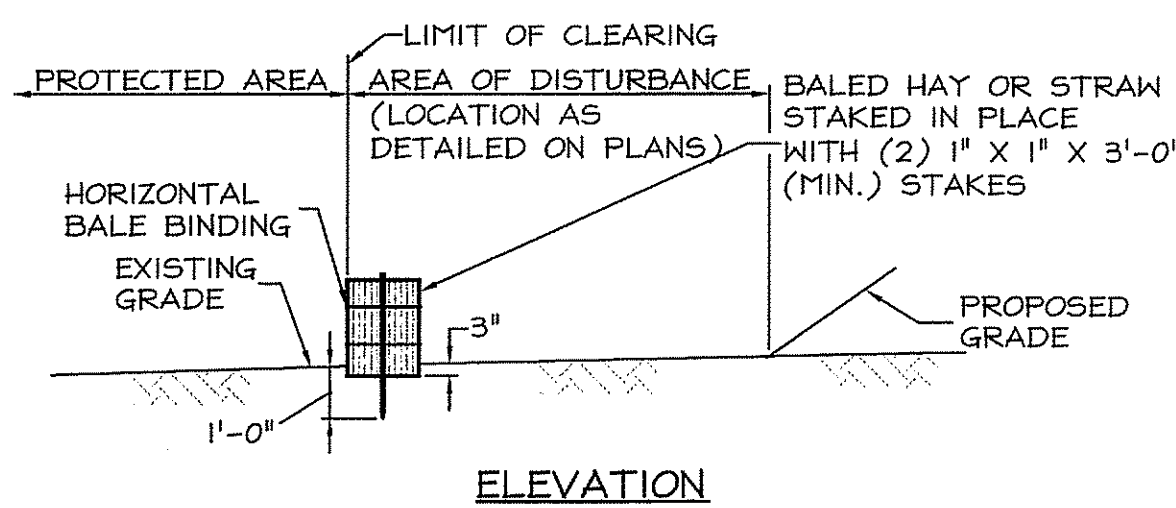
CLEAN OUT CATCH BASINS, DRAIN MANHOLES AND WATER QUALITY STRUCTURES WITHIN CONTRACT LIMITS AFTER COMPLETION OF CONSTRUCTION.

REMOVE AND DISPOSE OF ALL EROSION AND SEDIMENT CONTROLS ONLY AFTER PERMANENT VEGETATIVE COVER IS ESTABLISHED AND ACCEPTED BY THE OWNER AND THE ENGINEER.

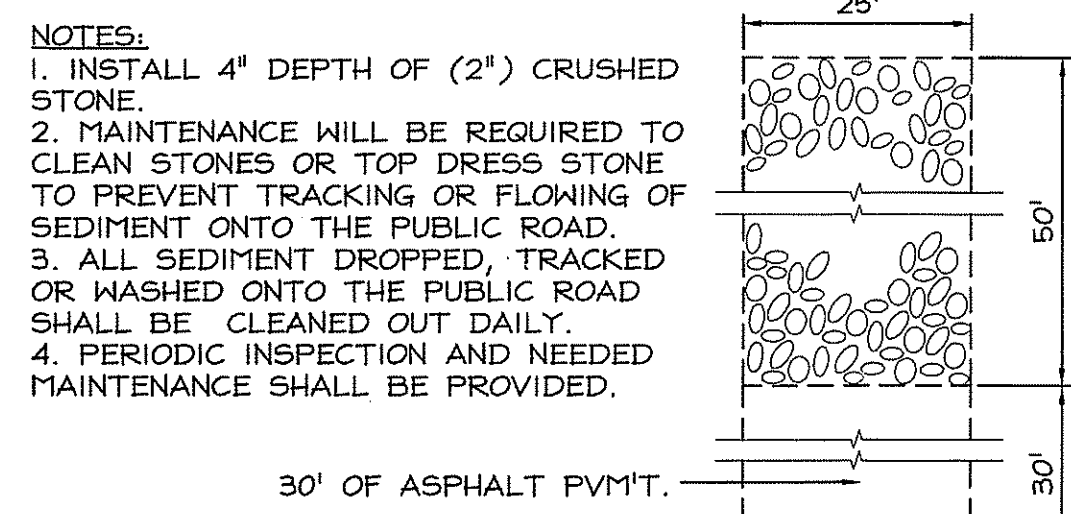
ALL AREAS DISTURBED BY CONSTRUCTION AND NOT INDICATED TO RECEIVE ANY OTHER FORM OF SURFACE TREATMENT SHALL BE LOAMED AND SEEDED.

GENERAL NOTES:

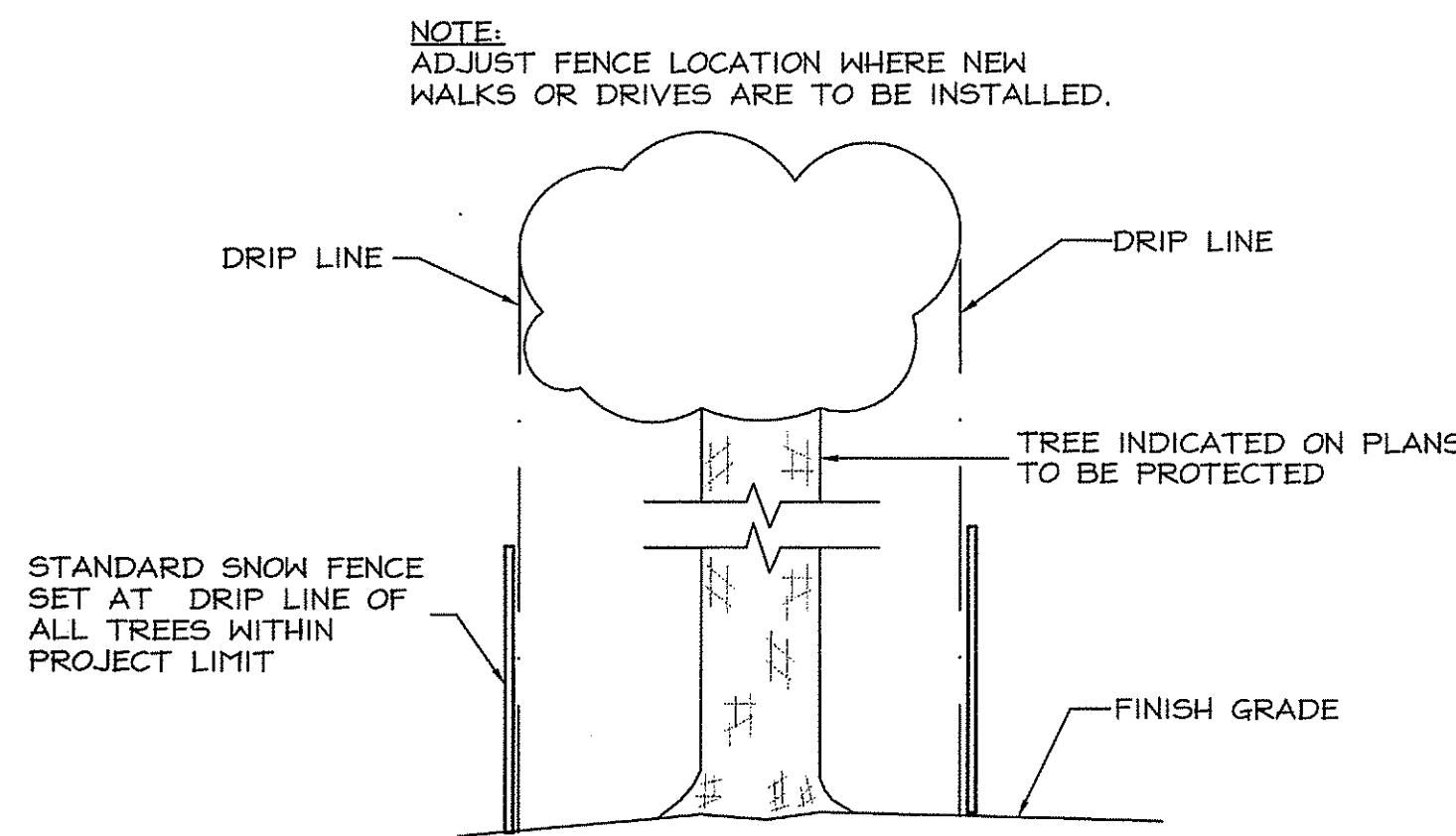
1. BEFORE BEGINNING ANY EXCAVATION OR DEMOLITION, GIVE A MINIMUM OF SEVENTY-TWO (72) HOUR NOTICE EXCLUDING SATURDAYS, SUNDAYS, AND HOLIDAYS, TO ALL UTILITY COMPANIES WITHIN THE AREA. ALSO, CALL "DIG SAFE" AT 1-888-344-7233 IN MAINE, NEW HAMPSHIRE, VERMONT, MASSACHUSETTS AND RHODE ISLAND, TO NOTIFY MEMBER UTILITIES. CONTRACTOR SHALL ALSO CONFORM TO CHAPTER 39-1.2 OF THE GENERAL LAWS OF THE STATE OF RHODE ISLAND, ENTITLED "EXCAVATION NEAR UNDERGROUND UTILITY FACILITIES". (CT 1-800-922-4455 OR 1-203-281-5435)
2. LOCATION AND DEPTHS OF EXISTING UTILITIES ARE APPROXIMATE AND HAVE BEEN PLOTTED FROM THE BEST AVAILABLE INFORMATION. CHECK AND VERIFY LOCATION AND DEPTHS OF ALL UTILITIES, BOTH UNDERGROUND AND OVERHEAD BEFORE BEGINNING ANY EXCAVATING. REPAIR AND PAY FOR ANY DAMAGE TO EXISTING UTILITIES, WHETHER SHOWN OR NOT SHOWN, AT NO ADDITIONAL COST TO THE OWNER.
3. PATCHING OF STREETS AND SIDEWALKS MUST CONFORM TO THE TOWN OF SCITUATE AND/OR RIDOT SPECIFICATIONS AND STANDARDS. EXTENT AND WIDTH OF PATCHING SHALL BE AS REQUIRED BY THE LOCAL JURISDICTION.
4. ALL AREAS DISTURBED BY CONSTRUCTION AND NOT INDICATED TO RECEIVE ANY OTHER FORM OF SURFACE TREATMENT SHALL BE LOAMED AND SEEDED.
5. THE COST TO PROVIDE TRAFFIC CONTROL SIGNS (STOP, DO NOT ENTER, AUTHORIZED VEHICLES ONLY, HANDICAPPED PARKING, ETC.) ARE INCLUDED IN THE BASE BID. THESE SIGNS ARE NOT INCLUDED AS PART OF THE GRAPHIC ALLOWANCE.
6. ALL WORK WITHIN THE STATE HIGHWAY R.O.W. SHALL CONFORM TO RIDOT STANDARD SPECIFICATIONS FOR ROAD AND BRIDGE CONSTRUCTION, 2004 EDITION, INCLUDING ALL REVISIONS AND THE RI STANDARD DETAILS.
7. ALL TRAFFIC CONTROL SHALL CONFORM TO THE MANUAL FOR UNIFORM TRAFFIC CONTROL DEVICES, 2003 EDITION, INCLUDING ALL REVISIONS.



(TYPE A) HAY BALE EROSION CHECK
C600 NOT TO SCALE

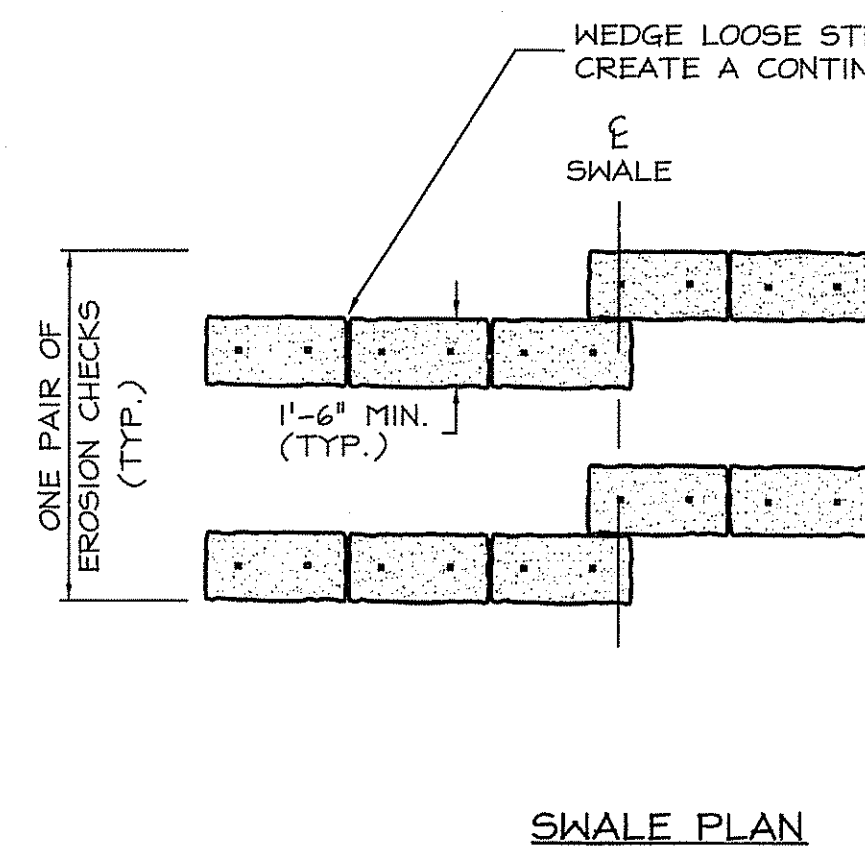
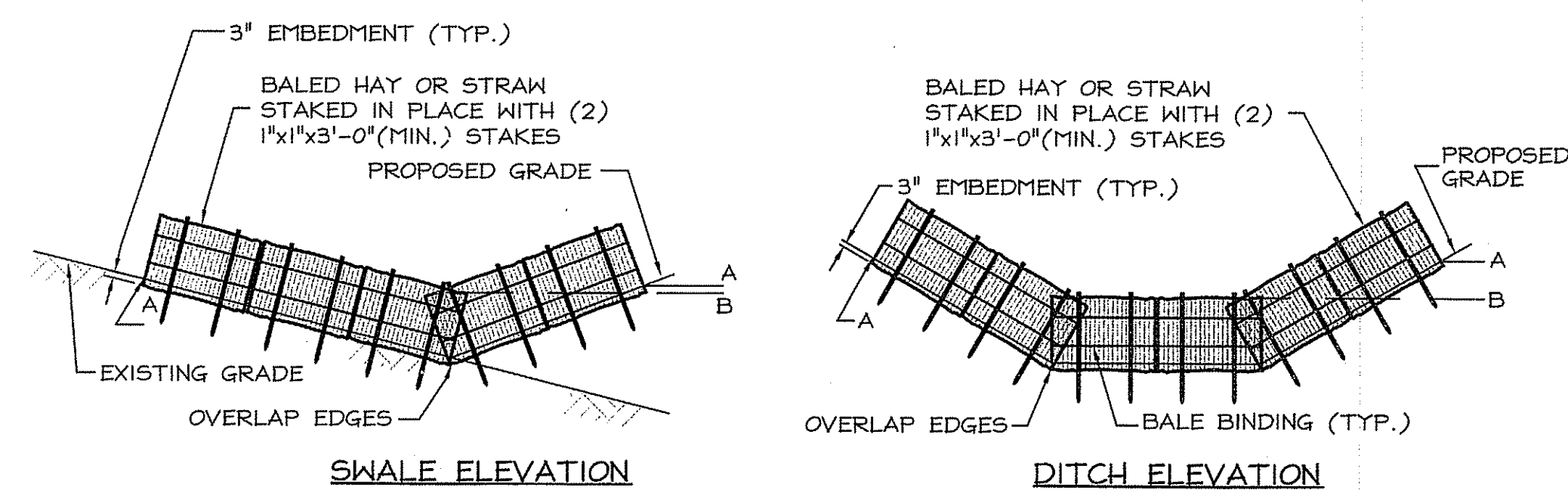


(3) CONSTRUCTION ENTRANCE
C600 NOT TO SCALE

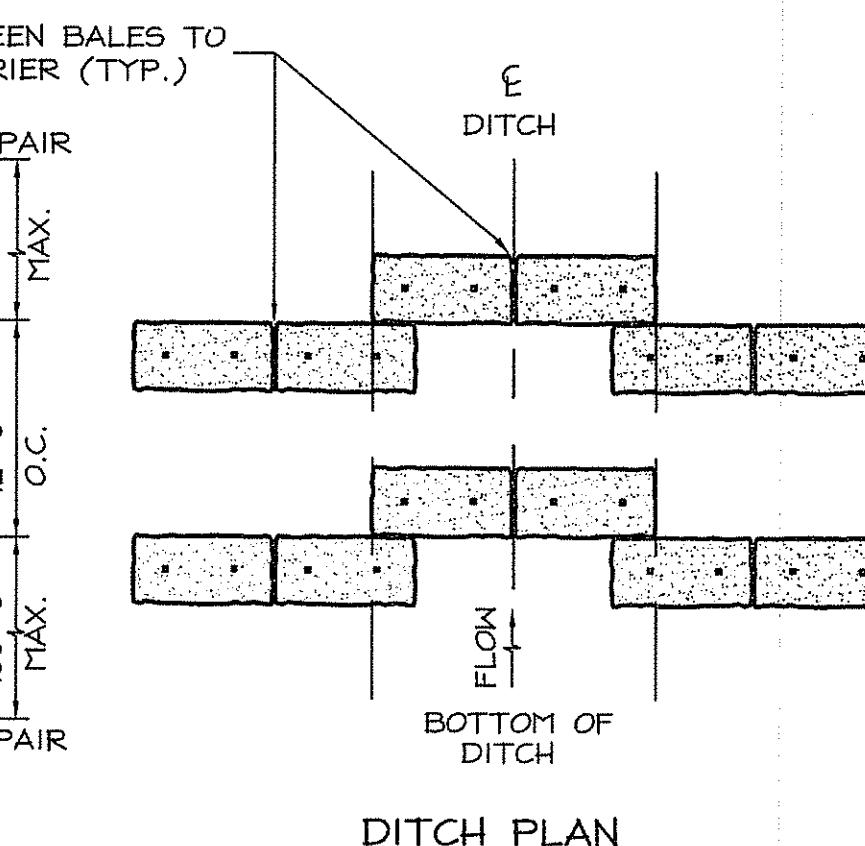


- NOTES:**
1. PROTECTION DEVICE SHALL BE PROVIDED ON ALL TREES TO BE SAVED PRIOR TO ANY DEMOLITION OR EXCAVATION OPERATIONS.
 2. DO NOT PENETRATE TREE BARK WITH ANY BINDINGS, SECURING OR FRAMING MATERIAL.
 3. PROTECTION FENCE SHALL BE MAINTAINED DURING CONSTRUCTION AND REMOVED BY THE CONTRACTOR UPON COMPLETION OF CONTRACT.
 4. AVOID TOPSOIL STRIPPING, VEHICLE TRAFFIC, SUPPLY STORAGE, OR STOCKPILING WITHIN THE DRIPLENE OF TREES TO REMAIN.

(4) TREE PROTECTION FENCE
C600 NOT TO SCALE



SWALE PLAN



DITCH PLAN

- NOTES:**
1. THE BALES ARE TO BE EMBEDDED A MINIMUM OF 3" INTO THE EXISTING GRADE, HIGHWAY SLOPE OR DITCH SECTION.
 2. POINTS "A" SHOULD BE AT A HIGHER ELEVATION THAN POINTS "B".

(TYPE B) HAY BALE DITCH AND SWALE EROSION CHECK
C600 NOT TO SCALE

SCHEDULE OF SURFACE FINISHES			
ALL COURSE THICKNESSES AFTER FINAL COMPACTION			
(A)	BITUMINOUS CONCRETE	<ul style="list-style-type: none"> 1-1/2" TOP COURSE - TYPE I-I 2" BASE COURSE 12" COMPACTED GRAVEL COMPACTED SUBGRADE 	DRIVES & PARKING
(B)	CONCRETE	<ul style="list-style-type: none"> FINE BROOM FINISH 5" CONCRETE 6X6 W2.9 X W2.9 W.W.F. 10" GRAVEL SUB-BASE COMPACTED SUBGRADE 	OTHER PAVED SURFACES - TOOLED EDGE PRIOR TO BROOM FINISH
(C)	VEHICULAR CONCRETE	<ul style="list-style-type: none"> TOOLED EDGES ON CONC. PAVEMENT NOT ABUTTING OTHER PAVED SURFACES - TOOLED EDGE PRIOR TO BROOM FINISH FINE BROOM FINISH 6" THICK CONCRETE PAVEMENT WITH 6 X 6 W2.9 X W2.9 W.W.F. 12" GRAVEL BASE COMPACTED SUBGRADE 	SALLEY FORT APRONS
(D)	STONEDUST	<ul style="list-style-type: none"> 4" COMPACTED STONE DUST 6" COMPACTED GRAVEL COMPACTED SUBGRADE 	PATHS

NOTE: REFER TO CONCRETE WALK DETAIL 1/C601 FOR CONTROL & EXPANSION JOINTS AND CURBED EDGES.

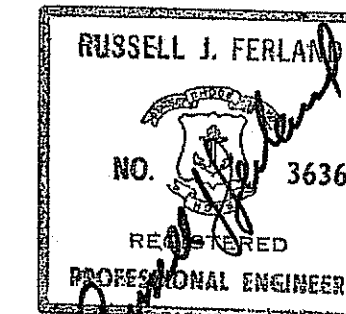
(5) SCHEDULE OF SURFACE FINISHES
C600 NOT TO SCALE

This drawing is copyrighted and is subject to copyright protection as an "architectural work" under 17 U.S.C. Sec. 101 et seq. The protection includes but is not limited to the overall form as well as the arrangement and composition of spaces, materials, color and elements in the design. Under such protection, unauthorized use of this drawing may result in the cessation of construction or buildings being erected and/or monetary compensation being awarded to the Robinson Green Bertha Corporation (RGC).

Any reproduction, possession, or use of this drawing or any part thereof without the express written permission of RGC, is prohibited. Violators will be prosecuted to the full extent of the law.

© RGB 2008

Certification



11/1/08

Drawn by MAD, JND

Checked by RJF

Revised on

NOTICE OF DOCUMENT SECURITY REQUIREMENTS

PROPERTY OF THE RHODE ISLAND STATE GOVERNMENT

COPYING, DISSEMINATION, OR DISTRIBUTION OF THESE DRAWINGS, PLANS OR SPECIFICATIONS TO UNAUTHORIZED PERSONS IS STRICTLY PROHIBITED.

DO NOT REMOVE THIS NOTICE

Return Documents to Authorized Locations For Destruction as Delineated in Project Manual.

These documents shall not be reproduced without the exclusive written permission of the Owner under any circumstances. Authorization can be obtained from the Owner as defined in the project manual.

60 Holden Street
Providence, Rhode Island 02908

Phone: (401) 272-1730

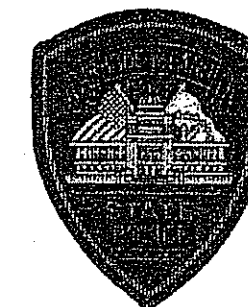
Fax: (401) 273-7160

E-mail: rgbinfo@rgb.net

www.rgb.net

Architecture • Engineering • Interior Design

Project **RHODE ISLAND STATE POLICE NEW HEADQUARTERS**



&
RHODE ISLAND E9-1-1 NEW PRIMARY PUBLIC SAFETY ANSWERING POINT FACILITY

DEPARTMENT OF ENVIRONMENTAL MANAGEMENT
OFFICE OF WATER RESOURCES
FRESH WATER WETLANDS PROGRAM
REVIEWED SITE PLAN APPLICATION NO. 08-0306
DATED NOV 7 2008
SEE LETTER OF SAME DATE.



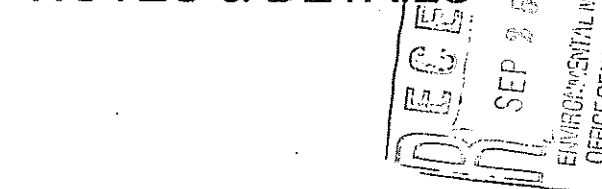
A.P. 32 LOT 34
NORTH SCITUATE, RHODE ISLAND

Drawing Status
FOR PERMITTING

Issued On 9/19/2008

Sheet Contents

NOTES & DETAILS

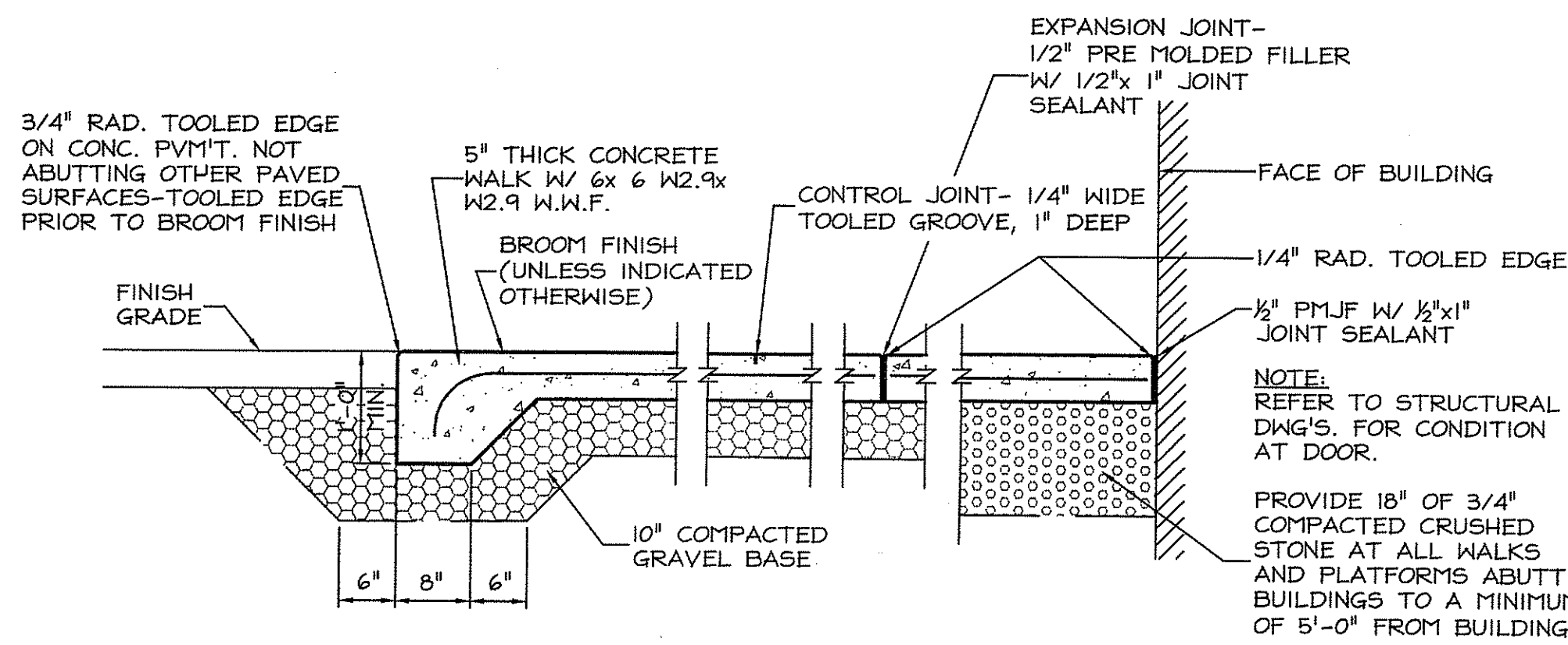


Project Number 5732

Drawing No.

C600

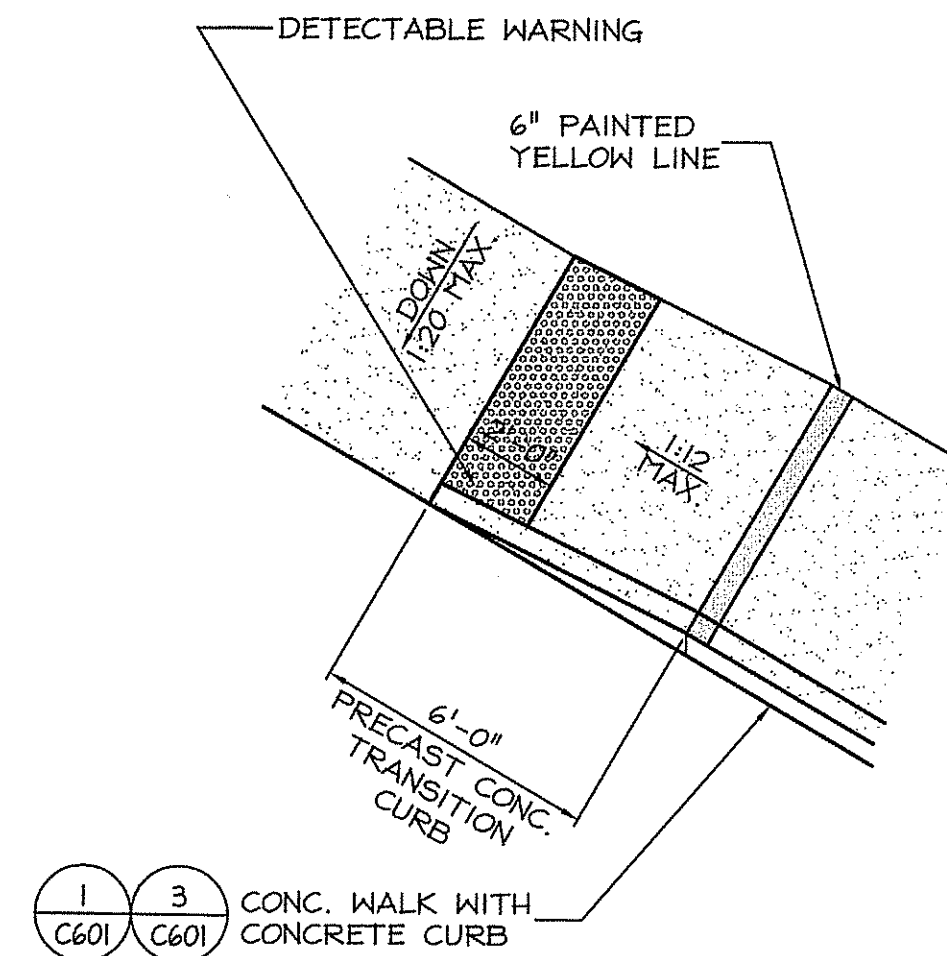
Sheet 13 of 27



NOTES:
1. CONTROL AND EXPANSION JOINTS SHALL BE CONSTRUCTED AS INDICATED ON LAYOUT PLANS.
2. CONCRETE TO BE 4,000 PSI (28 DAY) AIR-ENTRAINED.

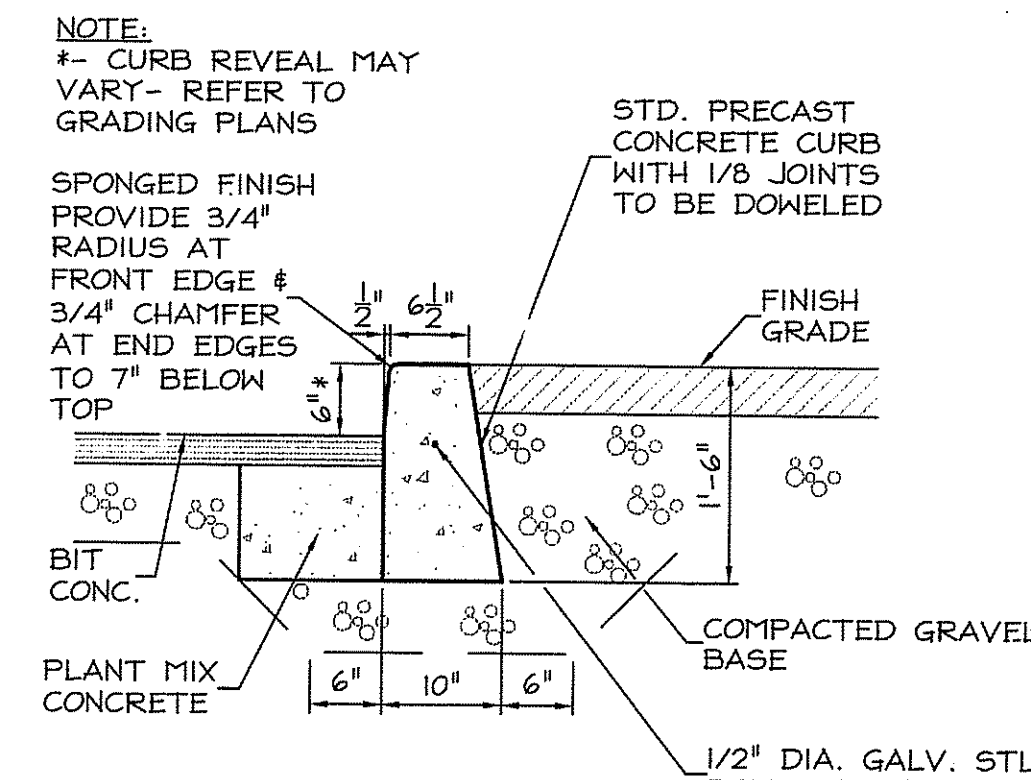
1 CONCRETE WALKS AND PLATFORMS

C601 NOT TO SCALE



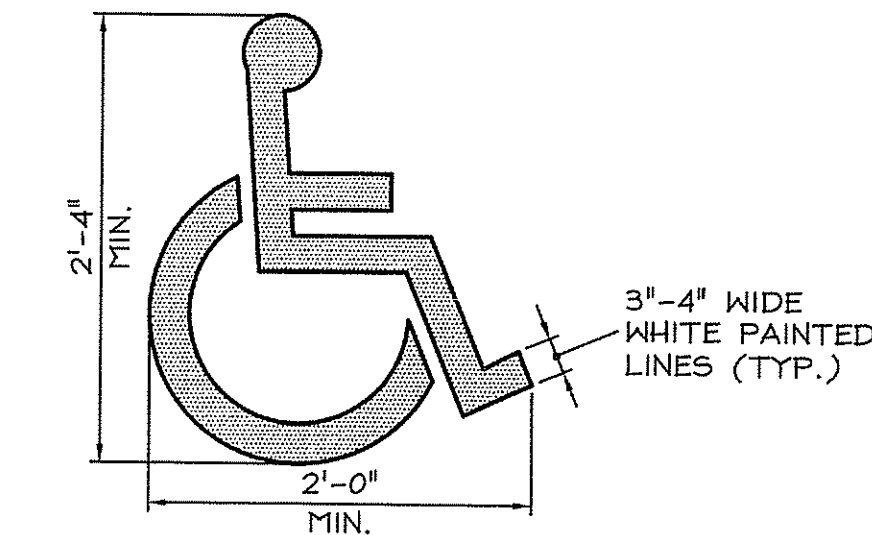
2 WHEELCHAIR ACCESS RAMP

C601 NOT TO SCALE



3 PRECAST CONC. CURB

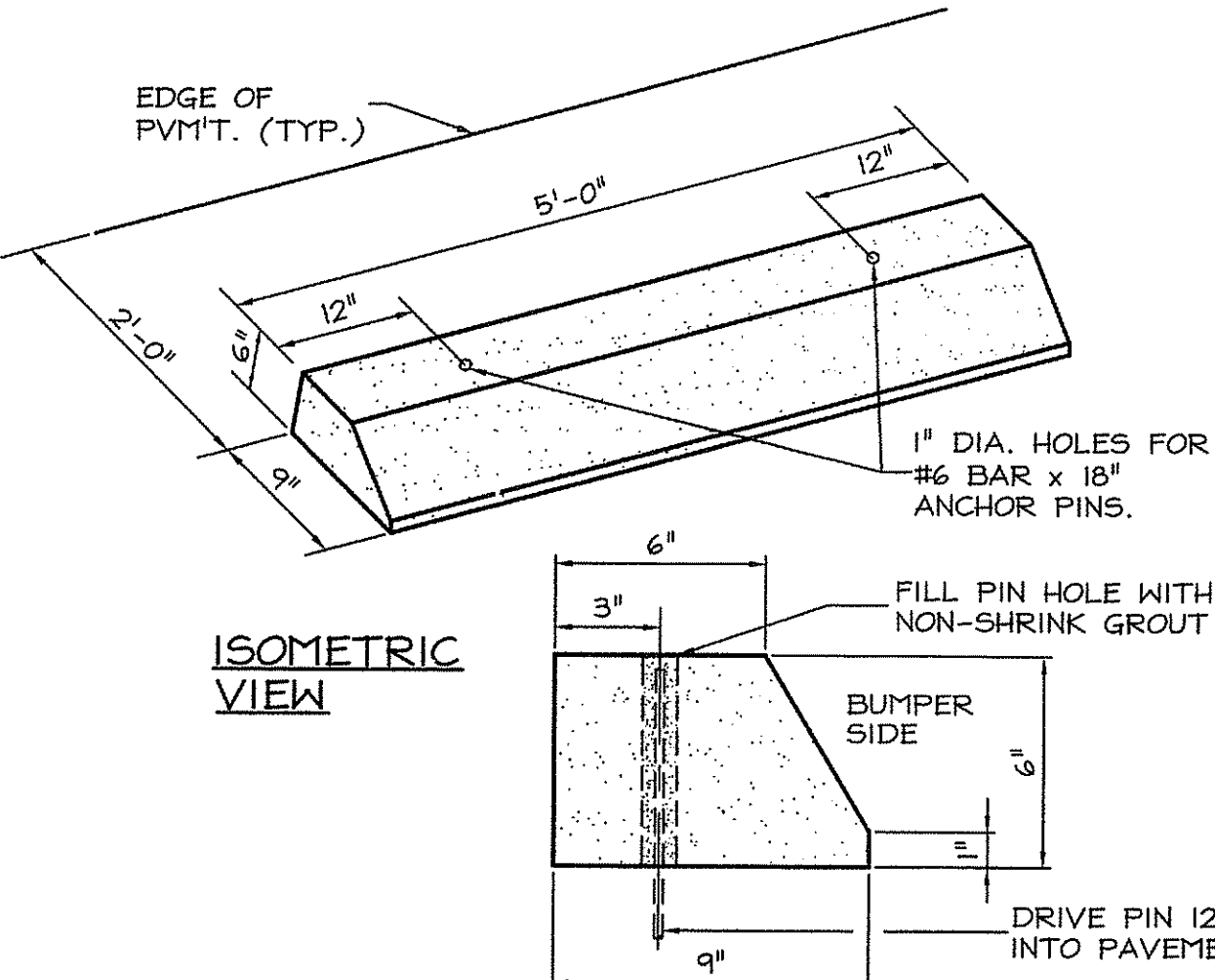
C601 NOT TO SCALE



4 HANDICAPPED SYMBOL

C601 NOT TO SCALE

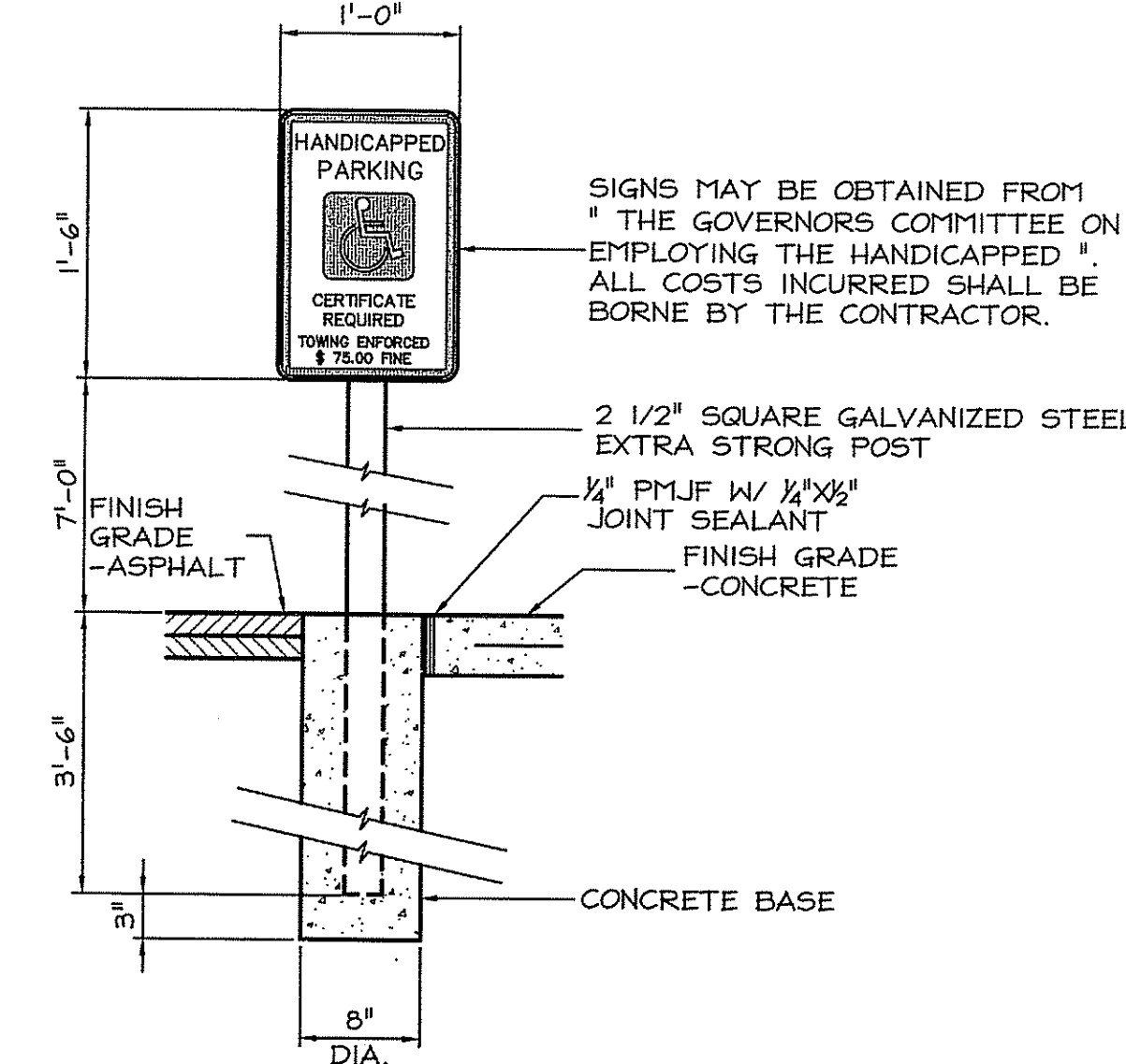
NOTE: THE DESIGNATED "VAN" PARKING SPACE (SEE PLAN) SHALL HAVE AN ADDITIONAL SIGN "VAN-ACCESSIBLE" MOUNTED BELOW THE HANDICAPPED PARKING SIGN.



NOTES:
1. REINF. 2 - #6'S CONC. 5000 P.S.I.
2. ALL EXPOSED EDGES TO HAVE A 3/4" CHAMFER.
3. ALL SURFACES TO HAVE A SPONGE FLOAT FINISH.

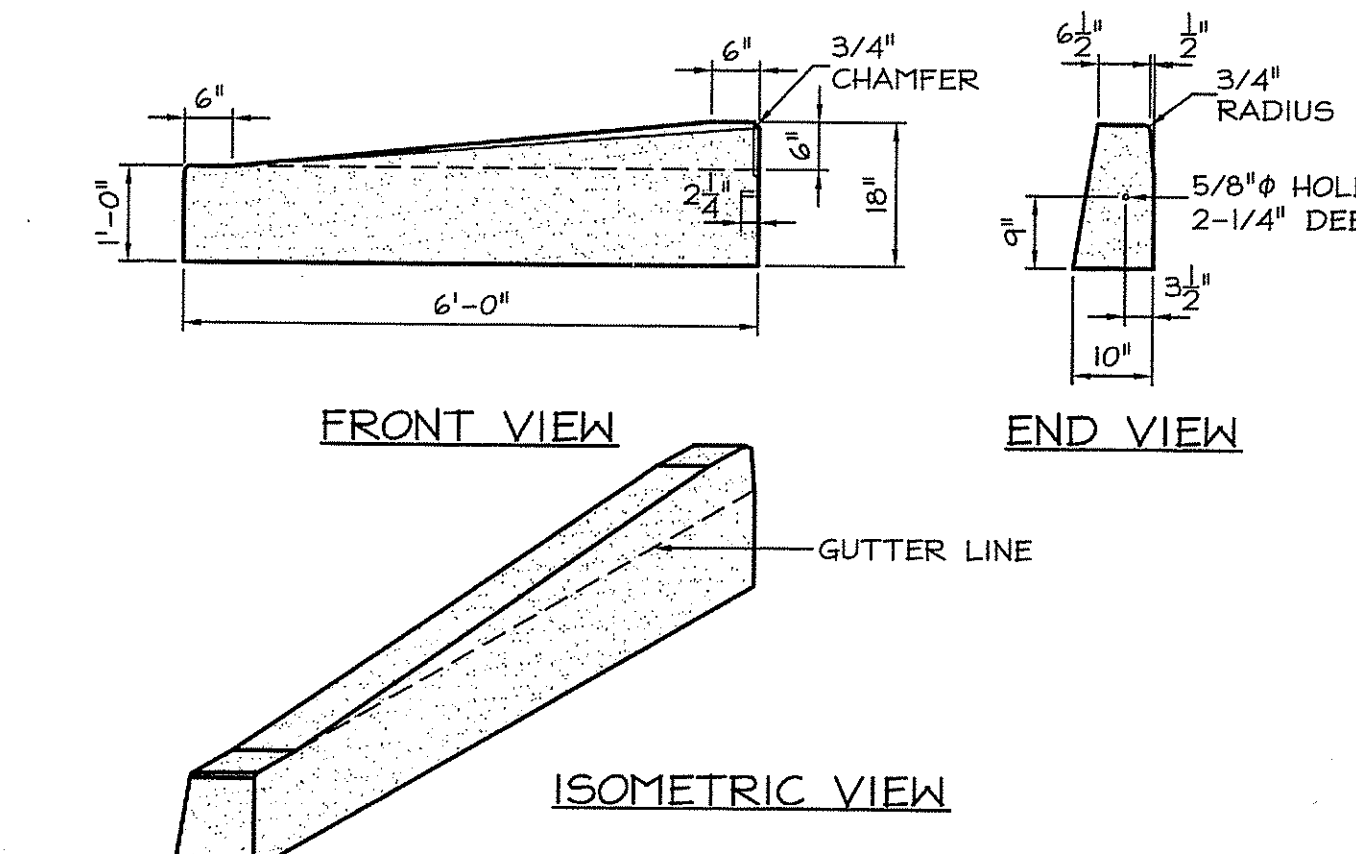
5 PRECAST CONCRETE BUMPER

C601 NOT TO SCALE



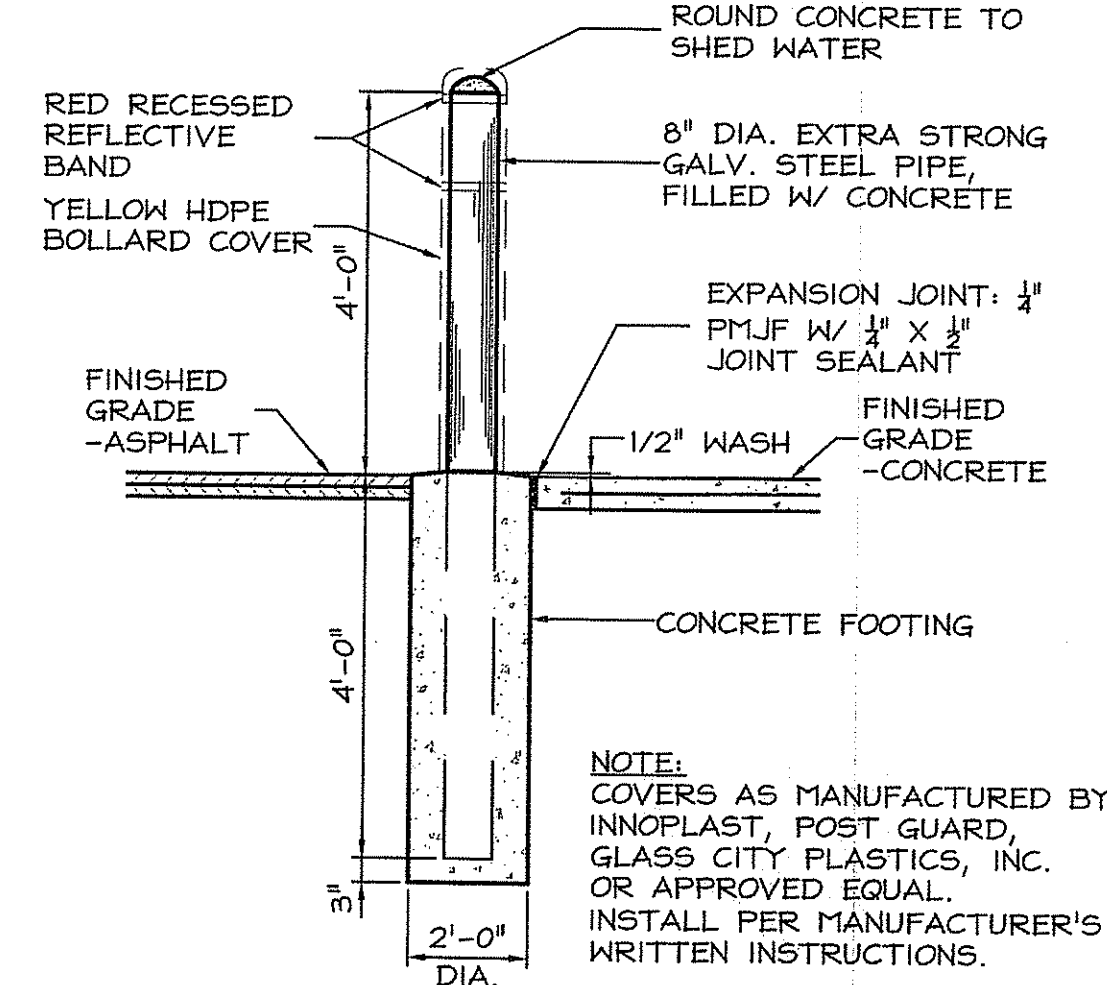
6 HANDICAPPED PARKING SIGN

C601 NOT TO SCALE



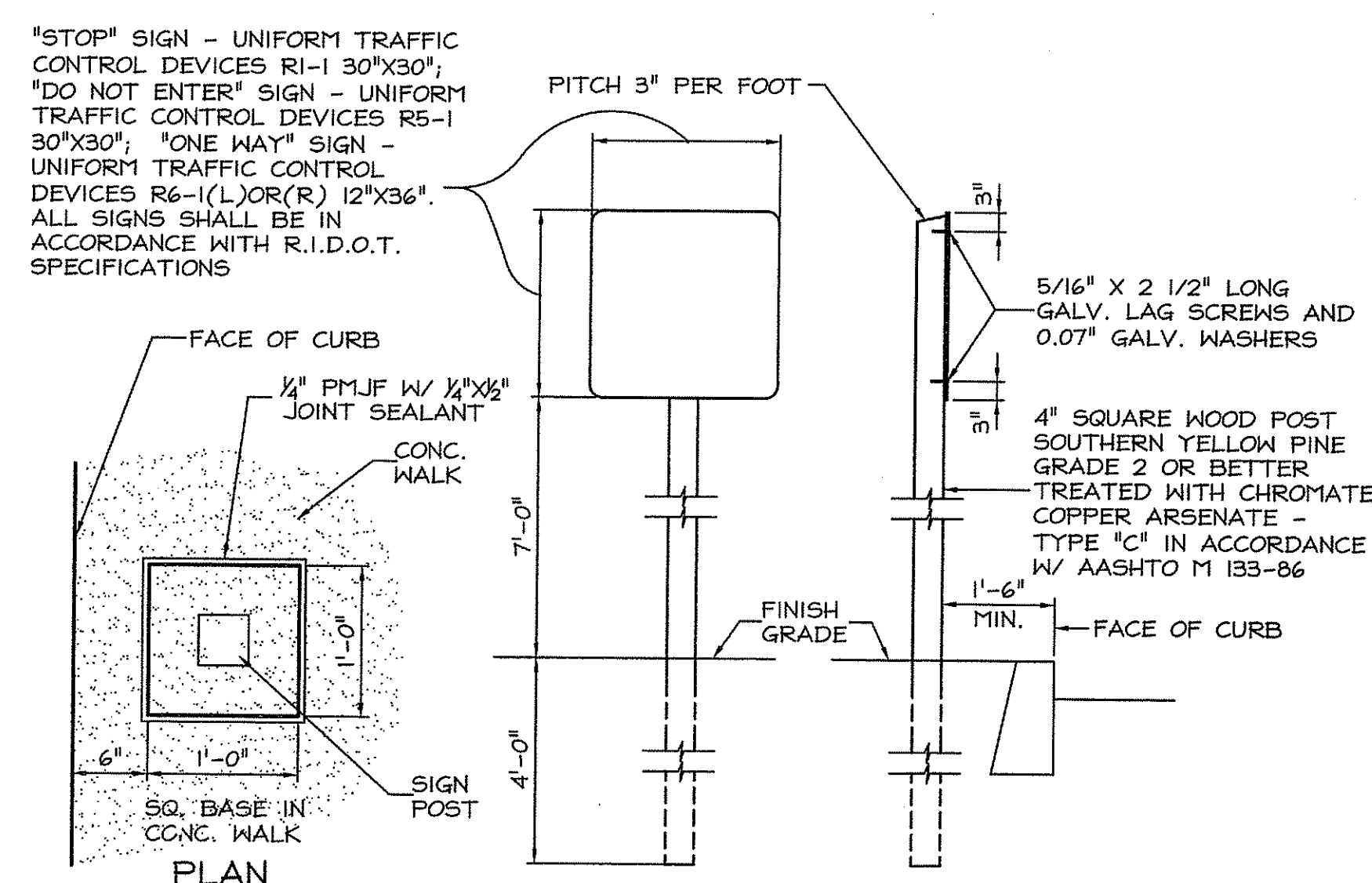
7 PRECAST CONC. TRANSITION CURB

C601 NOT TO SCALE



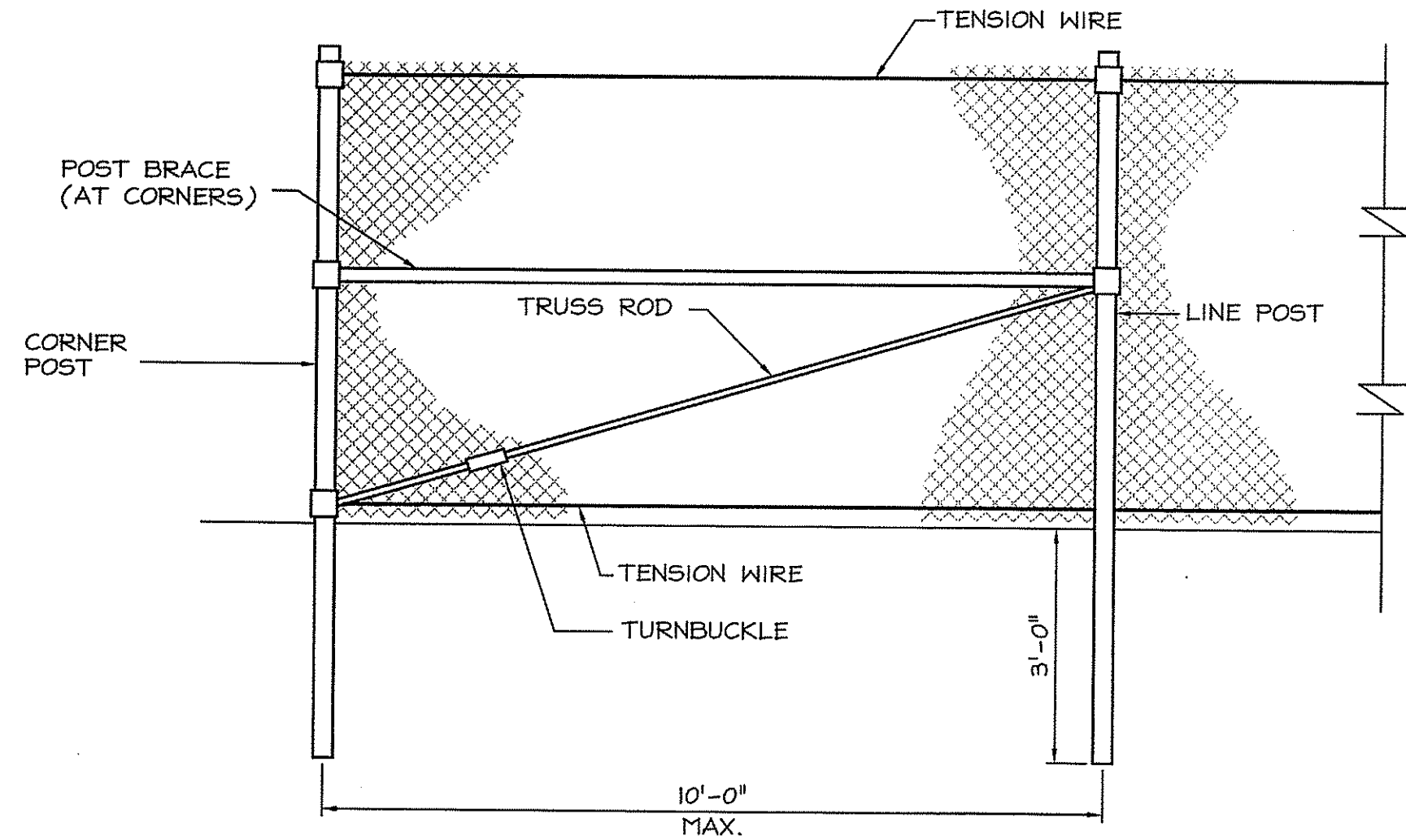
8 PIPE BOLLARD

C601 NOT TO SCALE



9 TRAFFIC CONTROL SIGNS

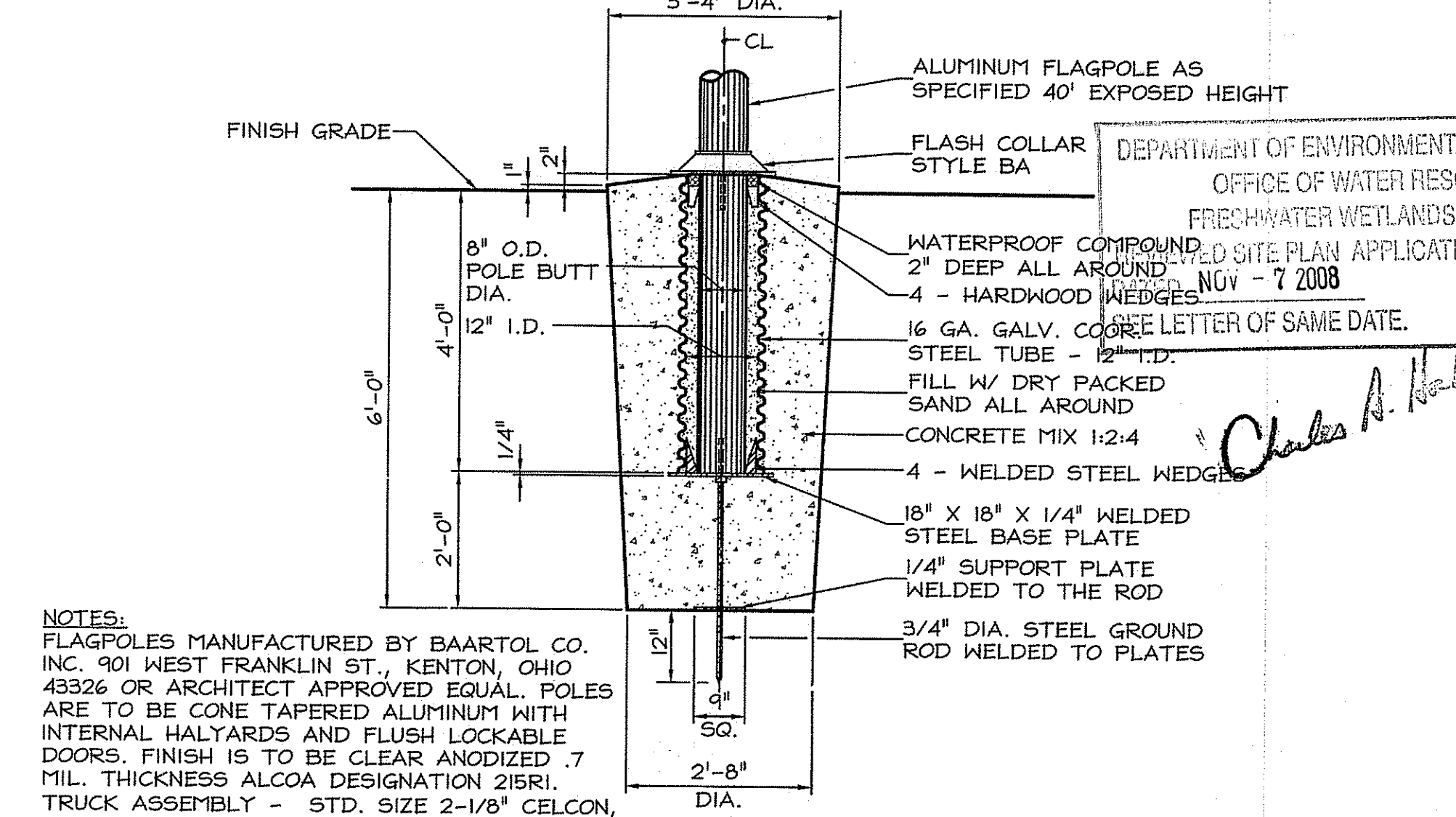
C601 NOT TO SCALE



NOTES:
1. TEMPORARY FENCING SHALL BE 6'-0" HIGH (MIN.)
2. CORNER POSTS- 2.875" O.D., LINE POSTS- 2.375" O.D., GATE POSTS- 4" O.D.
3. FABRIC- # 9 GAUGE, 2" MESH, GALVANIZED.
4. GATES- PROVIDE HORIZONTAL, VERTICAL, AND BRACING TO INSURE PROPER GATE OPERATION. ALSO PROVIDE HINGING, LATCHING, AND LOCKING DEVICES.
5. ALTERNATE METHOD OF POST INSTALLATION MAY BE PERMITTED UPON APPROVAL BY ENGINEER.

10 TEMPORARY CONSTRUCTION FENCE

C601 NOT TO SCALE



NOTES:
FLAGPOLES MANUFACTURED BY BAARTOL CO. INC. 901 WEST FRANKLIN ST., KENTON, OHIO 43526 OR ARCHITECT APPROVED EQUAL. POLES ARE TO BE CONE TAPERED ALUMINUM WITH INTERNAL HALLYARDS AND FLUSH LOCKABLE DOORS. FINISH IS TO BE CLEAR ANODIZED .7 MIL. THICKNESS ALCOA DESIGNATION 215R1. TRUCK ASSEMBLY - STD. SIZE 2-1/8" CELCON, SELF LUBRICATING, DOUBLE SHEAVE REVOLVING TRUCK. WINGSREAD EAGLE FINIAL TOP ALUMINUM & GOLD ANODIZED ON 5/8" SOLID ROD. FLAG SNAPS - ALUMINUM. FLAGS TO BE FURNISHED & INSTALLED BY OWNER.

11 ALUMINUM FLAGPOLE BASE

C601 NOT TO SCALE

This drawing is copyrighted and is subject to copyright protection as an architectural work under 17 U.S.C. Sec. 101 et seq. The protection includes but is not limited to the overall form as well as the arrangement and composition of spaces, materials, color and elements in the design. Under such protection, unauthorized use of this drawing may result in the cessation of construction or buildings being seized and/or monetary compensation being awarded to The Robinson Green Benefits Corporation (RGB).

Any reproduction, possession, or use of this drawing or any part thereof without the express written permission of RGB, is prohibited. Violators will be prosecuted to the full extent of the law.

© RGB 2008

Certification

RUSSELL J. FERLAND
NO. 3636
REGISTERED PROFESSIONAL ENGINEER

9/19/08

Drawn by MAD
Checked by RJF
Revised on

NOTICE OF DOCUMENT SECURITY REQUIREMENTS

PROPERTY OF THE RHODE ISLAND STATE GOVERNMENT

COPYING, DISSEMINATION, OR DISTRIBUTION OF THESE DRAWINGS, PLANS OR SPECIFICATIONS TO UNAUTHORIZED PERSONS IS STRICTLY PROHIBITED.

DO NOT REMOVE THIS NOTICE

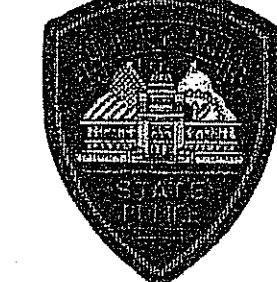
Return Documents to Authorized Locations For Destruction as Delineated in Project Manual.

These documents shall not be reproduced without the exclusive written permission of the Owner under any circumstances. Authorization can be obtained from the Owner as defined in the project manual.

50 Holden Street
Providence, Rhode Island 02908
Phone: (401) 272-1730
Fax: (401) 273-7156
E-mail: rgbinfo@rgb.net
www.rgb.net

Architecture · Engineering · Interior Design

RHODE ISLAND STATE POLICE NEW HEADQUARTERS



&
RHODE ISLAND E9-1-1
NEW PRIMARY PUBLIC SAFETY ANSWERING POINT FACILITY

DEPARTMENT OF ENVIRONMENTAL MANAGEMENT
OFFICE OF WATER RESOURCES
FRESHWATER WETLANDS PROGRAM
FIELD SITE PLAN APPLICATION NO. 08-096
NOV - 7 2008

9-1-1

A.P. 32 LOT 34
NORTH SCITUATE, RHODE ISLAND

FOR PERMITTING

Issued On 9/19/2008

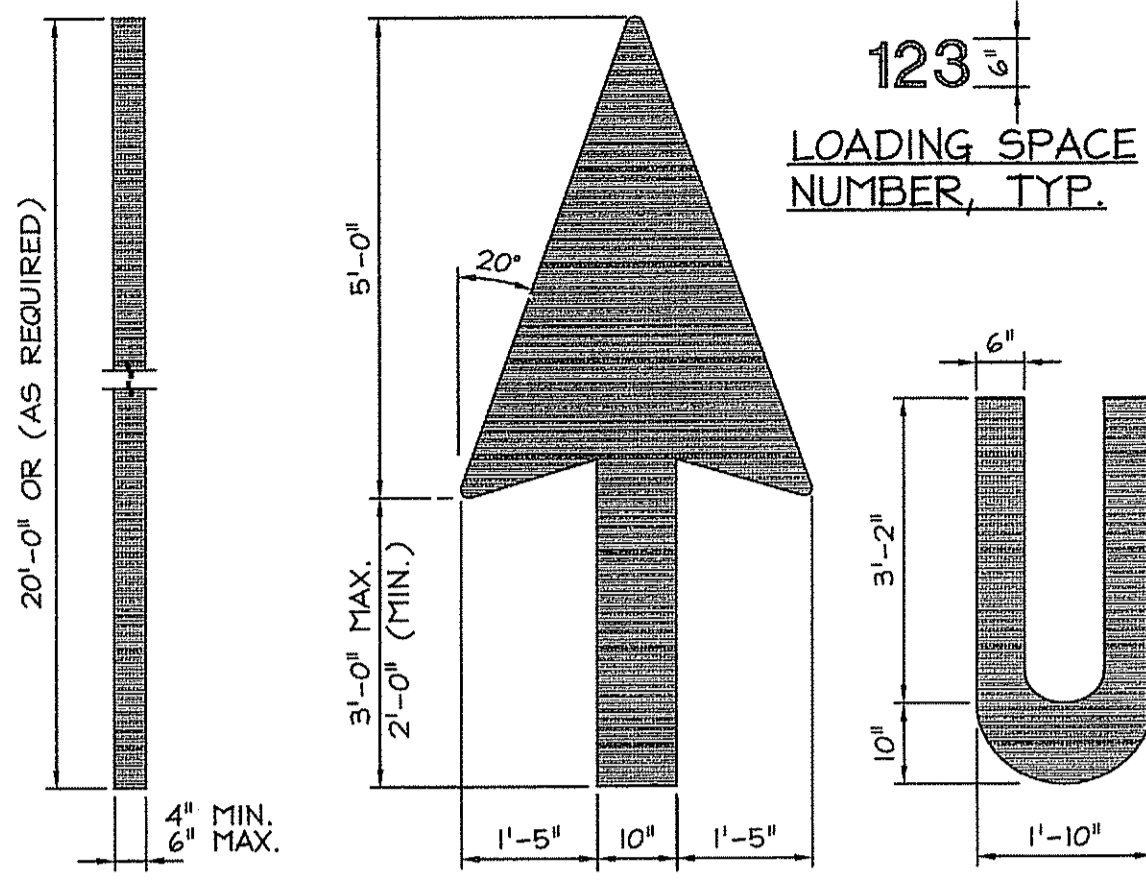
Sheet Contents

DETAILS

RECEIVED
SEP 24 2008
OFFICE OF PERMITTING

Project Number. 5732
Drawing No.

C601

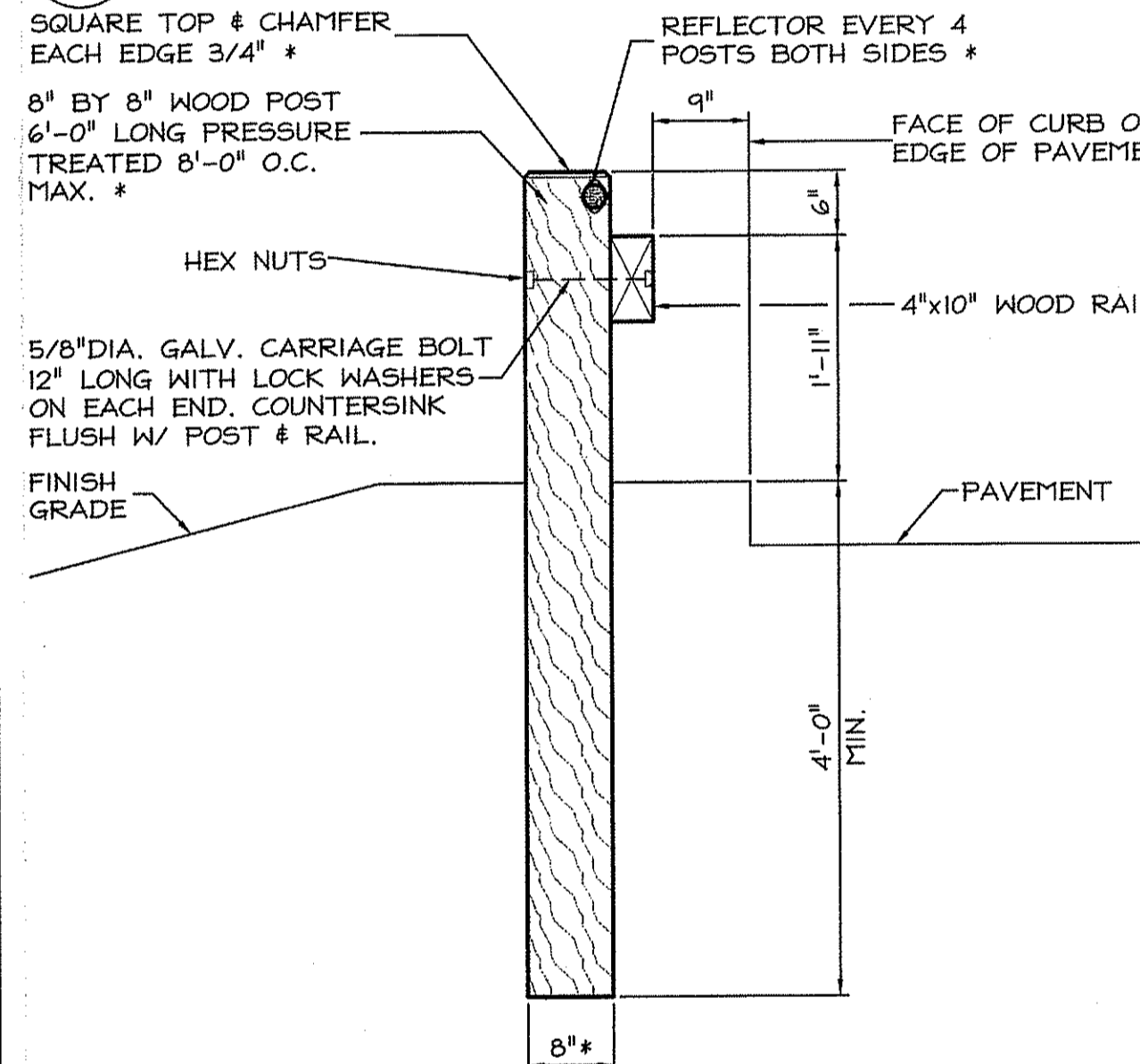


PAVEMENT STRIPING TRAFFIC ARROW LETTER

NOTE: USE NON-REFLECTIVE WHITE PAINT, TYP. BUT USE YELLOW PAINT ON CONCRETE OR OTHER SURFACES WHERE WHITE PAINT DOES NOT PROVIDE SUFFICIENT CONTRAST.

1 PAVEMENT MARKINGS

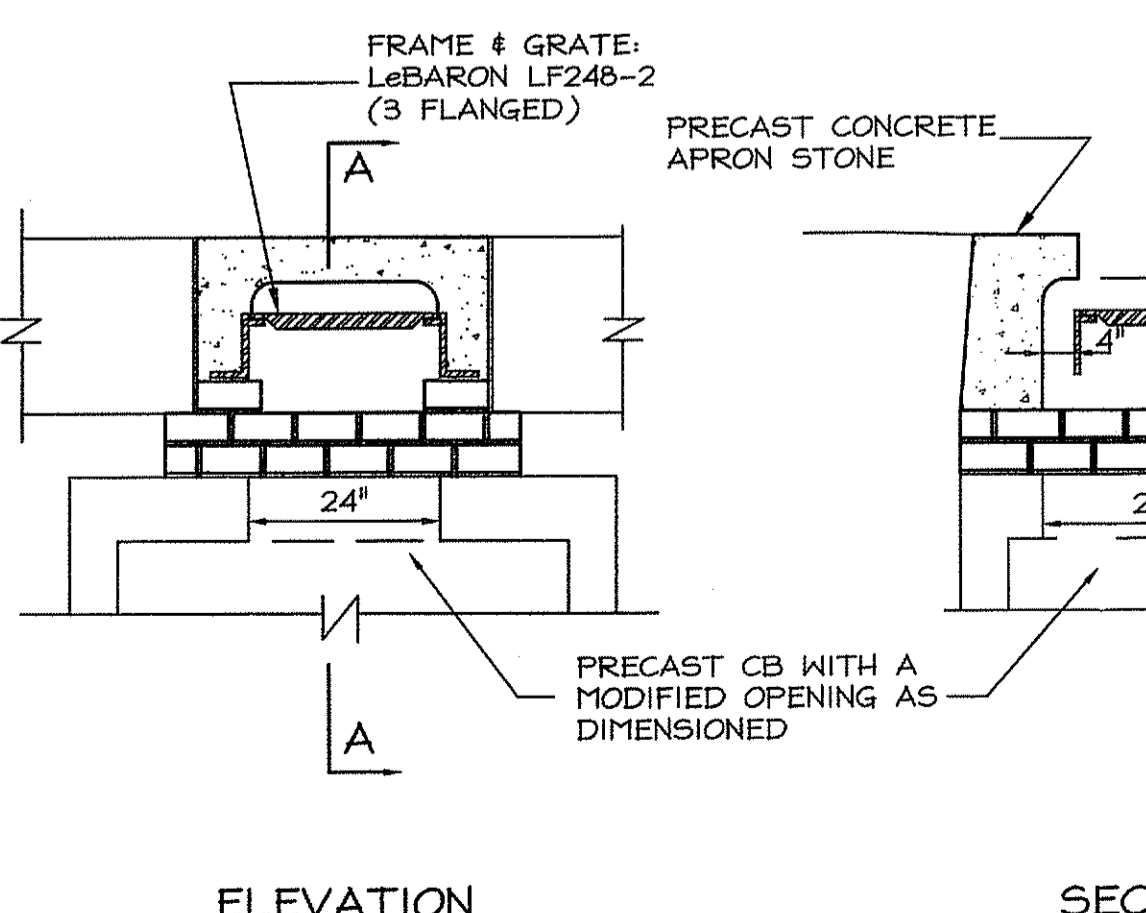
C602 NOT TO SCALE



NOTES:
 1. ALL WOOD SHALL BE SELECT STRUCTURAL GRADE SOUTHERN YELLOW PINE OR DOUGLAS FIR, S-4-S.
 2. ALL WOOD SHALL BE FULL CELL PROCESS PRESSER TREATED IN ACCORDANCE AWPB-LP33.
 3. SPACE POSTS 7'-9" O.C. MAXIMUM.
 4. RAIL ENDS SHALL BE BURIED OR HAVE A TERMINAL SECTION.
 5. GUARD RAIL AND POST SHALL COMPLY WITH LOCAL OR STATE STANDARD SPECIFICATIONS.
 6. ALL NUTS BOLTS & WASHERS TO BE GALVANIZED.
 7. * - GUARD RAIL TO MATCH EXISTING ON-SITE GUARD RAIL.

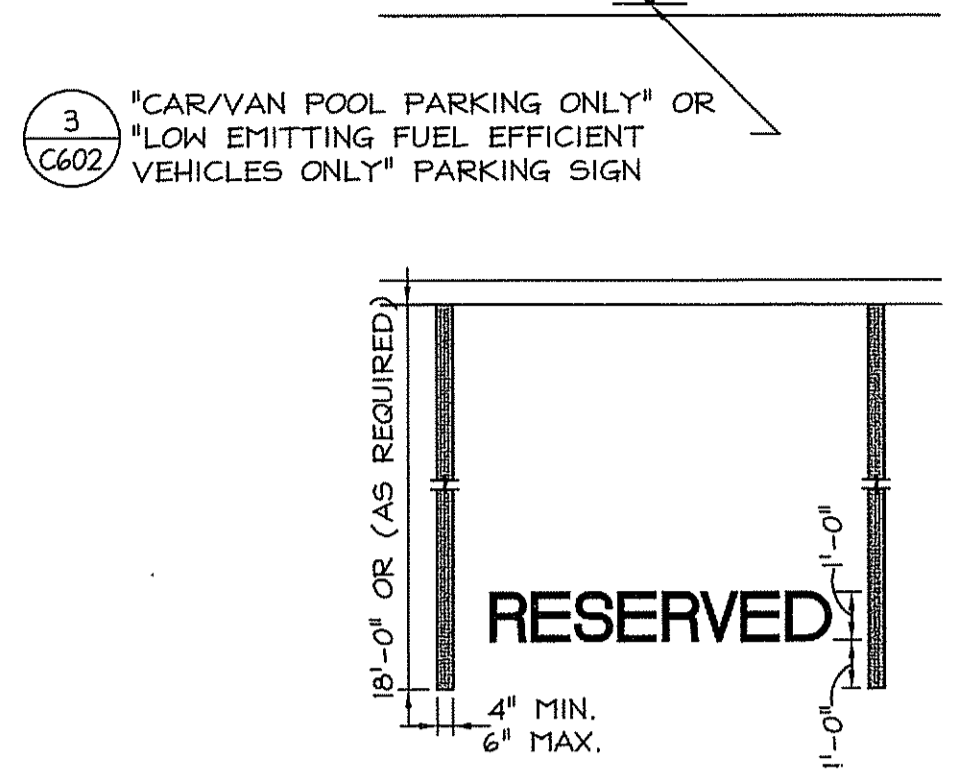
5 RUSTIC GUARD RAIL

C602 NOT TO SCALE



8 CATCH BASIN - CURB INLET

C602 NOT TO SCALE



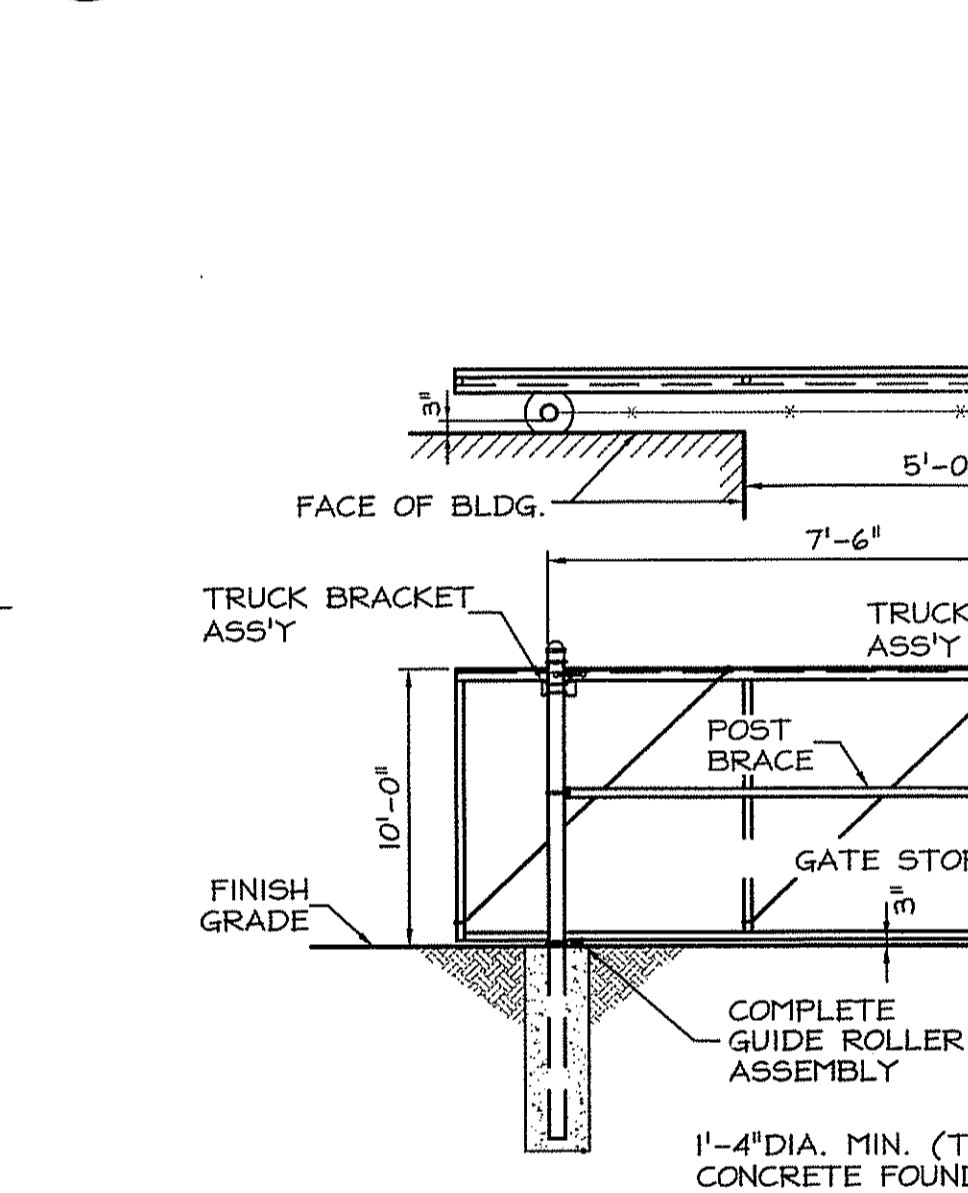
3 MISCELLANEOUS SIGNS

C602 NOT TO SCALE

NOTE: CONSTRUCT IN 13 LOCATIONS: 6 CAR/VAN POOL, AND 7 FUEL EFFICIENT.
 NOTE: USE NON-REFLECTIVE WHITE PAINT, TYP. BUT USE YELLOW PAINT ON CONCRETE OR OTHER SURFACES WHERE WHITE PAINT DOES NOT PROVIDE SUFFICIENT CONTRAST.

2 PAVEMENT MARKINGS

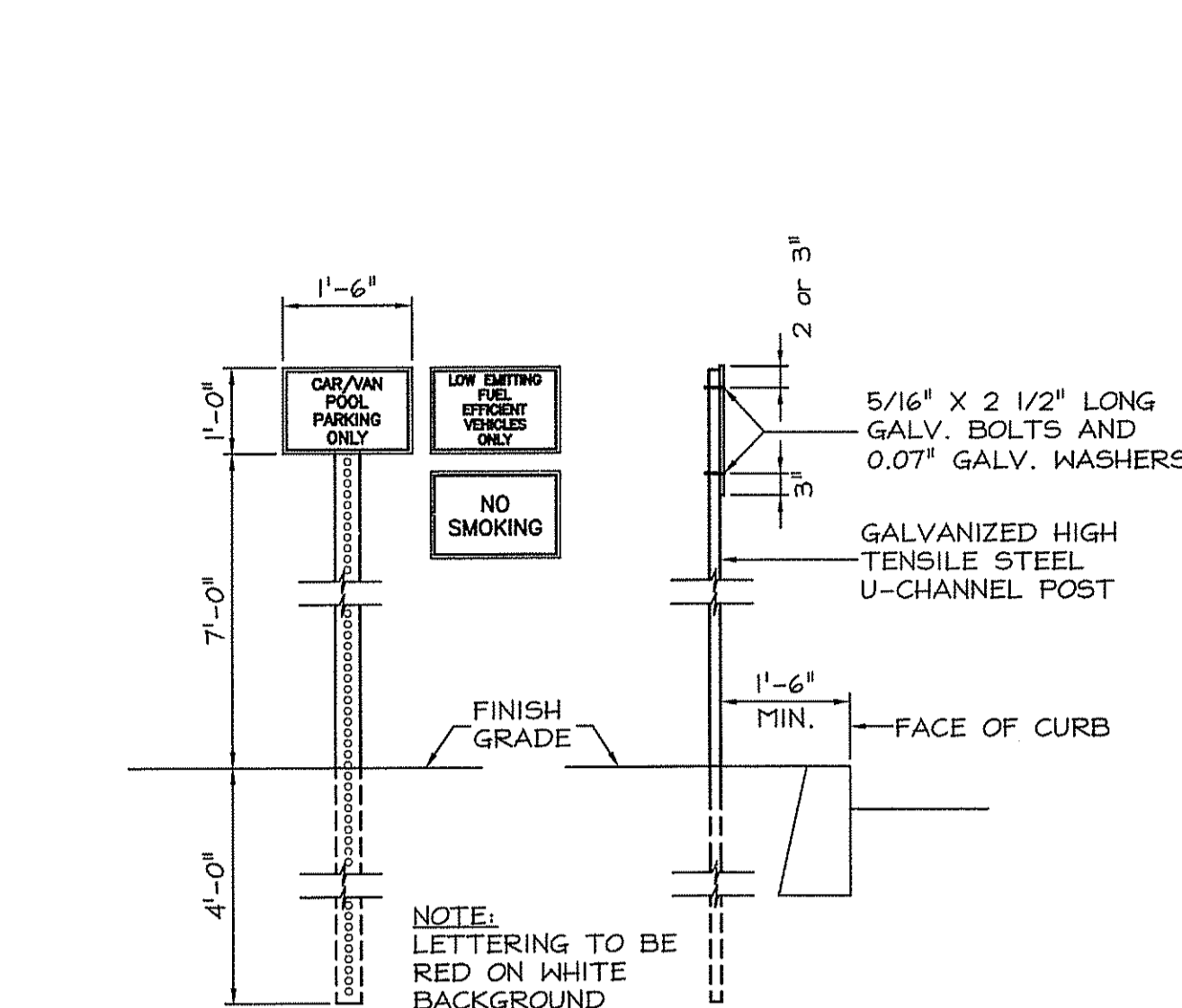
C602 NOT TO SCALE



6 CANTILEVER GATE

C602 NOT TO SCALE

NOTE: REFER TO SPECIFICATIONS FOR PIPE SIZES & MESH REQUIREMENTS



4 ANTI-CLIMB CHAIN LINK FENCE @ CIU & SALLEY PORT

C602 NOT TO SCALE

NOTES:
 1. FENCING HEIGHT SHALL BE 10'-0".
 2. CORNER POSTS- 4" O.D., LINE POSTS- 3" O.D., GATE POSTS- 4" O.D.
 3. ANTI-CLIMB FABRIC- # 11 GAUGE, 3/8" MESH, BLACK PERMAFUSE COATED, GALVANIZED TOP SELVAGE BARBED & TWISTED AND BOTTOM SELVAGE CLOSED KNUCKLE W/ BLACK PERMAFUSE COATED, HOT-DIPPED
 4. ALL STEEL PARTS TO BE BLACK PERMAFUSE COATED, HOT-DIPPED
 * GALVANIZED PER ASTM SPECIFICATIONS.
 5. REFER TO SPECIFICATIONS FOR FURTHER INFORMATION.

9 HEADWALL

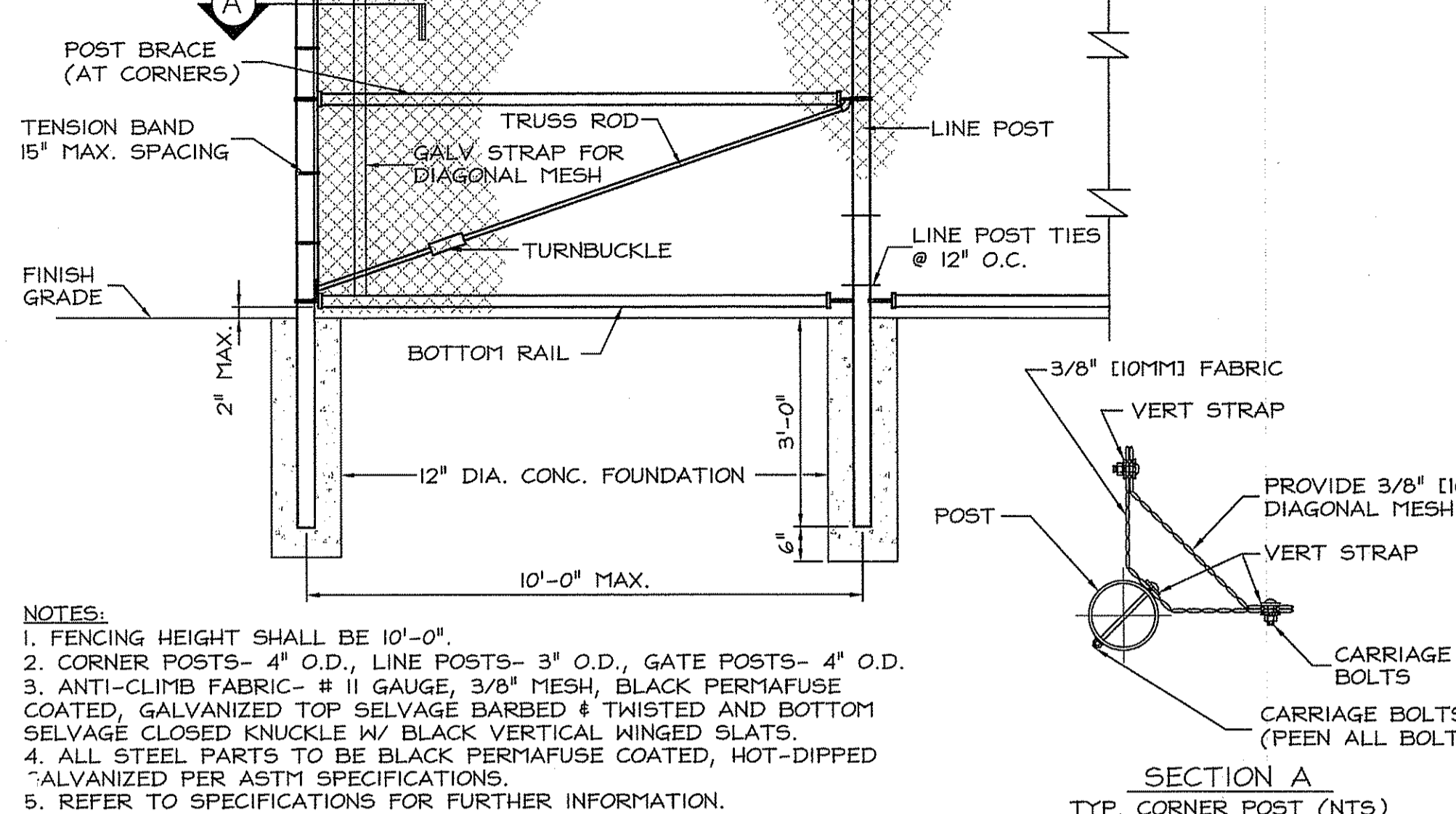
C602 NOT TO SCALE



NOTES:
 1. 3/4" CHAMFER ON ALL EXPOSED EDGES.
 2. CLASS A(AE) CONCRETE
 3. FIELD STONE HEADWALLS MAY BE USED.

9 HEADWALL

C602 NOT TO SCALE



7 FIELDSTONE WALL

C602 NOT TO SCALE

NOTES:
 1. RIP RAP TO BE 12" CLASS R-5 ON 6" RIP RAP BEDDING FS-2.

10 RIP RAP AT HEADWALL

C602 NOT TO SCALE

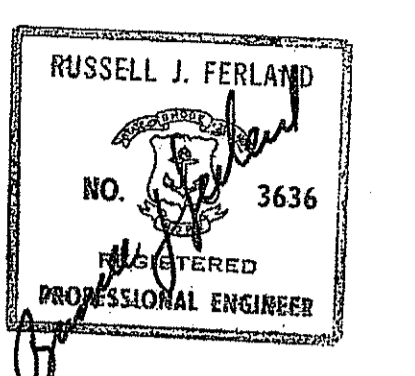


NOTES:
 1. RIP RAP TO BE 12" CLASS R-5 ON 6" RIP RAP BEDDING FS-2.

10 RIP RAP AT HEADWALL

C602 NOT TO SCALE

This drawing is copyrighted and is subject to copyright protection as an "architectural work" under 17 U.S.C. Sec. 101 et seq. The protection includes but is not limited to the overall form as well as the arrangement and composition of space, materials, color and elements in the design. Under such protection, unauthorized use of this drawing may result in the cessation of construction or buildings being seized and/or monetary compensation being awarded to The Robinson Green Beretta Corporation (RGB).
 Any reproduction, possession, or use of this drawing or any part thereof without the express written permission of RGB, is prohibited. Violators will be prosecuted to the full extent of the law.
 © RGB 2008



9/19/08
 Drawn by MAD, JND
 Checked by RJF
 Revised on

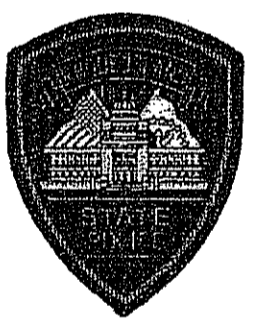
NOTICE OF DOCUMENT SECURITY REQUIREMENTS

PROPERTY OF THE RHODE ISLAND STATE GOVERNMENT
 COPYING, DISSEMINATION, OR DISTRIBUTION OF THESE DRAWINGS, PLANS OR SPECIFICATIONS TO UNAUTHORIZED PERSONS IS STRICTLY PROHIBITED.
 DO NOT REMOVE THIS NOTICE!
 Return Documents to Authorized Locations For Destruction as Delineated in Project Manual.
 These documents shall not be reproduced without the exclusive written permission of the Owner under any circumstances. Authorization can be obtained from the Owner as defined in the project manual.

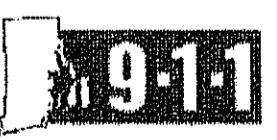
60 Holden Street
 Providence, Rhode Island 02908
 Phone: (401) 272-1720
 Fax: (401) 272-1720
 E-mail: rgbinfo@rgb.net
 www.rgb.net



Architecture · Engineering · Interior Design
 Project RHODE ISLAND STATE POLICE NEW HEADQUARTERS



&
 RHODE ISLAND E9-1-1
 NEW PRIMARY PUBLIC SAFETY ANSWERING POINT FACILITY



A.P. 32 LOT 34
 NORTH SITUATE, RHODE ISLAND

DEPARTMENT OF ENVIRONMENTAL MANAGEMENT
 OFFICE OF WATER RESOURCES
 FRESHWATER WETLANDS PROGRAM
 REVIEWED SITE PLAN APPLICATION NO. 08-086
 DATED NOV - 7 2008
 SEE LETTER OF SAME DATE.

Charles A. [Signature]

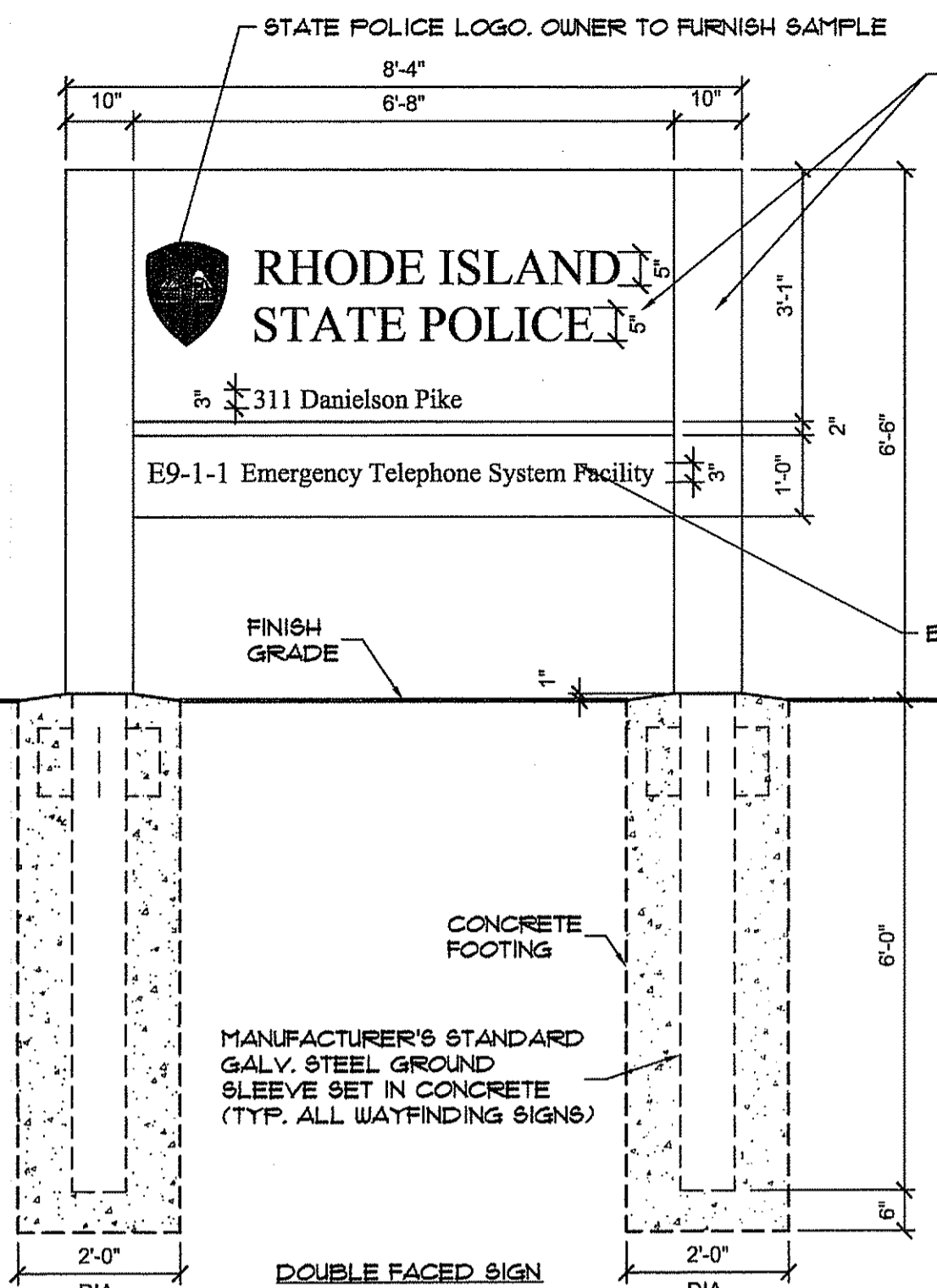
Drawing Status FOR PERMITTING

Issued On 9/19/2008
 Sheet Contents DETAILS

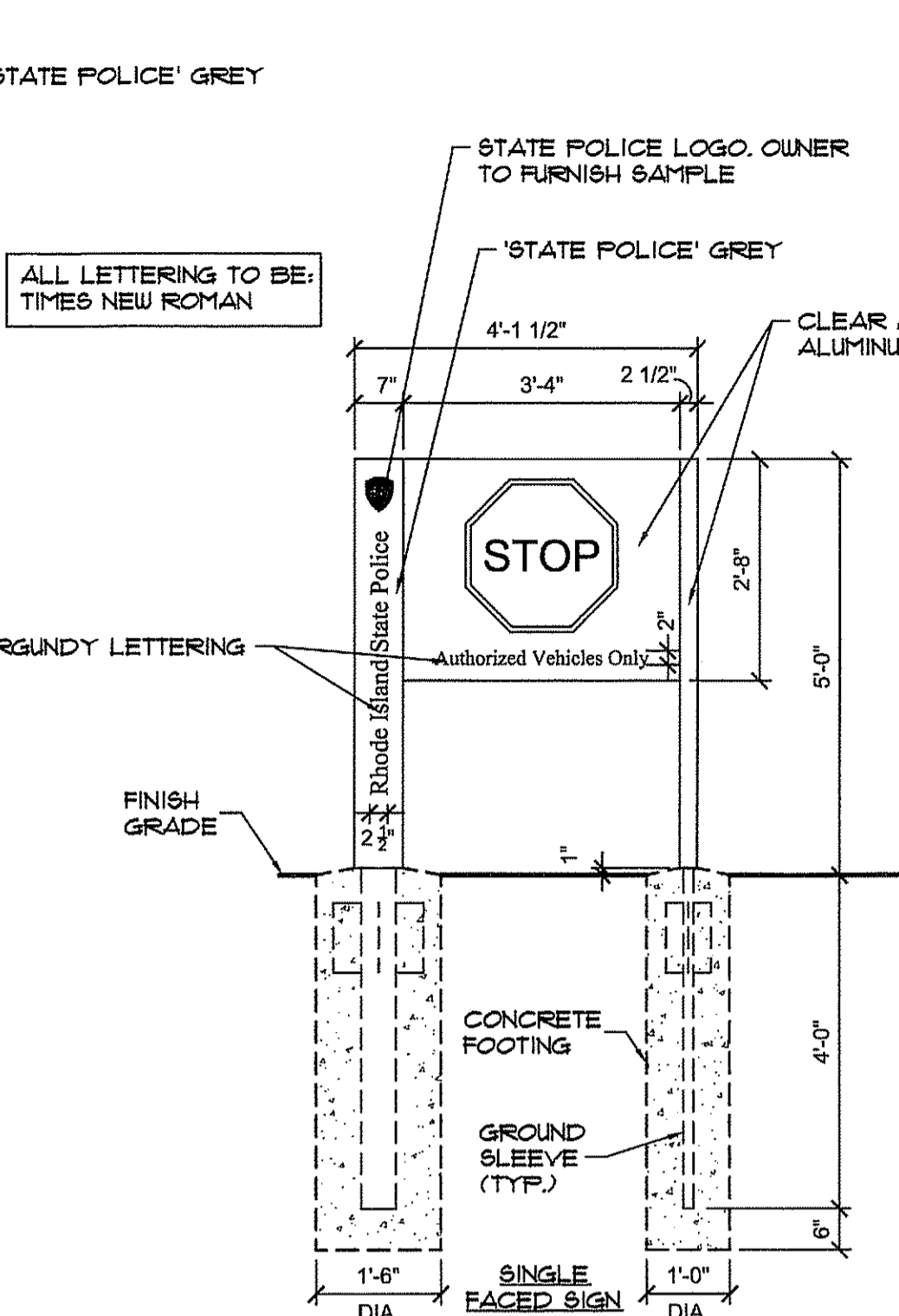
Project Number. 5732
 Drawing No.

C602

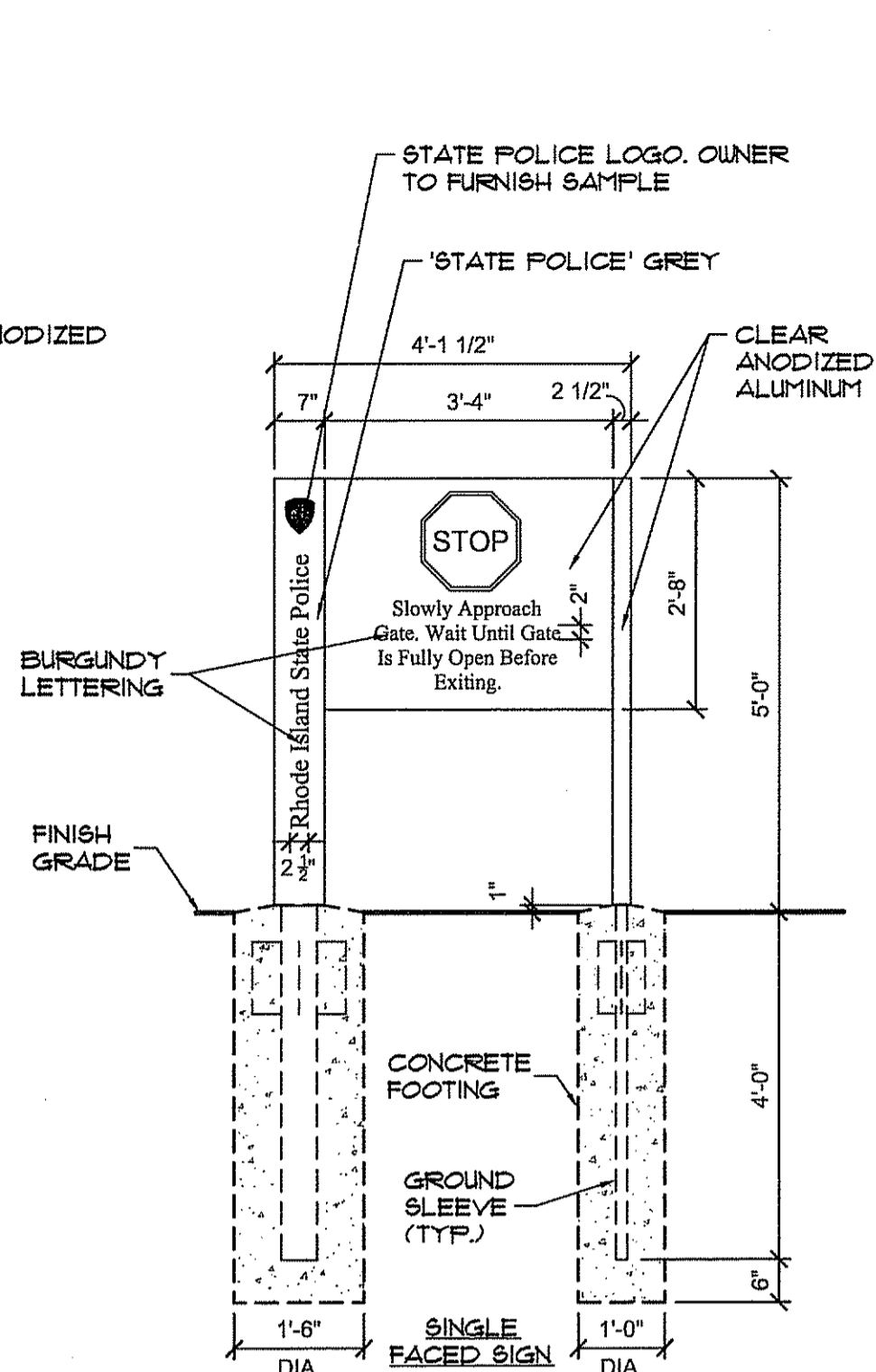
Sheet 15 of 27



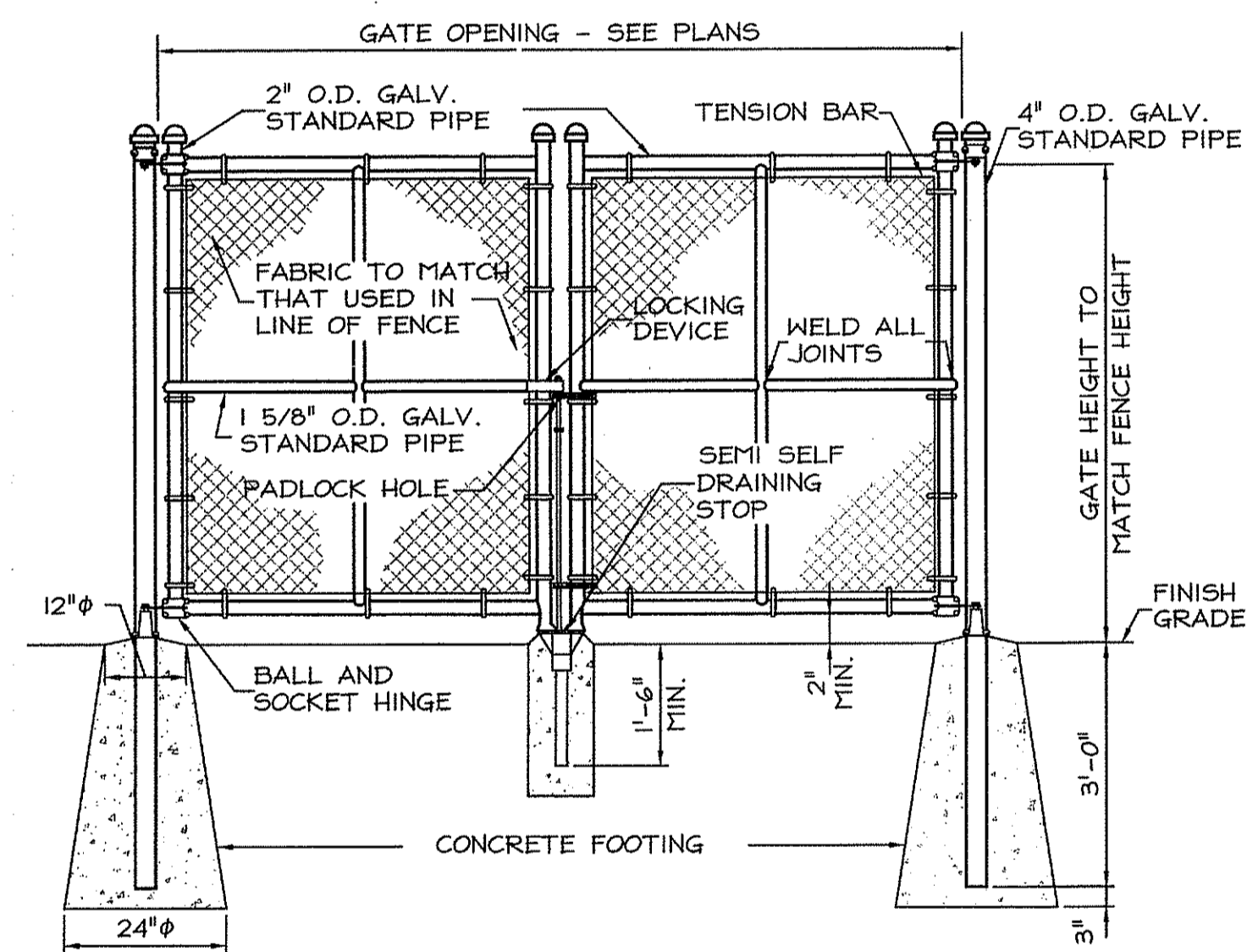
1 PRIMARY WAYFINDING SIGN
 SCALE: 1" = 1'-0"



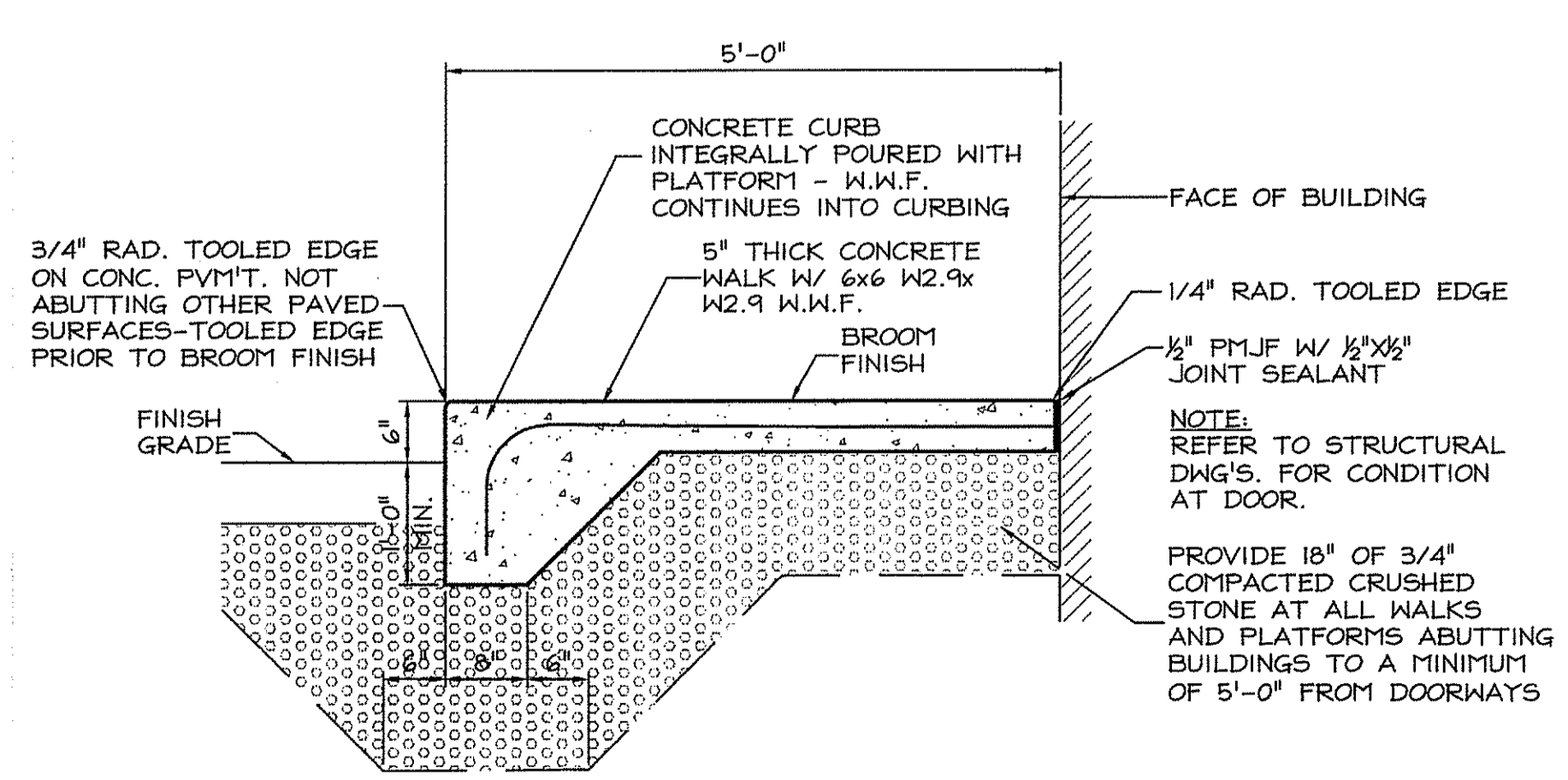
2 SECONDARY WAYFINDING SIGN - TYPE B1
 SCALE: 1" = 1'-0"



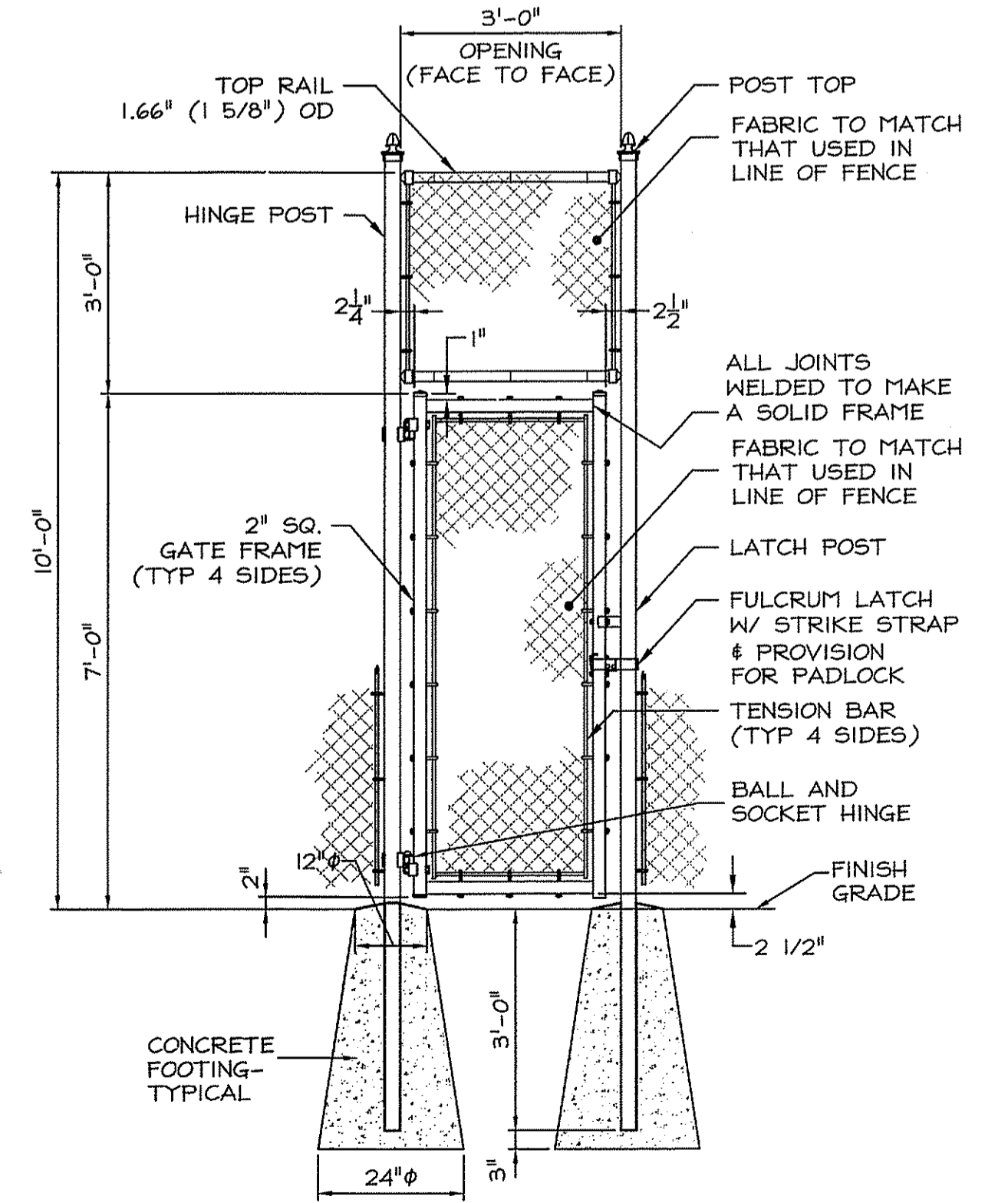
3 EXIT SIGN - TYPE B3
 SCALE: 1" = 1'-0"



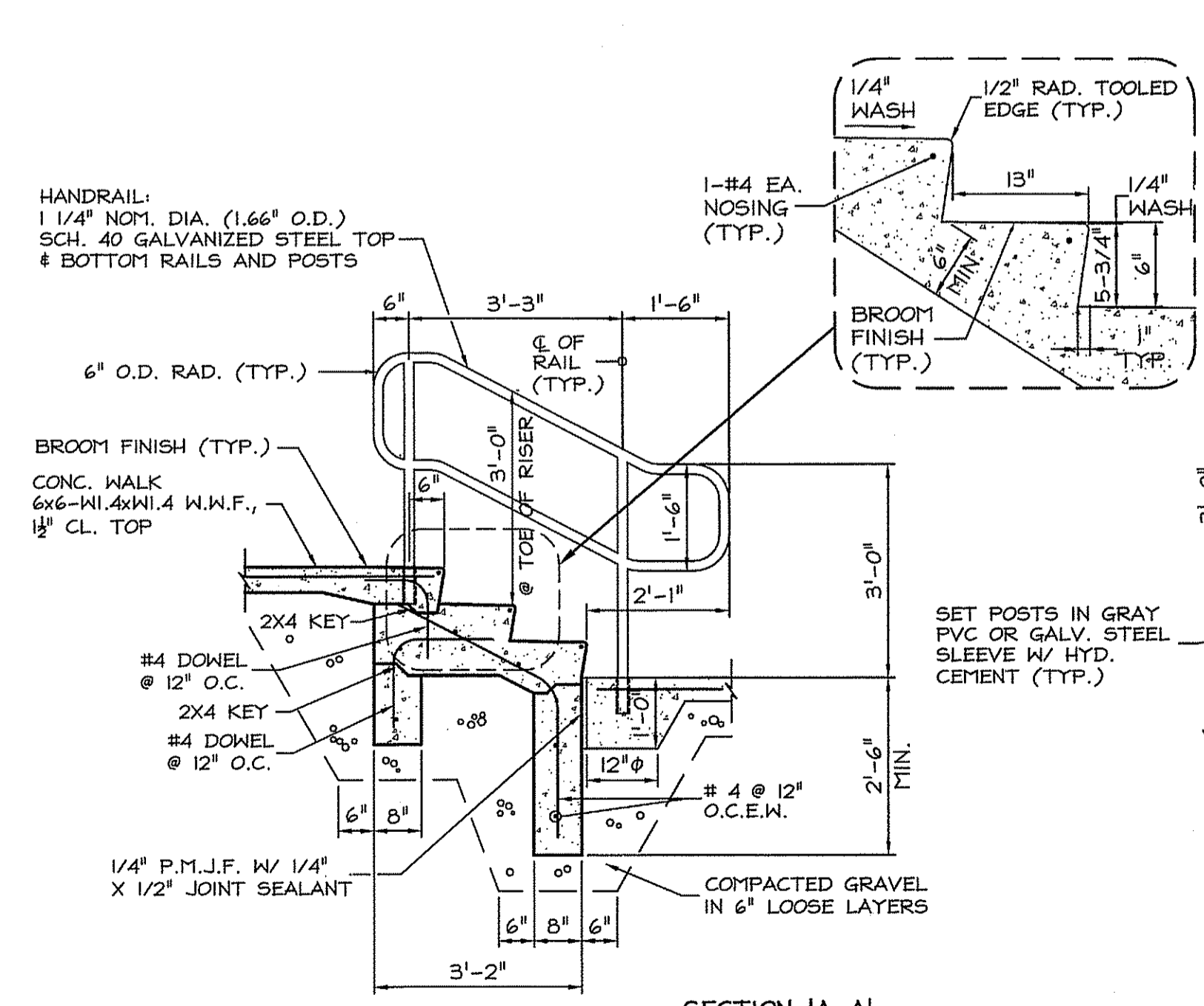
6 DOUBLE SWING GATE
 NOT TO SCALE



7 CONCRETE STEP & PLATFORM
 NOT TO SCALE

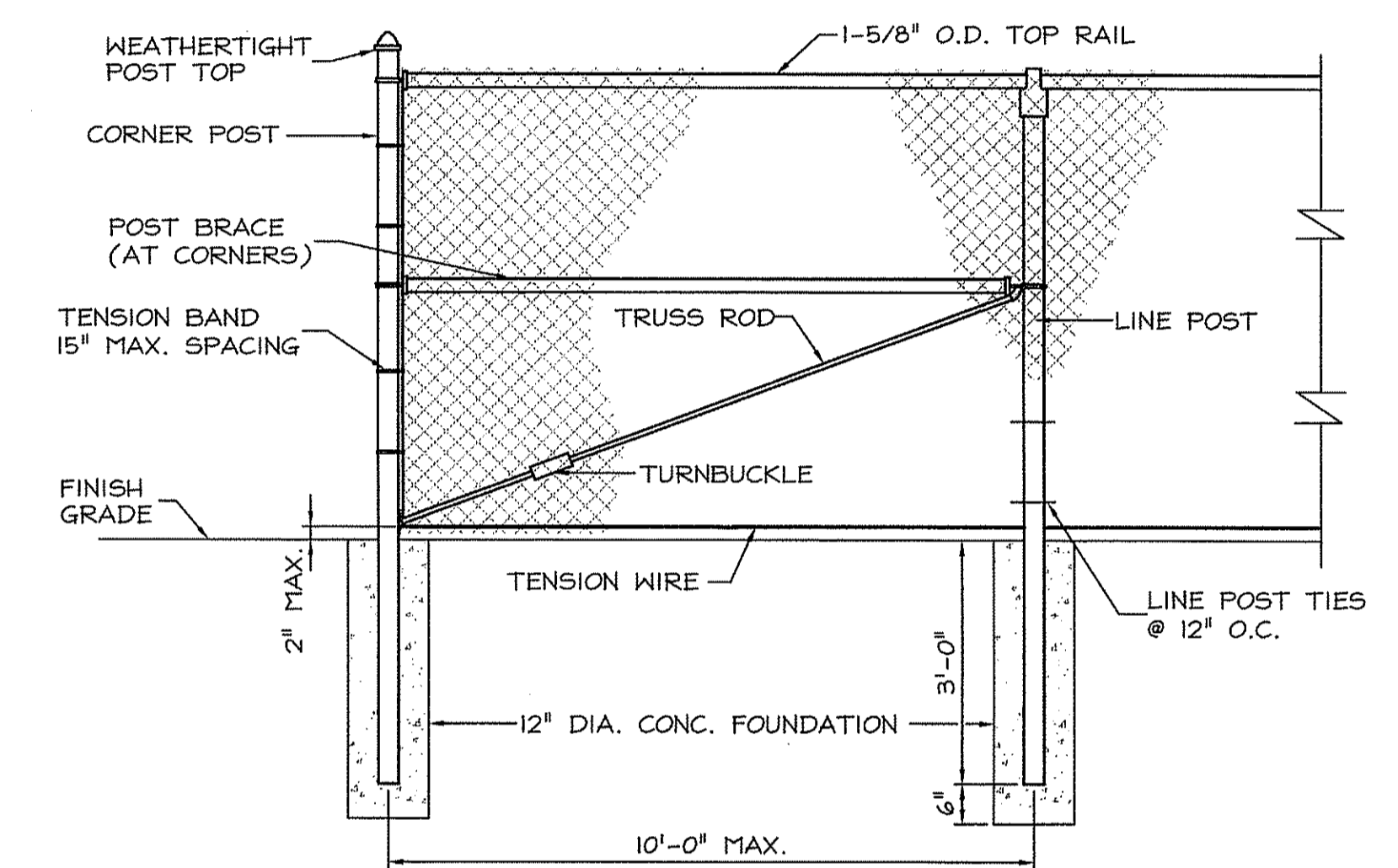


8 SINGLE SWING GATE
 NOT TO SCALE

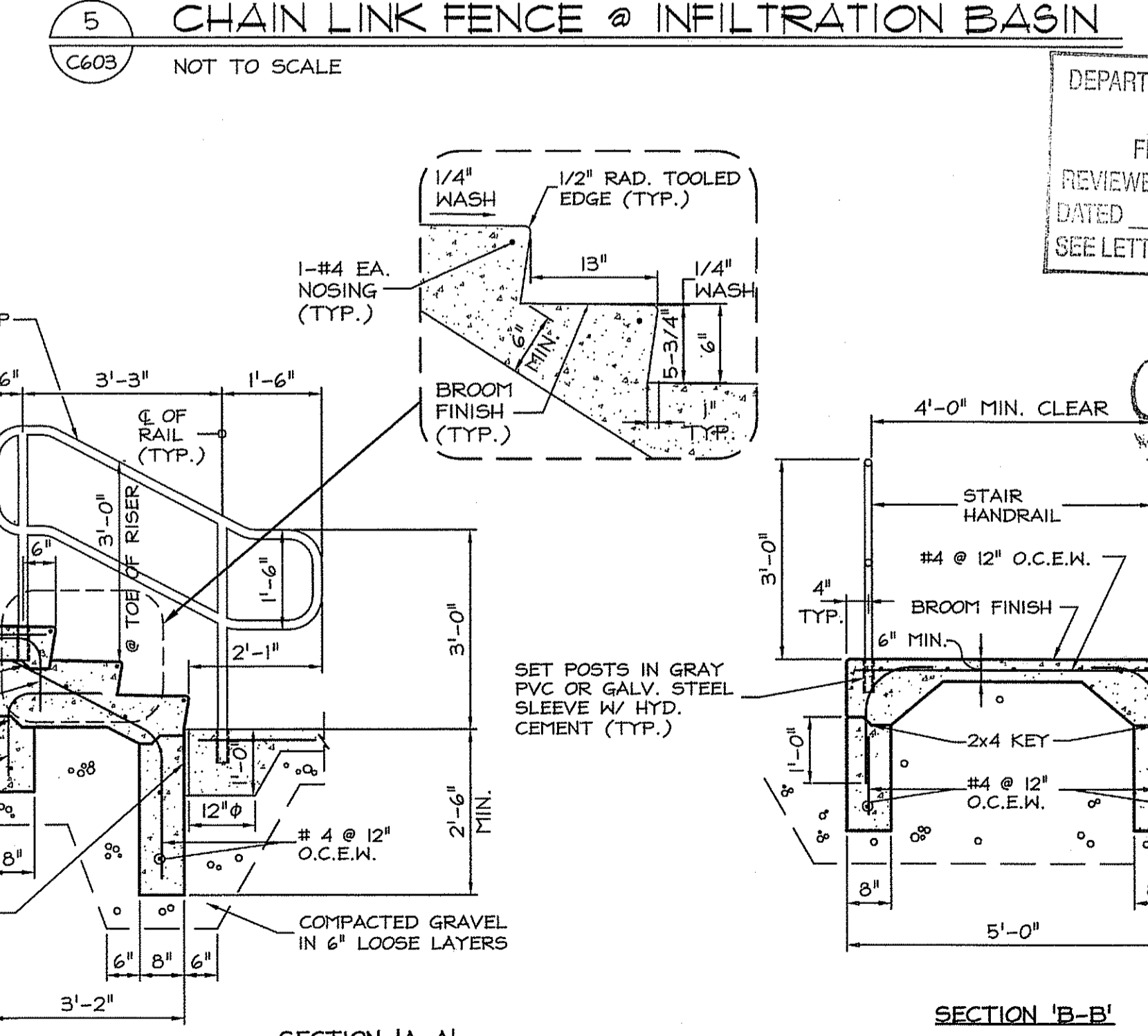


9 CONCRETE STAIRS #1
 NOT TO SCALE

4 ACCESS RAMP @ RECYCLING
 NOT TO SCALE

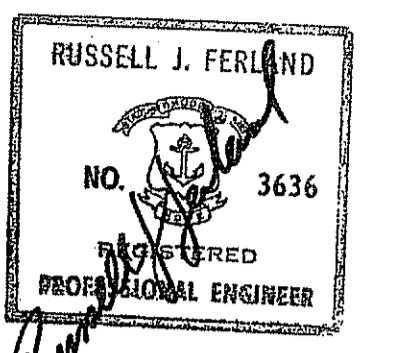


5 CHAIN LINK FENCE @ INFILTRATION BASIN
 NOT TO SCALE



4 ACCESS RAMP @ RECYCLING
 NOT TO SCALE

This drawing is copyrighted and is subject to copyright protection as an "architectural work" under 17 U.S.C. Sec. 101 et seq. The protection includes but is not limited to the overall form as well as the arrangement and composition of spaces, materials, color and elements in the design. Under such protection, unauthorized use of this drawing may result in the cessation of construction or buildings being erected and/or monetary compensation being awarded to The Robinson Green Beretta Corporation (RGB).
 Any reproduction, possession, or use of this drawing or any part thereof without the express written permission of RGB, is prohibited. Violators will be prosecuted to the full extent of the law.
 © RGB 2008



9/19/08
 Drawn by MAD, JND
 Checked by RJF

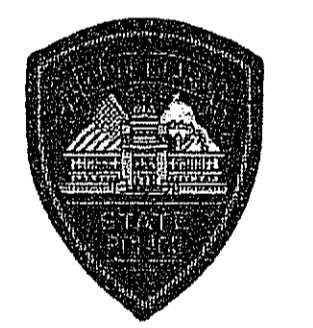
NOTICE of DOCUMENT SECURITY REQUIREMENTS
 PROPERTY OF THE RHODE ISLAND STATE GOVERNMENT
 COPYING, DISSEMINATION, OR DISTRIBUTION OF THESE DRAWINGS, PLANS OR SPECIFICATIONS TO UNAUTHORIZED PERSONS IS STRICTLY PROHIBITED.
 DO NOT REMOVE THIS NOTICE!
 Return Documents to Authorized Locations For Destruction as Delineated in Project Manual.
 These documents shall not be reproduced without the exclusive written permission of the Owner under any circumstances. Authorization can be obtained from the Owner as defined in the project manual.

50 Holden Street
 Providence, Rhode Island 02908
 Phone: (401) 272-1730
 Fax: (401) 273-7168
 E-mail: rgbinfo@rgb.net
 www.rgb.net
 Architecture · Engineering · Interior Design

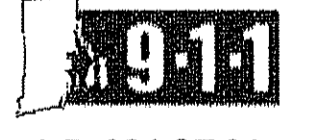


RHODE ISLAND STATE POLICE NEW HEADQUARTERS

DEPARTMENT OF ENVIRONMENTAL MANAGEMENT
 OFFICE OF WATER RESOURCES
 FRESHWATER WETLANDS PROGRAM
 REVIEWED SITE PLAN APPLICATION NO. 68-036
 DATED NOV - 7 2008
 SEE LETTER OF SAME DATE.



RHODE ISLAND STATE POLICE NEW HEADQUARTERS



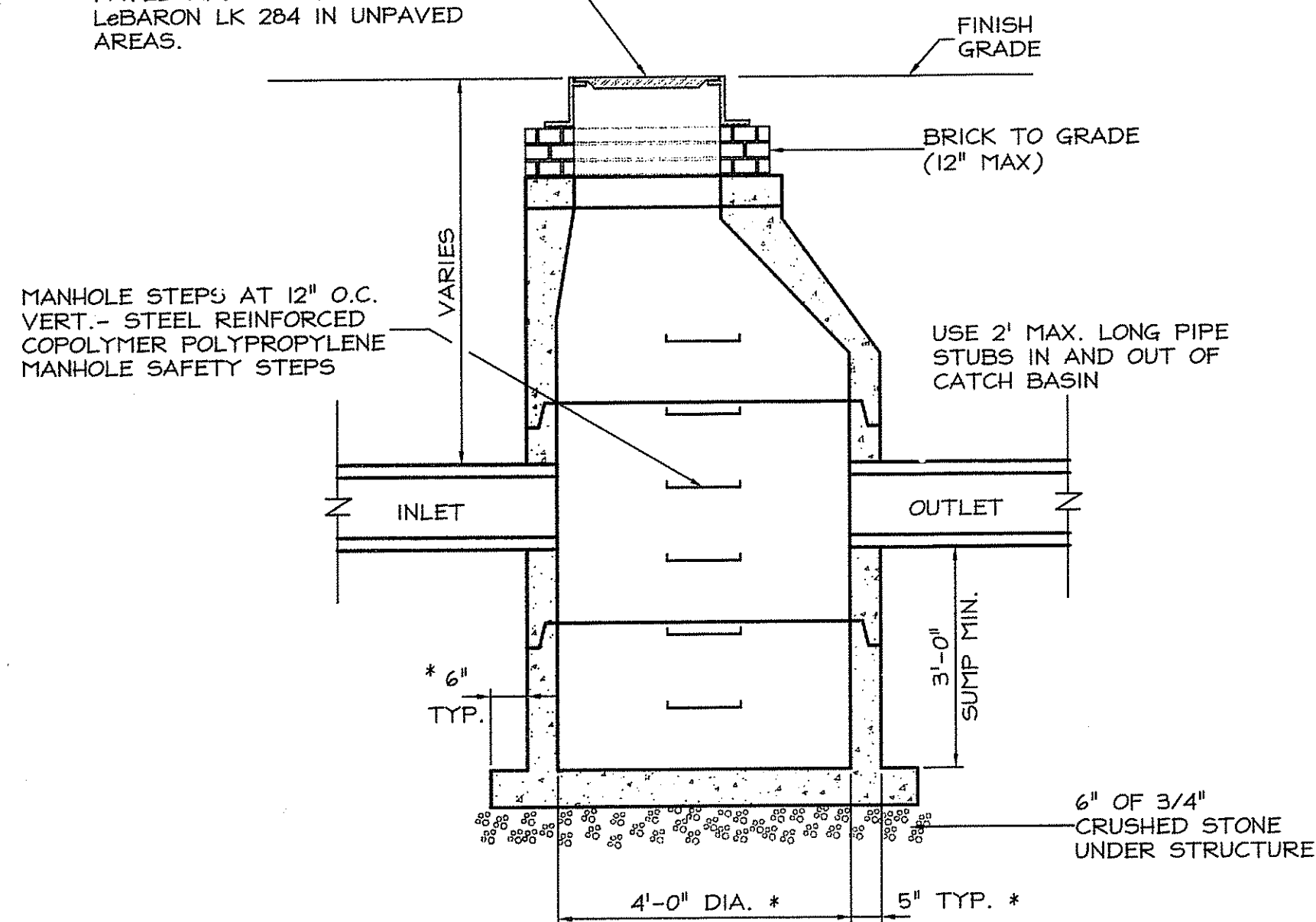
A.P. 32 LOT 34
 NORTH SCITUATE, RHODE ISLAND

FOR PERMITTING

Issued On 9/19/2008
 Sheet Contents
DETAILS

Project Number 5732
 Drawing No. **C603**
 Sheet 16 of 27

FRAME & GRATE:
LeBARON LF248-2 (4 FLANGE;
W/ 3 FLANGE @ CURB INLETS) IN
PAVED AREAS AND
LeBARON LK 284 IN UNPAVED
AREAS.

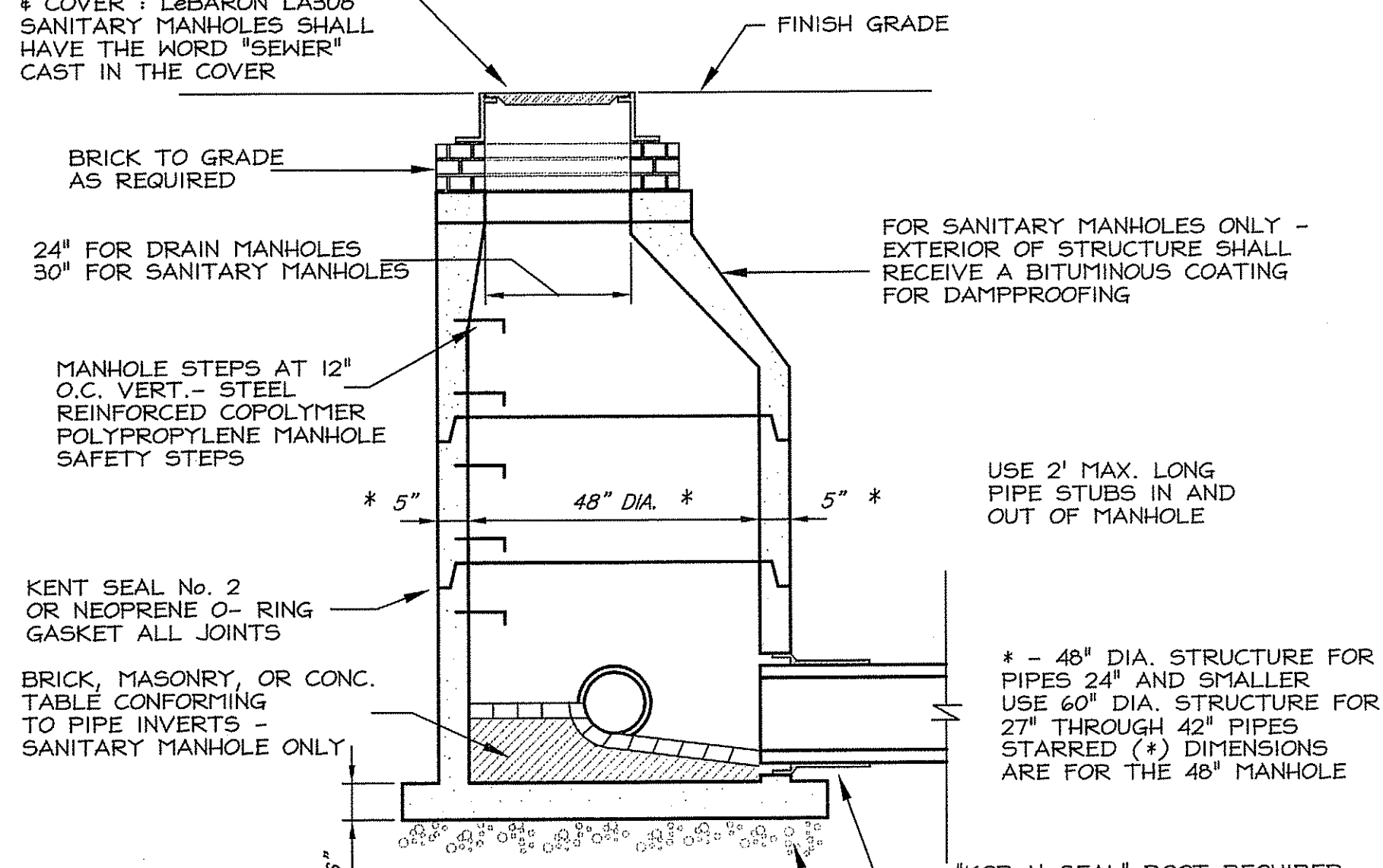


- NOTES:
1. PRECAST STRUCTURE SHALL BE DESIGNED FOR AASHTO H5-20 LOADS
2. * - 48" DIA. FOR PIPES 24" AND SMALLER USE 60" DIA. STRUCTURE. FOR
27" THROUGH 42" PIPE SIZES STARRED (*) DIMS ARE FOR THE 48" DIA.
STRUCTURE

1 PRECAST CATCH BASIN

C604 NOT TO SCALE

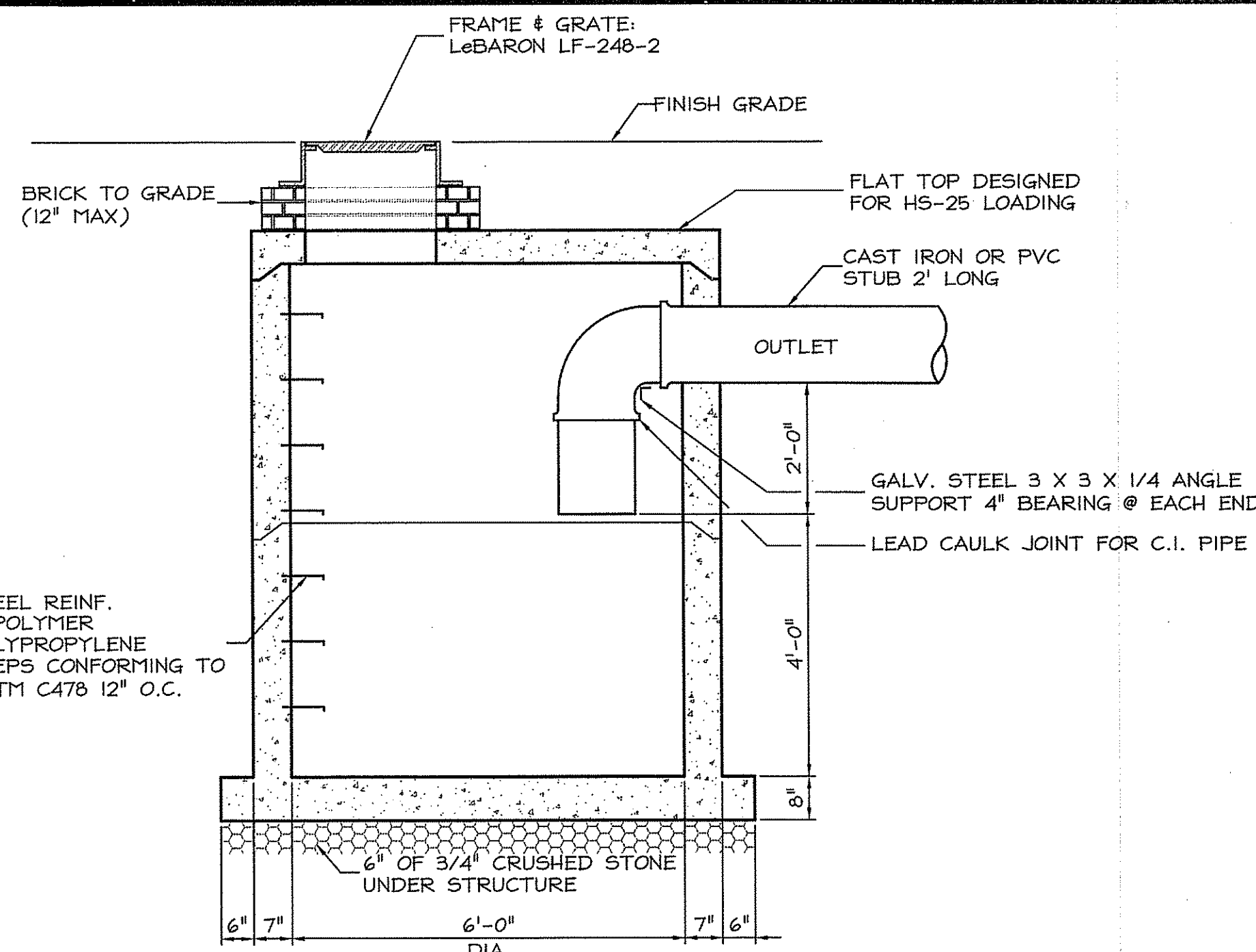
DRAIN MANHOLE FRAME
& COVER : LeBARON LK256
DRAIN MANHOLES SHALL
HAVE THE WORD "DRAIN"
CAST IN THE COVER
SANITARY MANHOLE FRAME
& COVER : LeBARON LA305
SANITARY MANHOLES SHALL
HAVE THE WORD "SEWER"
CAST IN THE COVER



- NOTE:
1. PRECAST STRUCTURE SHALL BE DESIGNED FOR
AASHTO H5-20 LOADING

2 PRECAST MANHOLE

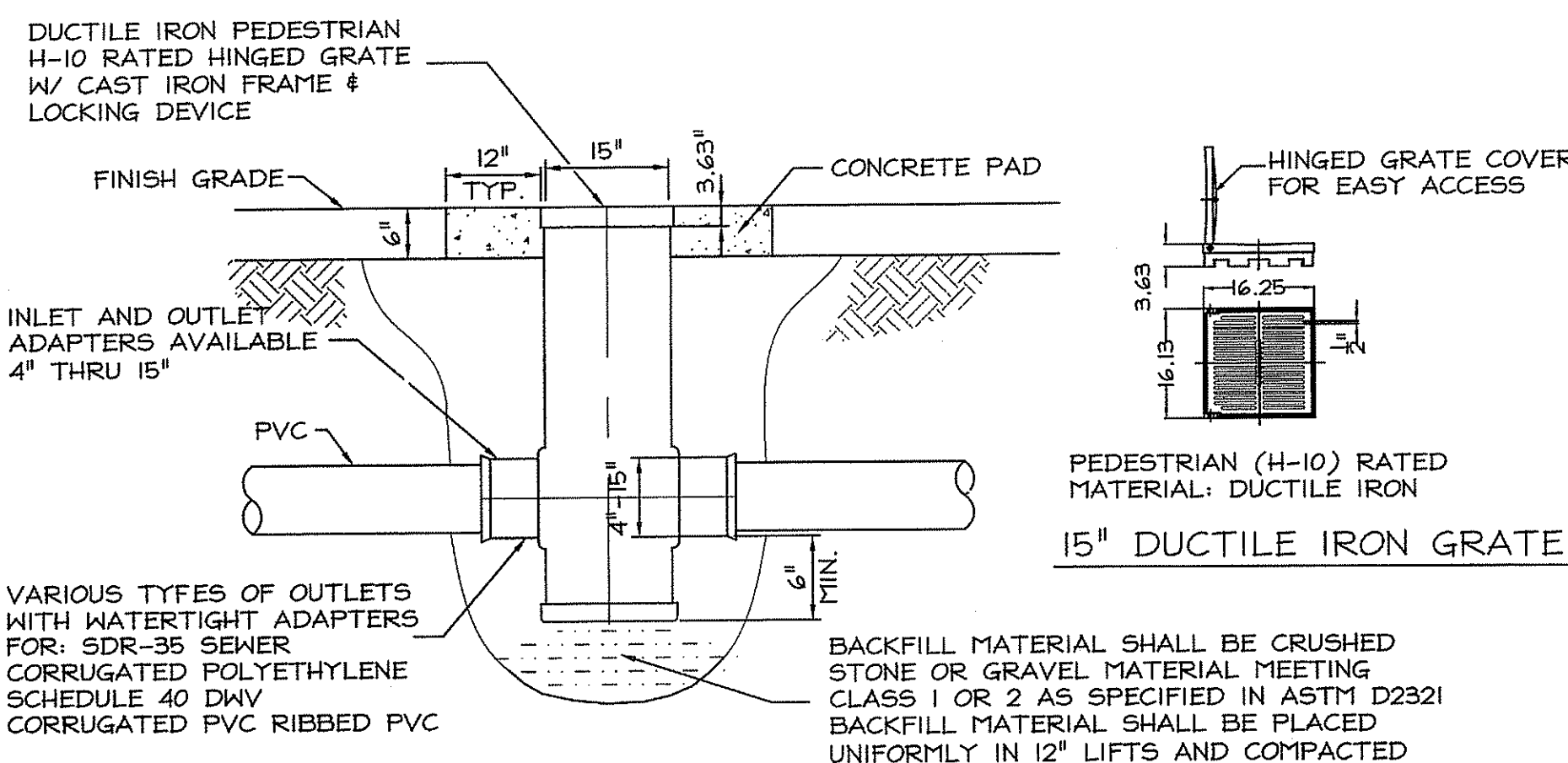
C604 NOT TO SCALE



- NOTES:
1. PRECAST STRUCTURE SHALL BE DESIGNED FOR AASHTO H5-20 LOADS & FLAT TOP DESIGNED FOR H5-25
LOADS.
2. THE OIL/WATER SEPARATORS SHALL BE MAINTAINED ON A CONTINUAL BASIS, AS NEEDED. AT MINIMUM,
ANNUAL CLEANOUT OF ALL OIL/WATER SEPARATORS SHALL BE PERFORMED. MAINTENANCE OF THE DISPOSAL
SYSTEM WILL BE THE RESPONSIBILITY OF THE OWNER OF THE PROPERTY.

3 PRECAST WATER QUALITY INLET

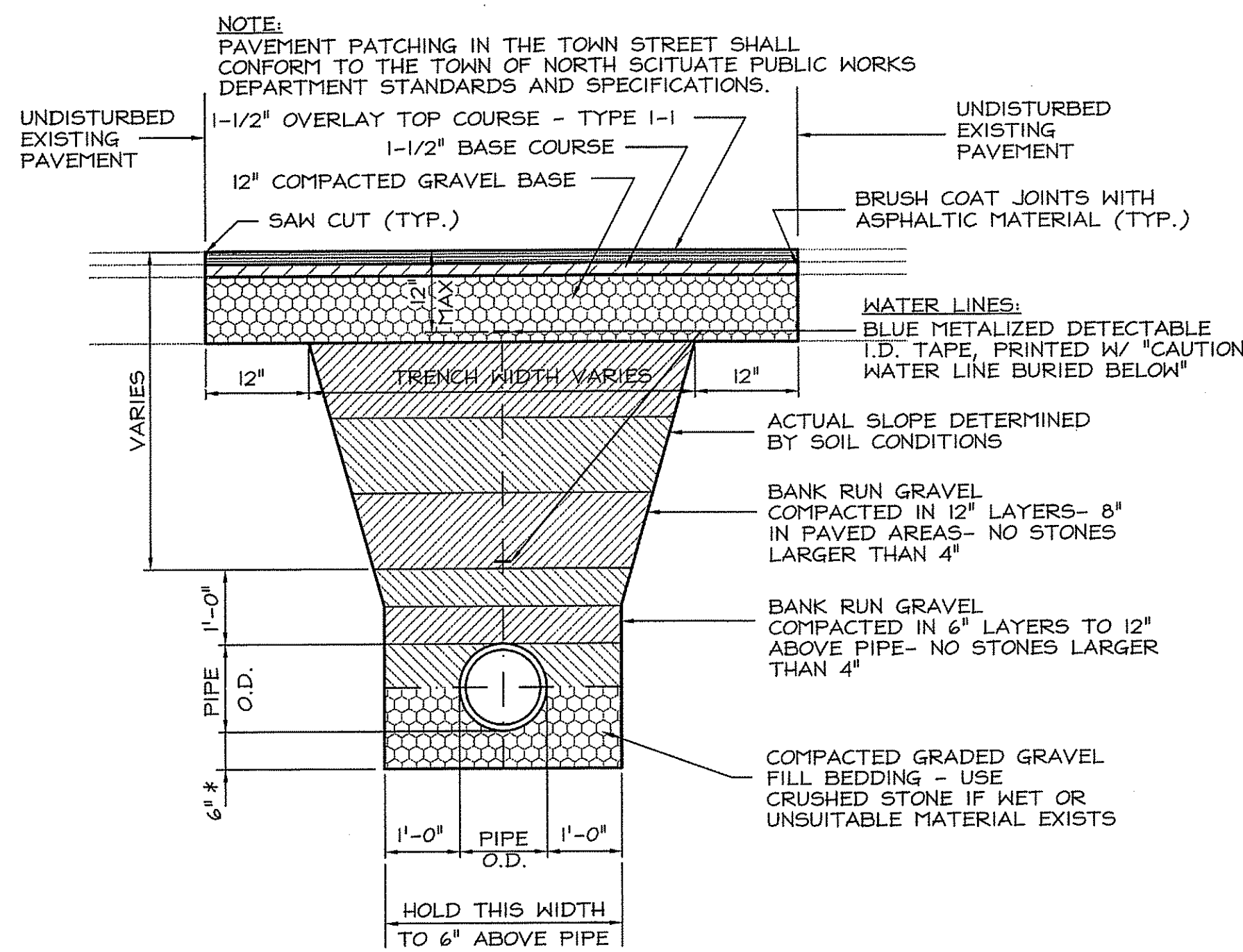
C604 NOT TO SCALE



- NOTE:
1. PROVIDE DRAIN BASIN AS MANUFACTURED BY NYLOPLAST USA INC.
2. DRAIN AREA = 81.25 SQ. INCH.
3. GRATE TO HAVE H-10 DOT RATING.
4. MATERIAL SHALL CONFORM TO ASTM A48 - CLASS 30B.
CASTINGS ARE TO BE FURNISHED WITH A BLACK PAINT.

4 15" INLINE DRAIN BASIN

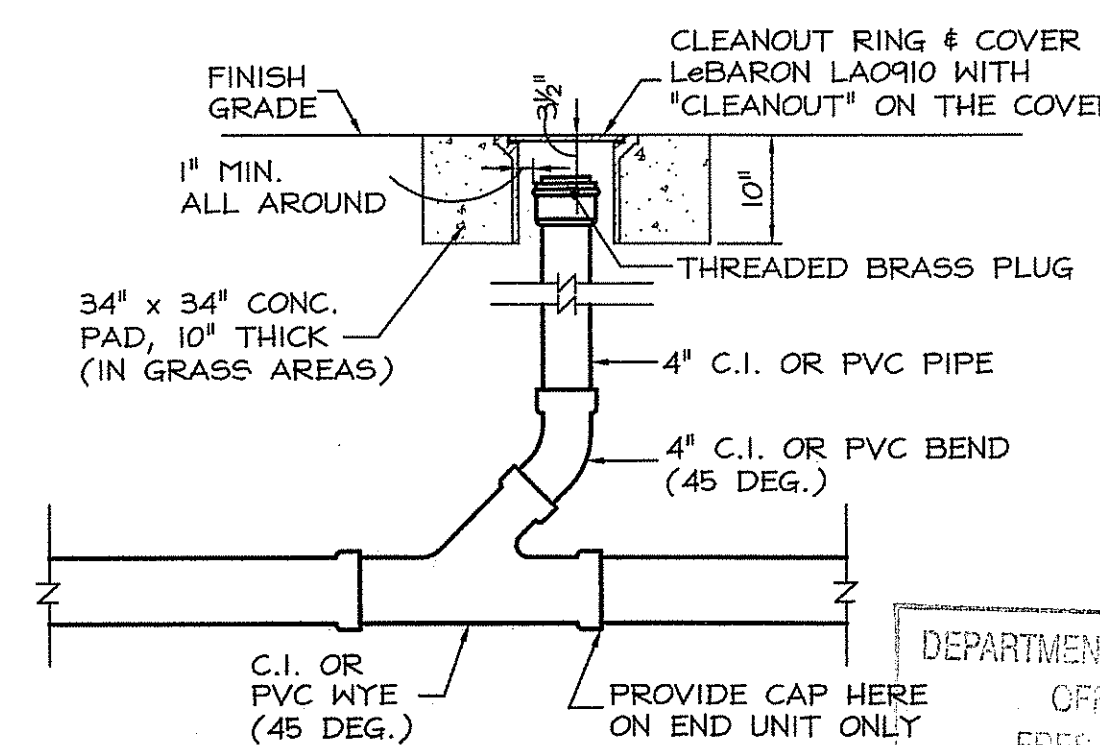
C604 NOT TO SCALE



- NOTES:
1. WATER LINES SHALL HAVE A MINIMUM OF 4'-0" MAXIMUM 5'-0" COVER OVER THE TOP OF THE PIPE.
2. * THIS DIMENSION SHALL BE 12" IN ROCK, WET OR UNSUITABLE MATERIAL.
3. COMPACTION OF LIFTS SHALL ACHIEVE A MINIMUM OF 95% OF THE MAXIMUM SOIL DENSITY AS PER ASTM D1557 METHOD C.
4. SHORING AND BRACING MAY BE REQUIRED TO ACHIEVE NEAR VERTICAL SIDE SLOPES.

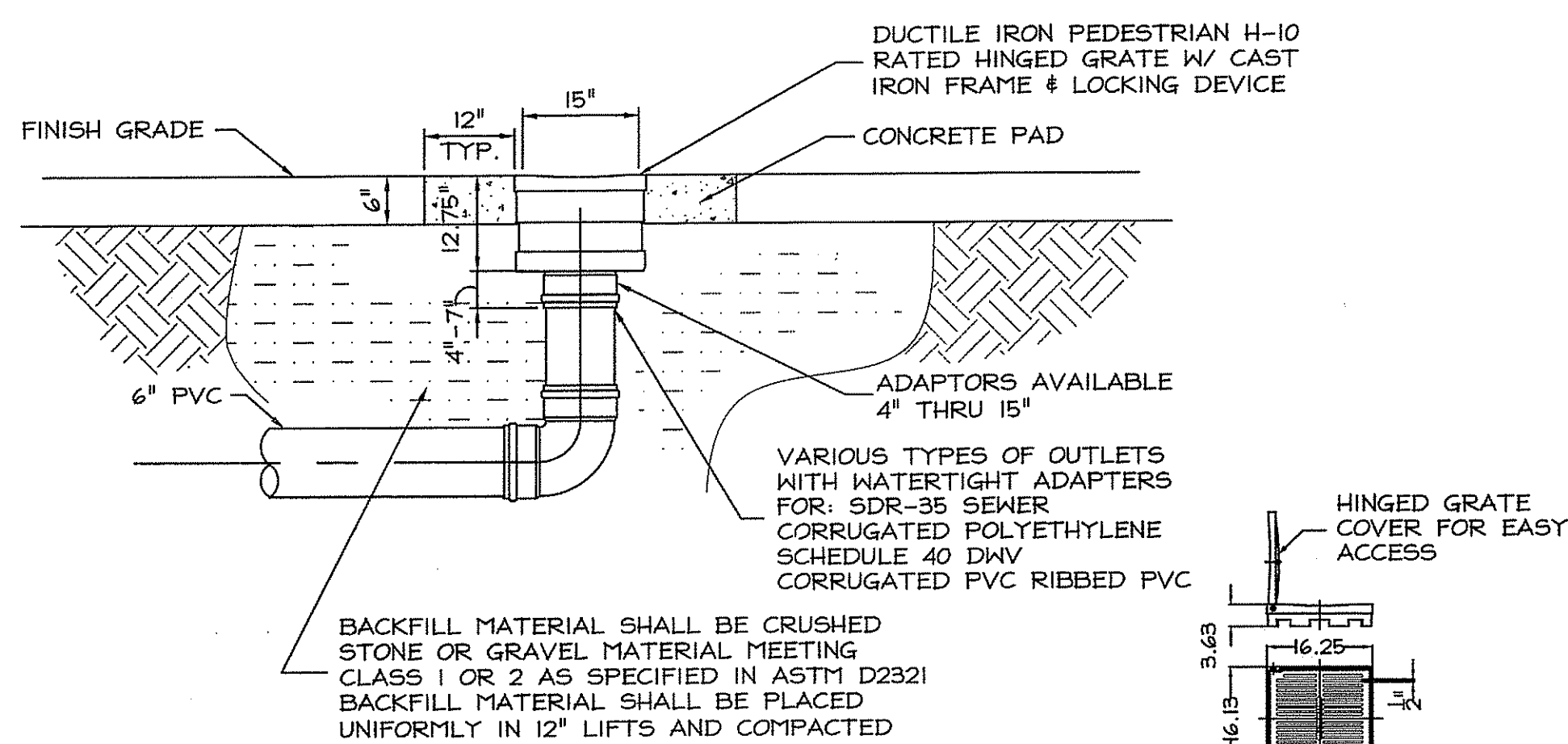
6 PIPE TRENCH BACKFILL AND PAVEMENT PATCHING

C604 NOT TO SCALE



7 CLEANOUT

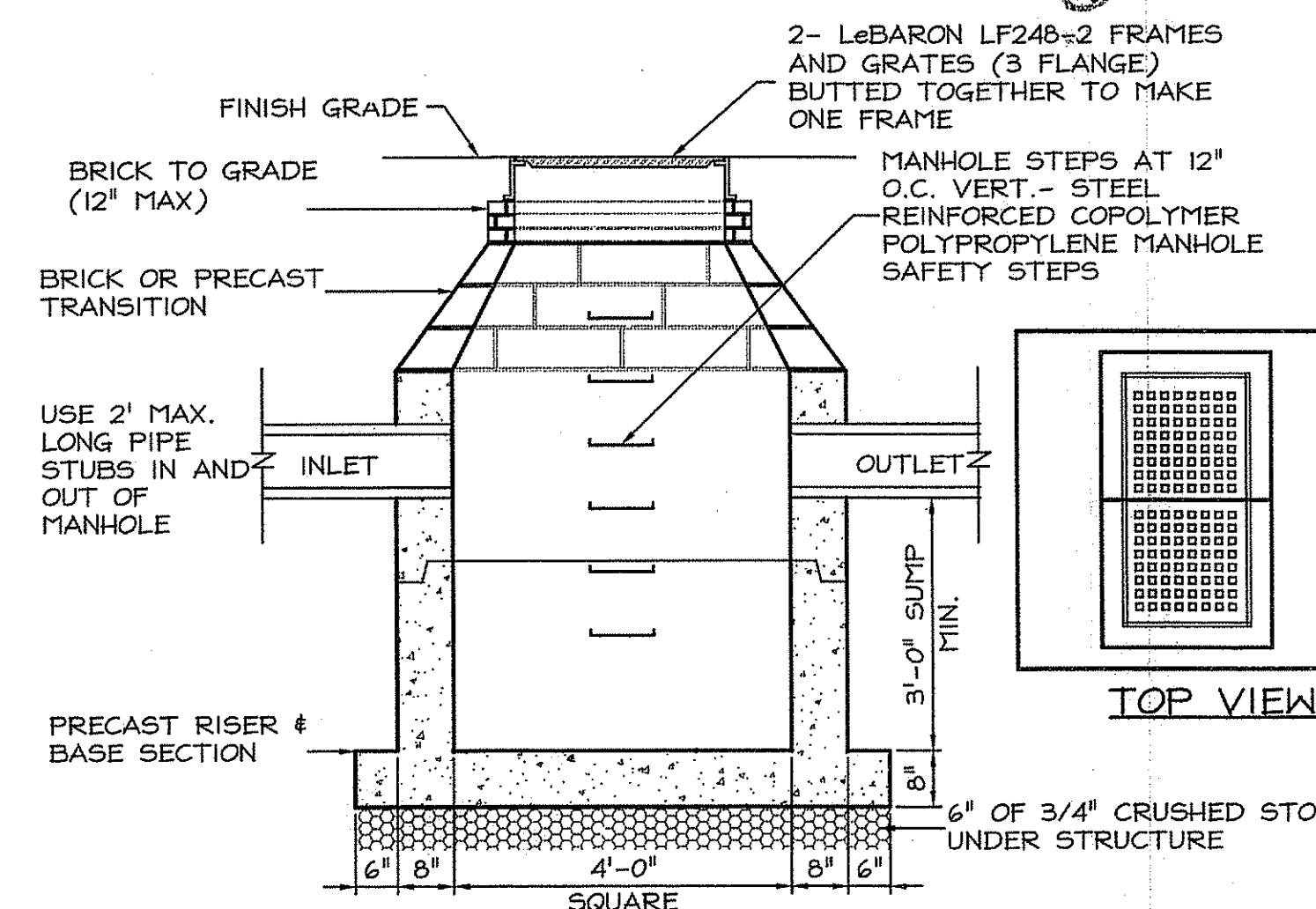
C604 NOT TO SCALE



- NOTE:
1. PROVIDE INLINE DRAIN AS MANUFACTURED BY NYLOPLAST USA INC.
OR ARCHITECT APPROVED EQUAL.
2. DRAIN AREA = 81.25 SQ. INCH.
3. GRATE TO HAVE H-10 DOT RATING.
4. MATERIAL SHALL CONFORM TO ASTM A48 - CLASS 30B.
CASTINGS ARE TO BE FURNISHED WITH A BLACK PAINT.

5 15" INLINE DRAIN

C604 NOT TO SCALE



- NOTES:
1. STRUCTURE SHALL BE DESIGNED FOR AASHTO H-20 LOADS
2. STRUCTURE IS DESIGNATED ON PLANS AS "DQCB"

8 DOUBLE GRATE CATCH BASIN

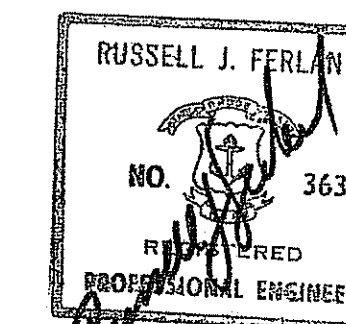
C604 NOT TO SCALE

This drawing is copyrighted and is subject to copyright protection as an
"architectural work" under 17 U. S. C. Sec. 101 et seq. The protection
includes but is not limited to the overall form as well as the arrangement and
composition of spaces, materials, color and elements in the design. User
without the express written permission of RGB, is prohibited. Violators will be
prosecuted to the full extent of the law.

Any reproduction, possession, or use of this drawing or any part thereof
without the express written permission of RGB, is prohibited. Violators will be
prosecuted to the full extent of the law.

© RGB 2008

Certification



9/19/08

Drawn by MAD

Checked by RJF

Revised on

NOTICE of DOCUMENT SECURITY REQUIREMENTS

PROPERTY OF THE RHODE ISLAND STATE GOVERNMENT

COPYING, DISSEMINATION, OR DISTRIBUTION OF THESE DRAWINGS, PLANS OR SPECIFICATIONS TO UNAUTHORIZED PERSONS IS STRICTLY PROHIBITED.

DO NOT REMOVE THIS NOTICE

Return Documents to Authorized Locations For Destruction as Delineated in Project Manual.

These documents shall not be reproduced without the exclusive written permission of the Owner under any circumstances. Authorization can be obtained from the Owner as defined in the project manual.

50 Holden Street Providence, Rhode Island 02908

Phone: (401) 272-1730

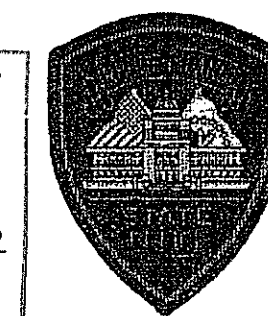
Fax: (401) 273-7158

E-mail: rgbinfo@rgb.net

www.rgb.net

Architecture · Engineering · Interior Design

Project RHODE ISLAND STATE POLICE NEW HEADQUARTERS



DEPARTMENT OF ENVIRONMENTAL MANAGEMENT
OFFICE OF WATER RESOURCES
FRESH WATER WETLANDS PROGRAM
REVIEWED SITE PLAN APPLICATION NO.: 08-0306
DATED NOV - 7 2008
SEE LETTER OF SAME DATE.

&
RHODE ISLAND E9-1-1
NEW PRIMARY
PUBLIC SAFETY
ANSWERING POINT
FACILITY



A.P. 32 LOT 34
NORTH SCITUATE, RHODE ISLAND

Drawing Status

FOR PERMITTING

Issued On 9/19/2008

Sheet Contents

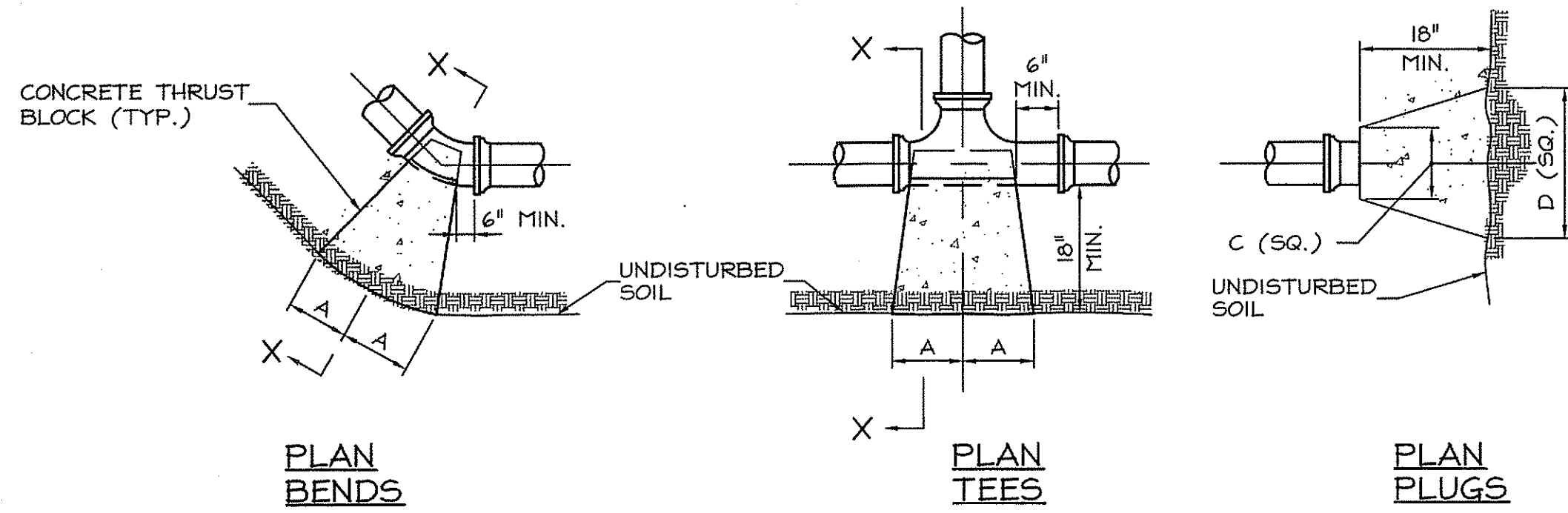
DETAILS

Project Number. 5732

Drawing No.

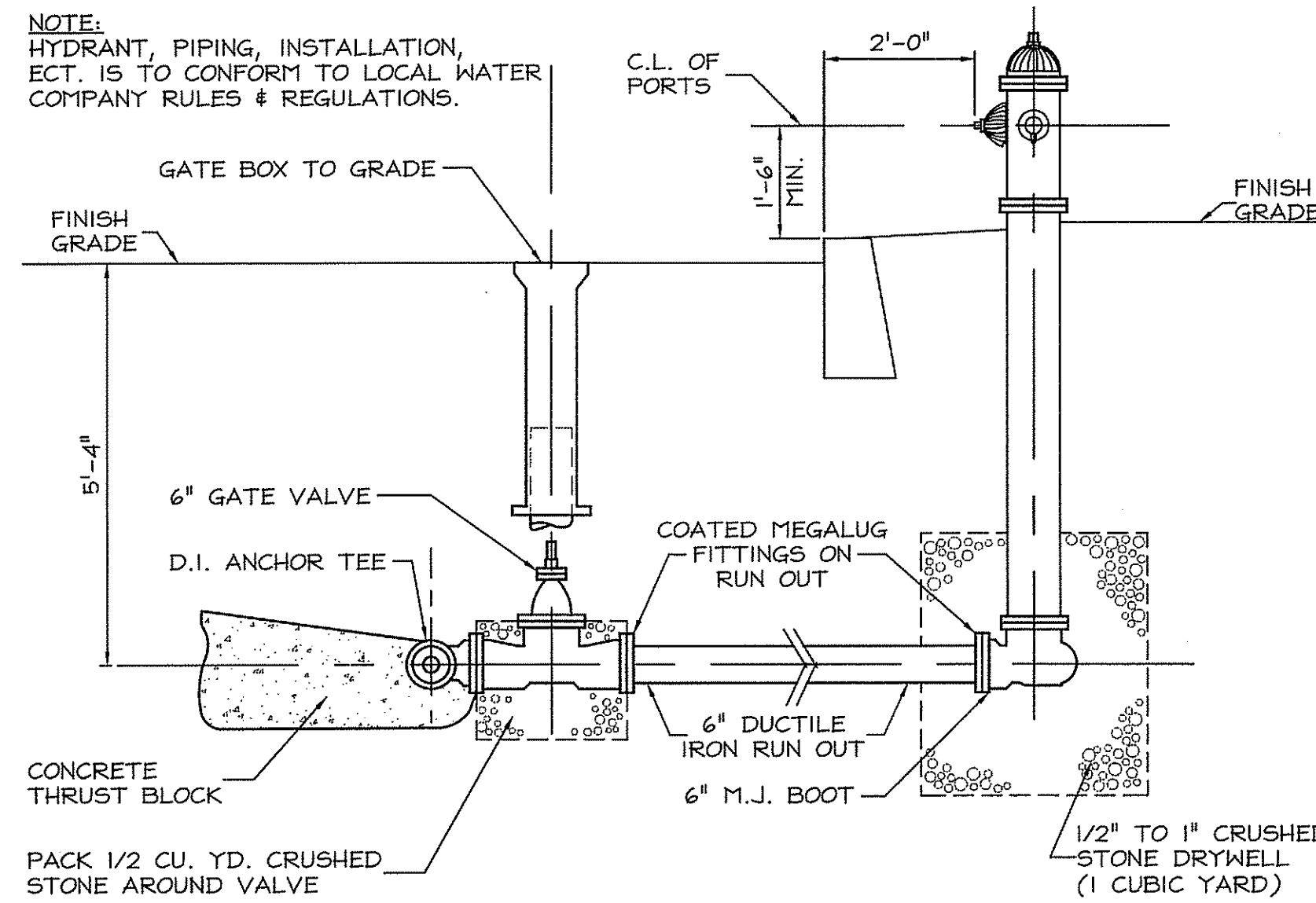
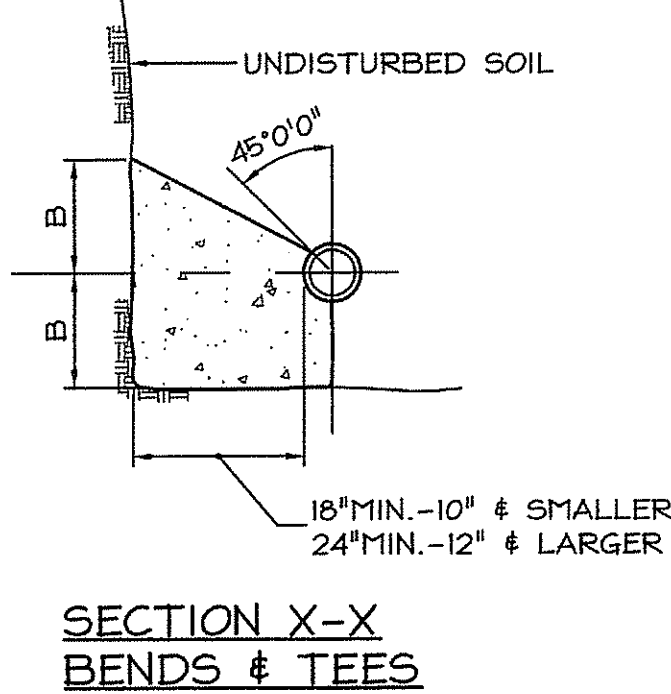
C604

Sheet 17 of 27

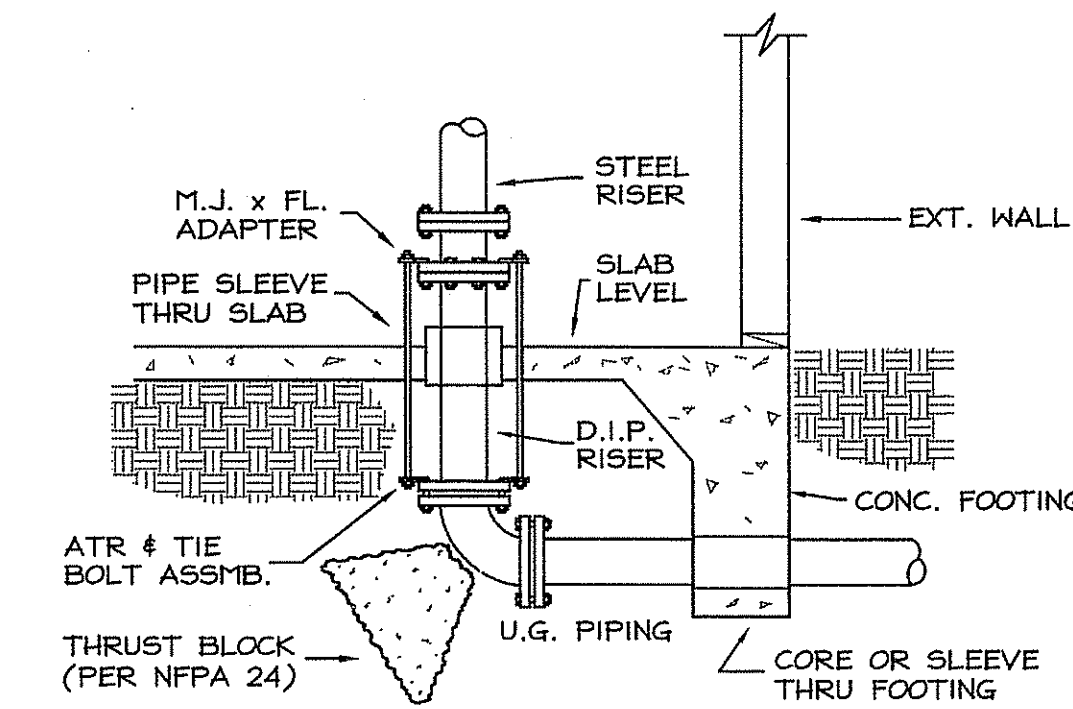


SIZE	1/4" BENDS		1/8" BENDS		1/16" BENDS		TEES		PLUGS	
	A	B	A	B	A	B	A	B	C	D
4"	12"	8"	8"	9"	6"	8"	8"	10"	8"	18"
6"	16"	10"	9"	10"	6"	8"	10"	12"	10"	21"
8"	22"	13"	12"	13"	8"	10"	13"	16"	12"	29"
10"	26"	17"	14"	17"	10"	13"	16"	20"	14"	36"
12"	29"	21"	16"	21"	11"	16"	18"	24"	16"	41"

- NOTES:
- ALL CEMENT TO BE 3000 PSI PORTLAND CEMENT.
 - THRUST BLOCK DIMENSIONS SHOWN ARE MINIMUM AND ARE BASED ON SOIL BEARING CAPACITY OF 3000 PSF AND STATIC WATER PRESSURE OF 100 PSI. WHERE SOIL BEARING CAPACITY IS LESS THAN 3000 PSF OR EXCAVATION LIMITS ENCOUNTERED DURING CONSTRUCTION MAKE IT UNFEASIBLE TO PLACE THRUST BLOCKS AGAINST UNDISTURBED EARTH, THE CONTRACTOR SHALL PLACE SPECIAL REACTION BLOCKS OF SUFFICIENT WEIGHT TO RESIST THE FULL THRUST OF THE LINE UNDER TEST AND OPERATING PRESSURES.

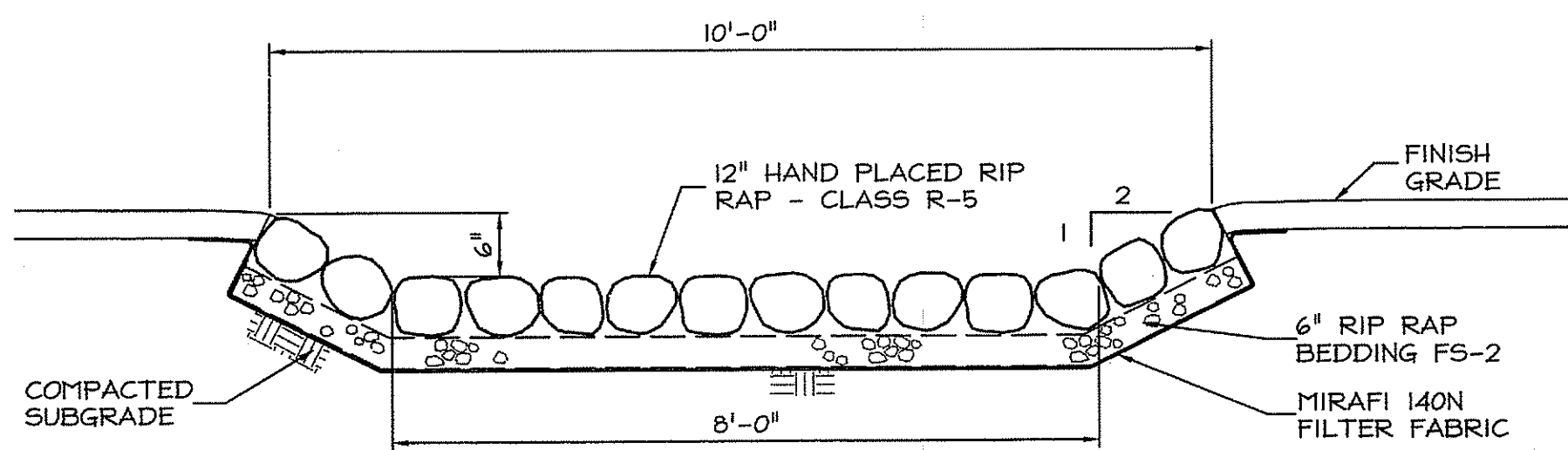


2 TYPICAL HYDRANT INSTALLATION
NOT TO SCALE

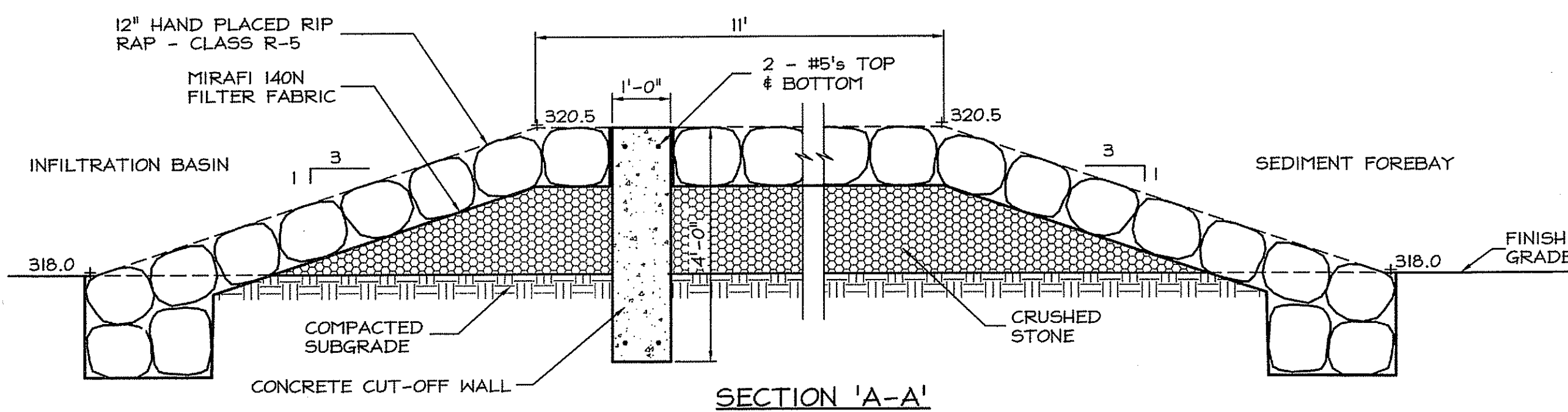


3 UNDERGROUND STUB UP W/ ROD
NOT TO SCALE

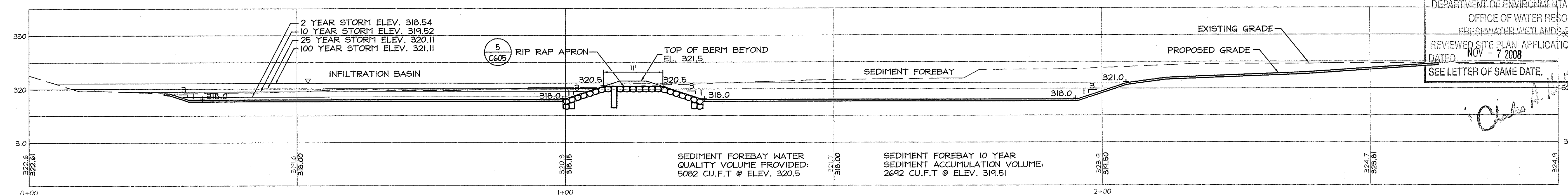
1 TYPICAL THRUST BLOCK
NOT TO SCALE



4 RIP RAP CHANNEL
NOT TO SCALE



5 RIP RAP APRON FOR INFILTRATION BASIN FOREBAY
NOT TO SCALE



6 INFILTRATION BASIN SECTION
SCALE: 1" = 10'

MAINTENANCE PLAN:

POST CONSTRUCTION REVIEW AND MAINTENANCE: (BY CONTRACTOR)

- INFILTRATION BASIN SHALL NOT BE USED AS A TEMPORARY SEDIMENT FACILITY DURING CONSTRUCTION. THE INFILTRATION BASIN SHALL BE CONSTRUCTED AT OR NEAR THE END OF THE DEVELOPMENT CONSTRUCTION.
- BEFORE THE DEVELOPMENT SITE IS GRADED, THE AREA FOR THE INFILTRATION SYSTEM SHALL BE ROPED OFF TO PREVENT HEAVY EQUIPMENT FROM COMPACTING THE UNDERLYING SOILS.
- DIVERSION BERMIS SHALL BE PLACED AROUND THE PERIMETER DURING ALL PHASES OF CONSTRUCTION. SEDIMENT AND EROSION CONTROLS SHALL BE USED TO KEEP RUNOFF AND SEDIMENT AWAY FROM THE INFILTRATION SYSTEM AREA.
- DURING AND AFTER EXCAVATION, ALL EXCAVATED MATERIALS SHALL BE PLACED DOWNSTREAM, AWAY FROM THE INFILTRATION SYSTEM, TO PREVENT REDEPOSITION OF THESE MATERIALS DURING RUNOFF EVENTS. ALL EXCAVATED MATERIALS SHALL BE PROPERLY HANDLED AND DISPOSED, DURING AND AFTER CONSTRUCTION.
- LIGHT EARTH-MOVING EQUIPMENT SHALL BE USED FOR EXCAVATION. USE OF HEAVY EQUIPMENT CAUSES COMPACTION OF THE SOILS BENEATH THE INFILTRATION SYSTEM FLOOR, RESULTING IN REDUCED INFILTRATION CAPACITY. COMPACTION OF THE INFILTRATION AREA AND SURROUNDING SOILS SHOULD BE AVOIDED.
- THE SIDES AND BOTTOM OF THE INFILTRATION BASIN SHALL BE RAKED OR DEEP TILED AFTER FINAL GRADING TO RESTORE INFILTRATION RATES.
- THE CONTRACTOR SHALL CLEAN ALL STORM DRAIN PIPES, CATCH BASINS, MANHOLES, AND WATER QUALITY INLETS AT THE COMPLETION OF CONSTRUCTION WITHIN CONTRACT LIMITS. A PUNCH LIST SHALL BE PREPARED INDICATING DEFICIENCIES AND THE CONTRACTOR SHALL MAKE REPAIRS AS REQUIRED.
- ALL DEBRIS REMOVED SHALL BE DISPOSED PROPERLY IN ACCORDANCE WITH STATE AND FEDERAL REGULATIONS.

ROUTINE MAINTENANCE: (BY OWNER AFTER FINAL COMPLETION)

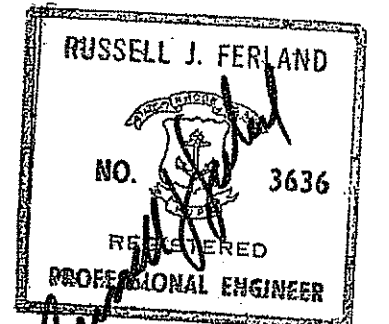
- THE ON-SITE CATCH BASINS AND WATER QUALITY INLETS SHALL BE INSPECTED FOR DEBRIS REMOVAL AND STRUCTURAL INTEGRITY OR DAMAGE ON A SEMI-ANNUAL BASIS. STRUCTURES SHALL BE CLEANED OUT AND/OR ANY DEFICIENCIES CORRECTED. SEDIMENTS FROM THE CATCH BASINS SHOULD BE REMOVED WHEN 10 PERCENT OF THE AVAILABLE CAPACITY IS DEPLETED. FOR ADDITIONAL MAINTENANCE ITEMS FOR THE WATER QUALITY INLETS REFER TO THE WATER QUALITY DETAIL.
- THE INFILTRATION BASIN SHALL BE INSPECTED THE FIRST FEW MONTHS AFTER EVERY MAJOR STORMS (2-YEAR) FOCUSING ON THE DURATION OF STANDING WATER. PONDING WATER AFTER 48 HOURS INDICATES THAT THE BOTTOM OF THE BASIN MAY BE CLOGGED. THE BOTTOM OF THE BASIN MAY NEED TO BE TILLED TO ENHANCE INFILTRATION AND REVEGETATED. AFTER THE FIRST FEW MONTHS, INSPECT AT REGULAR BI-ANNUAL SCHEDULED DATES. OBSERVATIONS SHOULD INCLUDE DIFFERENTIAL ACCUMULATION OF SEDIMENT, EROSION OF THE BASIN FLOOR, HEALTH OF THE VEGETATION AND CONDITION OF RIPRAP.
- PRUNE AND TRIM ADJACENT TREES TO PREVENT LEAVES FROM CLOGGING THE SURFACE. GRASS CLIPPINGS, LEAVES, AND ACCUMULATED SEDIMENT SHOULD BE REMOVED ROUTINELY FROM THE SURFACE OF THE INFILTRATION BASIN.
- SEDIMENT SHOULD BE REMOVED FROM THE INFILTRATION BASIN WHEN SEDIMENT IS DRY (VISIBLE CRACKS) AND READILY SEPARATES FROM THE FLOOR OF THE FACILITY TO MINIMIZE SMEARING THE FACILITY FLOOR. THE REMAINING SOIL SHOULD BE TILLED AND REVEGETATED.
- ALL GRASSED AREAS SHALL BE INSPECTED AT LEAST TWICE PER YEAR FOR EROSION PROBLEMS. PROBLEM AREAS SHALL BE RESEEDING IMMEDIATELY TO STABILIZE EXPOSED SLOPES. THE GRASS IN THE BASIN AND SIDE SLOPES SHOULD BE MOWN, AND GRASS CLIPPINGS AND ACCUMULATED TRASH REMOVED AT LEAST TWICE DURING THE GROWING SEASON.
- SEDIMENT REMOVAL IN THE FOREBAY SHOULD OCCUR AT A MINIMUM OF EVERY FIVE YEARS OR AFTER THE SEDIMENT STORAGE CAPACITY IN THE FOREBAY HAS BEEN REACHED (ELEVATION 319.51). A PERMANENT SEDIMENT MARKER SHALL BE INSTALLED IN THE FOREBAY TO INDICATE SEDIMENT DEPTHS AND WHEN CLEANING IS REQUIRED.
- ALL SEDIMENT AND DEBRIS REMOVED SHALL BE DISPOSED OF PROPERLY IN ACCORDANCE WITH STATE AND FEDERAL REGULATIONS. IN CASE OF AN OIL OR BULK POLLUTANT RELEASE, THE SYSTEM SHALL BE CLEANED IMMEDIATELY FOLLOWING THE SPILL. FOR THE PURPOSE OF OIL REMOVAL, A LICENSED CONTRACTOR WILL BE REQUIRED FOR THE REMOVAL, TRANSPORT, AND DISPOSAL OF WASTE OIL PRODUCTS TO A PROPERLY LICENSED FACILITY.

This drawing is copyrighted and is subject to copyright protection as an "architectural work" under 17 U.S.C. Sec. 101 et seq. The protection includes but is not limited to the overall form as well as the arrangement and composition of spaces, materials, color and elements in the design. Under such protection, unauthorized use of this drawing may result in the cessation of construction or buildings being related and/or monetary compensation being awarded to The Robinson Green Beretta Corporation (RGB).

Any reproduction, possession, or use of this drawing or any part thereof without the express written permission of RGB, is prohibited. Violators will be prosecuted to the full extent of the law.

© RGB 2008

Certification



9/19/08

Drawn by MAD, JND

Checked by RJF

Revised on

NOTICE OF DOCUMENT SECURITY REQUIREMENTS

PROPERTY OF THE RHODE ISLAND STATE GOVERNMENT

COPYING, DISSEMINATION, OR DISTRIBUTION OF THESE DRAWINGS, PLANS OR SPECIFICATIONS TO UNAUTHORIZED PERSONS IS STRICTLY PROHIBITED.

DO NOT REMOVE THIS NOTICE!

Return Documents to Authorized Locations For Destruction as Defined in Project Manual.

These documents shall not be reproduced without the exclusive written permission of the Owner under any circumstances. Authorization can be obtained from the Owner as defined in the project manual.

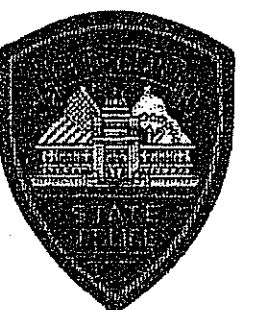
50 Hidden Street
Providence, Rhode Island 02908

Phone: (401) 273-1730
Fax: (401) 273-7158

E-mail: rgbinfo@rgb.net
www.rgb.net

Architecture · Engineering · Interior Design

Project: RHODE ISLAND STATE POLICE NEW HEADQUARTERS



& RHODE ISLAND E9-1-1 NEW PRIMARY PUBLIC SAFETY ANSWERING POINT FACILITY



A.P. 32 LOT 34 NORTH SCITUATE, RHODE ISLAND

Drawing Status

DEPARTMENT OF ENVIRONMENTAL MANAGEMENT
OFFICE OF WATER RESOURCES
FRESHWATER WETLANDS PROGRAM
REVIEWED SITE PLAN APPLICATION NO. DR-236
DATED NOV - 7 2008
SEE LETTER OF SAME DATE.

FOR PERMITTING

Issued On 9/19/2008

Sheet Contents

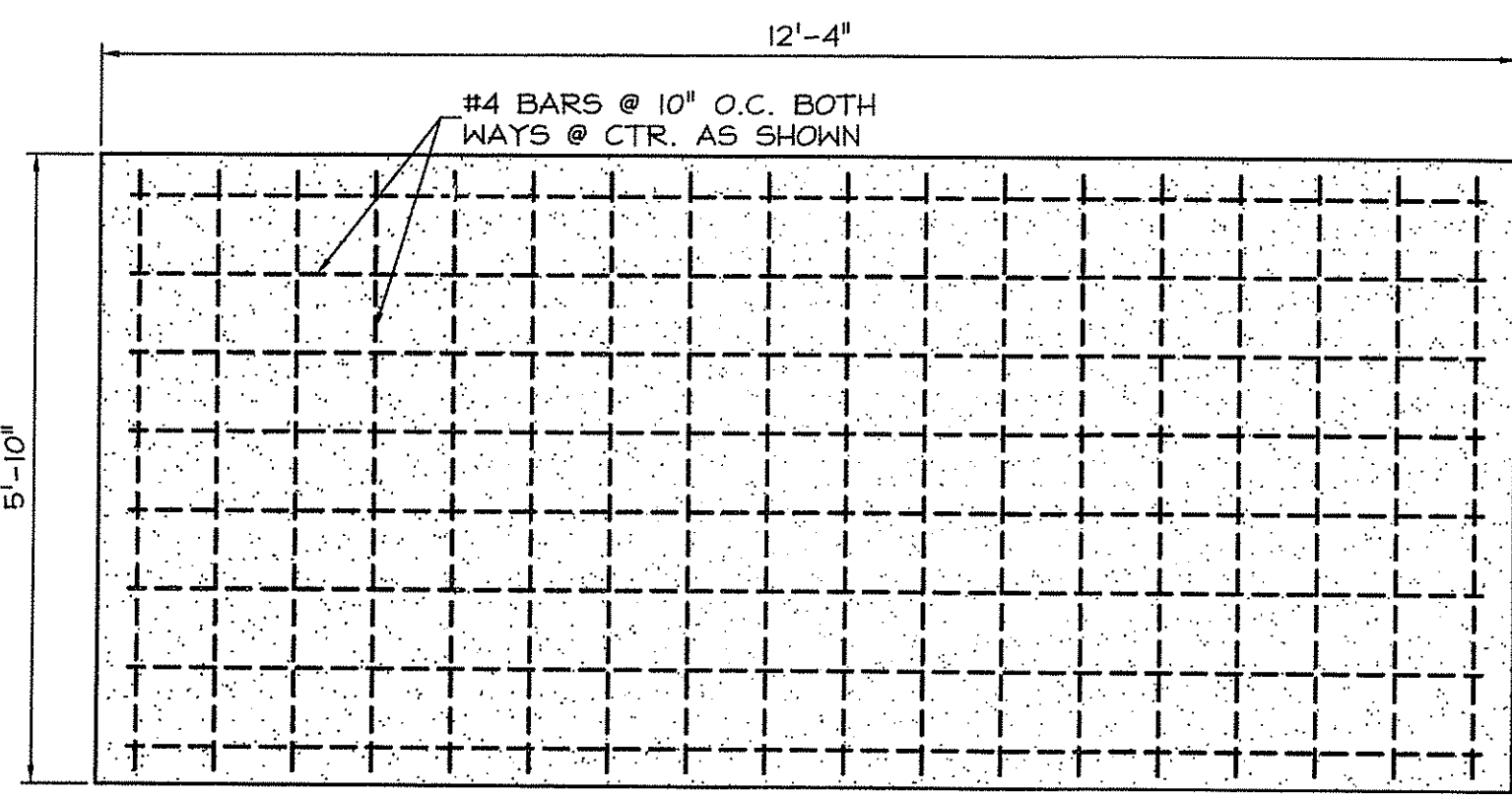
DETAILS

Project Number: 5732

Drawing No.

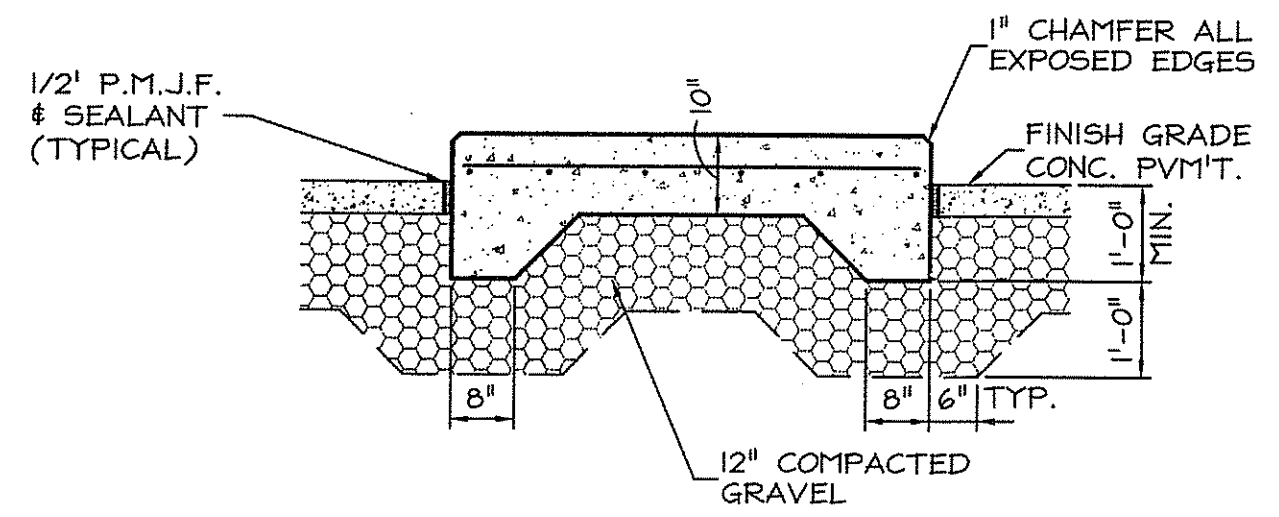
C605

Sheet 18 of 27



PLAN

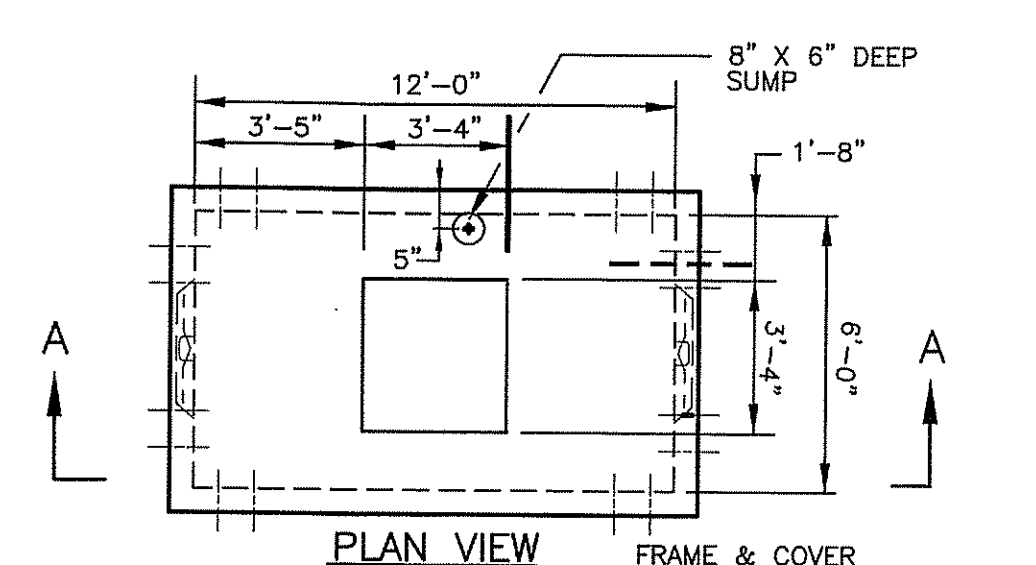
NOTE:
PROVIDE ANCHOR BOLTS AS REQUIRED BY THE GENERATOR MANUFACTURER. STUB UP CONDUITS & PIPING TO SUIT GENERATOR.



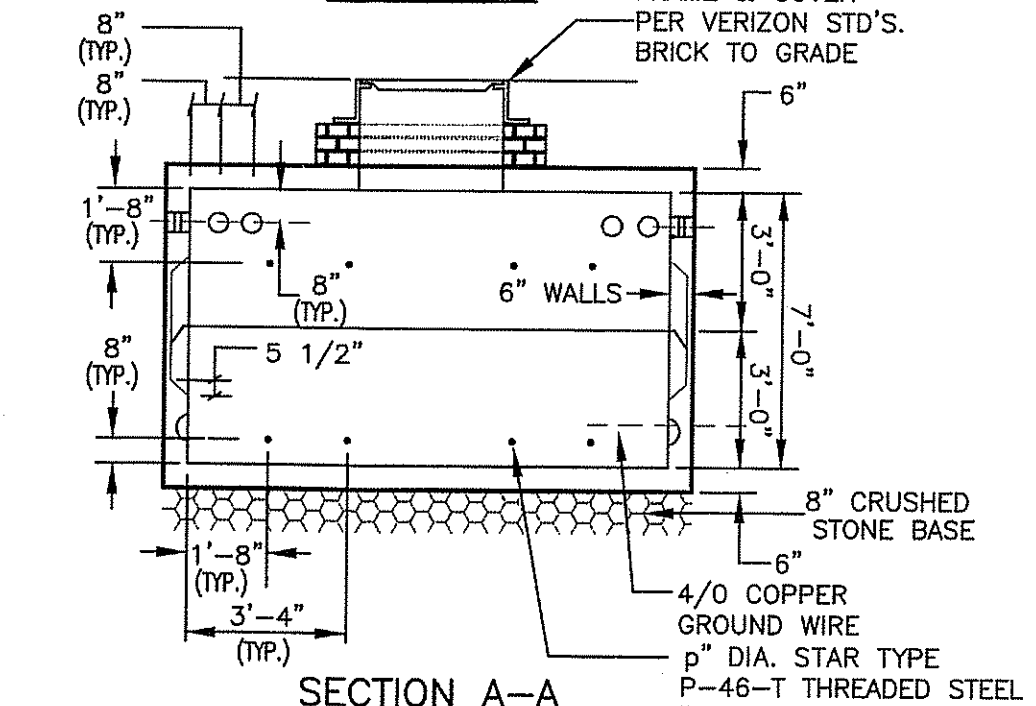
SECTION

CONCRETE GENERATOR PAD

1
C606 NOT TO SCALE



PLAN VIEW

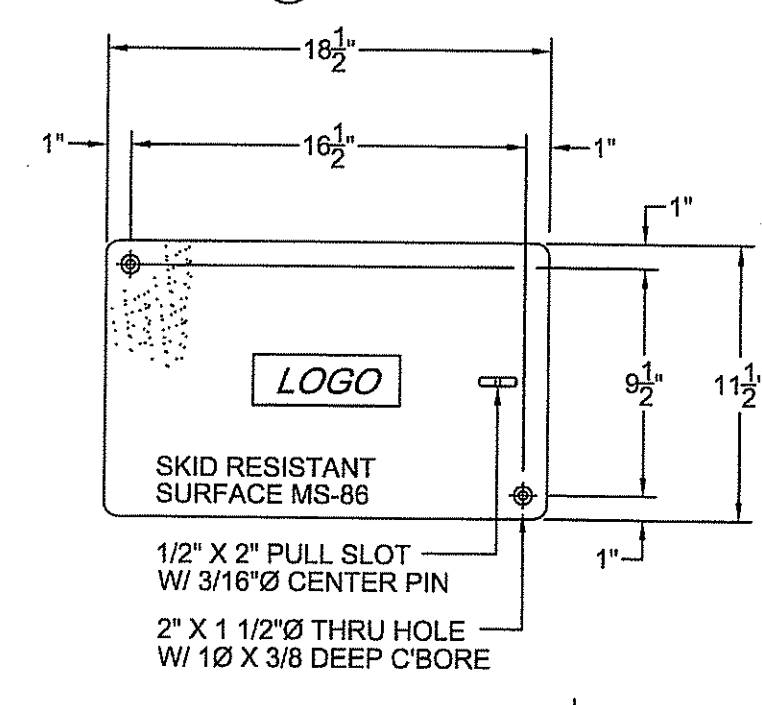
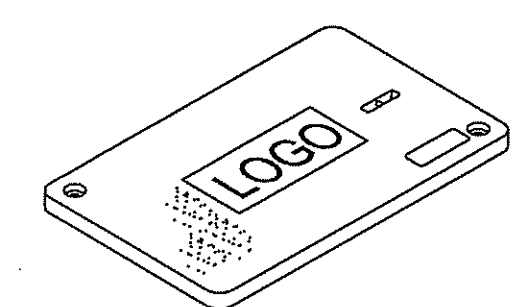


SECTION A-A

NOTES:
1. CONCRETE: 28 DAYS COMPRESSION STRENGTH 5,000 PSI.
2. STEEL REINFORCEMENT: ASTM A-615 GRADE 60.
3. COVER TO STREET 1' MIN.
4. VAULTS ARE DESIGNED TO MEET ASTM C857, ASTM 08 C858 & ACI 318 WITH AASHTO HS-20 LOADING.
5. CONSTRUCTION JOINT SEALS WITH 1" DIA. BUTYL RUBBER OR EQUAL.

LOW VOLTAGE ELECTRIC MANHOLE

2
C606 NOT TO SCALE

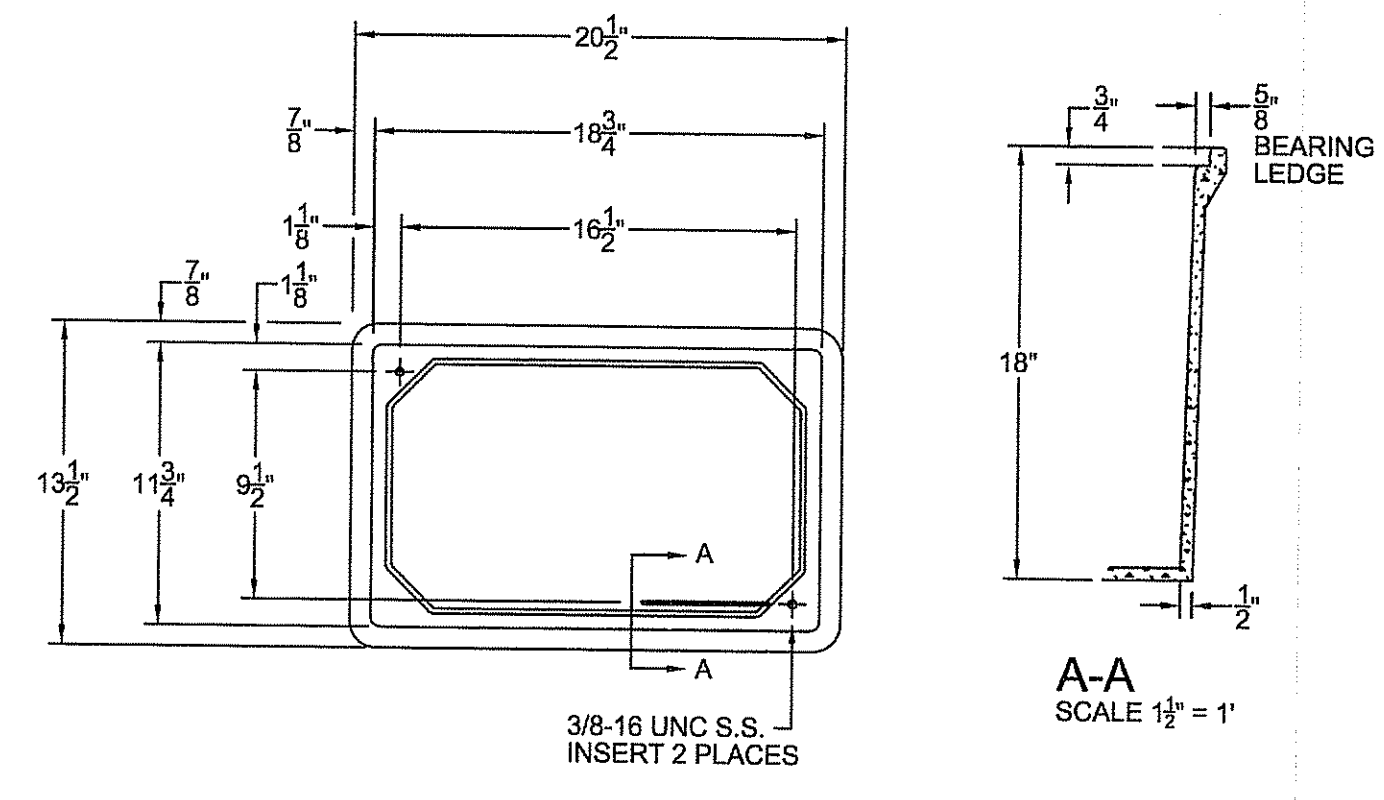


NOTES:

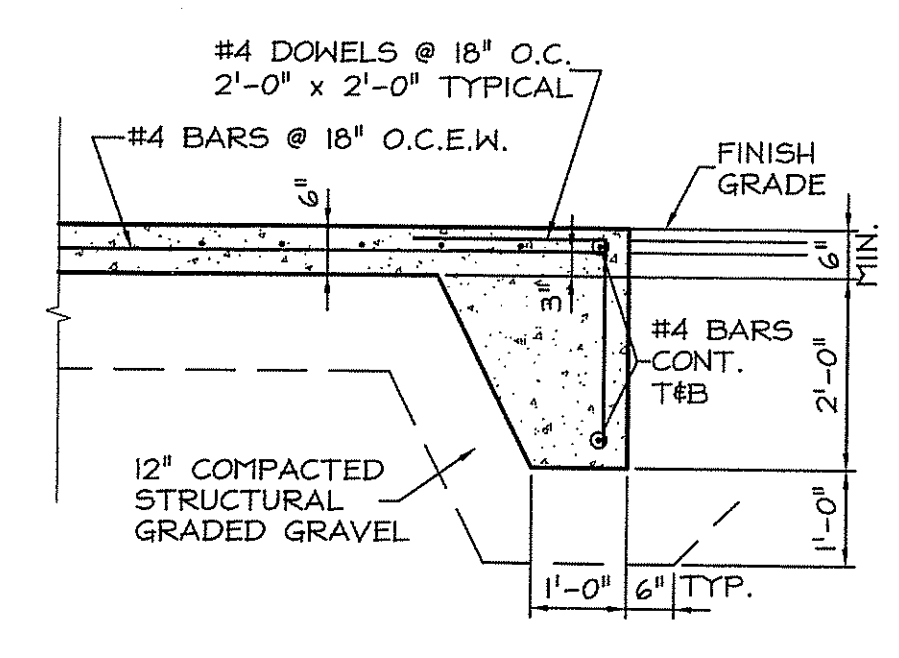
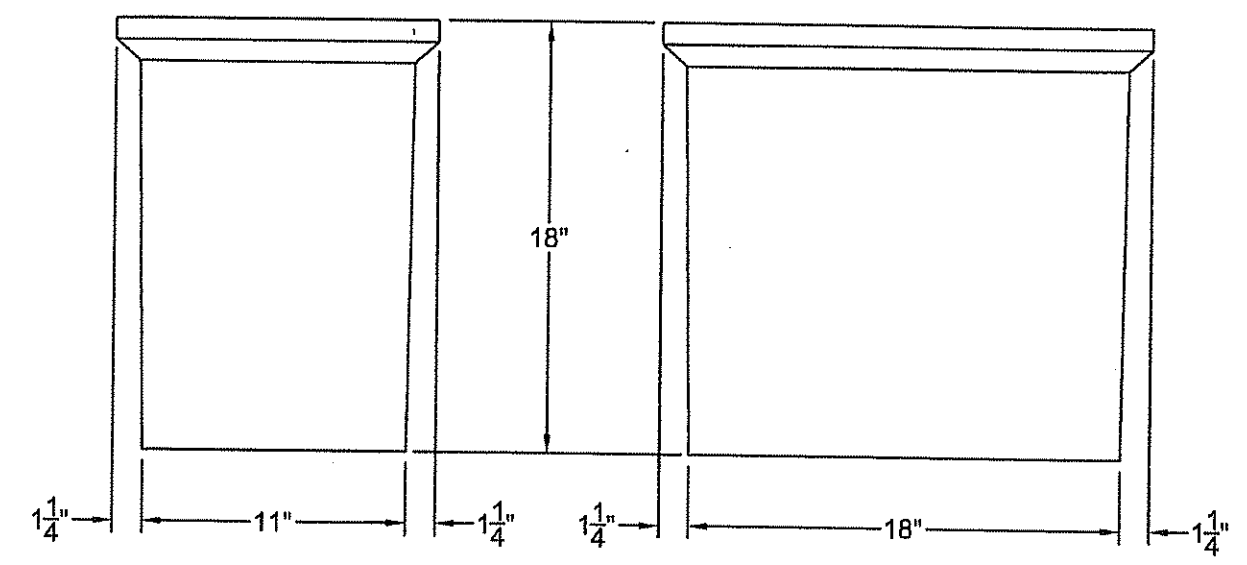
1. LOGO TO BE SPECIFIED: EXAMPLE-LHH#1.
2. FURNISHED WITH (2) 3/8-16 UNC X 1 1/2 LG. S.S. HEX. HD. BOLTS, AND 3/8 S.S. FLAT WASHERS.
3. THIS COVER SHALL BE RATED FOR A STATIC LOAD OF 15,000 LBS. OVER A 10 X 10 AREA AND MUST PASS A MIN. STATIC TEST LOAD OF 22,500 LBS.

LOW VOLTAGE COMPOSITE ELECTRIC HANDHOLE

3
C606 NOT TO SCALE



A-A SCALE 1 1/2" = 1'

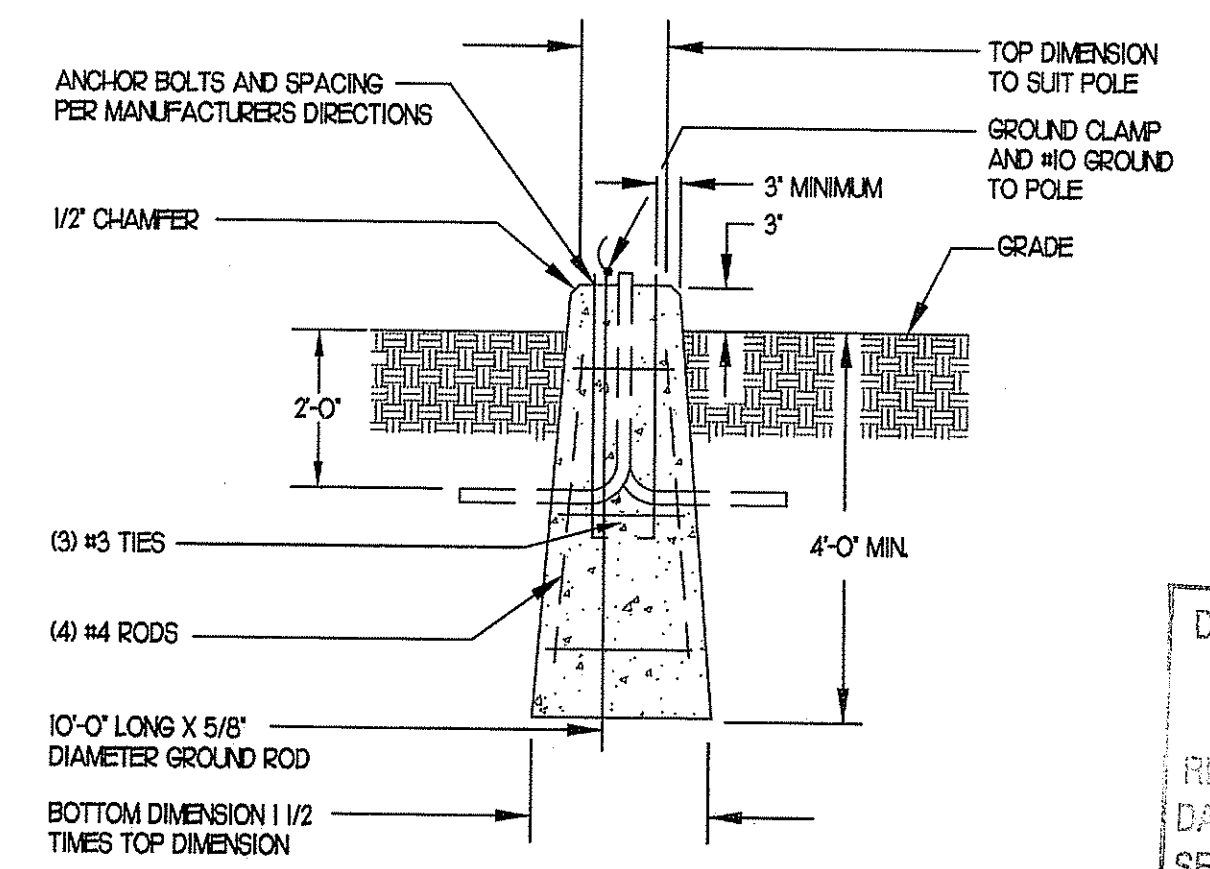


SECTION

NOTE:
PROVIDE ANCHOR BOLTS AS REQUIRED BY THE COMPACTOR MANUFACTURER.

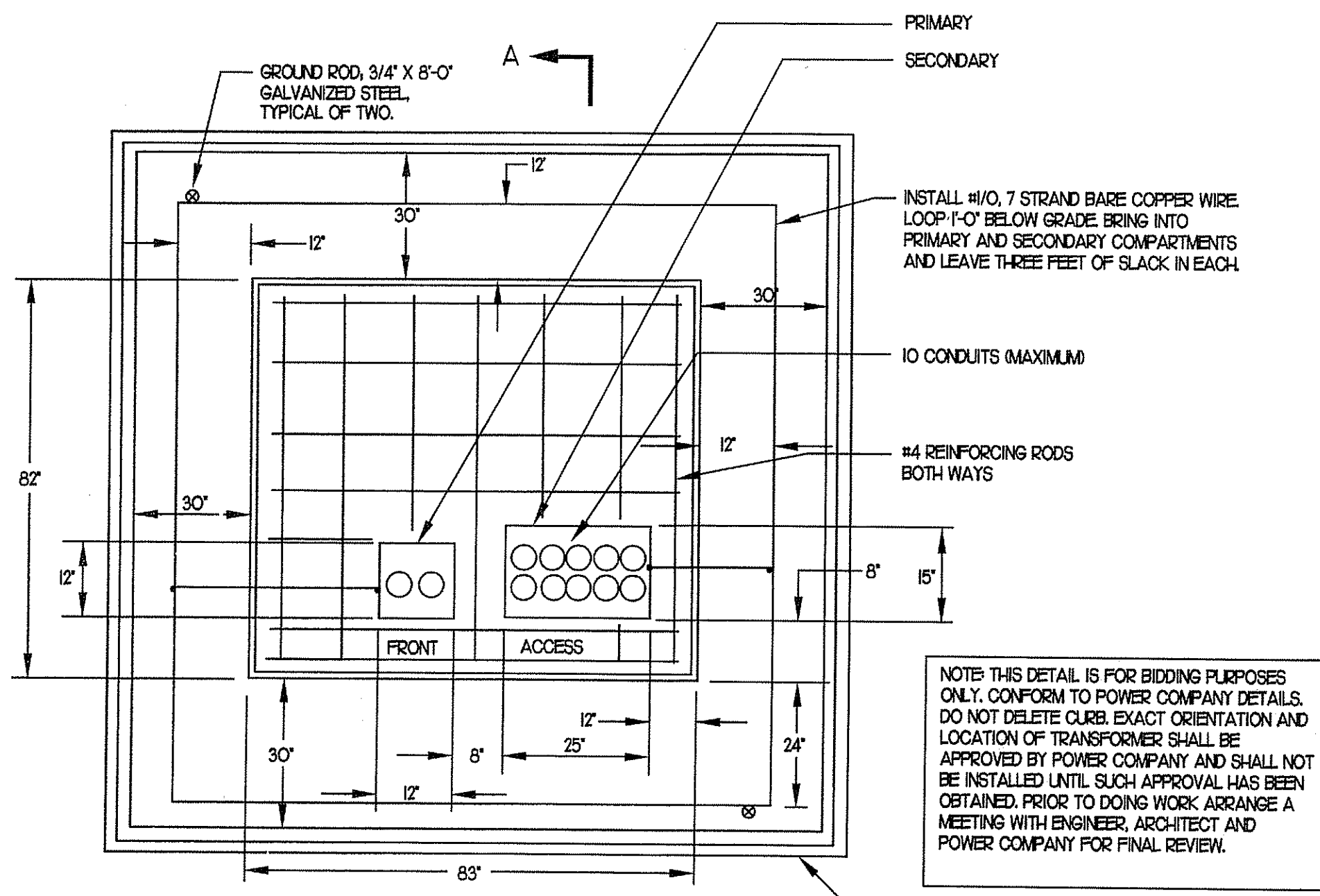
CONCRETE COMPACTOR PAD

5
C606 NOT TO SCALE



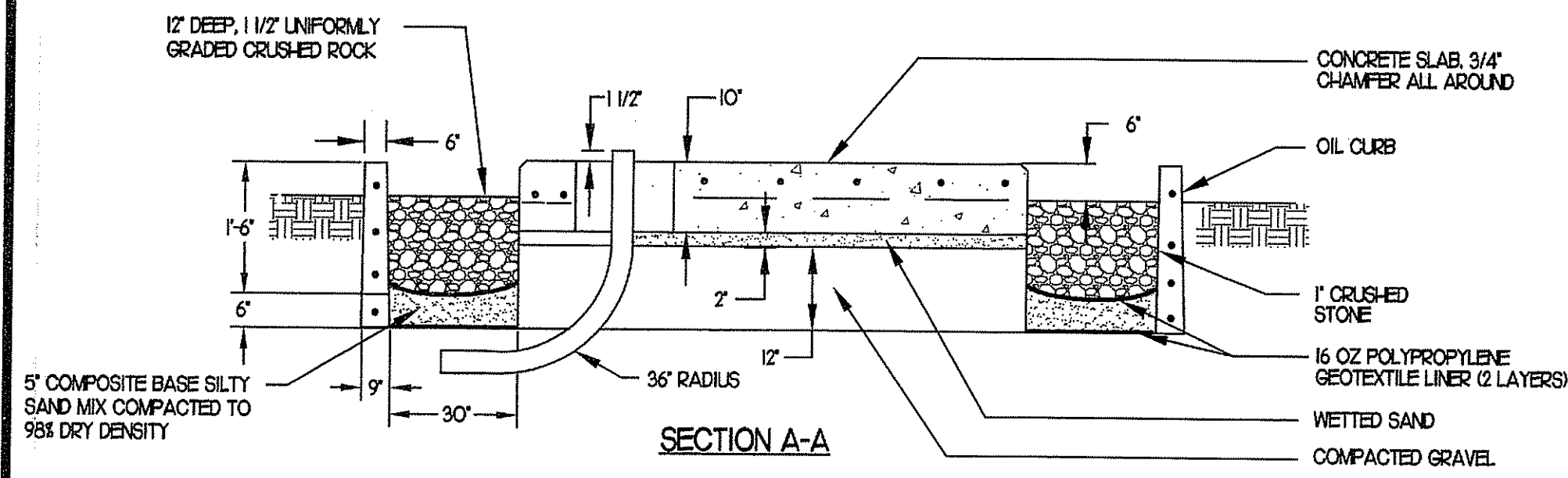
POLE BASE

6
C606 NOT TO SCALE



PLAN

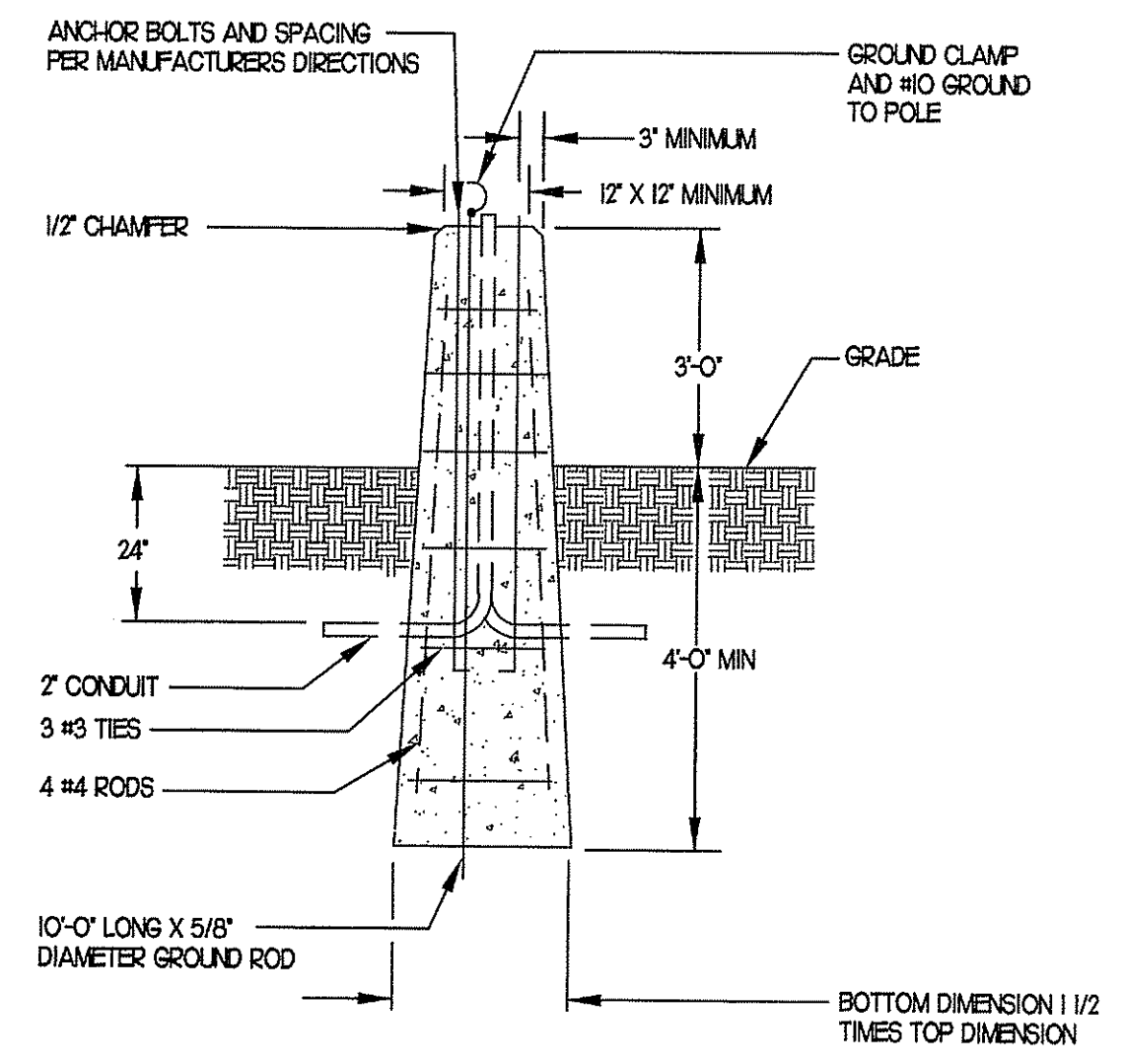
NOTE: THIS DETAIL IS FOR BIDDING PURPOSES ONLY. CONFORM TO POWER COMPANY DETAILS. DO NOT DELETE CURB, EXACT ORIENTATION AND LOCATION OF TRANSFORMER SHALL BE APPROVED BY POWER COMPANY AND SHALL NOT BE INSTALLED UNTIL SUCH APPROVAL HAS BEEN OBTAINED. PRIOR TO DOING WORK ARRANGE A MEETING WITH ENGINEER, ARCHITECT AND POWER COMPANY FOR FINAL REVIEW.



SECTION A-A

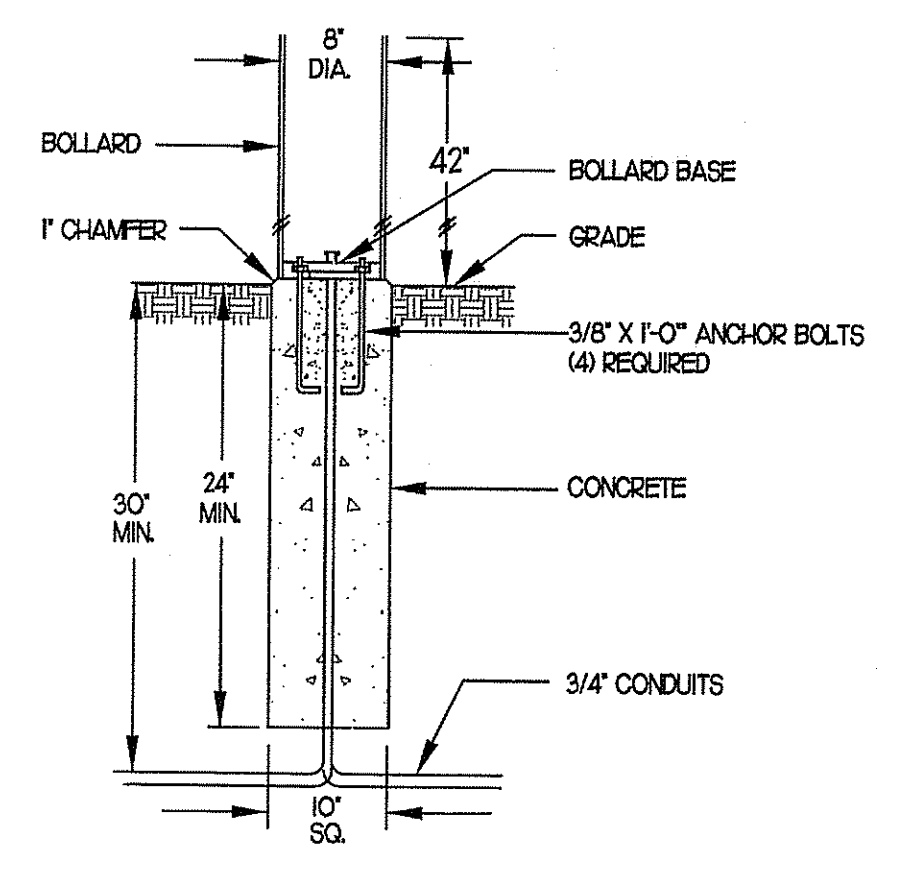
TRANSFORMER PAD W/ OIL CURB

4
C606 NOT TO SCALE (CONFORM TO POWER COMPANY STANDARDS)



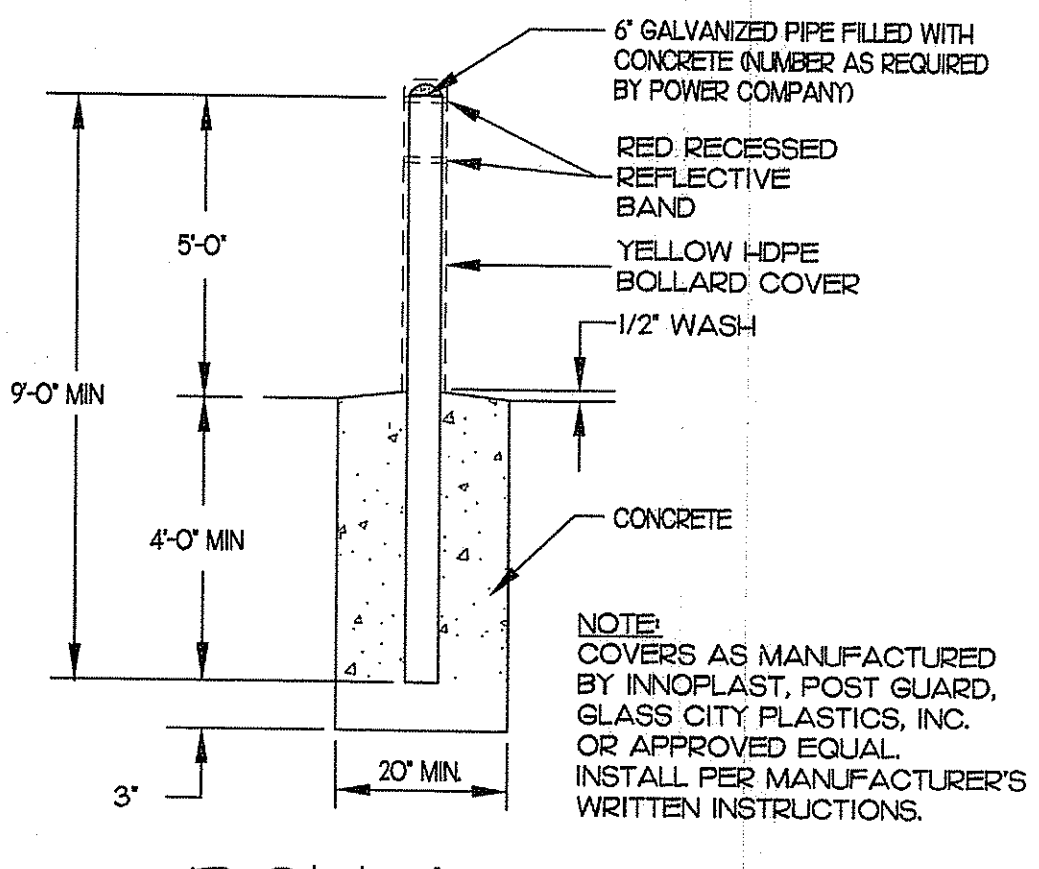
POLE BASE

7
C606 NOT TO SCALE



BOLLARD BASE

8
C606 NOT TO SCALE



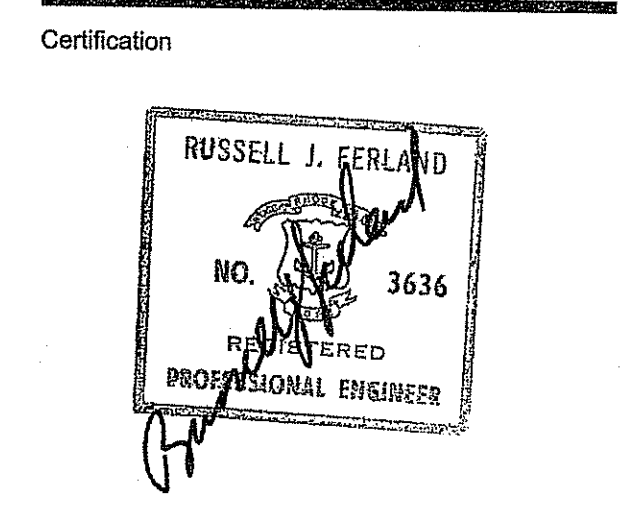
BOLLARD @ TRANSFORMER PAD

9
C606 NOT TO SCALE (CONFORM TO POWER COMPANY STANDARDS)

This drawing is copyrighted and is subject to copyright protection as an "architectural work" under 17 U.S.C. Sec. 101 et seq. The protection includes but is not limited to the overall form as well as the arrangement and composition of spaces, materials, color and elements in the design. Under such protection, unauthorized use of this drawing may result in the cessation of construction or buildings being copied and/or monetary compensation being awarded to The Robinson Green Beretta Corporation (RGB).

Any reproduction, possession, or use of this drawing or any part thereof without the express written permission of RGB, is prohibited. Violators will be prosecuted to the full extent of the law.

© RGB 2008



9/19/08
 Drawn by MAD
 Checked by RJF
 Revised on

NOTICE OF DOCUMENT SECURITY REQUIREMENTS

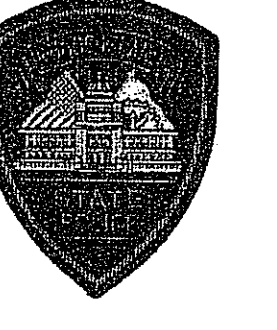
PROPERTY OF THE RHODE ISLAND STATE GOVERNMENT
 COPYING, DISSEMINATION, OR DISTRIBUTION OF THESE DRAWINGS, PLANS OR SPECIFICATIONS TO UNAUTHORIZED PERSONS IS STRICTLY PROHIBITED.

DO NOT REMOVE THIS NOTICE
 Return Documents to Authorized Locations For Distribution as Detailed in Project Manual.
 These documents shall not be reproduced without the exclusive written permission of the Owner under any circumstances. Authorization can be obtained from the Owner as defined in the project manual.

50 Holden Street
 Providence, Rhode Island 02908
 Phone: (401) 272-1730
 Fax: (401) 273-7156
 E-mail: rgbinfo@rgb.net
 www.rgb.net
 Architecture · Engineering · Interior Design

Project **RHODE ISLAND STATE POLICE NEW HEADQUARTERS**

DEPARTMENT OF ENVIRONMENTAL MANAGEMENT
 OFFICE OF WATER RESOURCES
 FRESHWATER WETLANDS PROGRAM
 REVIEWED SITE PLAN APPLICATION NO. 08-0006
 DATED NOV - 7 2008
 SEE LETTER OF SAME DATE.



Charles A. [Signature]

&
RHODE ISLAND E9-1-1 NEW PRIMARY PUBLIC SAFETY ANSWERING POINT FACILITY



A.P. 32 LOT 34
 NORTH SCITUATE, RHODE ISLAND

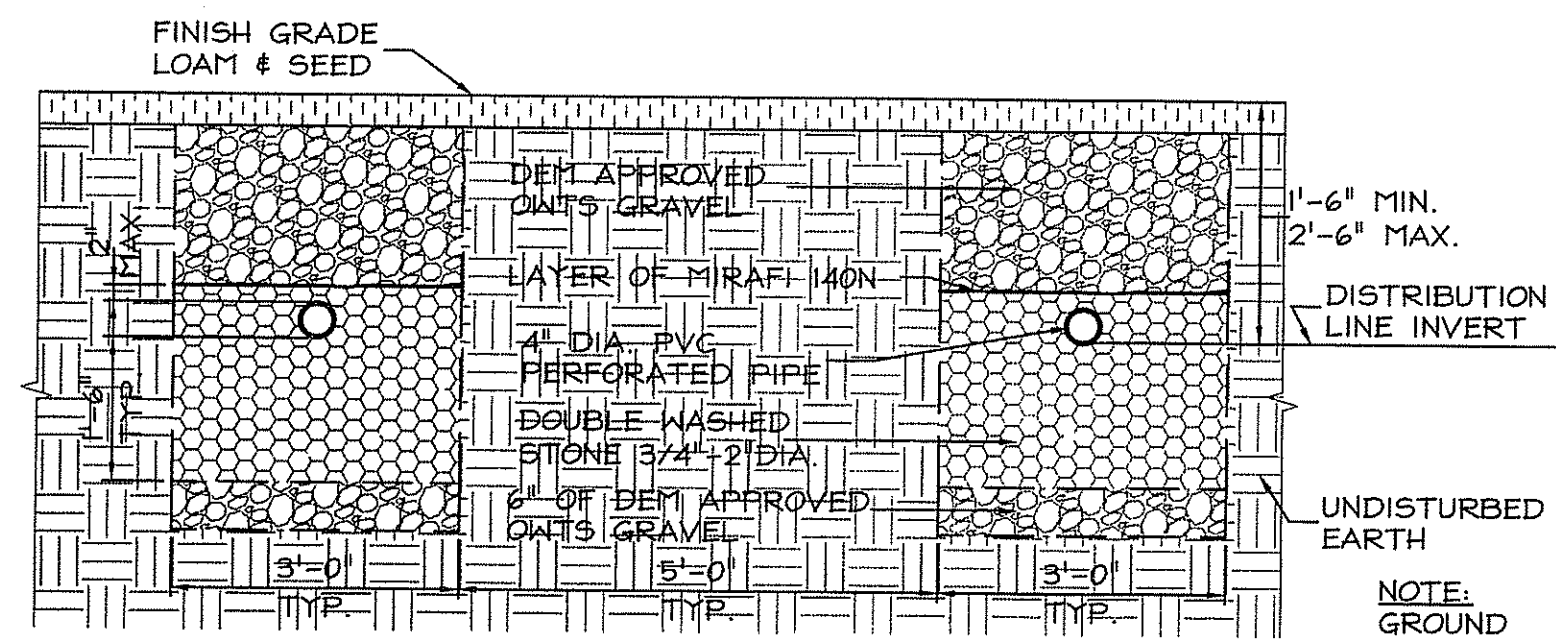
Drawing Status
FOR PERMITTING

Issued On 9/19/2008
 Sheet Contents
DETAILS

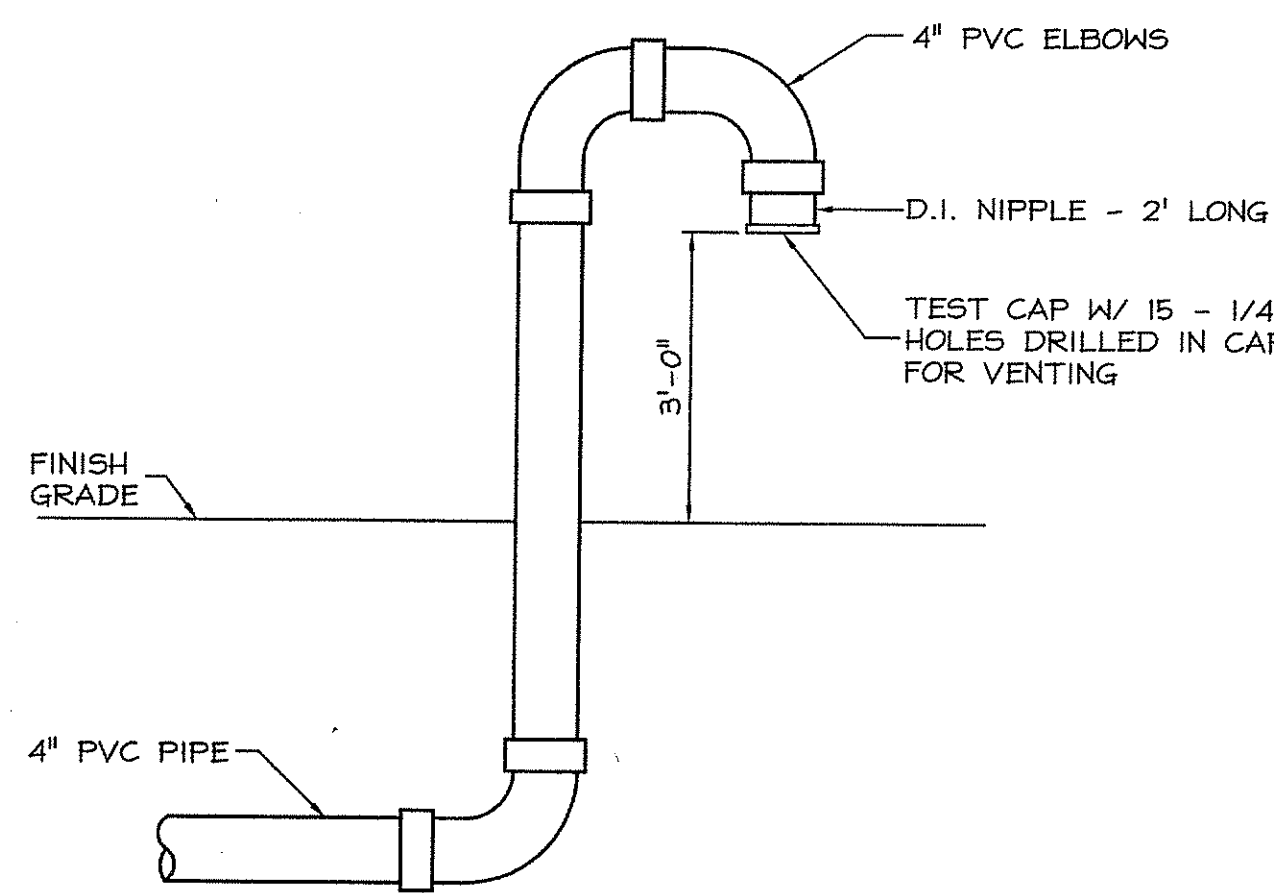
Project Number. 5732

Drawing No.

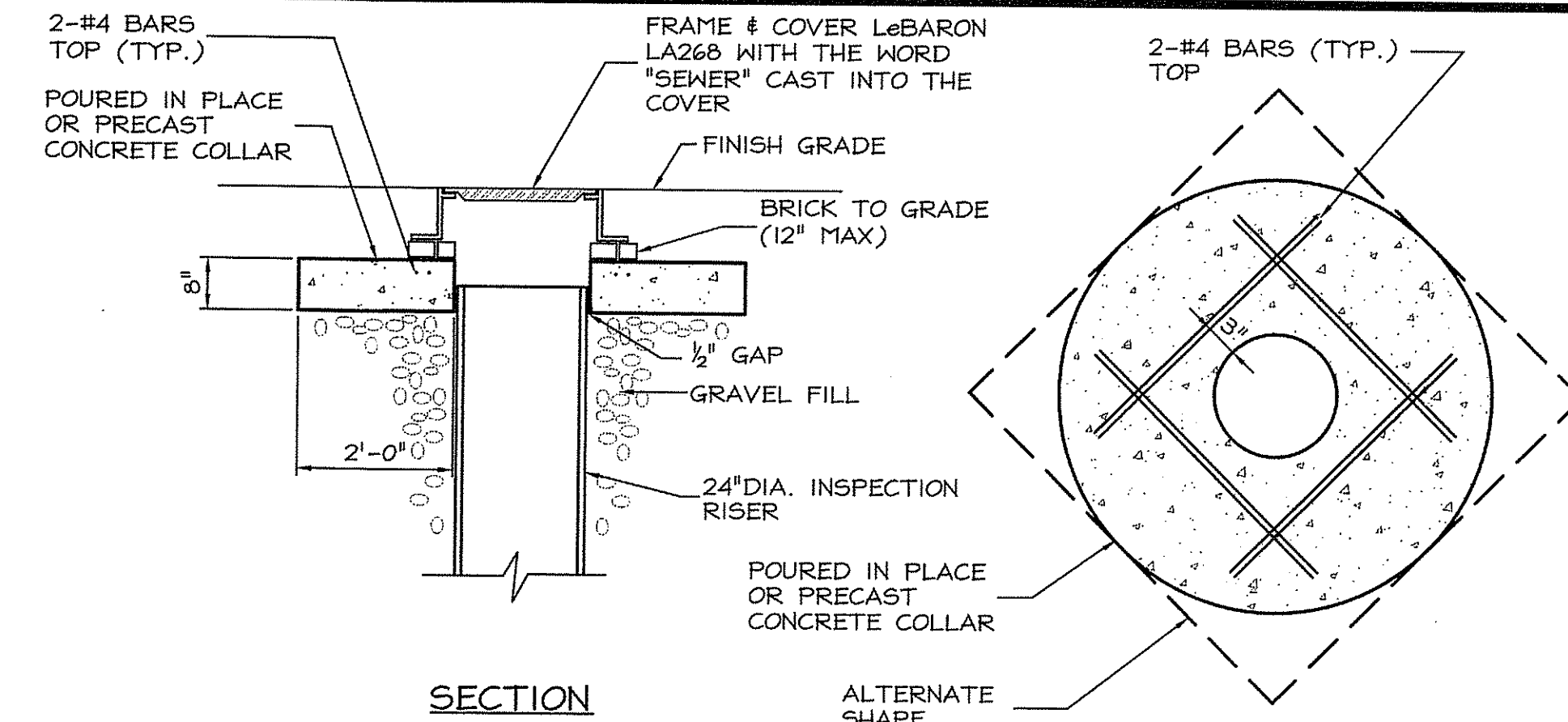
C606



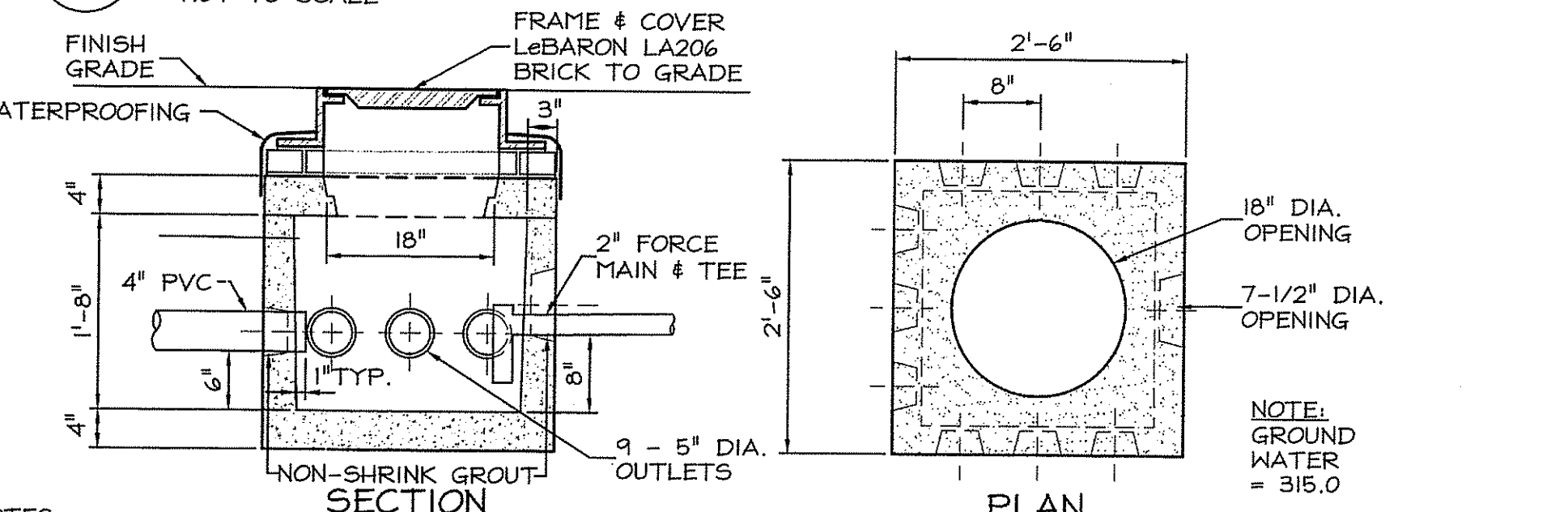
1 TYPICAL TRENCH SECTION
C607 NOT TO SCALE



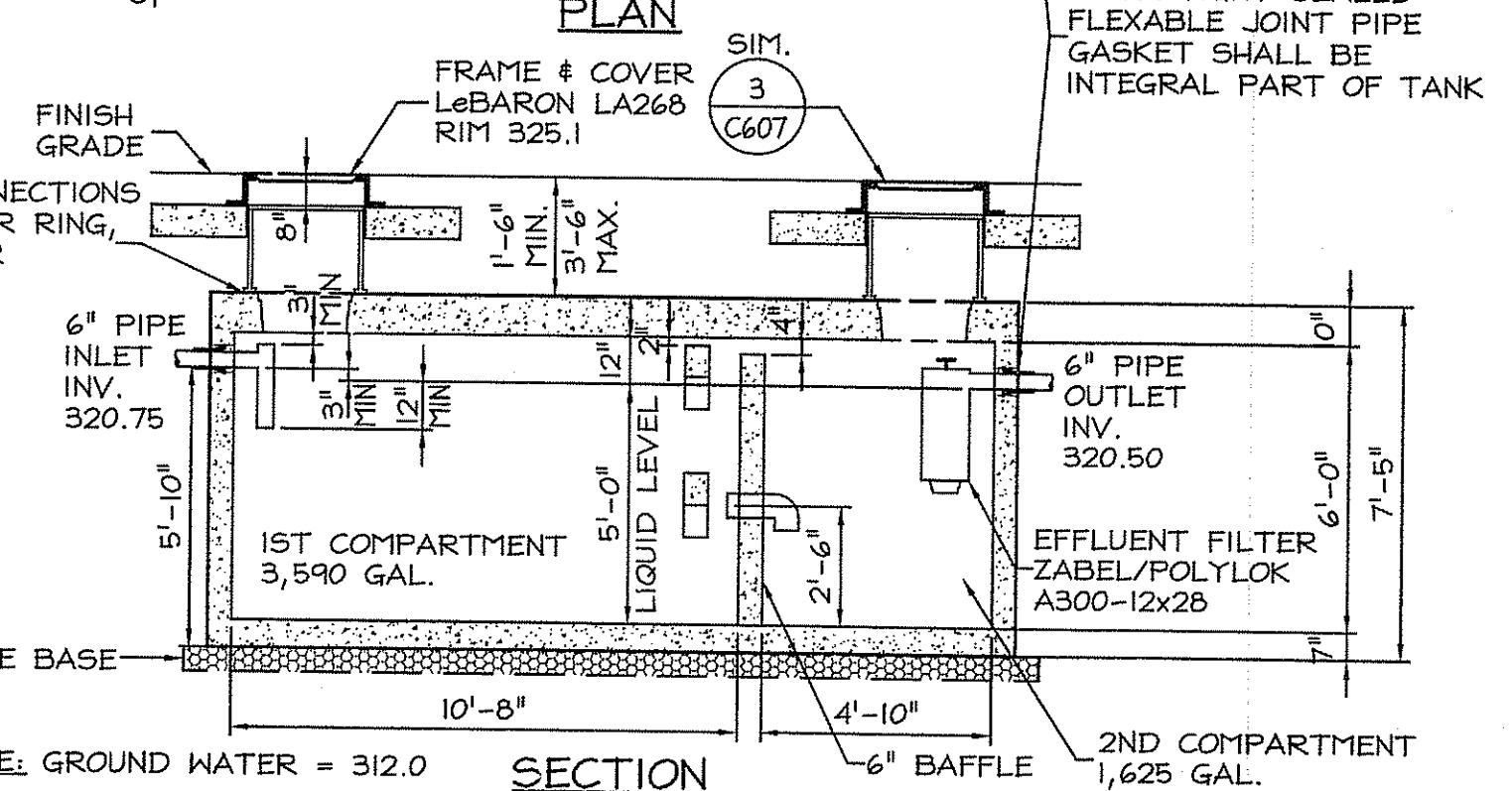
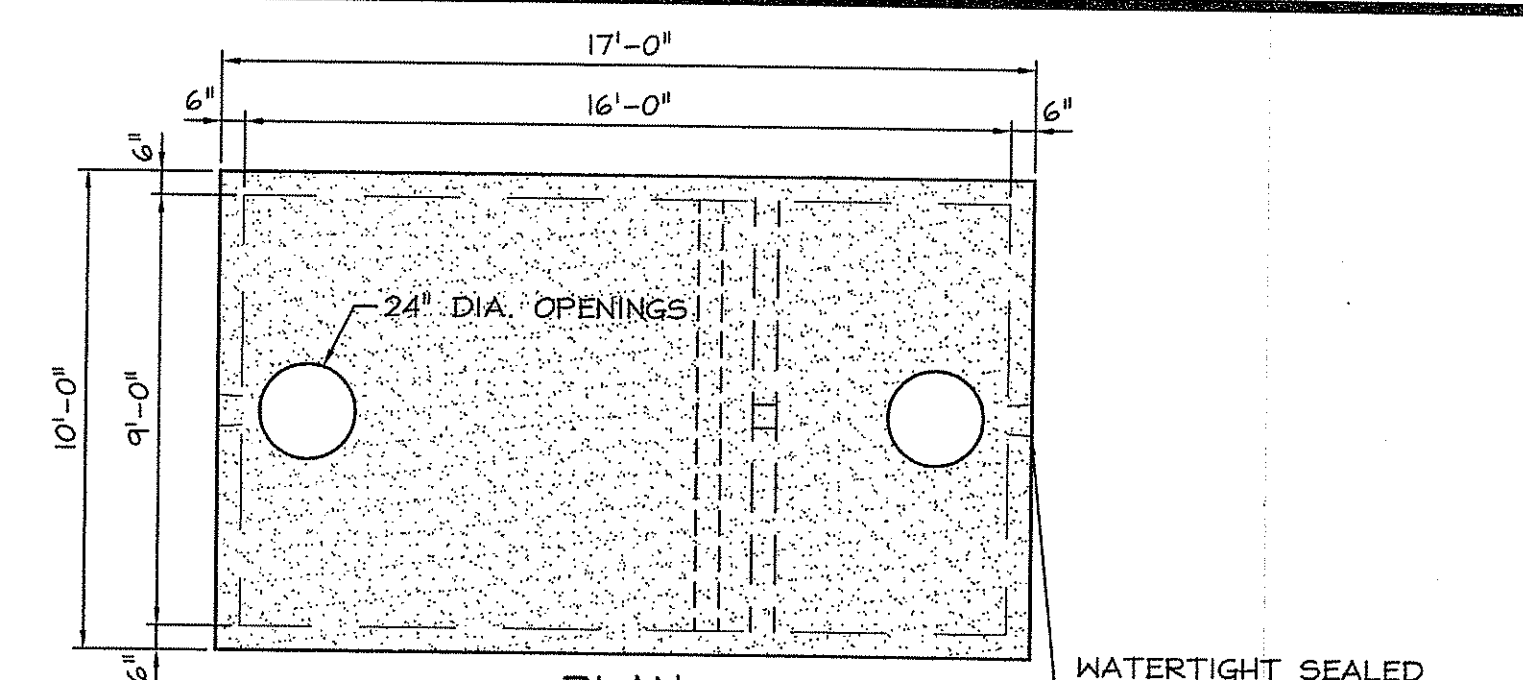
2 VENT
C607 NOT TO SCALE



3 INSPECTION RISER TOP
C607 NOT TO SCALE

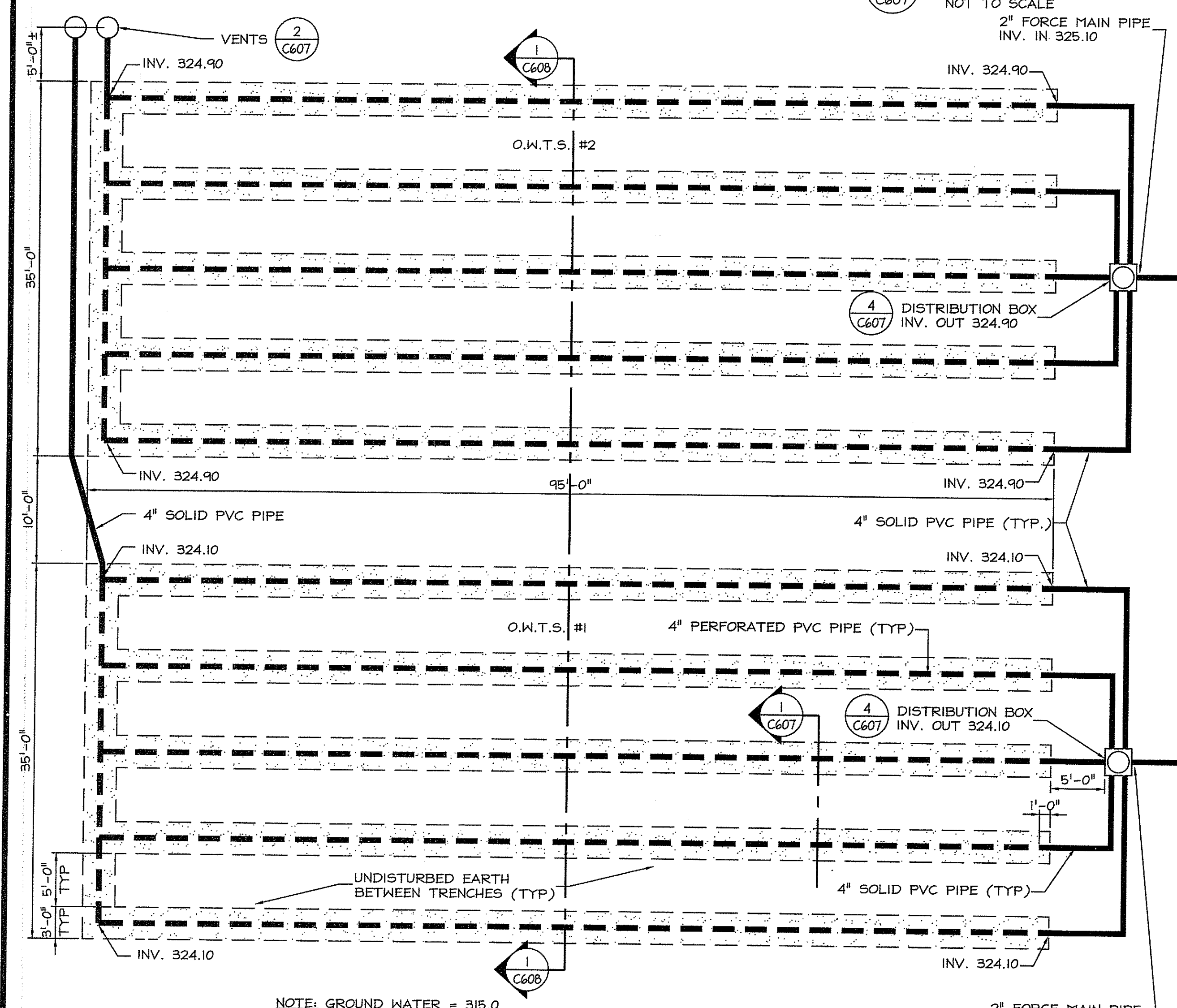


4 DISTRIBUTION BOX - 9 OUTLETS
C607 NOT TO SCALE

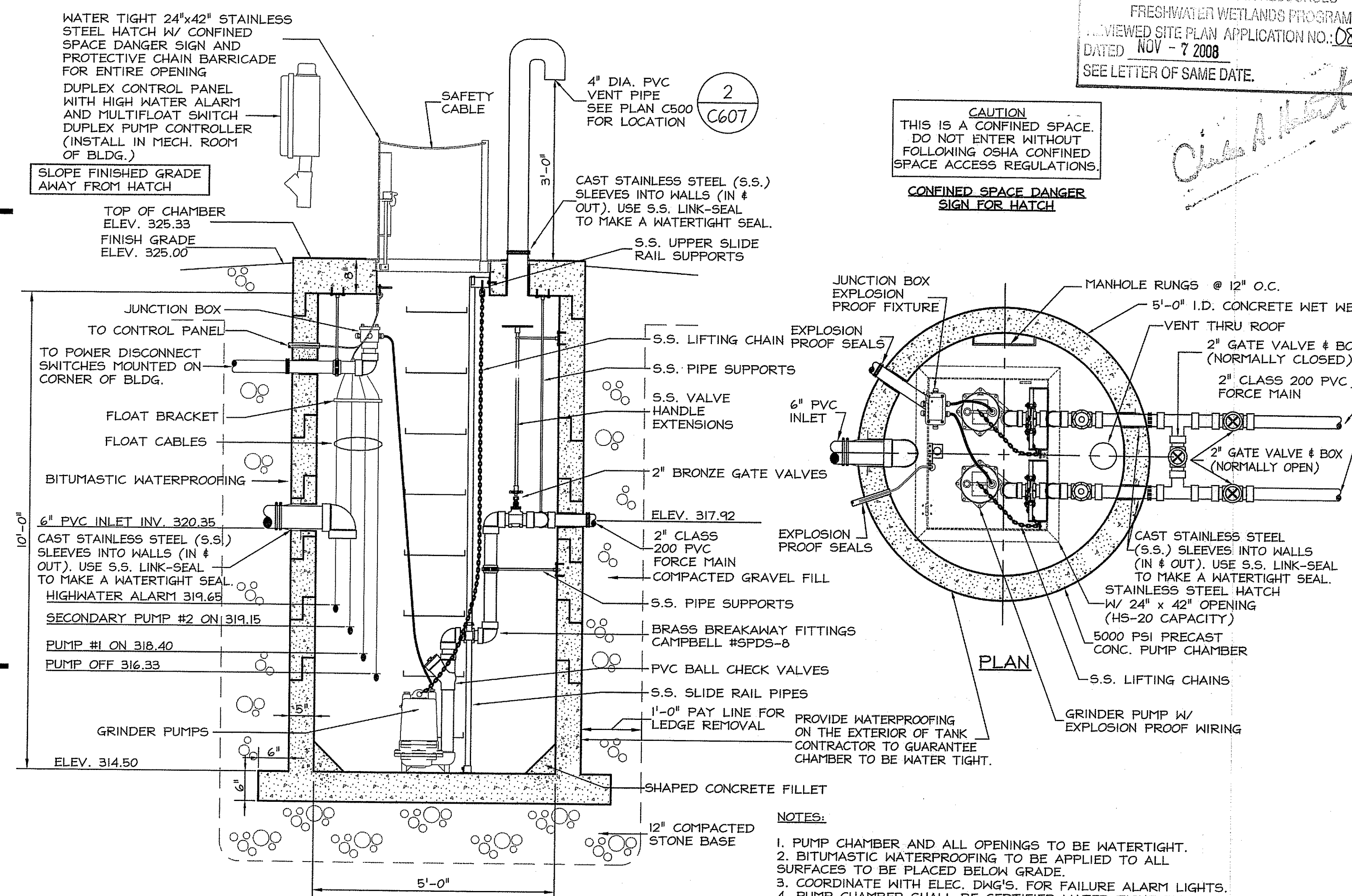


5 5000 GALLON SEPTIC TANK
C607 NOT TO SCALE

NOTES:
 1. PRECAST CONCRETE SEPTIC TANK WT 9 X 16 - 5; MIN. STRENGTH - 5,000 P.S.I. @ 28 DAYS; STEEL REINF. - ASTM A-615, GRADE 60, 1" MIN. COVER; DESIGN LOADING - AASHTO H520-44 LOADING, ASTM C858 & C-1227, ACI 318. CONSTRUCTION JOINT - SEALED WITH 1" DIA. BUTYL RUBBER O-RING GASKET OR EQUAL, AND BOLTED IN CHAMFERED CORNERS WITH 7/8" DIA. BOLTS. TANK SHALL BE WATERTIGHT AND TANK RISERS MUST BE CERTIFIED WATERTIGHT BY THE MANUFACTURER OR BY ON-SITE TESTING. THE INLET AND OUTLET PIPES SHALL BE CONNECTED TO THE TANK WITH A WATERTIGHT SEALED FLEXIBLE JOINT. THE PIPE GASKET SHALL BE AN INTEGRAL PART OF ALL TANKS AND THE PIPE FIT CONNECTION IS ONLY ALLOWED IF THE TANK IS PERFORMANCE TESTED IN ACCORDANCE WITH RULE 26.11. INLET & OUTLET TEES SHALL BE SOLVENT WELDED TO SDR 35 PVC PIPE.



6 TYPICAL TRENCH PLAN
C607 NOT TO SCALE



7 SEWAGE PUMPING STATION
C607 NOT TO SCALE

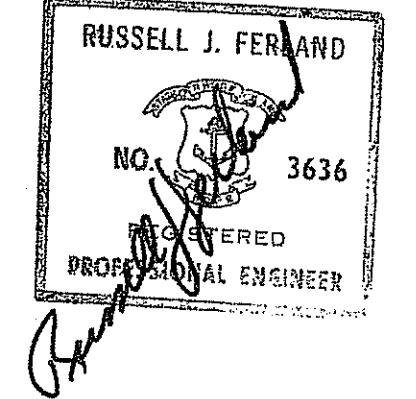
NOTES:
 1. PUMP CHAMBER AND ALL OPENINGS TO BE WATERTIGHT.
 2. BITUMASTIC WATERPROOFING TO BE APPLIED TO ALL SURFACES TO BE PLACED BELOW GRADE.
 3. COORDINATE WITH ELEC. DWG'S. FOR FAILURE ALARM LIGHTS.
 4. PUMP CHAMBER SHALL BE CERTIFIED WATER TIGHT BY MANUFACTURER & INSTALLER.

This drawing is copyrighted and is subject to copyright protection as an "architectural work" under 17 U.S.C. Sec. 101 et seq. The protection includes but is not limited to the overall form as well as the arrangement and composition of spaces, materials, color and elements in the design. Under such protection, unauthorized use of this drawing may result in the creation of construction or buildings being copied and/or mechanical reproduction being awarded to The Robinson Green Beretta Corporation (RGB).

Any reproduction, possession, or use of this drawing or any part thereof without the express written permission of RGB, is prohibited. Violators will be prosecuted to the full extent of the law.

© RGB 2008

Certification



9/19/08
 Drawn by MAD
 Checked by RJF
 Revised on

NOTICE OF DOCUMENT SECURITY REQUIREMENTS

PROPERTY OF THE RHODE ISLAND STATE GOVERNMENT
 COPYING, DISSEMINATION, OR DISTRIBUTION OF THESE DRAWINGS, PLANS OR SPECIFICATIONS TO UNAUTHORIZED PERSONS IS STRICTLY PROHIBITED.

DO NOT REMOVE THIS NOTICE
 Return Documents to Authorized Locations For Destruction as Detailed in Project Manual.

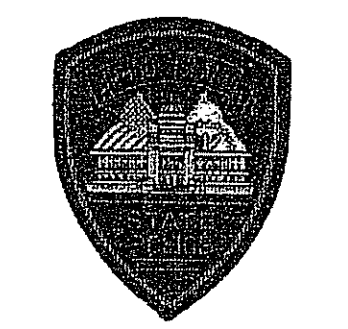
These documents shall not be reproduced without the exclusive written permission of the Owner under any circumstances. Authorization can be obtained from the Owner as defined in the project manual.

50 Holden Street
 Providence, Rhode Island 02909
 Phone: (401) 272-1730
 Fax: (401) 273-7155
 E-mail: rgbinfo@rgb.net
 www.rgb.net



Architecture • Engineering • Interior Design

Project **RHODE ISLAND STATE POLICE NEW HEADQUARTERS**



&
RHODE ISLAND E9-1-1 NEW PRIMARY PUBLIC SAFETY ANSWERING POINT FACILITY



A.P. 32 LOT 34
 NORTH SCITUATE, RHODE ISLAND

Drawing Status **FOR PERMITTING**

Issued On 9/19/2008

Sheet Contents

DETAILS

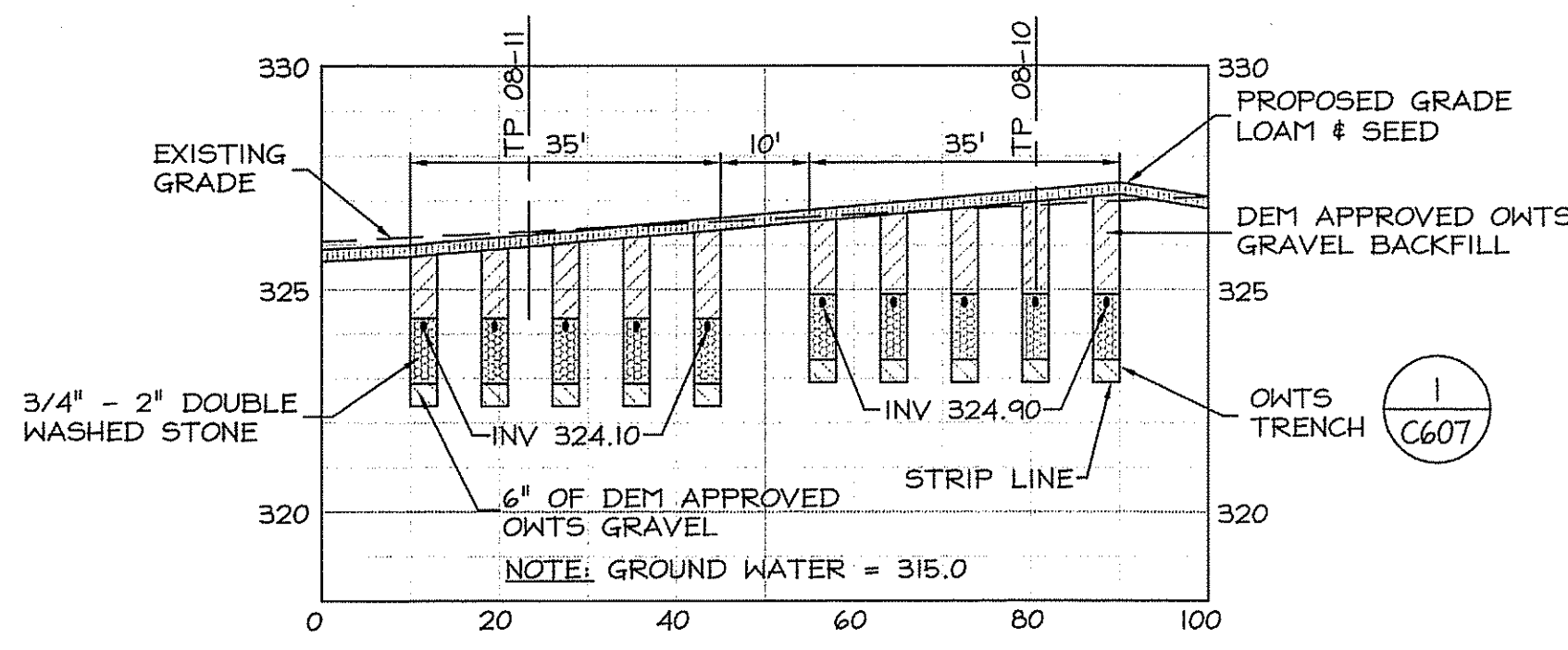
Project Number. 5732
 Drawing No.

C607

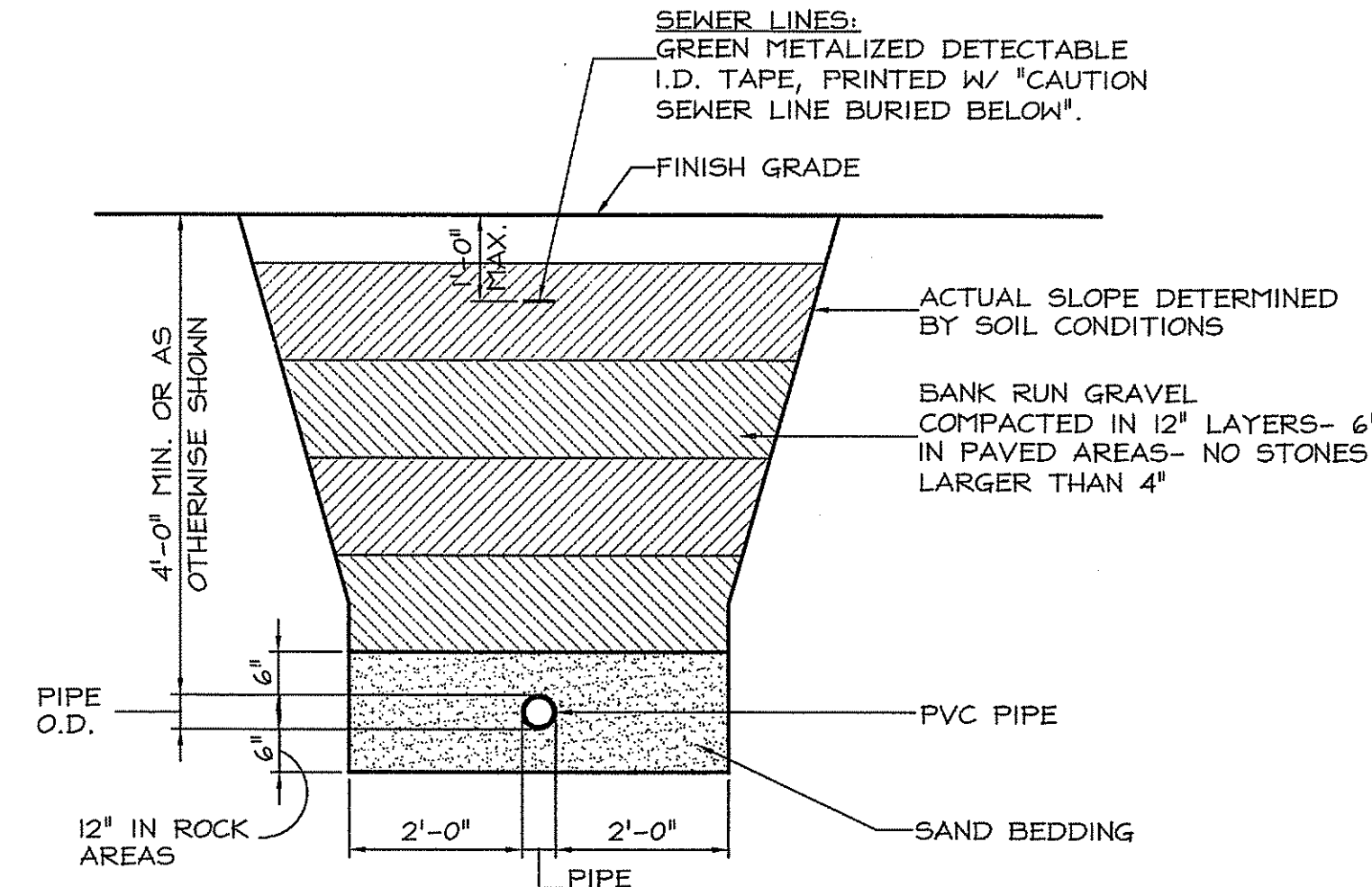
Sheet 20 of 27

OWTS GENERAL NOTES:

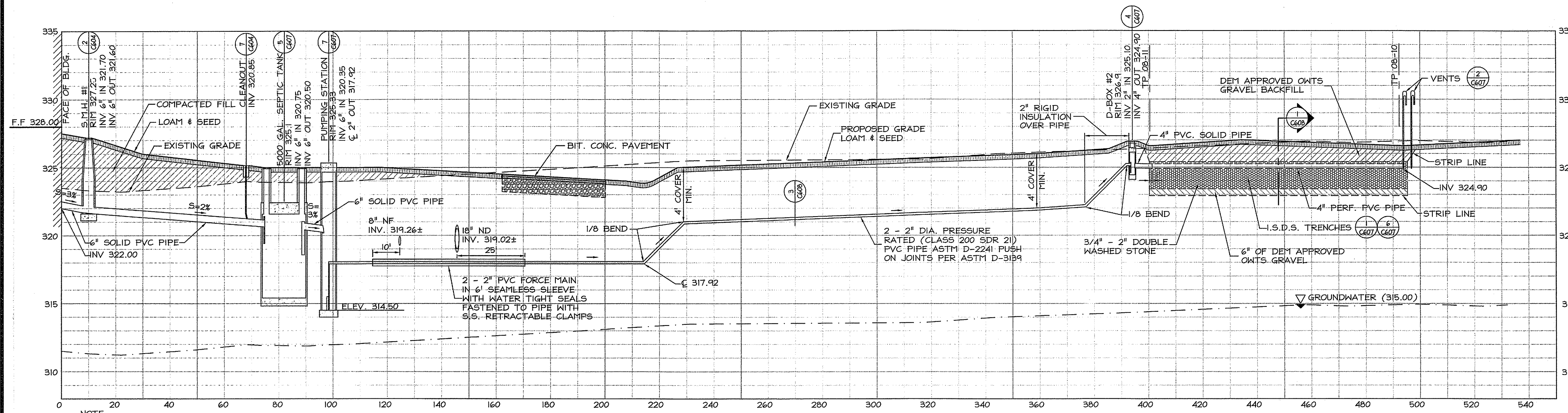
- ALL OTHER DESIGN, CONSTRUCTION, AND MAINTENANCE REQUIREMENTS WHETHER NOTED HEREON, OR NOT, SHALL BE IN CONFORMANCE WITH RULES & REGULATIONS ESTABLISHING MINIMUM STANDARDS RELATING TO LOCATION, DESIGN, CONSTRUCTION AND MAINTENANCE OF ONSITE WASTEWATER TREATMENT SYSTEMS (OWTS), JANUARY 1, 2008 WITH LATEST AMENDMENTS, BY THE RIDEM AUTHORITY CHAPTERS 5-56, 5-56.1, 42-17.1, 23-19.5, & 23-24.3 OF THE RI GENERAL LAWS OF 1956, AS AMENDED.
- COMPLY WITH ALL ADDITIONAL TERMS OF APPROVAL AS MAY BE REQUIRED BY RIDEM.
- THE CONTRACTOR MUST NOTIFY THE LICENSED DESIGNER 48 HOURS PRIOR TO START OF CONSTRUCTION WITH VALID INSTALLERS LICENSE NUMBER. THE DESIGNER MUST NOTIFY RIDEM 24 HOURS PRIOR TO START OF CONSTRUCTION IN ACCORDANCE WITH RULE 43 OF RIDEM OWTS REGULATIONS.
- THE CONTRACTOR SHALL MAINTAIN A COPY OF THE APPROVED PLANS ONSITE AT ALL TIMES.
- THE CONTRACTOR MUST FOLLOW ALL ITEMS CIRCLED IN THE LOWER RIGHT HAND AREA OF THE OWTS APPLICATION LABELED "IMPORTANT". IN ADDITION, NOTIFY ENGINEER DURING THE DIFFERENT STAGES OF CONSTRUCTION TO ALLOW THE ENGINEER TO OBSERVE COMPLIANCE WITH THE APPROVED PLANS, AS REQUIRED BY RIDEM.
- THE CONTRACTOR SHALL PROVIDE THE DESIGNER WITH MATERIAL RECEIPTS FOR ALL CONSTRUCTION MATERIALS PRIOR TO DESIGNER ISSUING CERTIFICATE OF CONSTRUCTION.
- IF THE CONTRACTORS UNANTICIPATED CONDITIONS DURING CONSTRUCTION WHICH INDICATE THAT THE SYSTEM CANNOT BE INSTALLED IN ACCORDANCE WITH THE APPROVED DESIGN, THE INSTALLER SHALL STOP CONSTRUCTION AND NOTIFY THE LICENSED DESIGNER RESPONSIBLE FOR WITNESSING AND INSPECTING THE INSTALLATION IN ACCORDANCE WITH RULE 43.
- THE LICENSED DESIGNER SHALL WITNESS AND INSPECT ALL ASPECTS OF THE INSTALLATION, KEEP RECORDS, PREPARE THE CERTIFICATE OF COMPLETION AND PROVIDE O&M INFORMATION AND RECOMMENDATIONS TO THE OWNER, IN ACCORDANCE WITH RULE 43.
- STRIP TO 5' BEYOND AREA OF DISPOSAL TRENCHES TO SUFFICIENT DEPTH TO REMOVE TOPSOIL, SUBSOIL AND UNDESIRABLE MATERIAL AND SOIL CONTAINING FINES. SCARIFY BOTTOM AND SIDES WITH UNION RAKE. DEPARTMENT OF ENVIRONMENTAL MANAGEMENT AND ARCHITECT/ENGINEER MUST INSPECT BOTTOM OF EXCAVATION BEFORE PLACING GRAVEL.
- STRIP ALL VEGETATION, TREES, BRUSH MATERIAL A MINIMUM OF 10' ON ALL SIDES OF THE LEACHING AREA.
- PROVIDE SCHEDULE 40 PVC PIPE OR EQUAL FROM THE BUILDING TO THE SEPTIC TANK UNLESS NOTED OTHERWISE.
- THE FIRST (2') TWO FEET OF THE PIPE FROM THE DISTRIBUTION BOX TO BE RUN LEVEL.
- AFTER ALL PIPES ARE INSTALLED IN THE SEPTIC TANK AND DISTRIBUTION BOX, PATCH WITH NON-SHRINK GROUT.
- SOLID DISTRIBUTION PIPE TO BE POLYVINYL CHLORIDE (PVC) SEWER PIPE CONFORMING TO ASTM D3034 SDR 35.
- PERFORATED PIPE TO BE POLYVINYL CHLORIDE (PVC) SEWER PIPE CONFORMING TO ASTM D3034 SDR 35.
- PVC PIPE SHALL BE INSTALLED PER MANUFACTURER'S RECOMMENDATIONS.
- STONE FOR LEACH FIELD SHALL CONSIST OF DOUBLE WASHED STONE RANGING FROM NOT LESS THAN THREE QUARTER (3/4) INCH TO NOT MORE THAN TWO (2) INCHES IN SIZE AND FREE OF FINES, SOILS, STONE DUST OR DEBRIS.
- IT IS ESSENTIAL THAT ALL DISTANCES AND ELEVATIONS BE ACCURATELY SET PRIOR TO THE START OF CONSTRUCTION.
- NO FINISH GRADE WITHIN 25' OF THE DISPOSAL TRENCHES SHALL BE BELOW THE INVERT ELEVATION OF 324.90.
- ALL SEPTIC TANKS AND THEIR RISERS MUST BE CERTIFIED WATERTIGHT BY THE MANUFACTURER OR BY ONSITE TESTING IN ACCORDANCE WITH RULE 26.11.
- ALL RISER COVERS SHALL BE SET TO GRADE AND GRADED TO DIVERT SURFACE RUNOFF. THE SEPTIC TANK MANUFACTURER SHALL PROVIDE AND THE LICENSED OWTS INSTALLER SHALL ATTACH A LABEL OF NONCORROSIVE MATERIAL IN A PROMINENT LOCATION AT EACH ACCESS OPENING TO WARN THAT "ENTRANCE INTO THE TANK COULD BE FATAL".
- SYSTEM IS DESIGNED FOR 143 EMPLOYEES + 5 HOLDING CELLS - 2,395 GPD.
- THERE ARE NO EXISTING OR PROPOSED PRIVATE DRINKING WATER WELLS WITHIN 200 FEET OF THE PROPOSED OWTS, EXCEPT AS SHOWN.
- THERE ARE NO EXISTING OR PROPOSED PUBLIC WELLS WITHIN 400' OF THIS SYSTEM.
- THERE ARE NO PRIVATE WELLS OR SUBSURFACE DRINKING WATER SUPPLIES OR TRIBUTARIES INCLUDING STORM OR SUBSURFACE DRAINS, THAT DISCHARGE THERETO WITHIN 200' OF THIS SYSTEM, THAT HAVE NOT BEEN LOCATED ON THE SITE PLAN.
- THERE ARE NO SUBSURFACE DRAINS, FOUNDATION DRAINS OR STORM DRAINS WITHIN 50' OF THE OWTS.
- THE BOTTOM OF TRENCHES SHALL BE LEVEL AND SCARIFIED.
- SEPTIC TANK AND DISTRIBUTION BOXES SHALL BE SET ON A LEVEL STABLE BASE OF 6" COMPACTED CRUSHED STONE.
- THERE ARE NO OWTS WITHIN 100' OF PROPOSED AND EXISTING WELL SITES.
- GROUNDWATER TABLE BASED ON RIDEM SOIL EVALUATION #0830-0462.
- THIS SYSTEM IS NOT DESIGNED TO HANDLE A GARBAGE DISPOSAL OR OTHER HIGH WATER USE UNITS.
- THE DESIGNER IS NOT RESPONSIBLE FOR ANY NEGLIGENT ACT OF OMISSION OF A USER OF A OWTS, INCLUDING BUT NOT LIMITED TO, FAILURE TO PROPERLY USE AND MAINTAIN THE SYSTEM, WHICH CAUSES DAMAGE TO THE OWTS.



1 SANITARY TRENCH SECTION
 NOTE: THIS PROFILE IS BASED ON BEST AVAILABLE INFORMATION. ALLOW FOR DISCREPANCIES AND ADDITIONAL UNFORESEEN OBSTRUCTIONS IN YOUR BID.
 C608 HORZ. 1"=20' VERT. 1"=4'



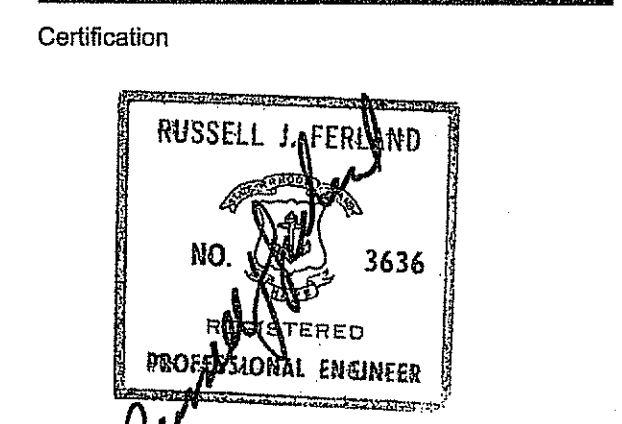
3 TYPICAL FORCE MAIN TRENCH
 NOTE: COMPACTION OF LIFTS SHALL ACHIEVE A MINIMUM OF 95% OF THE MAXIMUM SOIL DENSITY AS PER ASTM D1557 METHOD C.
 C608 NOT TO SCALE



2 SANITARY PROFILE
 NOTE: THIS PROFILE IS BASED ON BEST AVAILABLE INFORMATION. ALLOW FOR DISCREPANCIES AND ADDITIONAL UNFORESEEN OBSTRUCTIONS IN YOUR BID.
 C608 HORZ. 1"=20' VERT. 1"=4'

This drawing is copyrighted and is subject to copyright protection as an "architectural work" under 17 U.S.C. Sec. 101 et seq. The protection includes but is not limited to the overall form as well as the arrangement and composition of spaces, materials, color and elements in the design. Under such protection, unauthorized use of this drawing may result in the cessation of construction or buildings being raised and/or monetary compensation being awarded to The Robinson Design Corporation (RDB).

Any reproduction, possession, or use of this drawing or any part thereof without the express written permission of RDB, is prohibited. Violators will be prosecuted to the full extent of the law.
 © RGB 2008



9/19/08

Drawn by: MAD
 Checked by: RJF
 Revised on:

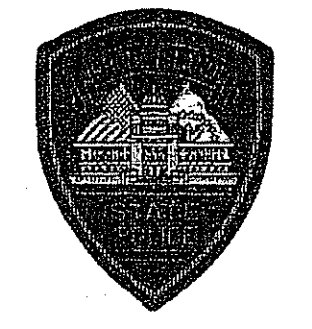
NOTICE OF DOCUMENT SECURITY REQUIREMENTS

PROPERTY OF THE RHODE ISLAND STATE GOVERNMENT
 COPYING, DISSEMINATION, OR DISTRIBUTION OF THESE DRAWINGS, PLANS OR SPECIFICATIONS TO UNAUTHORIZED PERSONS IS STRICTLY PROHIBITED.
 DO NOT REMOVE THIS NOTICE!
 Return Documents to Authorized Locations For Destruction as Delineated in Project Manual.
 These documents shall not be reproduced without the exclusive written permission of the Owner under any circumstances. Authorization can be obtained from the Owner as defined in the project manual.

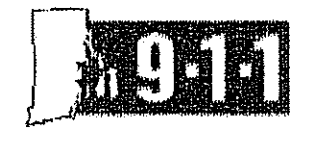
DEPARTMENT OF ENVIRONMENTAL MANAGEMENT
 OFFICE OF WATER RESOURCES
 FRESHWATER WETLANDS PROGRAM
 REVIEWED SITE PLAN APPLICATION NO.: 08-028
 DATED NOV - 7 2008
 SEE LETTER OF SAME DATE.

30 Holden Street
 Providence, Rhode Island 02908
 Phone: (401) 272-1730
 Fax: (401) 273-7155
 E-mail: rgbinfo@rgb.net
 www.rgb.net
 Architecture · Engineering · Interior Design

Project: **RHODE ISLAND STATE POLICE NEW HEADQUARTERS**



&
RHODE ISLAND E9-1-1 NEW PRIMARY PUBLIC SAFETY ANSWERING POINT FACILITY



A.P. 32 LOT 34
 NORTH SITUATE, RHODE ISLAND

Drawing Status: **FOR PERMITTING**

Issued On: 9/19/2008

Sheet Contents: **DETAILS**

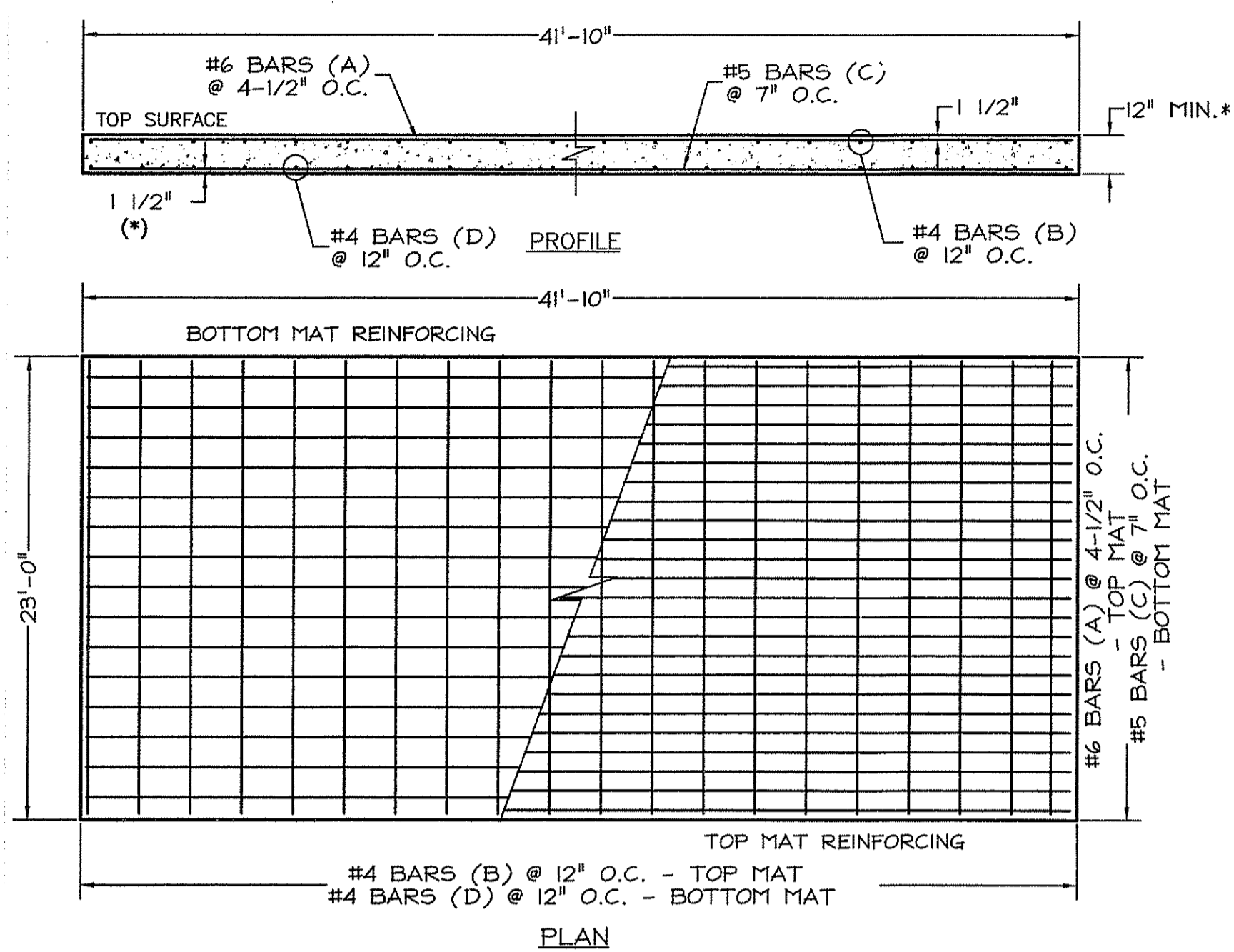
Project Number: 5732
 Drawing No.:

C608

Sheet 21 of 27

12,000 GALLON CONVAULT TANK SLAB DESIGN

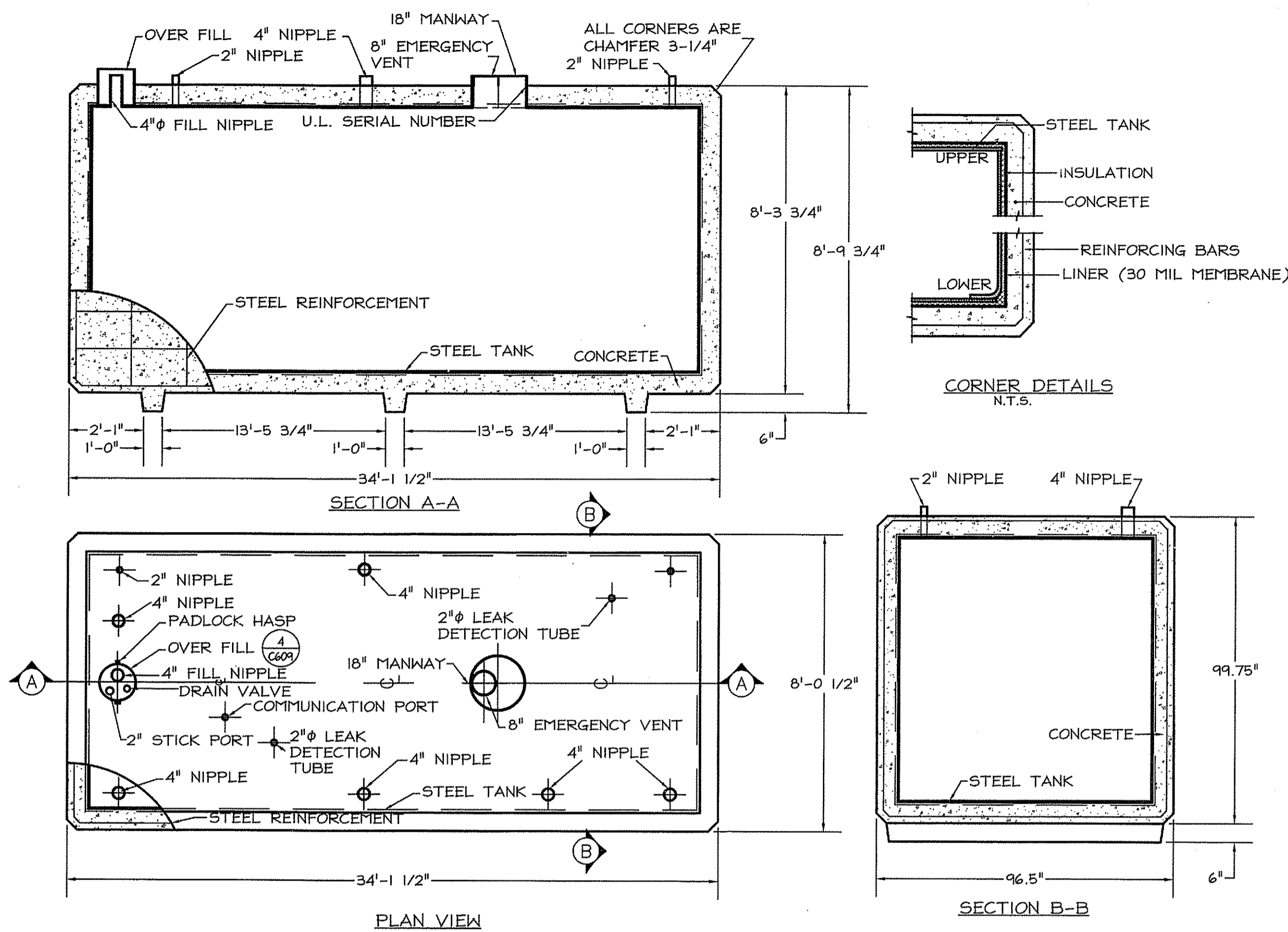
A CONCRETE PAD IS A REQUIREMENT OF CONVAULT. CONCRETE FILLED POSTS (BOLLARDS) ARE REQUIRED AROUND THE PERIMETER.



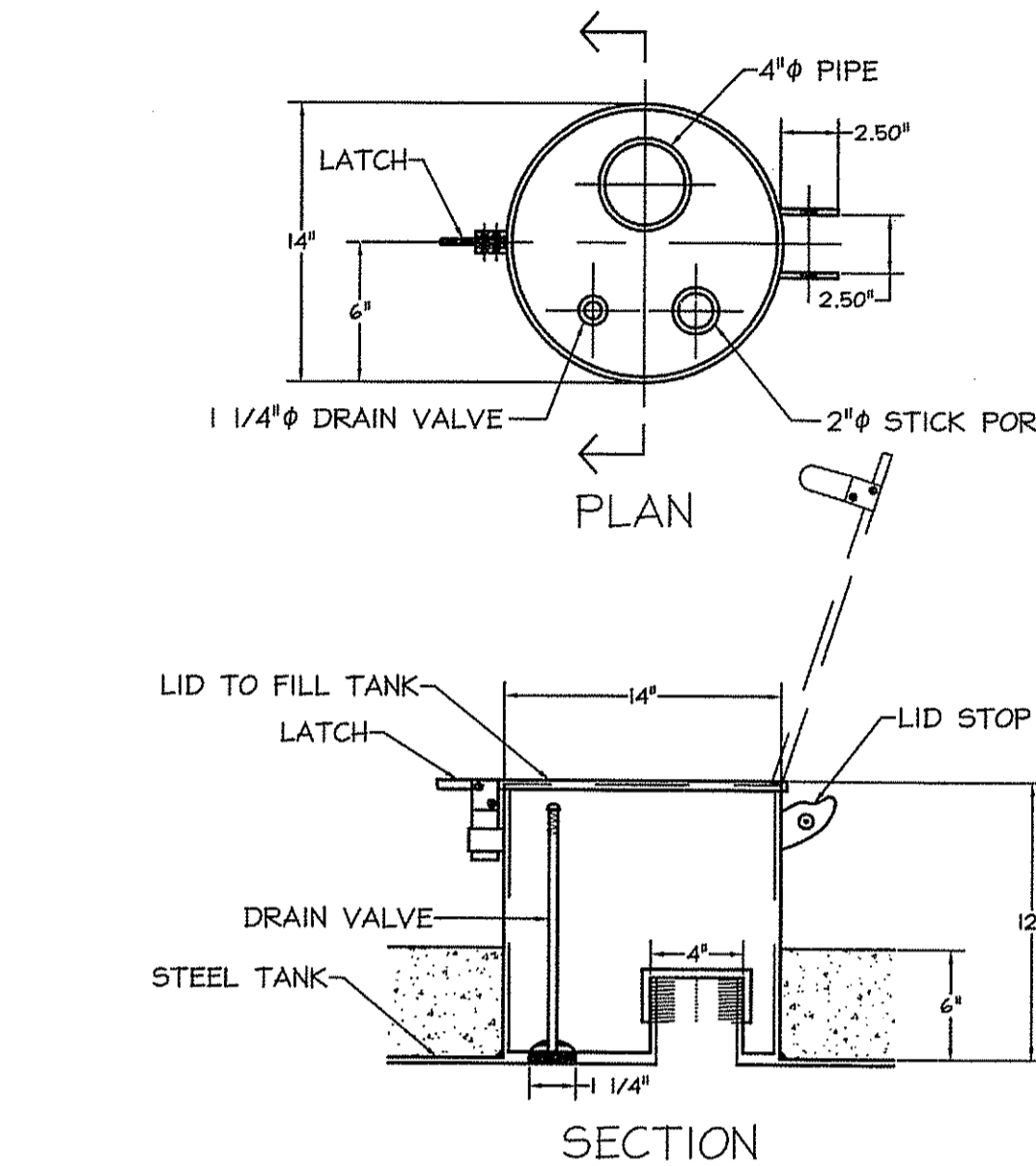
NOTES:

1. ALL CONCRETE TO HAVE 28 DAY COMPRESSIVE STRENGTH OF 5000 PSI.
2. REINFORCING STEEL SHALL COMPLY WITH ASTM A615 GRADE 60 OR ASTM A706 GRADE 60. BAR BENDING AND PLACEMENT SHALL COMPLY WITH THE LATEST ACI STANDARDS.
3. EQUIVALENT AREA $F_y=65000$ PSI ASTM A185 OR A497. REINFORCING CAGES MAY BE UTILIZED IN LIEU OF GRADE 60 REINFORCING BARS.
4. * - CONTRACTOR TO COORDINATE THICKNESS W/ MANUFACTURER BASED ON SOIL CONDITIONS.

1 CONCRETE PAD FOR FUEL TANKS
C609 NOT TO SCALE

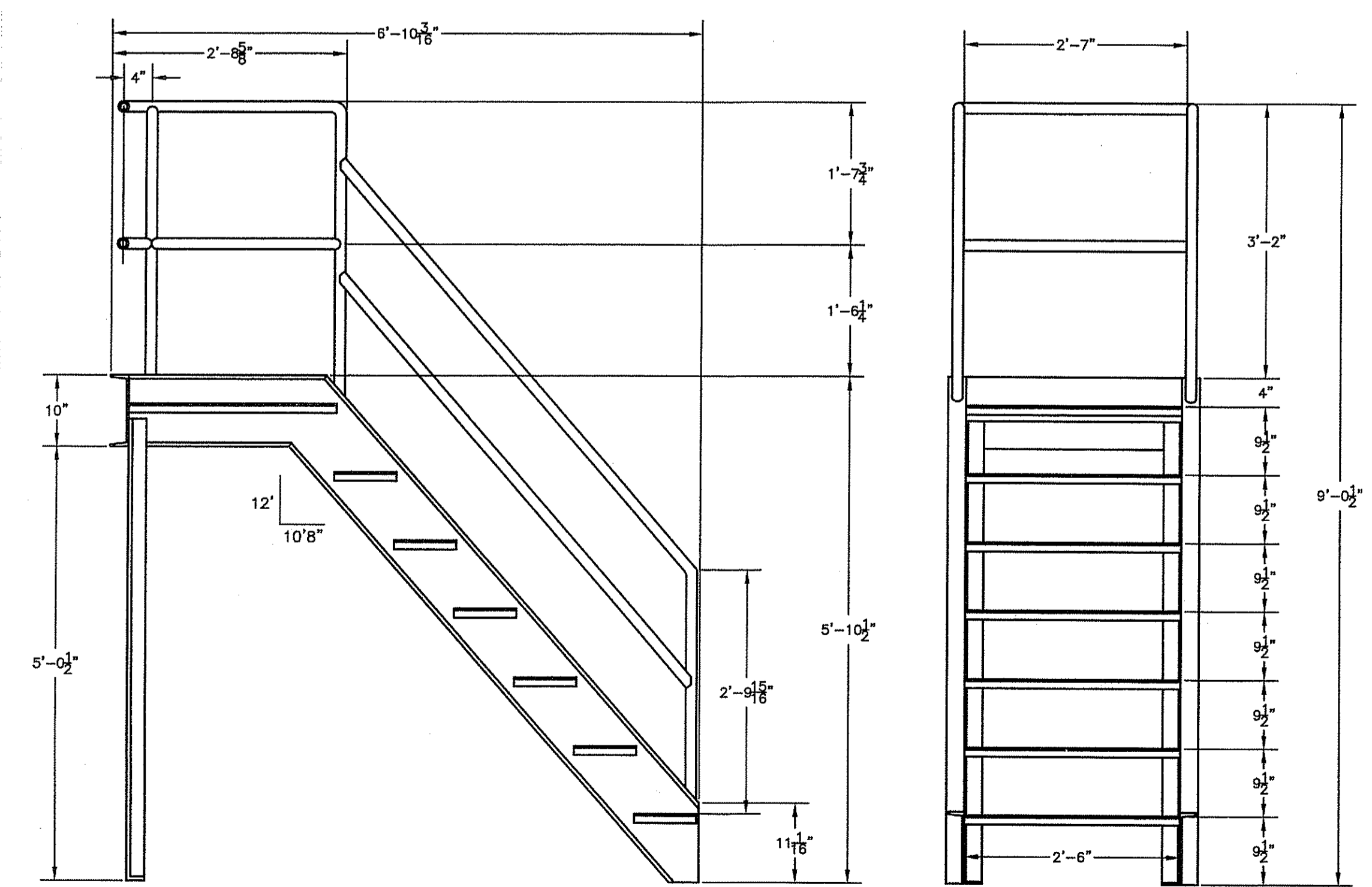


2 12,000 GALLON CONVAULT TANK
C609 NOT TO SCALE

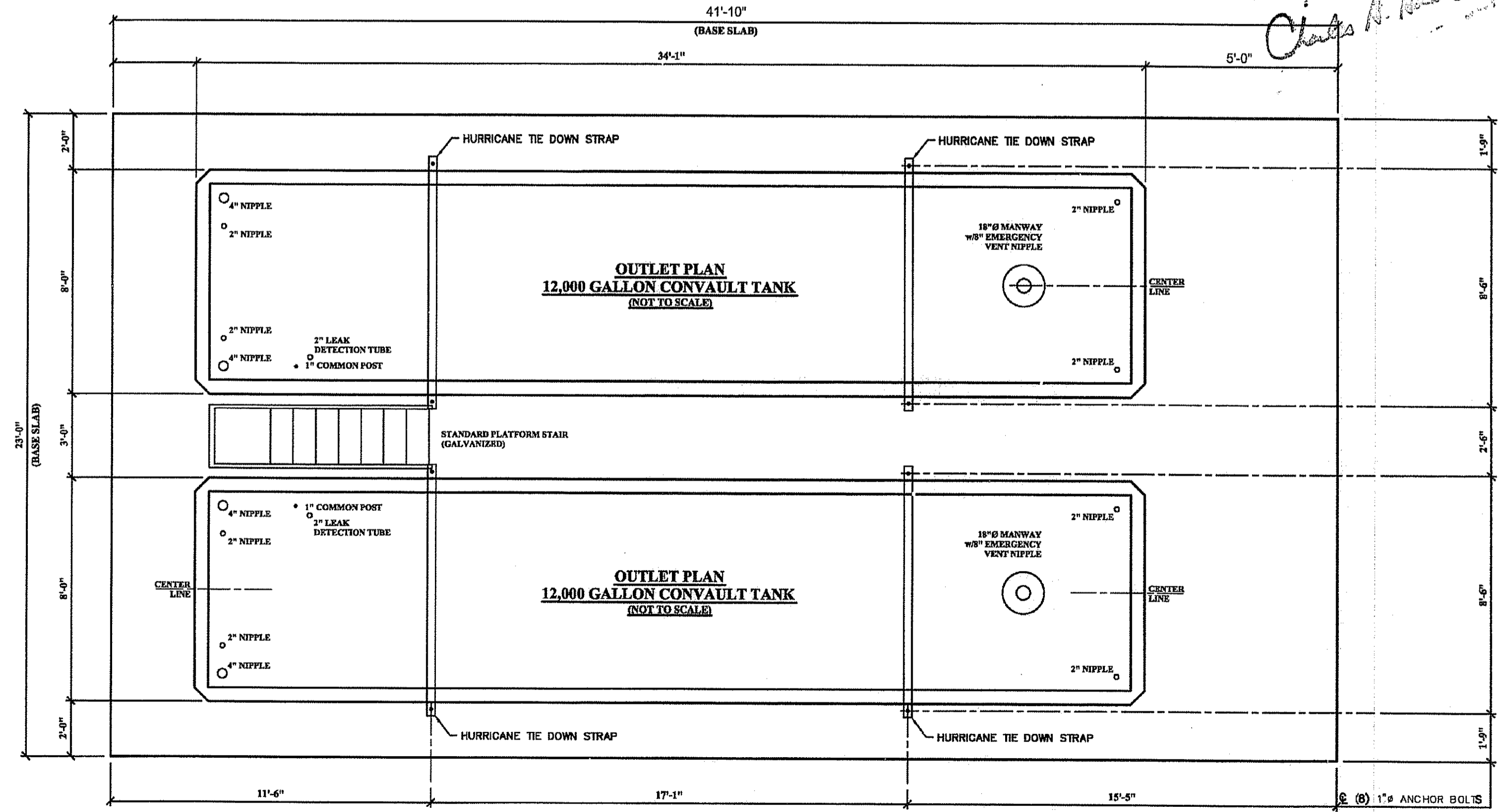


3 12,000 GALLON CONVAULT TANK
C609 NOT TO SCALE

DEPARTMENT OF ENVIRONMENTAL MANAGEMENT
OFFICE OF WATER RESOURCES
FRESHWATER WETLANDS PROGRAM
REVISION TO PLAN APPLICATION NO. 08-0206
DATED NOV - 7 2008
SEE LETTER OF SAME DATE.



4 CONVAULT TANK STEPS AND HANDRAILS
C609 NOT TO SCALE

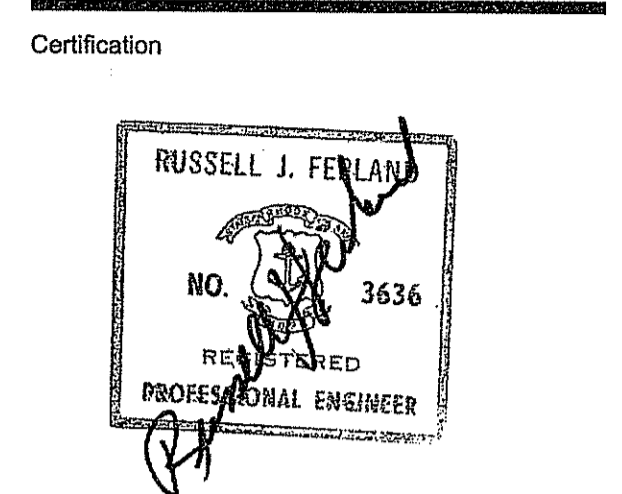


5 CONVAULT TANK PLAN VIEW
C609 NOT TO SCALE

This drawing is copyrighted and is subject to copyright protection as an architectural work under 17 U.S.C. Sec. 101 et seq. The protection includes but is not limited to the overall form as well as the arrangement and composition of spaces, materials, color and elements in the design. Under such protection, unauthorized use of this drawing may result in the cessation of construction or buildings being seized and/or monetary compensation being awarded to The Robinson Green Benefit Corporation (RGC).

Any reproduction, possession, or use of this drawing or any part thereof without the express written permission of RGC, is prohibited. Violators will be prosecuted to the full extent of the law.

© RGB 2008



9/19/08
Drawn by JND
Checked by RJF
Revised on

NOTICE OF DOCUMENT SECURITY REQUIREMENTS
PROPERTY OF THE RHODE ISLAND STATE GOVERNMENT
COPYING, DISSEMINATION, OR DISTRIBUTION OF THESE DRAWINGS, PLANS OR SPECIFICATIONS TO UNAUTHORIZED PERSONS IS STRICTLY PROHIBITED.
DO NOT REMOVE THIS NOTICE
Return Documents to Authorized Locations for Destruction as Directed in Project Manual.
These documents shall not be reproduced without the exclusive written permission of the Owner under any circumstances. Authorization can be obtained from the Owner as defined in the project manual.

50 Holden Street
Providence, Rhode Island 02908
Phone: (401) 272-1730
Fax: (401) 273-7155
E-mail: rgbinfo@rgb.net
www.rgb.net
Architecture · Engineering · Interior Design

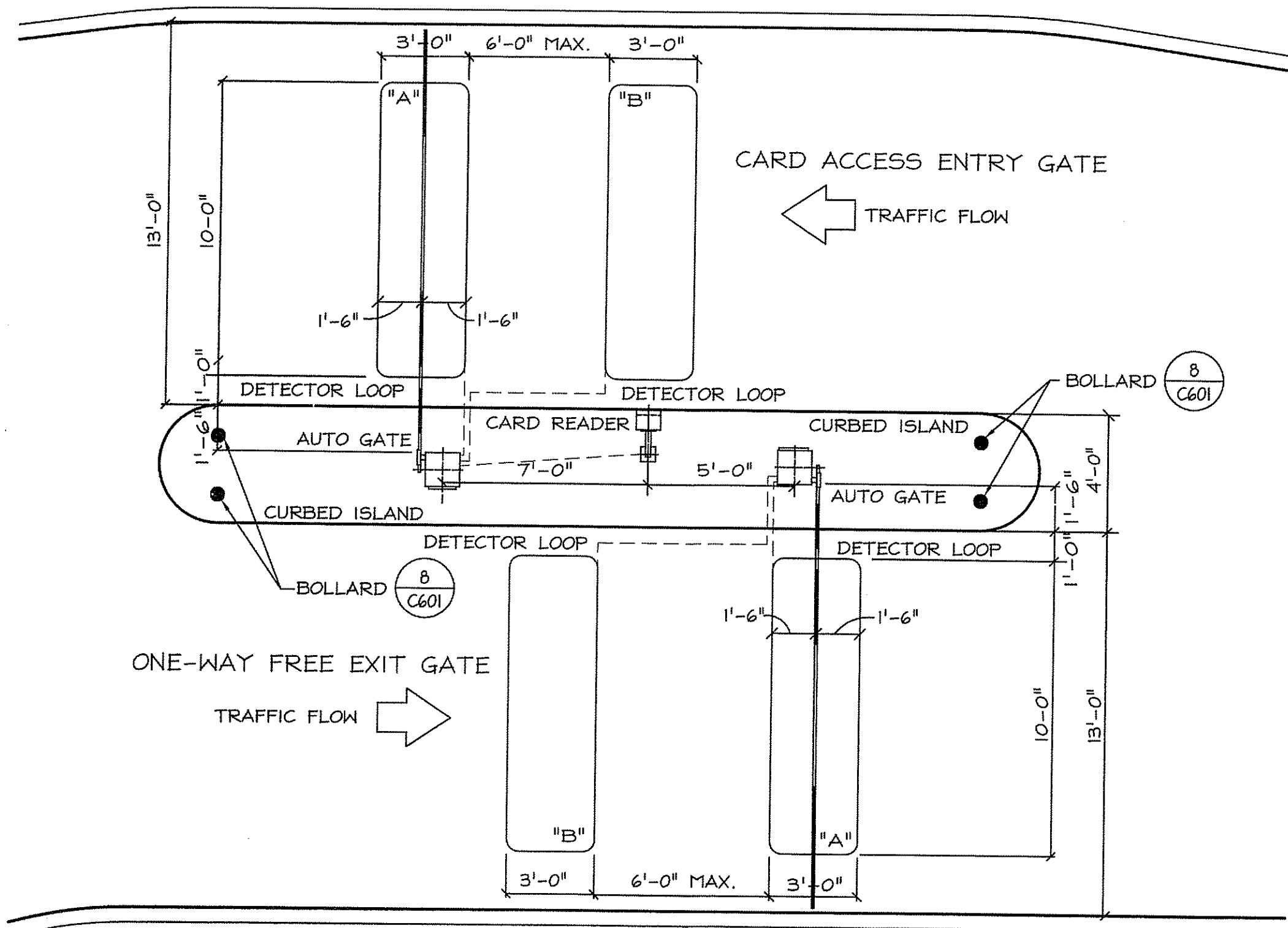
Project **RHODE ISLAND STATE POLICE NEW HEADQUARTERS**
&
RHODE ISLAND E9-1-1 NEW PRIMARY PUBLIC SAFETY ANSWERING POINT FACILITY

A.P. 32 LOT 34
NORTH SCITUATE, RHODE ISLAND

Drawing Status
FOR PERMITTING

Issued On 9/19/2008
Sheet Contents
DETAILS

Project Number. 5732
Drawing No. **C609**
Sheet 22 of 27



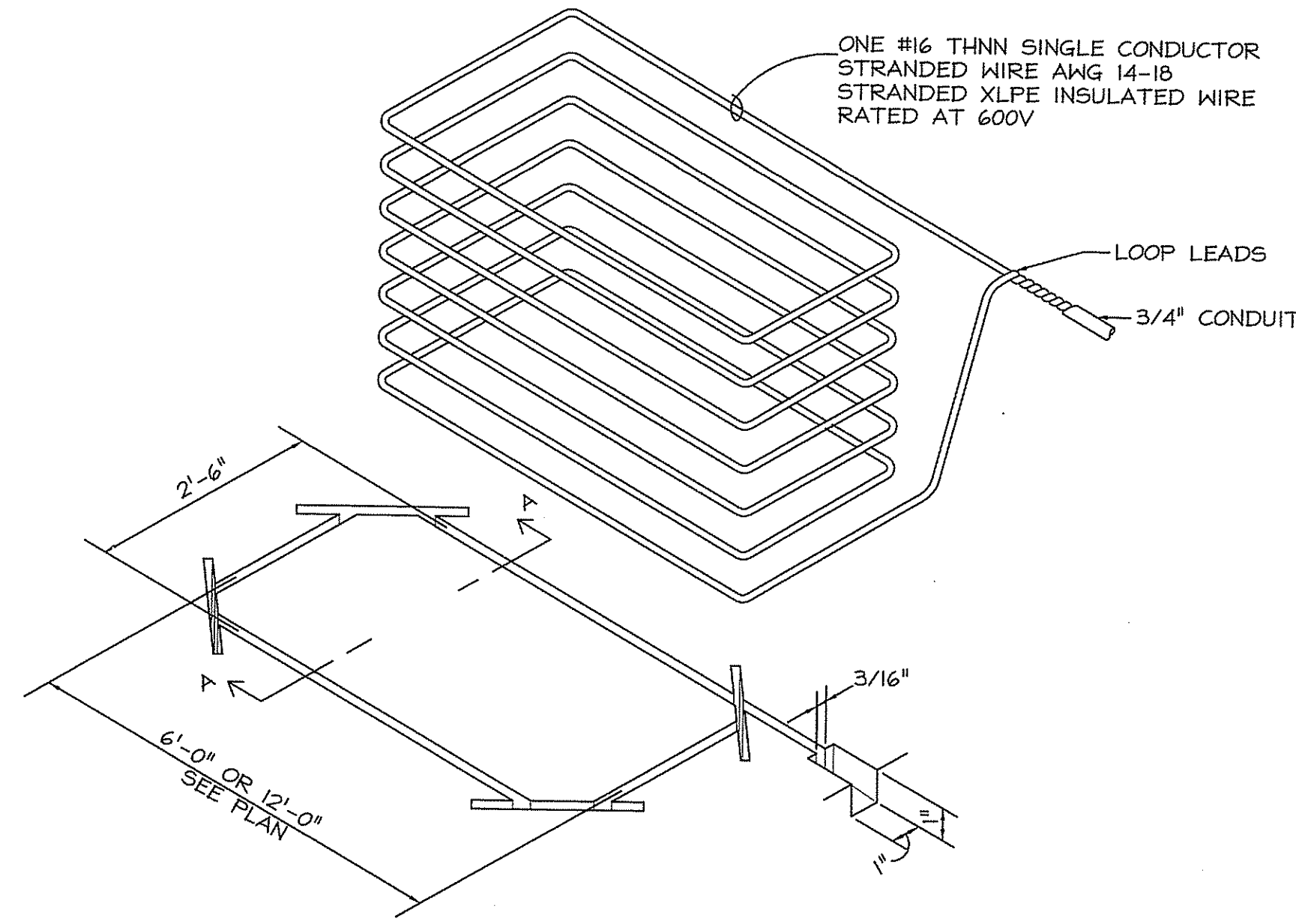
CAUTION
AUTOS ONLY
NO MOTORCYCLES, BICYCLES
OR PEDESTRIANS

** CAUTION ** CONTROL AND POWER RUNS MUST BE 18" MINIMUM AWAY FROM DETECTOR LOOPS.
POWER WIRES MUST BE 90 DEGREES C - 194 DEGREES F.
INSTALL PER MANUFACTURER'S WRITTEN INSTRUCTIONS.

ALL CONDUIT, INCLUDING LOOP LEAD IN, MUST STUB UP 2'-3" ABOVE EQUIPMENT MOUNTING SURFACE.
ALL DETECTOR LOOPS SHALL HAVE 7 TURNS PER FOOT UNLESS OTHERWISE NOTED AND SHALL NOT BE INSTALLED ACROSS LATERAL EXPANSION OR CONSTRUCTION JOINTS.

POWER CURRENT SPECIFICATIONS: THE POWER CIRCUIT WIRE GAUGE SHALL BE CAPABLE OF CONTINUOUSLY SUPPLYING THE SPECIFIED CURRENT AT THE LOCATION OF THE EQUIPMENT AND MAINTAIN 115VAC +OR- 3% AT LOAD.

1 CARD ACCESS ENTRY FREE OUT GATES
C610 NOT TO SCALE



PERSPECTIVE VIEW OF DETECTOR LOOP AND SAW SLOT

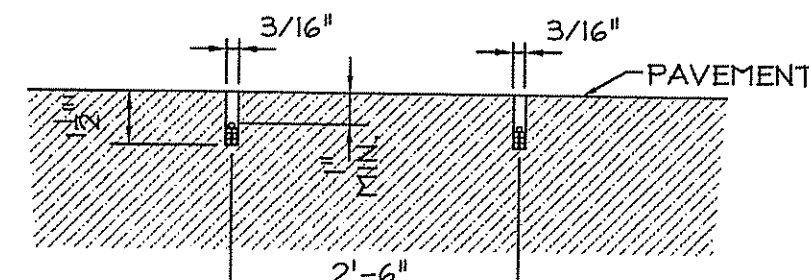
PLEASE REFER TO YOUR DETECTOR MANUAL FOR SPECIFIC APPLICATION INFORMATION RELATIVE TO YOUR SITE CONDITIONS.

TYPICAL LAYOUT FOR LOOP
SAW CUT 3/16 INCH WIDE BY 1 1/2 INCH DEEP. MAKE RECTANGULAR SHAPE TO SPECIFIED LOOP DIMENSIONS PLUS SLOT FOR LEAD CONDUIT. GROUT WITH NO. 202 WEATHERBAN SEALANT, A PRODUCT OF 3M CO. OR EQUIVALENT. (EX. NO. 99 BLACK MASTIC CAULK.)

CAUTION:
DO NOT SPLICE WIRE.
DO NOT FRACTURE WIRE INSTALLATION. LOOPS SHORTED TO THE GROUND WILL CAUSE DETECTOR MALFUNCTION. WHEN PLACING WIRE IN THE SLOT DO NOT USE A SCREWDRIIVER OR OTHER SHARP TOOL.

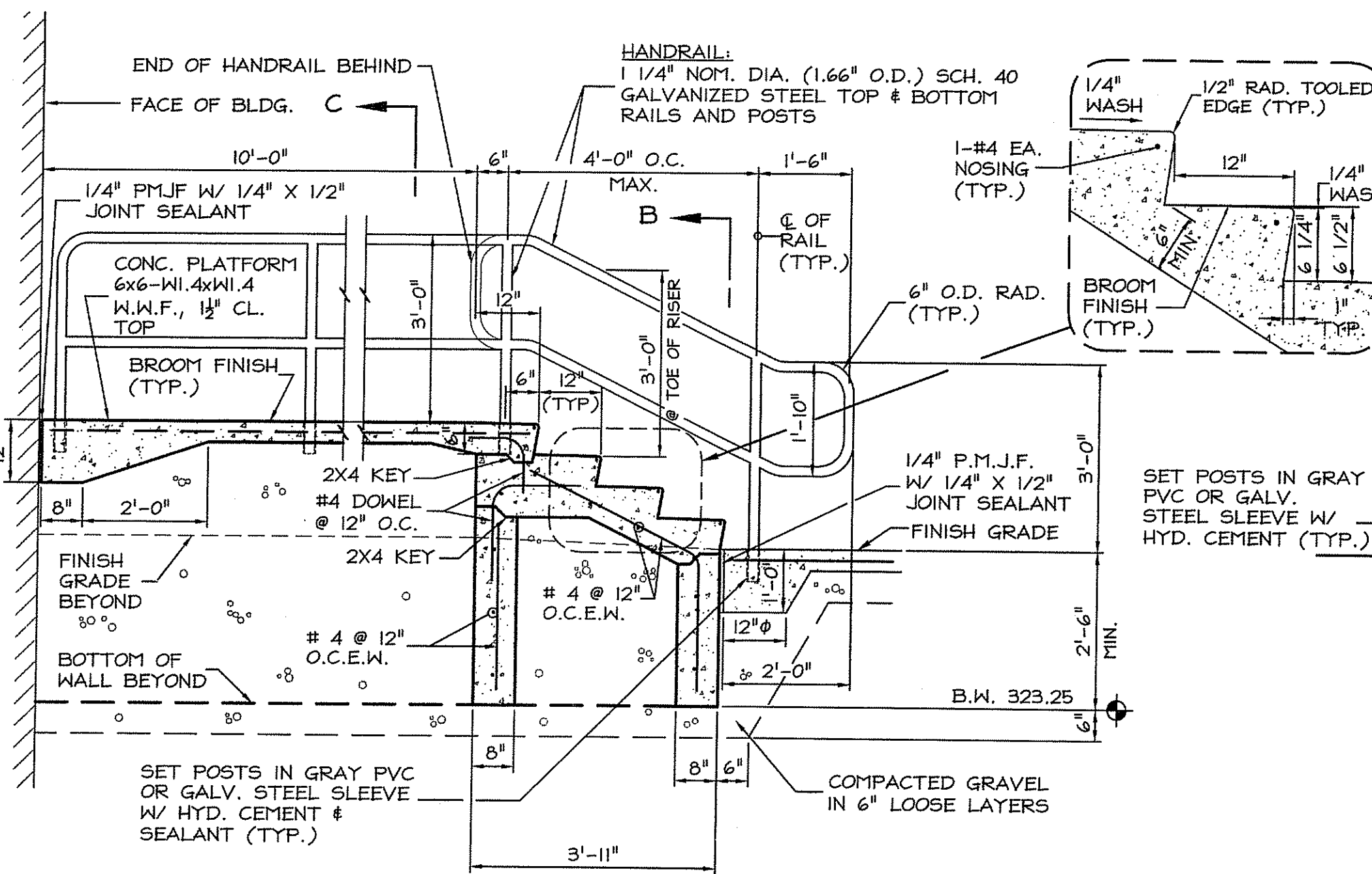
NOTES:

1. LOOP LEADS ARE GENERALLY LIMITED TO 100 FEET IN LENGTH.
2. LOOP LEAD-IN WIRES MUST BE TWISTED A MINIMUM OF 7 TURNS PER FOOT.
3. LOOP & LOOP LEADS MUST BE LOCATED AT LEAST 18" FROM ANY ELECTRICAL POWER SERVICE OR RUNS OR BE STEEL REINFORCED.
4. LOOP WIRE SHALL BE #16 THNN SINGLE CONDUCTOR STRANDED WIRE, AWG 14-18 STRANDED XLPE INSULATED WIRE RATED AT 600V.
5. LOOP LEADS MUST BE IN A SEPARATE CONDUIT BETWEEN LOOP AND DETECTOR. THEY MUST NOT SHARE CONDUIT WITH OTHER WIRING OR LEADS FROM OTHER LOOPS.
6. LOOP SHALL BE CONSTRUCTED FROM A SINGLE CONTINUOUS CONDUCTOR WITHOUT SPLICING.



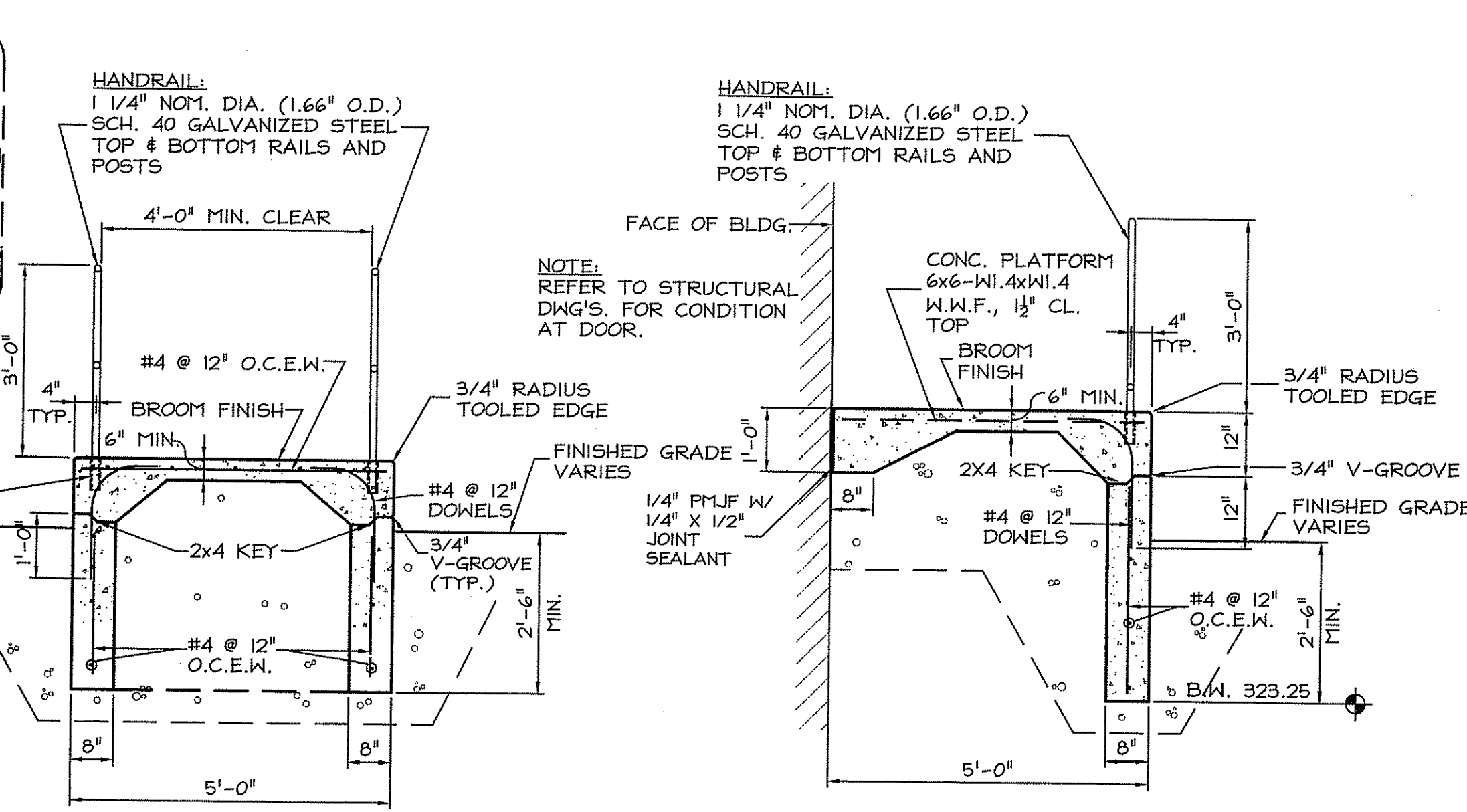
SECTION A-A

2 DETECTOR LOOP LAYOUT
C610 NOT TO SCALE



SECTION 'A-A'

NOTES:
1. PROVIDE 4 RISERS @ 6 1/4" WITH 1/4" WASH.
2. RAILING TO BE PAINTED PER SPECIFICATIONS.



SECTION 'B-B'

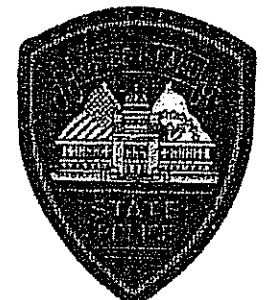
SECTION 'C-C'

3 CONCRETE STAIRS #2
C610 NOT TO SCALE

DEPARTMENT OF ENVIRONMENTAL MANAGEMENT
OFFICE OF WATER RESOURCES
FRESHWATER WETLANDS PROGRAM
REVIEWED SITE PLAN APPLICATION NO. 08-0208
DATED NOV - 7 2008
SEE LETTER OF SAME DATE.

Charles H. [Signature]

RHODE ISLAND STATE POLICE NEW HEADQUARTERS



A.P. 32 LOT 34
NORTH SITUATE, RHODE ISLAND

FOR PERMITTING

Issued On 9/19/2008

DETAILS

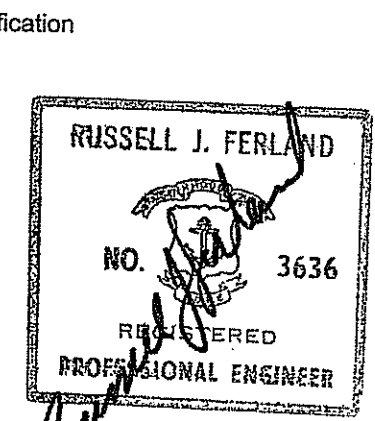
Project Number. 5732

Drawing No.

C610

Sheet 23 of 27

This drawing is copyrighted and is subject to copyright protection as an "architectural work" under 17 U.S.C. Sec. 101 et seq. The protection includes but is not limited to the overall form as well as the arrangement and composition of spaces, materials, color and elements in the design. Under such protection, unauthorized use of this drawing may result in the cessation of construction or building being subject to attorney's compensation being awarded to The Robinson Green Beretta Corporation (RGB).
Any reproduction, possession, or use of this drawing or any part thereof without the express written permission of RGB, is prohibited. Violators will be prosecuted to the full extent of the law.
© RGB 2008



9/19/08

Drawn by JND

Checked by RJF

Revised on

NOTICE of DOCUMENT SECURITY REQUIREMENTS

PROPERTY OF THE RHODE ISLAND STATE GOVERNMENT
COPYING, DISSEMINATION, OR DISTRIBUTION OF THESE DRAWINGS, PLANS OR SPECIFICATIONS TO UNAUTHORIZED PERSONS IS STRICTLY PROHIBITED.

DO NOT REMOVE THIS NOTICE!
Return Documents to Authorized Locations For Destruction as Delineated in Project Manual.
These documents shall not be reproduced without the exclusive written permission of the Owner under any circumstances. Authorization can be obtained from the Owner as defined in the project manual.

50 Holden Street
Providence, Rhode Island 02908

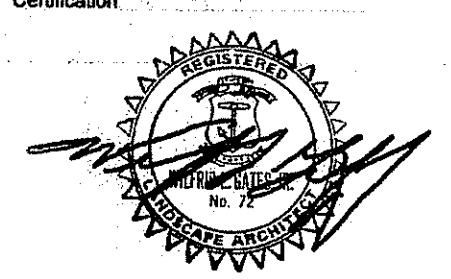
Phone: (401) 272-1730
Fax: (401) 273-7156
E-mail: rgbinfo@rgb.net
www.rgb.net



Architecture · Engineering · Interior Design

This drawing is copyrighted and is subject to copyright protection as an "architectural work" under 17 U.S.C. Sec. 101 et seq. The protection includes but is not limited to the overall form and arrangement of the composition of space, materials, color and elements in the work. Under such protection, reproduction in any form or by any means, including electronic, mechanical, photocopying, recording, or by any information storage and retrieval system, without the express written permission of RGB, is prohibited. Violators will be prosecuted to the full extent of the law.

© RGB 2008
 Certification



Drawn by EWR, NYD
 Checked by
 Revised on

NOTICE OF DOCUMENT SECURITY REQUIREMENTS

PROPERTY OF THE RHODE ISLAND STATE GOVERNMENT
 COPYING, DISSEMINATION, OR DISTRIBUTION OF THESE DRAWINGS, PLANS OR SPECIFICATIONS TO UNAUTHORIZED PERSONS IS STRICTLY PROHIBITED.

DO NOT REMOVE THIS NOTICE!
 Return Documents to Authorized Locations For Destruction as Delineated in Project Manual.

These documents shall not be reproduced without the exclusive written permission of the Owner under any circumstances. Authorization can be obtained from the Owner as defined in the project manual.

GLA
 Gates, Leighton & Associates, Inc.
 LANDSCAPE ARCHITECTURE

50 Holden Street
 Providence, Rhode Island 02906
 Phone: (401) 272-1700
 Fax: (401) 272-3700
 E-mail: gla@glainc.com
 www.gla.com

RHODE ISLAND STATE POLICE
 NEW HEADQUARTERS



RHODE ISLAND ES-1-1
 NEW PRIMARY
 PUBLIC SAFETY
 ANSWERING POINT
 FACILITY

9-1-1
 NORTH SCITUATE, RHODE ISLAND

Drawing Status
FOR CONSTRUCTION

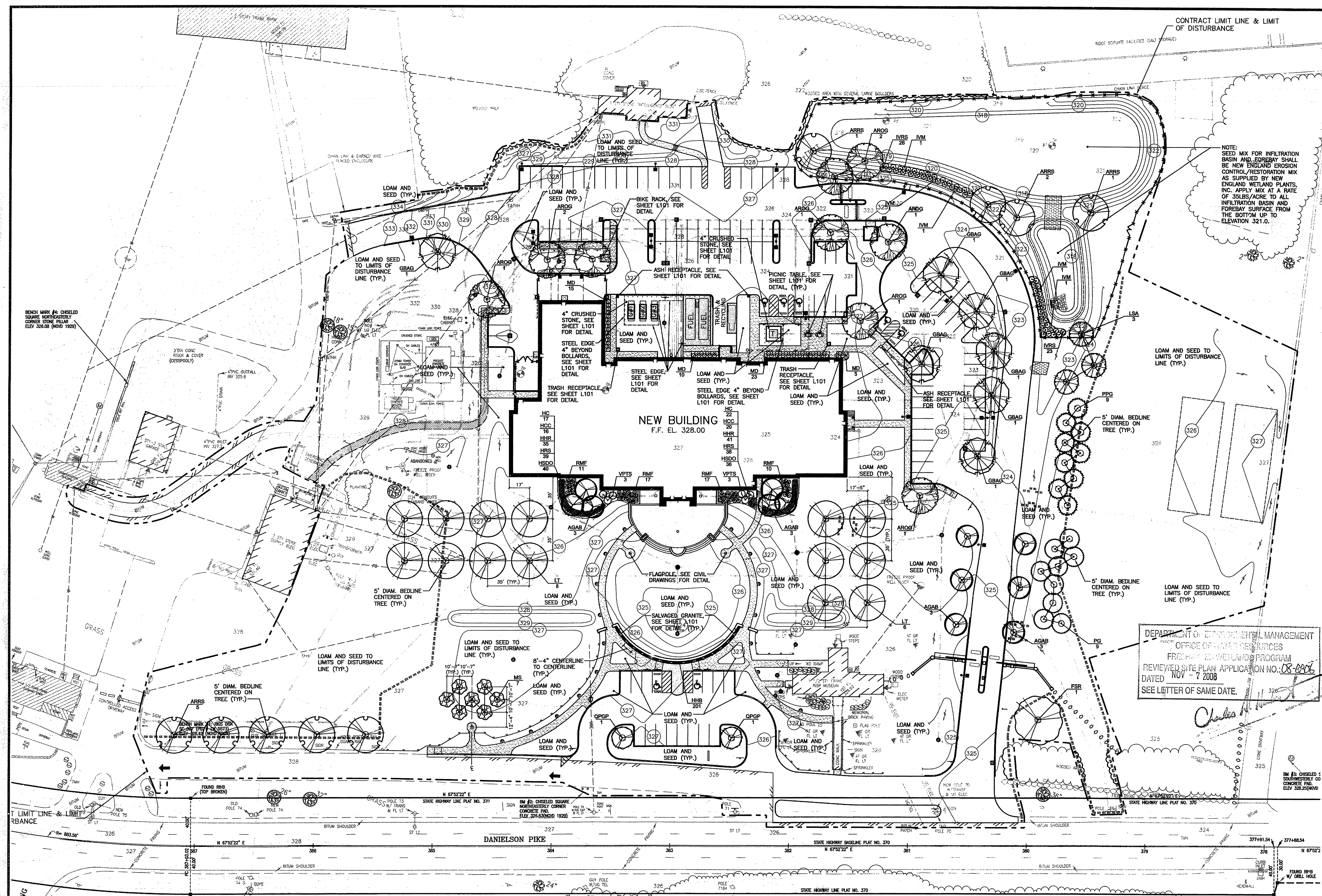
Issued On 9/19/2008
 Sheet Contents

LANDSCAPE PLAN

Project Number: P-961E
 Drawing No.

L100

Sheet 24 of 27



NOTES:
 SEED MIX FOR INFILTRATION BASIN AND FOREBAY SHALL BE NEW ENGLAND EROSION CONTROL/RESTORATION MIX AS SUPPLIED BY NEW ENGLAND WETLAND PLANTS, INC. APPLY MIX AT A RATE OF 35LBS/ACRE TO ALL INFILTRATION BASIN AND FOREBAY SURFACE FROM THE BOTTOM UP TO ELEVATION 321.0.

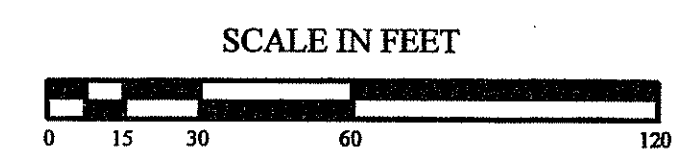
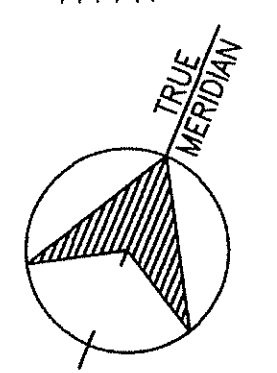
LOAM AND SEED TO LIMITS OF DISTURBANCE LINE (TYP.)

5' DIAM. BEDLINE CENTERED ON TREE (TYP.)

5' DIAM. BEDLINE CENTERED ON TREE (TYP.)

DEPARTMENT OF ENVIRONMENTAL MANAGEMENT
 OFFICE OF WATER RESOURCES
 FRESHWATER WETLANDS PROGRAM
 REVIEWED SITE PLAN APPLICATION NO. 08-0806
 DATED NOV - 7 2008
 SEE LETTER OF SAME DATE.

NOTE:
 ALL PLANTING BEDS AND INDIVIDUAL TREE PLANTINGS SHALL BE PREPARED WITH A LOAM/COMPOST (50%) MIX TO THE LIMITS OF THE BEDLINE.

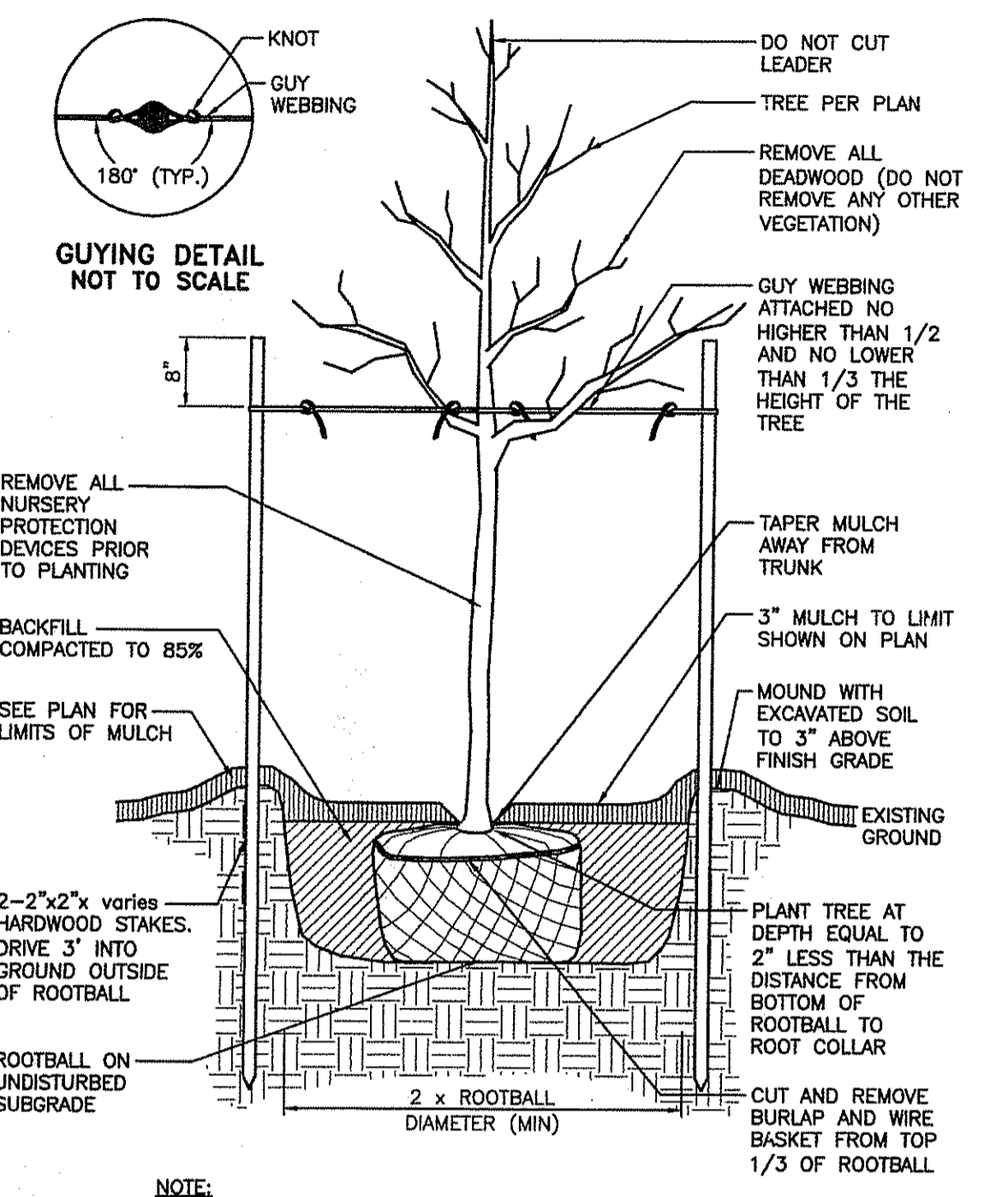


PLANT SCHEDULE

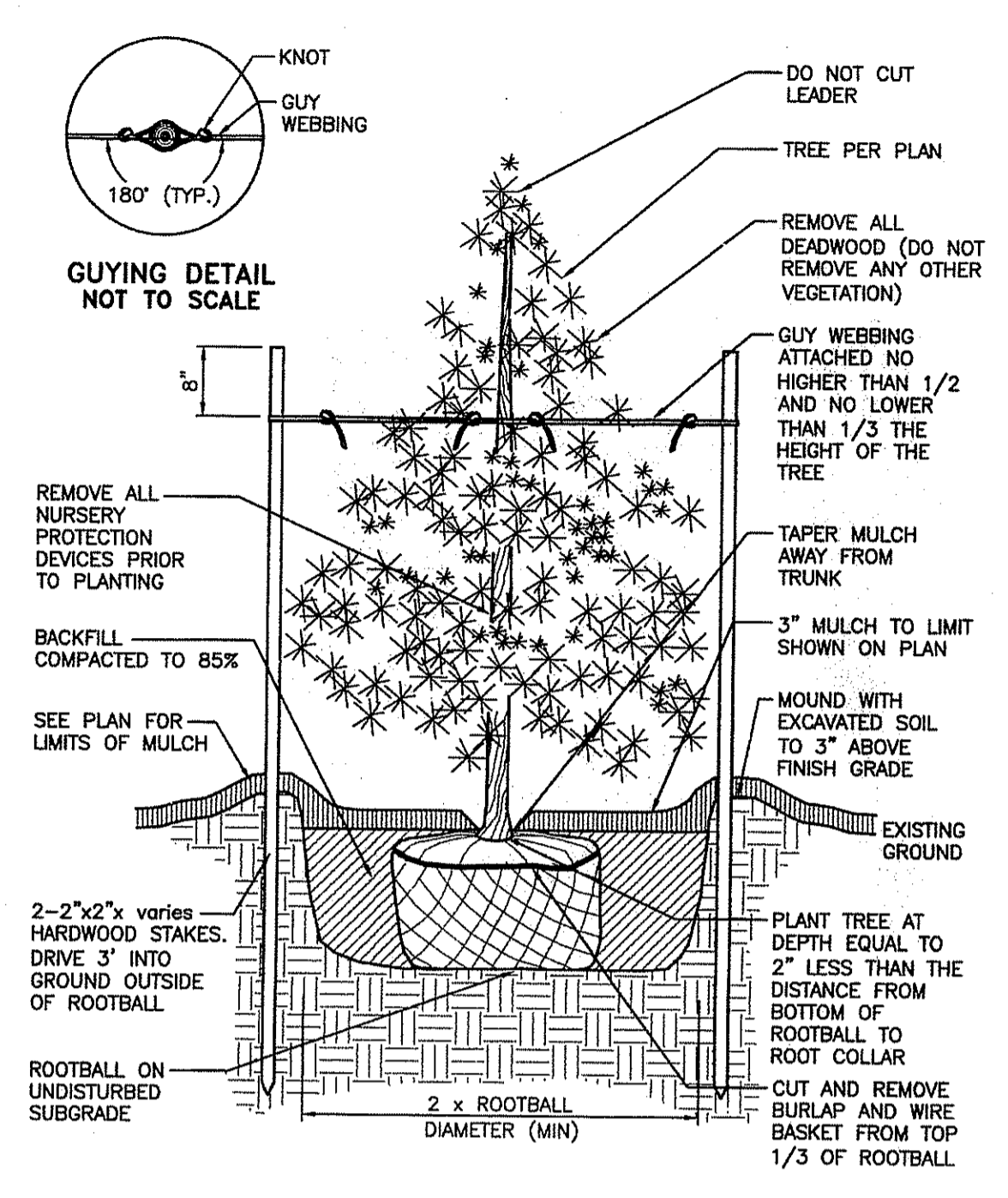
TREES	QTY	BOTANICAL	COMMON	SIZE	REMARKS
AROG	9	Acer rubrum 'October Glory'	'October Glory' Maple	2 - 2.5" Cal	B & B
ARRS	9	Acer rubrum 'Red Sunset'	Red Sunset Maple	2 - 2.5" Cal	B & B
AGAB	12	Amelanchier grandiflora 'Autumn Brilliance'	Autumn Brilliance Serviceberry	2 - 2.5" Cal	B & B
FSR	1	Fagus sylvatica 'Riviera'	Riviera Purple Beech	3.5-4" Cal.	B & B
GBAG	7	Ginkgo biloba 'Autumn Gold'	Autumn Gold Ginkgo	2.5-3" Cal.	B & B
LSA	3	Liquidambar styraciflua	Sweet Gum	2 - 2.5" Cal	B & B
LT	14	Liliodendron tulipifera	Tulip Tree	3 - 3.5" Cal	B & B
MS	7	Malus x 'Sentinel'	Sentinel Crabapple	2 - 2.5" Cal	B & B
PG	9	Picea glauca	White Spruce	5' - 6' Ht	B & B
PPG	9	Picea pungens glauca	Colorado Blue Spruce	6' - 7' Ht	B & B
QPGP	2	Quercus pallustris 'Green Pillar'	Green Pillar Oak	2.5-3" Cal.	B & B

SHRUBS	QTY	BOTANICAL	COMMON	SIZE	REMARKS
IVM	5	Ilex verticillata 'Male'	Male Winterberry	15" - 18"	Container
IVRS	49	Ilex verticillata 'Red Sprite'	Red Sprite Winterberry	24" - 30"	Container
MD	53	Microbiota decussata	Siberian Cypress	18" - 24"	Cont.
RMF	55	Rhododendron x 'Molly Fordham'	Molly Fordham Rhododendron	18" - 24"	Container
VPTS	6	Viburnum plicatum tomentosum 'Shasta'	Shasta Japanese Snowball	3' - 4"	B & B

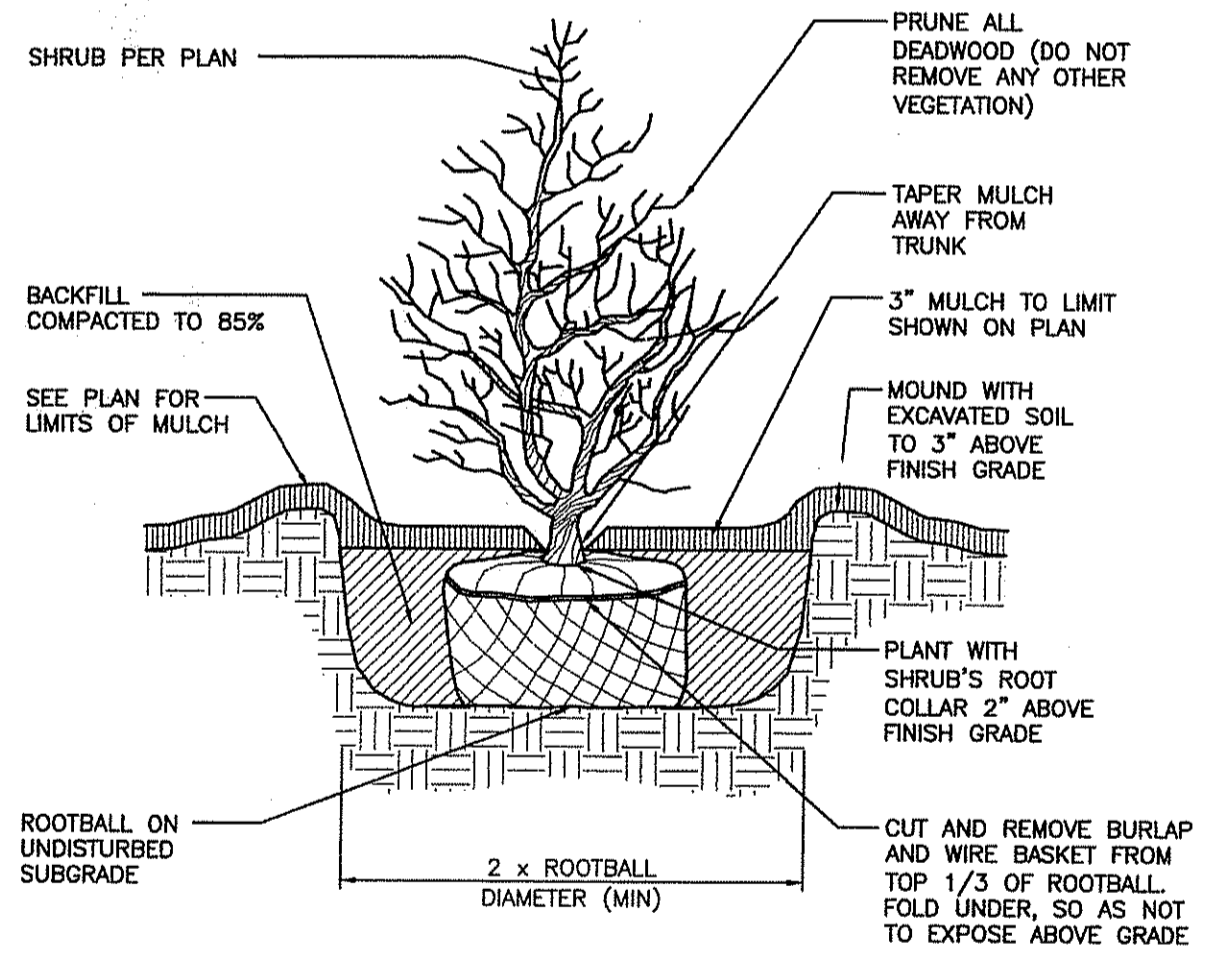
GROUND COVERS	QTY	BOTANICAL	COMMON	SIZE	REMARKS
HRB	201	Hedera helix 'Baltica'	Baltic Ivy	4" pot @ 12" oc	
HSDO	76	Hemerocallis 'Stella D'Oro'	Stella D'Oro Daylily	1 gal @ 18" oc	
HC	39	Hemerocallis x 'Celestial City'	Celestial City Daylily	1 gal @ 18" oc	
HCC	36	Hemerocallis x 'Cherry Cheeks'	Cherry Cheeks Daylily	1 gal @ 18" oc	
HHR	76	Hemerocallis x 'Happy Returns'	Happy Returns Daylily	1 gal @ 18" oc	
HRS	77	Hemerocallis x 'Ruby Stella'	Red Everblooming Daylily	1 gal @ 18" oc	



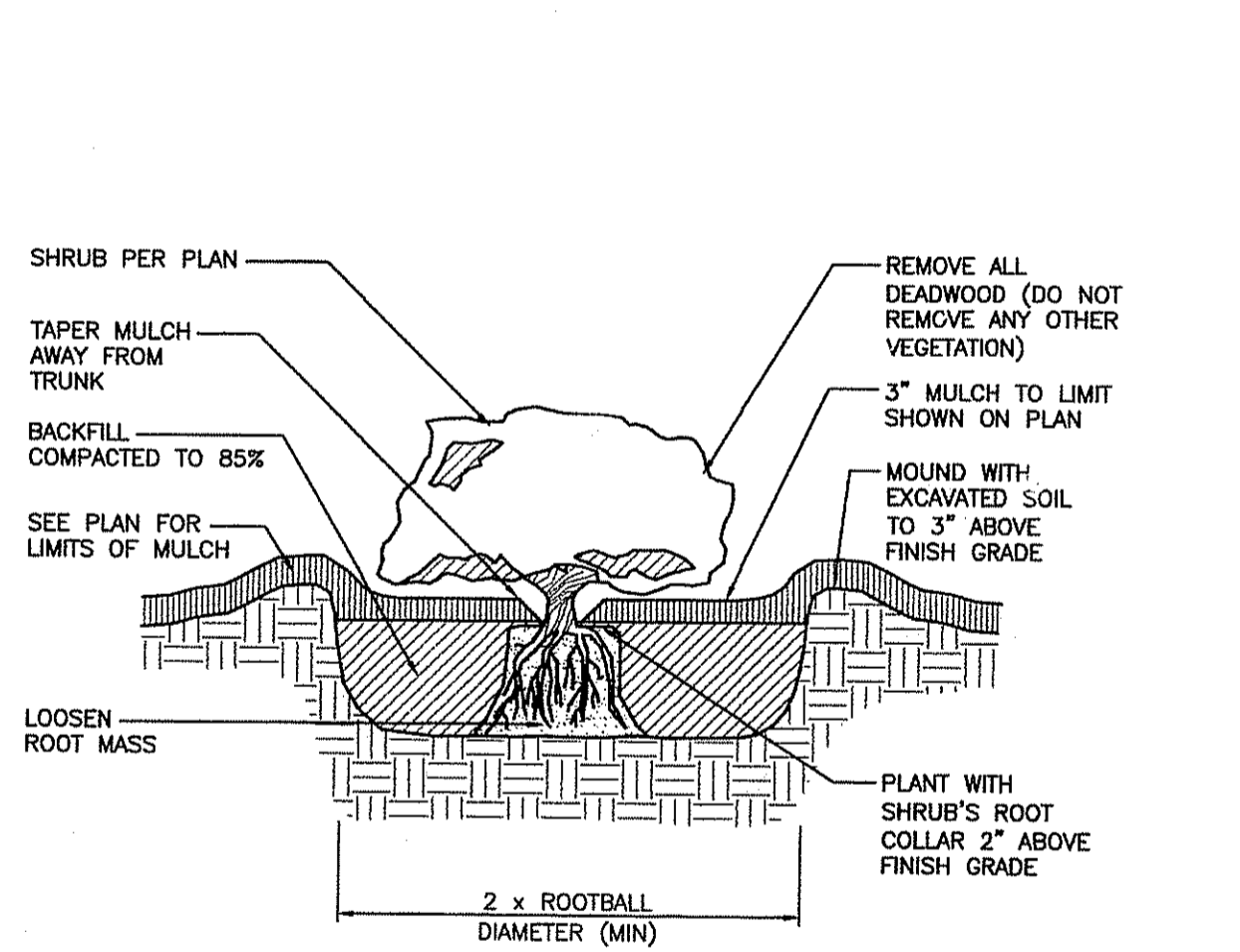
DECIDUOUS TREE STAKING AND PLANTING DETAIL NOT TO SCALE



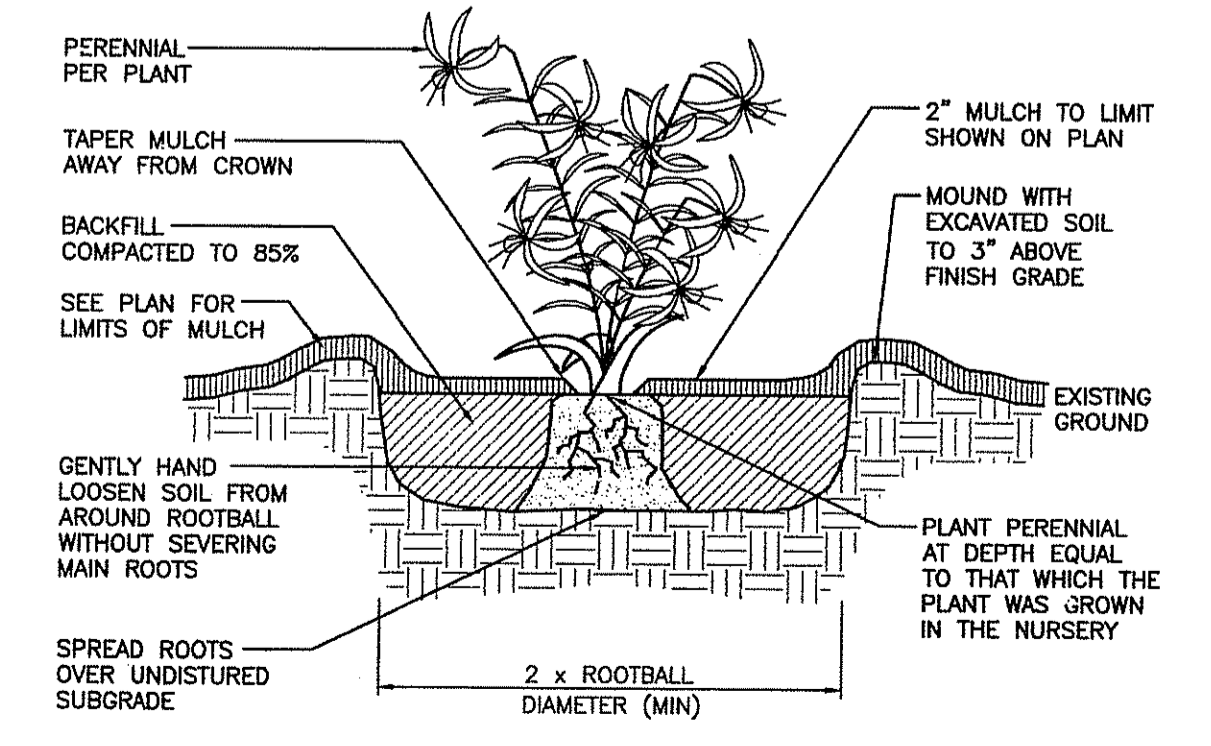
EVERGREEN TREE PLANTING DETAIL NOT TO SCALE



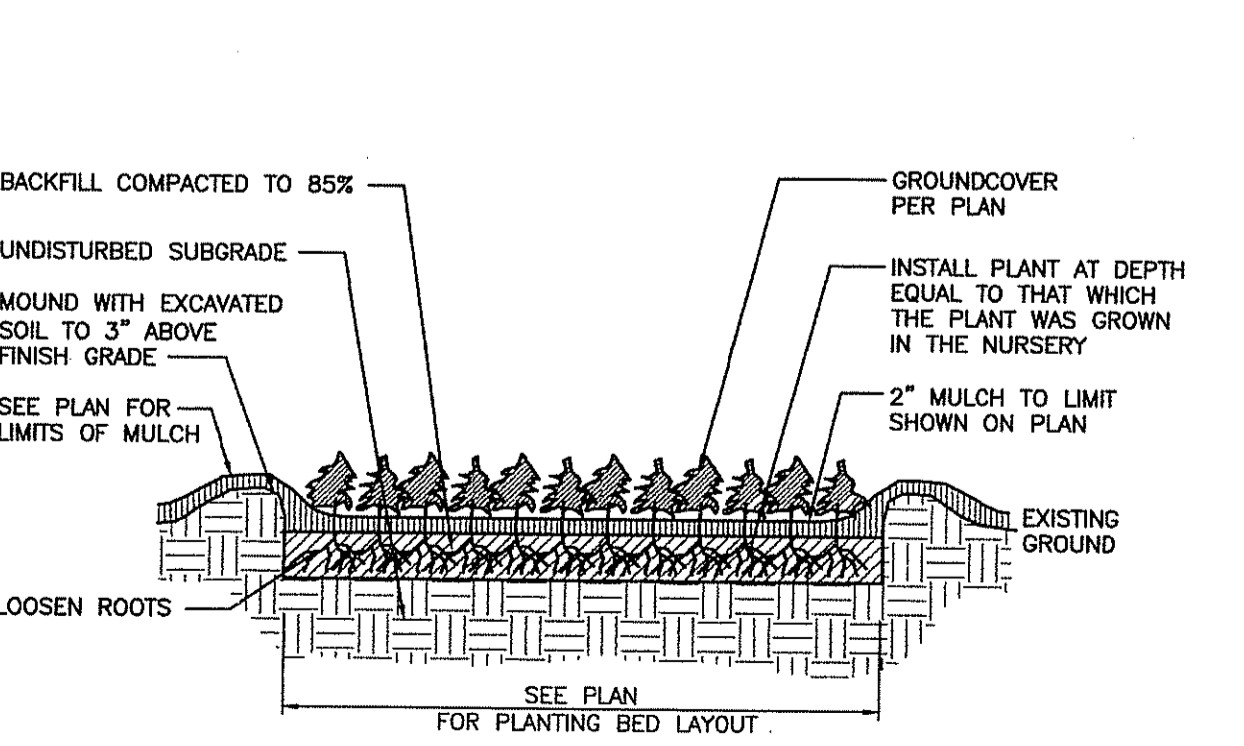
SHRUB PLANTING DETAIL NOT TO SCALE



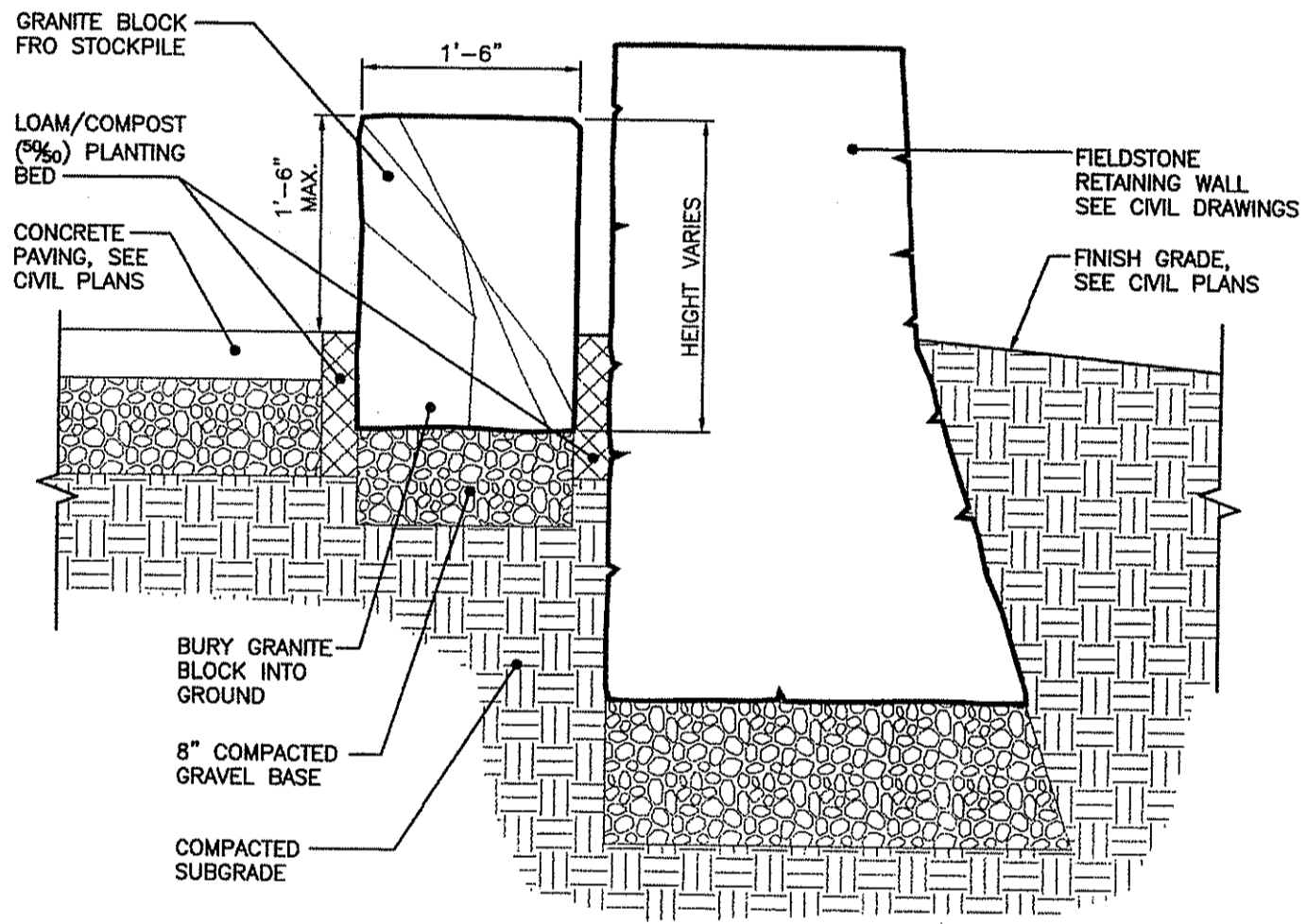
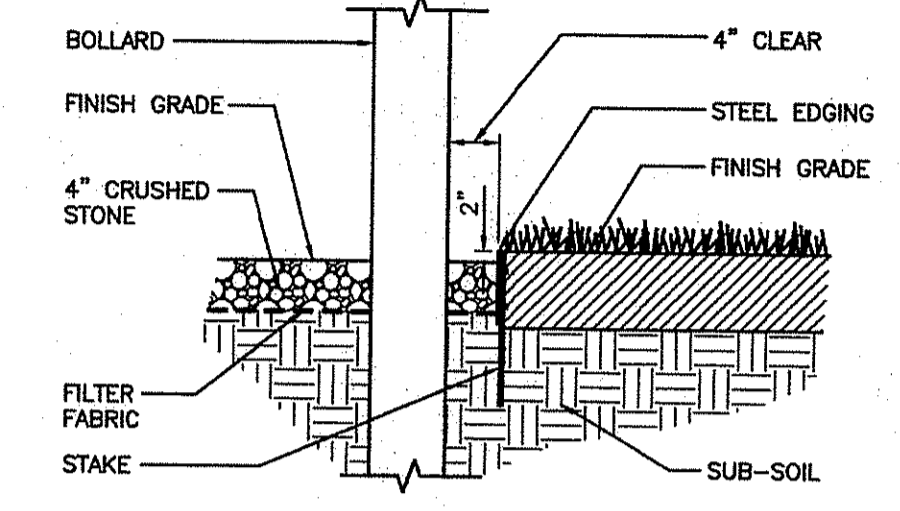
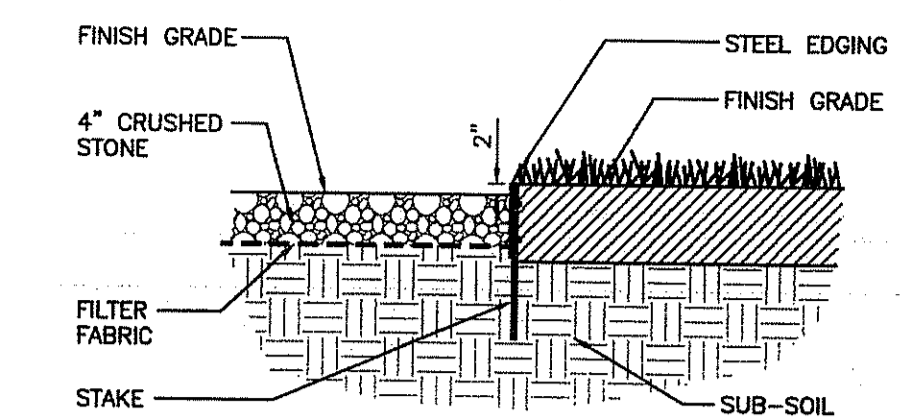
CONTAINER GROWN TREE AND SHRUB PLANTING DETAIL NOT TO SCALE



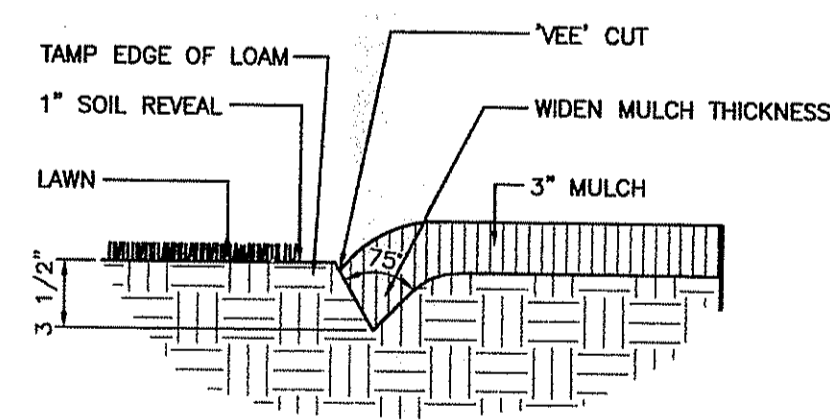
PERENNIAL PLANTING DETAIL NOT TO SCALE



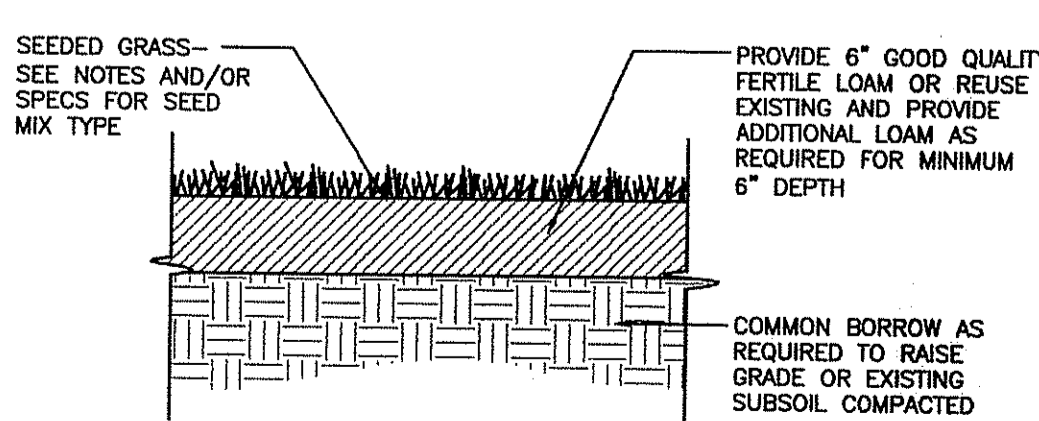
GROUNDCOVER PLANTING DETAIL NOT TO SCALE



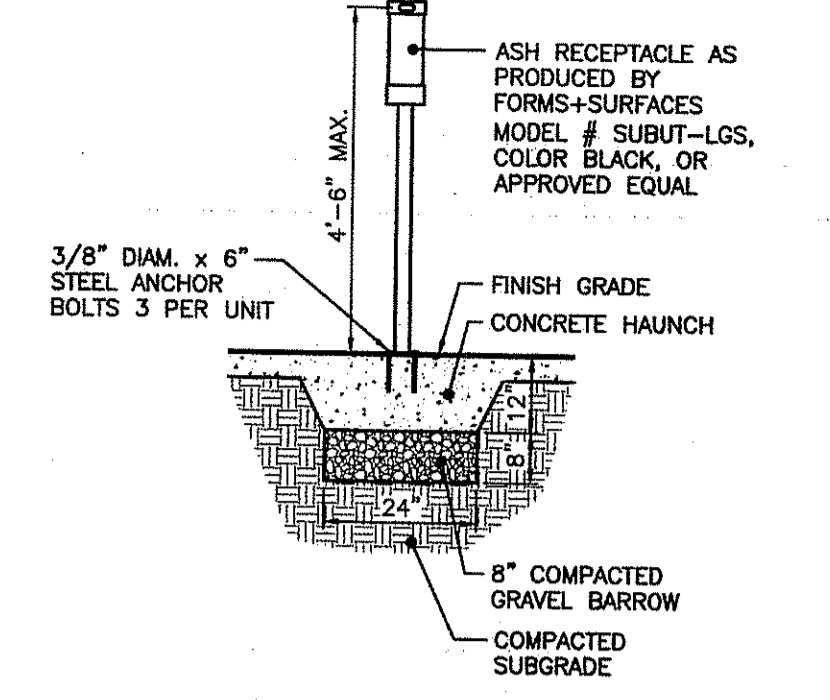
SALVAGED GRANITE DETAIL NOT TO SCALE



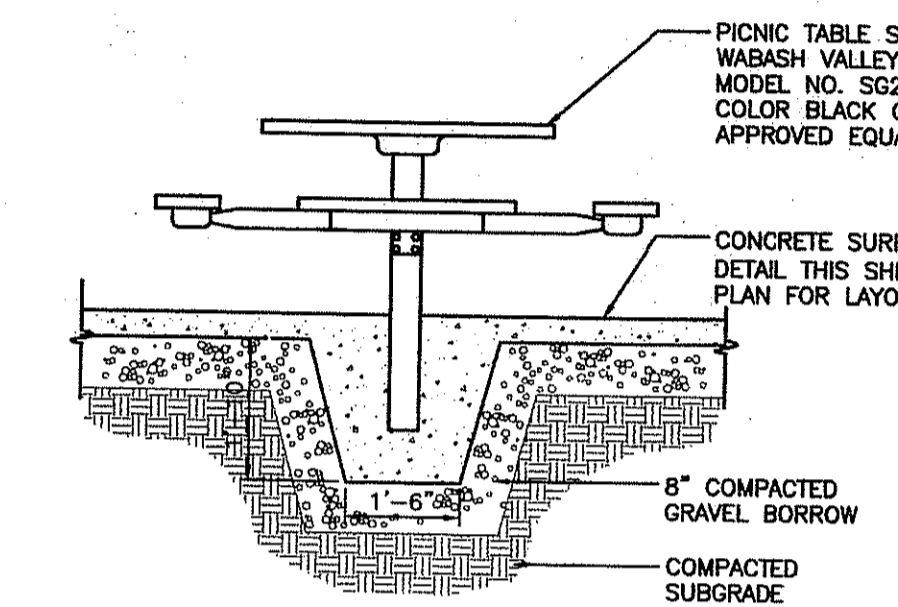
BEDLINE EDGE DETAIL NOT TO SCALE



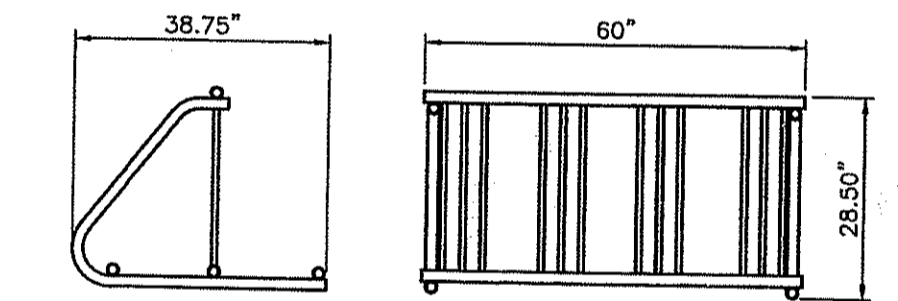
LOAM AND SEED DETAIL NOT TO SCALE



EXPANDED TRASH RECEPTACLE HAUNCH DETAIL NOT TO SCALE



PICNIC TABLE MOUNTING DETAIL NOT TO SCALE

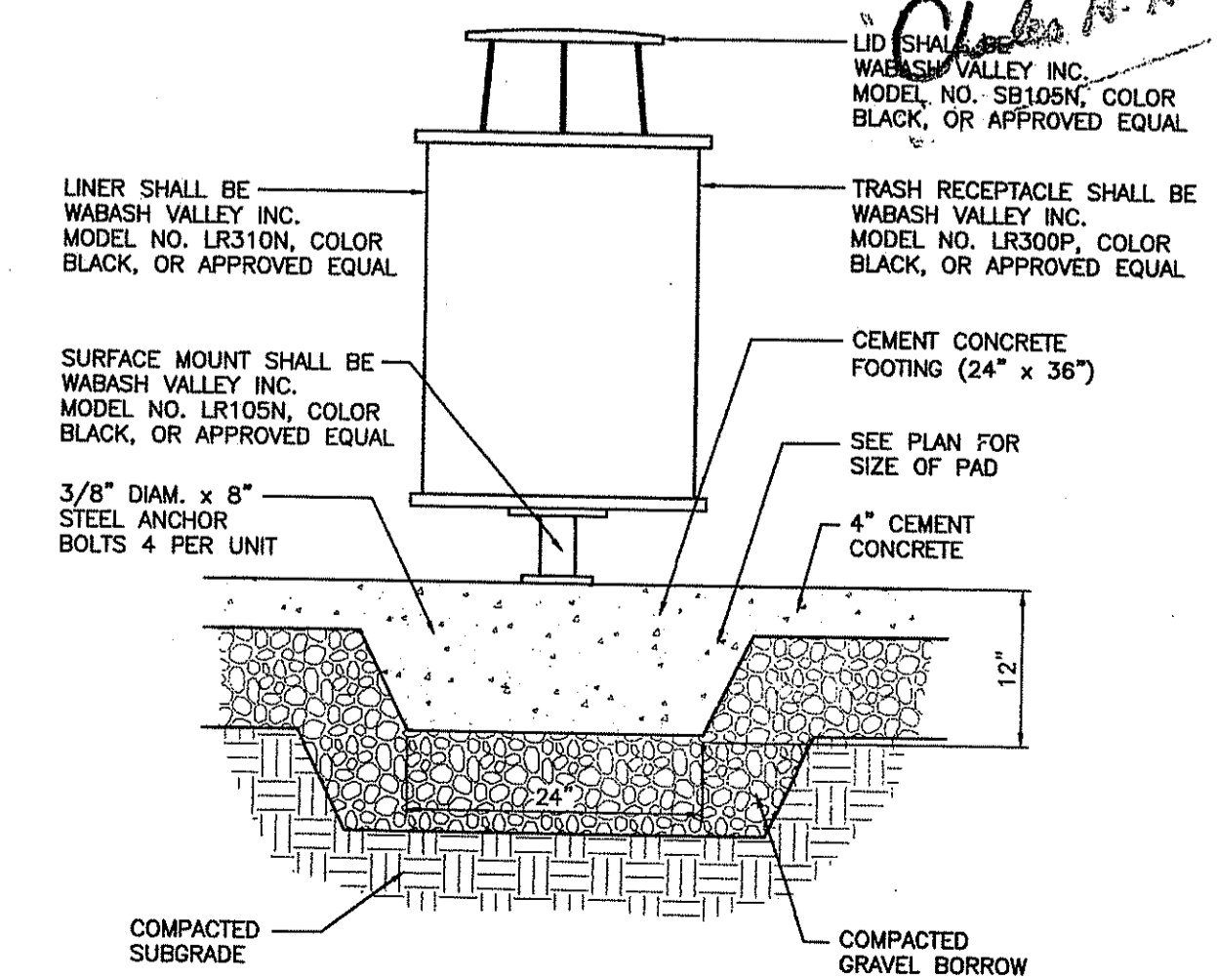


- NOTES:
- BIKE RACK SHALL BE MODEL #6203 AS PRODUCED BY SARIS CYCLING GROUP OR APPROVED EQUAL, COLOR BLACK.
 - BIKE RACK SHALL BE MOUNTED ON CONCRETE SLAB WITH MANUFACTURE'S MOUNTING KIT. MODEL #6257 OR APPROVED EQUAL. 2 KITS PER BIKE RACK.
 - INSTALLATION TO BE COMPLETED IN ACCORDANCE WITH MANUFACTURE'S SPECIFICATIONS.

BIKE RACK DETAIL NOT TO SCALE

DEPARTMENT OF ENVIRONMENTAL MANAGEMENT
OFFICE OF WATER RESOURCES
FRESHWATER WETLANDS PROGRAM
REVIEWED SITE PLAN APPLICATION NO. 08-038
DATED NOV - 7 2008
SEE LETTER OF SAME DATE

Handwritten signature and date



TRASH RECEPTACLE DETAIL NOT TO SCALE

This drawing is copyrighted and is subject to copyright protection as an "architectural work" under 17 U.S.C. Sec. 101 et seq. The protection includes but is not limited to the control over all of the preparation and reproduction of copies, materials, color and drawings in any form. Under such protection, unauthorized use of this drawing may result in the violation of copyright or other laws being subject to civil and criminal penalties. Any reproduction, transmission, or use of this drawing or any part thereof without the express written permission of RGB is prohibited. Violators will be prosecuted to the full extent of the law.

© RGB 2008

Certification



Drawn by EWR, NYD
Checked by
Revised on

NOTICE OF DOCUMENT SECURITY REQUIREMENTS

PROPERTY OF THE RHODE ISLAND STATE GOVERNMENT

COPYING, DISSEMINATION, OR DISTRIBUTION OF THESE DRAWINGS, PLANS OR SPECIFICATIONS TO UNAUTHORIZED PERSONS IS STRICTLY PROHIBITED.

DO NOT REMOVE THIS NOTICE!

Return Documents to Authorized Locations For Destruction as Delineated In Project Manual.

These documents shall not be reproduced without the exclusive written permission of the Owner under any circumstances. Authorization can be obtained from the Owner as defined in the project manual.

GLA
Gates, Leighton & Associates, Inc.
LANDSCAPE ARCHITECTURE

50 Holden Street
Providence, Rhode Island 02908
Phone: (401) 273-1720
Fax: (401) 273-1705
E-mail: gla@glanet.net
www.glanet.net

Architecture · Engineering · Interior Design

RHODE ISLAND STATE POLICE NEW HEADQUARTERS

RHODE ISLAND ES-1-1 NEW PRIMARY PUBLIC SAFETY ANSWERING POINT FACILITY

911
NORTH SCITUATE, RHODE ISLAND

For Construction

Issued On 9/18/2008
Sheet Contents
HARDSCAPE & LANDSCAPE DETAILS PLAN
SEP 26 2008
OFFICE OF ENVIRONMENTAL MANAGEMENT

Project Number: P-981E
Drawing No.

This drawing is copyrighted and is subject to copyright protection as an architectural work under Title 18, Chapter 151 of the Rhode Island General Laws. It is not to be reproduced, copied, or altered in any way without the express written permission of RGB, a professional corporation. Any reproduction, possession, or use of this drawing or any part thereof without the express written permission of RGB, is prohibited. Violators will be prosecuted to the full extent of the law.

© RGB 2008



Drawn by: EWR, NYD
 Checked by: JAH
 Revised on:

- ELEVATION NOTES:**
- NOT ALL EXTERIOR WALL PENETRATIONS MAY BE SHOWN. RE: PLUMBING, MECH., ELECT. DWGS.
 - NOT ALL WALL ELEVATIONS MAY BE SHOWN. RE: PLANS AND SECTIONS FOR REQUIRED WORK. MATERIALS AND TEXTURES ARE CONTINUOUS IN AREAS WHERE WALL MAY BE CONCEALED BY OTHER BUILDING PROJECTIONS.
 - SUBMIT SAMPLES OF ALL EXTERIOR FINISH MATERIALS IN A TROCKUP FOR REVIEW & APPROVAL PRIOR TO FABRICATING/CONSTRUCTION, TYP.
 - FINISH GRADES SHOWN ARE APPROXIMATE. CONTRACTOR TO REVIEW & COORDINATE W/SITE GRADING PLAN.
 ARCH ELEV. 100'-0" = CIVIL ELEV. 328'-0"
 - PAINT ALL EXPOSED EXTERIOR GALV. STEEL LINTELS TO MATCH ADJACENT EXTERIOR FINISH COLOR, U.N.O.
 - PROVIDE PREFINISHED BACK PLATE @ ALL METAL FASCIA & TRIM JOINTS. BACK PLATE TO BE 4" MIN. WIDTH.
 - SEALANT/CAULKING COLORS TO MATCH ADJACENT FINISH LISTED IN REQUIRED PRIORITY.
 A. SEALANT COLOR @ WINDOWS, STOREFRONT, CURTAIN WALL TO MATCH FRAME COLOR.
 B. SEALANT COLOR @ HOLLOW METAL FRAME TO MATCH FRAME COLOR.
 C. SEALANT COLOR @ BRICK TO MATCH BRICK MORTAR COLOR.
 D. SEALANT COLOR @ SYNTHETIC STONE TO MATCH STONE MORTAR COLOR.
 E. SEALANT COLOR @ METAL PANEL & BRICK TO MATCH METAL PANEL.
 SAMPLES ARE REQUIRED IN ACTUAL CONSTRUCTION ASSEMBLY FOR FINAL APPROVAL. MIN. LENGTH OF SAMPLE SHALL BE 12"
 - FOR WORK NOTES RE: ENLARGED DRAWINGS, A202 & A205
 - FOR EXTERIOR MATERIAL AND COLOR SCHEDULE RE: A202 - A205A
 - PROVIDE MASONRY EXPANSION CONTROL JOINT (M.C.J.) @ ALL INSIDE CORNERS U.N.O. WHERE SHOWN 1/4" OR NOT TO EXCEED 24" O.C. MAX.
 - CONTRACTOR TO PROVIDE SOLID BRICK UNIT AT ALL LOCATIONS NECESSARY TO AVOID ANY VISUAL EXPOSURE TO BRICK HOLES/VOIDS.
 - CONTRACTOR IS RESPONSIBLE FOR THE COORDINATION OF DETAILS IMPACTED BY ACCEPTANCE OR DELETION OF ALTERNATES TO ASSURE ALL SYSTEMS AND MISC. MATERIALS HAVE BEEN ACCOUNTED FOR.

NOTICE OF DOCUMENT SECURITY REQUIREMENTS

PROPERTY OF THE RHODE ISLAND STATE GOVERNMENT

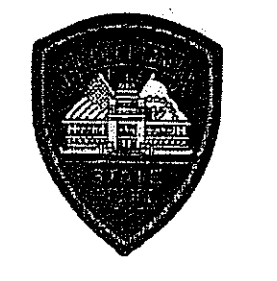
COPYING, DISSEMINATION, OR DISTRIBUTION OF THESE DRAWINGS, PLANS OR SPECIFICATIONS TO UNAUTHORIZED PERSONS IS STRICTLY PROHIBITED.

DO NOT REMOVE THIS NOTICE
 Return Documents to Authorized Locations For Destruction as Delineated in Project Manual.

These documents shall not be reproduced without the exclusive written permission of the Owner under any circumstances. Authorization can be obtained from the Owner as defined in the project manual.

50 Holden Street
 Providence, Rhode Island 02908
 Phone: (401) 272-1130
 Fax: (401) 273-1156
 E-mail: rgbinfo@rgb.net
 www.rgb.net

Architecture • Engineering • Interior Design
 Project: RHODE ISLAND STATE POLICE NEW HEADQUARTERS



&
 RHODE ISLAND E9-1-1
 NEW PRIMARY PUBLIC SAFETY ANSWERING POINT FACILITY

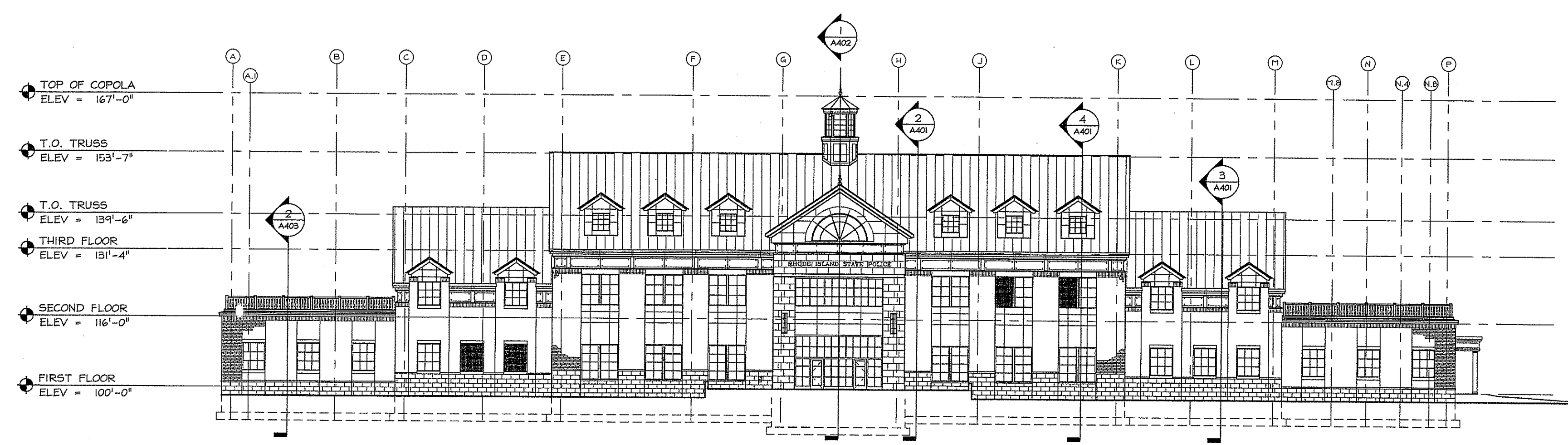


NORTH SCITUATE, RHODE ISLAND

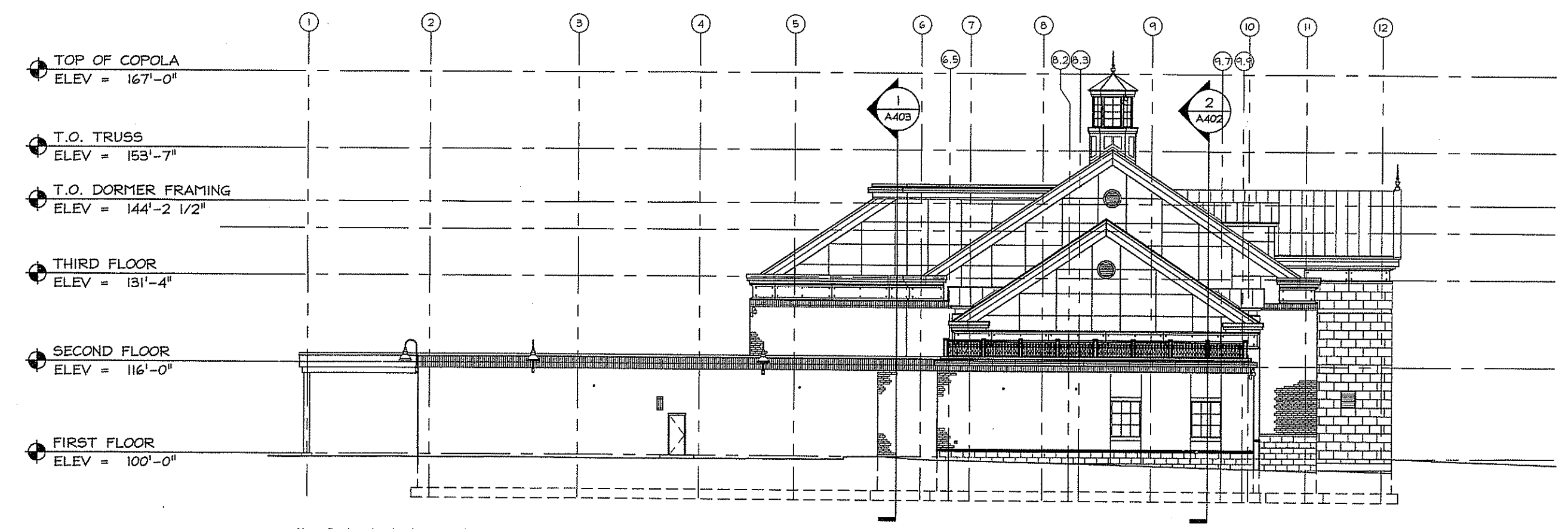
Drawing Status: CONSTRUCTION

Issued On: 9/18/2008
 Street Contents: EXTERIOR BUILDING ELEVATIONS BASE BID

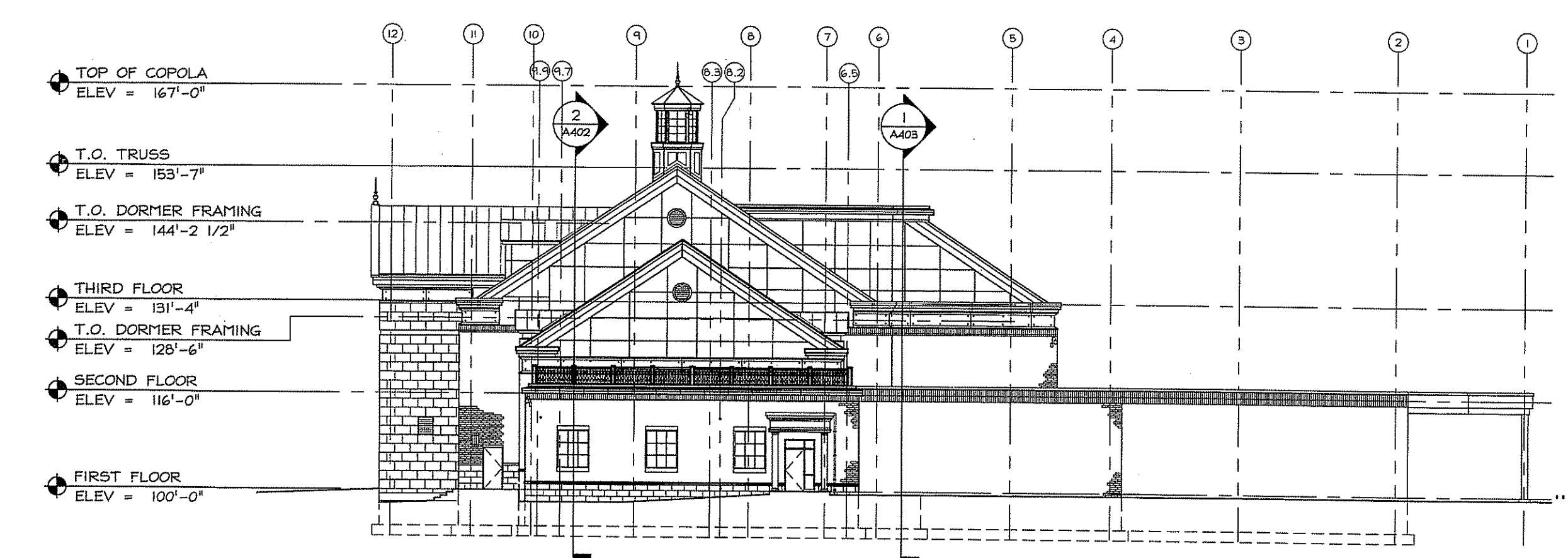
Project Number: 5732
 Drawing No. A201



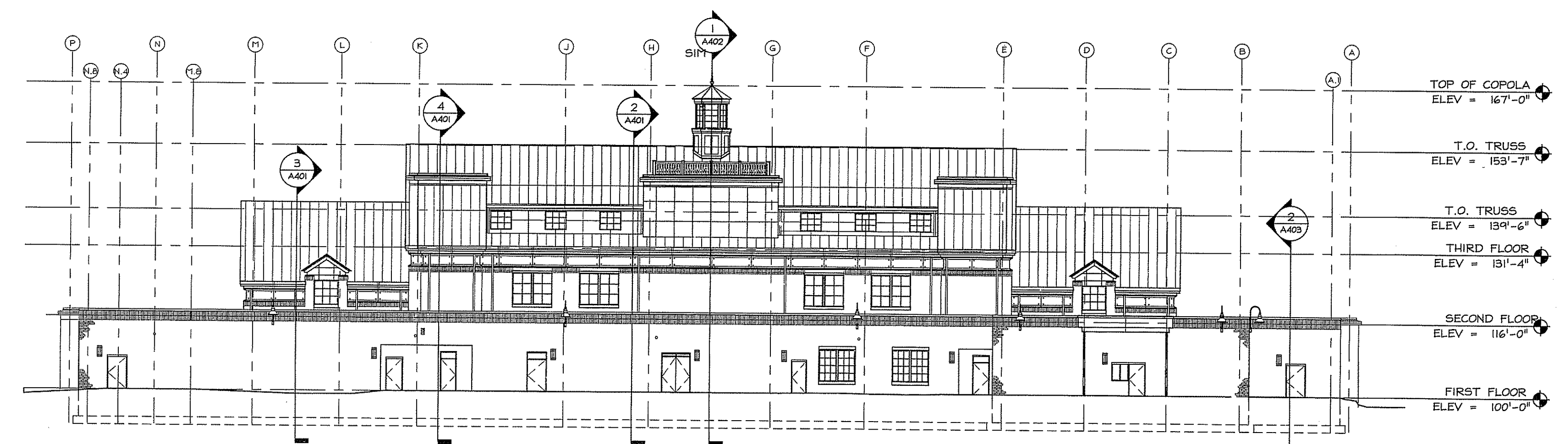
1 SOUTH ELEVATION
 A201



2 WEST ELEVATION
 A201



3 EAST ELEVATION
 A201



4 NORTH ELEVATION
 A201

DEPARTMENT OF ENVIRONMENTAL MANAGEMENT
 OFFICE OF WATER RESOURCES
 FRESH WATER WETLANDS PROGRAM
 REVIEWED SITE PLAN APPLICATION NO. 08-036
 DATED NOV - 7 2008
 SEE LETTER OF SAME DATE.

Charles A. [Signature]

