

**ISDS NOTES:**

- ALL OTHER DESIGN, CONSTRUCTION AND MAINTENANCE REQUIREMENTS, WHETHER NOTED HEREON, OR NOT, SHALL BE IN CONFORMANCE WITH, RULES AND REGULATIONS ESTABLISHING MINIMUM STANDARDS RELATING TO LOCATION, DESIGN, CONSTRUCTION AND MAINTENANCE OF INDIVIDUAL SEWAGE DISPOSAL SYSTEMS, JANUARY, 2002 BY THE R.I. DEPARTMENT OF ENVIRONMENTAL MANAGEMENT, AUTHORITY: CHAPTER 42-35 PURSUANT TO CHAPTERS 42-17.1, 23-19.5 AND 5-56.1 OF THE RHODE ISLAND GENERAL LAWS OF 1956, AS AMENDED. (ISDS REGULATIONS)
- COMPLY WITH ANY ADDITIONAL TERMS OF APPROVAL AS MAY BE REQUIRED BY R.I.D.E.M.
- ONLY A R.I.D.E.M. BOTTOMLESS SAND FILTER TRAINED INSTALLER SHALL BE ENGAGED TO INSTALL THIS ISDS.
- PRIOR TO THE START OF CONSTRUCTION, THE DESIGNER SHALL STAKE OUT AND PROTECT THE PROPOSED BOTTOMLESS SAND FILTER (BSF) LOCATION.
- CLEAR ALL TREES, STUMPS AND BRUSH WITHIN 10 FEET OF THE BSF. THIS BUFFER AREA SHALL REMAIN FREE OF ANY FUTURE TREES OR SHRUBS UNLESS APPROVED BY R.I.D.E.M.
- MAINTAIN MINIMUM LAND SURFACE ELEVATION 202.0 FOR 5' AROUND THE BSF.
- ALL NON-PRESSURE PIPING AND FITTINGS SHALL BE SCH 40 PVC, UNLESS OTHERWISE NOTED.
- ALL PRESSURE PIPING SHALL BE A MINIMUM CLASS 200 PVC, UNLESS OTHERWISE NOTED.
- THERE SHALL BE NO SUBSURFACE, FOUNDATION, OR STORM DRAINS WITHIN 25 FEET OF THE PROPOSED ISDS.
- NO LOAM OR VEGETATIVE PLANTINGS SHALL BE PLACED OVER THE TOP LAYER OF PEA GRAVEL-SURFACE OF THE BSF.
- DIRECT STORMWATER AWAY FROM BSF.
- KEEP HEAVY EQUIPMENT AND IMPERMEABLE MATERIALS OFF BSF SURFACE.
- THERE ARE NO OTHER KNOWN PUBLIC WELLS, EXISTING OR PROPOSED, WITHIN 500 FEET OF THE PROPOSED ISDS (OR ALTERNATE AREA) OTHER THAN THOSE SHOWN.
- THERE ARE NO OTHER KNOWN WELLS, EXISTING OR PROPOSED, WITHIN 200 FEET OF THE PROPOSED ISDS (OR ALTERNATE AREA) NOR ARE THERE ANY OTHER I.S.D.S.'S, EXISTING OR PROPOSED, WITHIN 100 FEET OF THE PROPOSED WELL, EXCEPT AS NOTED.

**EXCAVATION NOTES:**

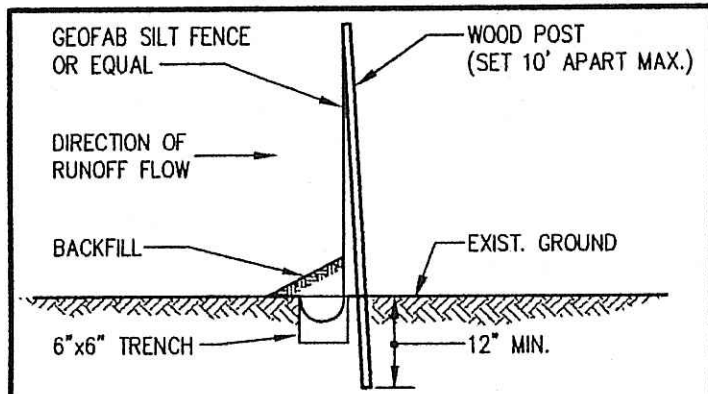
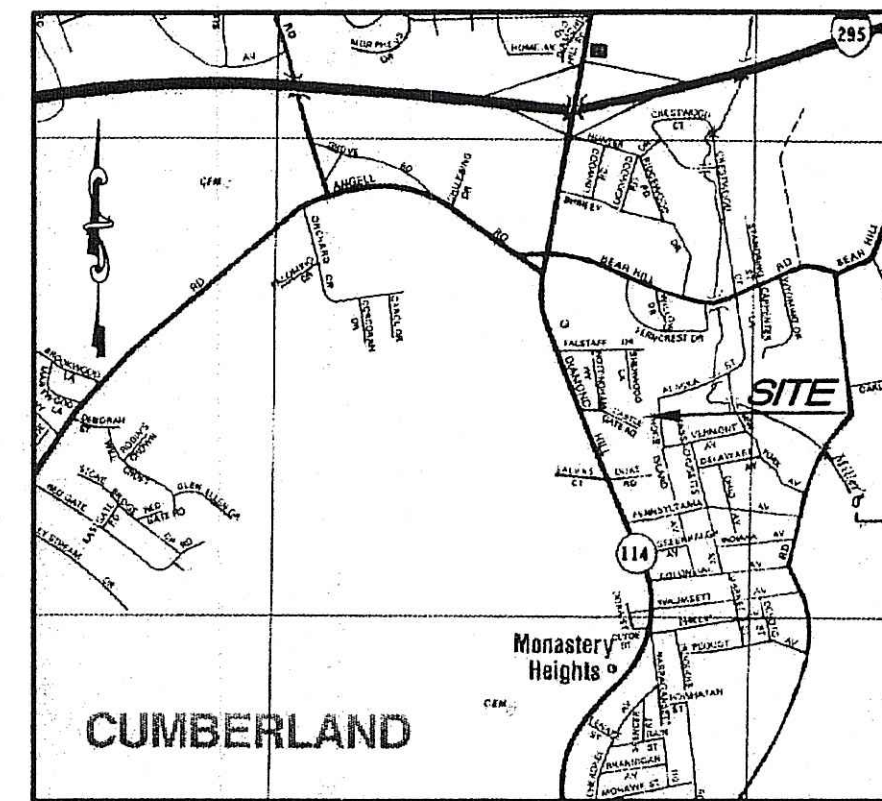
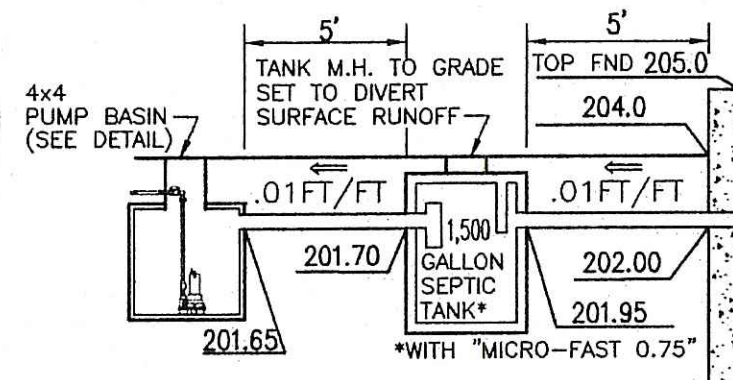
- SOD, VEGETATION OR DEAD/DECAYING ORGANIC LITTER SHALL BE REMOVED FROM THE AREA PLANNED FOR THE BOTTOMLESS SAND FILTER INSTALLATION. THREE (3) INCHES OF THE NATIVE SOIL MATERIAL SHALL BE SCARIFIED AND MIXED WITH THREE (3) INCHES OF THE SAND MEDIA.
- THE SAND MEDIA SHALL BE PLACED IN LEVEL, 8" LIFTS WITHIN THE BOTTOMLESS SAND FILTER AND "WETTED" SLIGHTLY DURING INSTALLATION.
- CONSERVATION SEED SHALL BE PLACED IN THE AREA OF TEMPORARY DISTURBANCE FOLLOWING CONSTRUCTION IN ORDER TO ALLOW THE AREAS TO RE-VEGETATE NATURALLY.

**ISDS CONFORMANCE NOTE:**

PRIOR TO RECEIVING A CERTIFICATE OF CONFORMANCE, THE HOMEOWNER SHALL FILE A COPY OF THE APPROVED ISDS PERMIT, OPERATION AND MAINTENANCE AGREEMENT AND MONITORING SCHEDULE OF THE ISDS WITH THE LAND EVIDENCE RECORDS OF THE MUNICIPALITY IN WHICH THE ISDS IS LOCATED. UPON RECORDING, THE HOMEOWNER SHALL SUBMIT TO R.I.D.E.M. A CERTIFIED COPY OF SAID RECORDED MATERIAL SETTING FORTH THE DATE AND TIME OF THE RECORDING AS WELL AS THE BOOK AND PAGE WHERE THIS MATERIAL CAN BE FOUND.

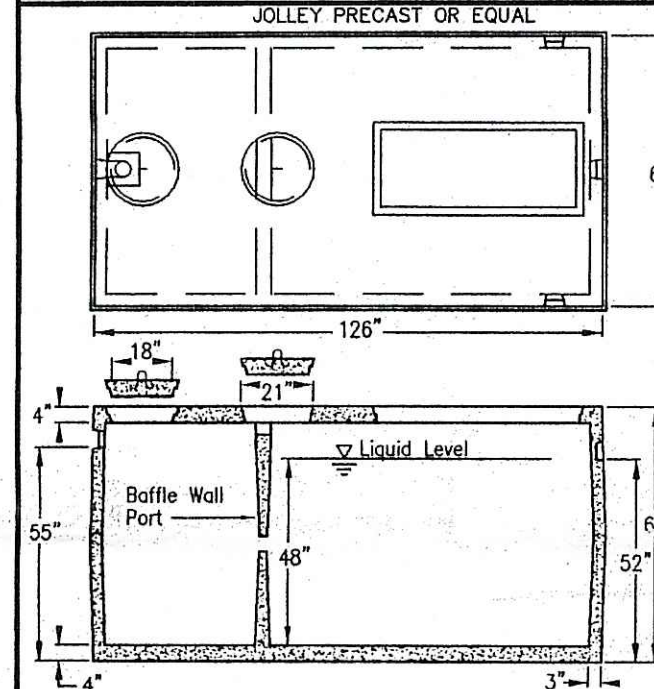
**I.S.D.S. DESIGN DATA**

(3-BEDROOM DWELLING)  
 150 GALLONS/BEDROOM = 450 GALLONS/DAY  
 APPLICATION RATE = 3.0 GAL/S.F./DAY  
 AREA REQUIRED = 150 S.F.  
 AREA PROVIDED (10' x 15') = 150 S.F.



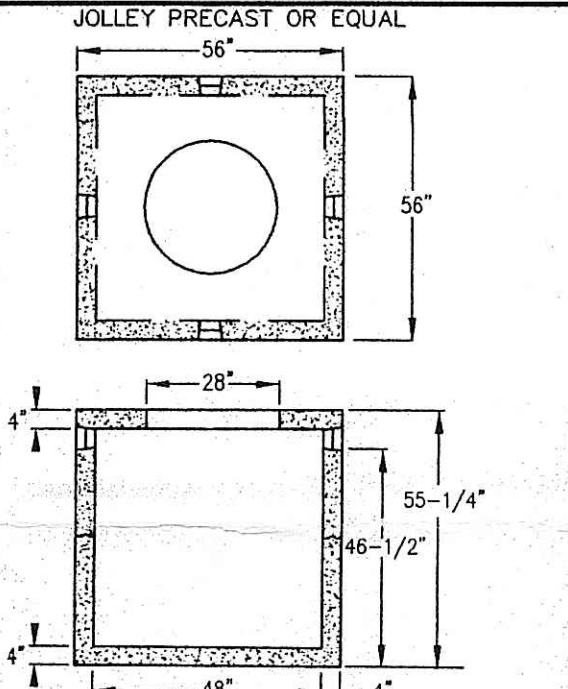
- INSTALLATION SEQUENCING:**
- DIG TRENCH 6" DEEP.
  - SET FENCE POST 10' APART MAX. AT SLIGHT ANGLE TOWARD RUNOFF DIRECTION.
  - ATTACH GEOFAB TO POST.
  - LOWER 6" OF GEOFAB IN TRENCH CURLED TOWARD RUNOFF DIRECTION & BACKFILL.
  - FENCE TO BE INSTALLED AS INDICATED ON THE SITE PLAN OR AS DIRECTED BY THE ENGINEER.

**Precast Septic Tank, 1500 MicroFAST-2 Compartment (6.3 ton)**



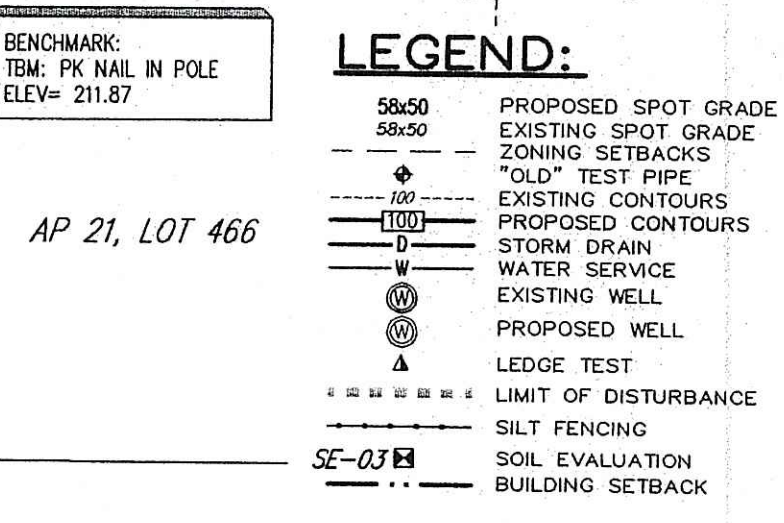
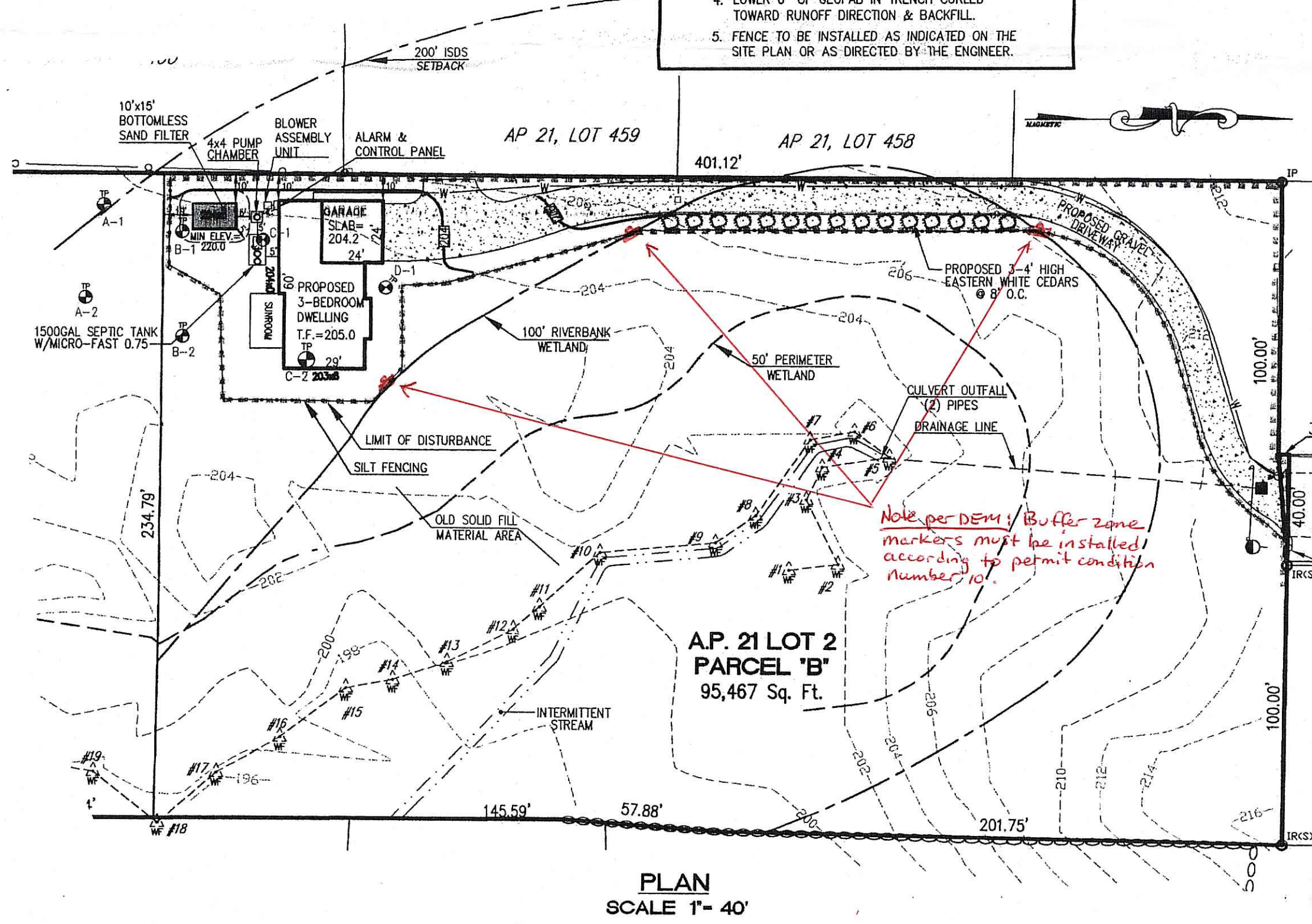
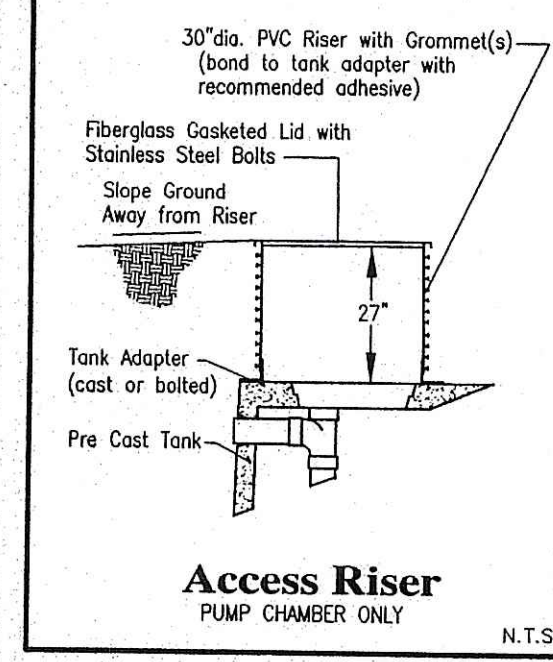
- DESIGN NOTES:**
- ALL JOINTS SEALED WITH BUTYL RUBBER SEALANT
  - ALL INLETS AND OUTLETS HAVE STA E APPROVED SEALS
  - AVAILABLE WITH 8" HEAVY DUTY TOP
  - MEETS ASTM C-1227-95
  - CONCRETE STRENGTH 5000 PSI MIN. 28 DAYS

**Precast Pump Chamber, 4 x 4 Pump Chamber**



- DESIGN NOTES:**
- ALL JOINTS SEALED WITH BUTYL RUBBER SEALANT
  - ALL INLETS AND OUTLETS HAVE STA E APPROVED SEALS
  - AVAILABLE WITH 8" HEAVY DUTY TOP
  - MEETS ASTM C-1227-95
  - CONCRETE STRENGTH 5000 PSI MIN. 28 DAYS

DEPARTMENT OF ENVIRONMENTAL MANAGEMENT  
 OFFICE OF WATER RESOURCES  
 FRESHWATER WETLANDS PROGRAM  
 APPROVED WITH CONDITIONS  
 AS SPECIFIED IN THE LETTER OF APPROVAL  
 DATED October 16, 2009. FILE # 09-0232  
 NO CHANGES ALLOWED WITHOUT PRIOR APPROVAL.  
 APPROVED PLANS MUST BE AT CONSTRUCTION SITE.



NO.	DATE	REVISION	REVISION COMMENTS (ISDS)
1	7/25/03		WETLAND PLANS
2	12/8/03		
3	5/20/04		

**JOHN P. CAITO**  
 No. 4398  
 REGISTERED PROFESSIONAL ENGINEER

**CAITO CORPORATION**  
 CIVIL ENGINEERS  
 25 SHARPE DRIVE  
 CRANSTON, RHODE ISLAND 02900-4402  
 401-946-0300  
 fax: 401-944-6009

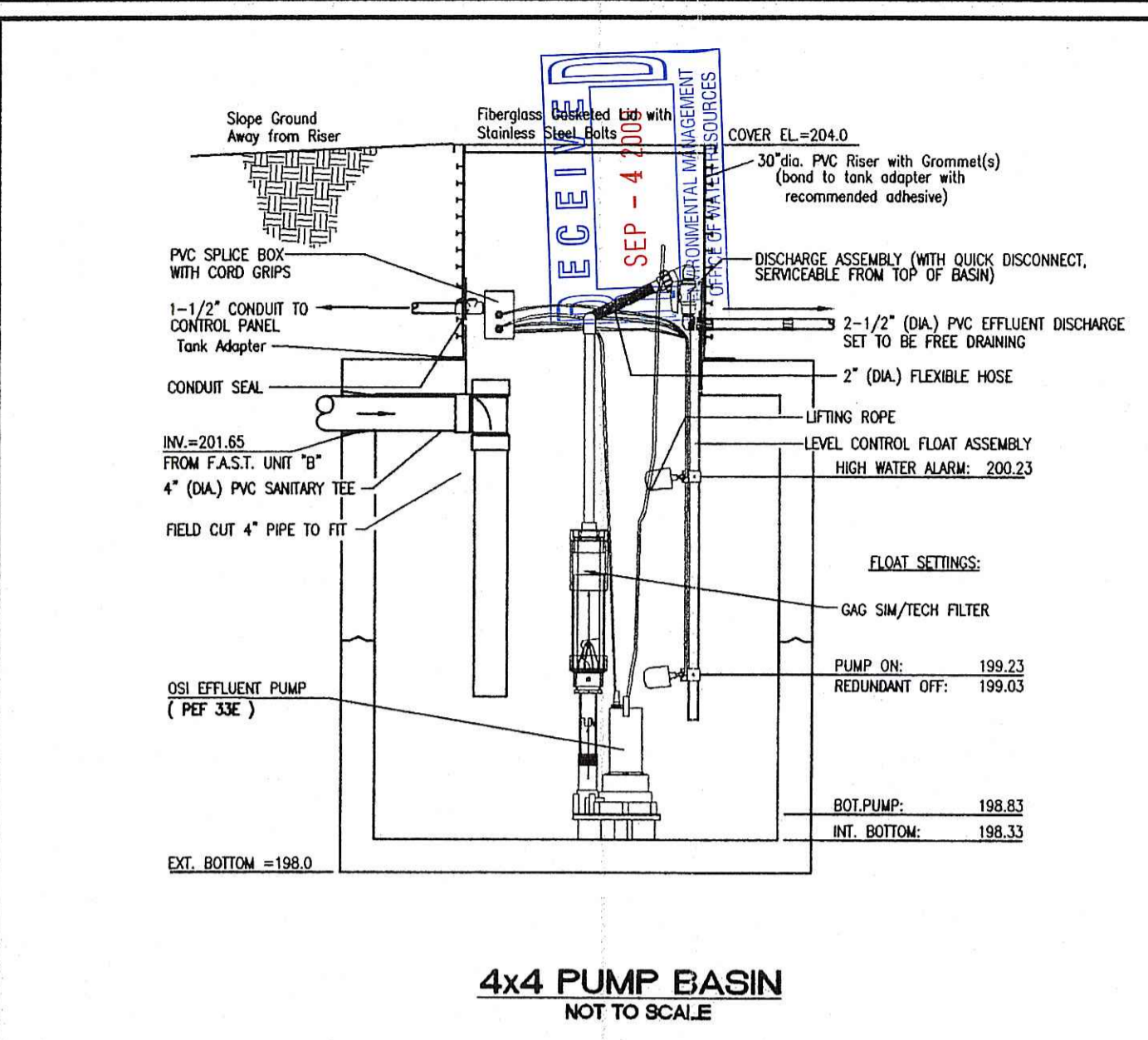
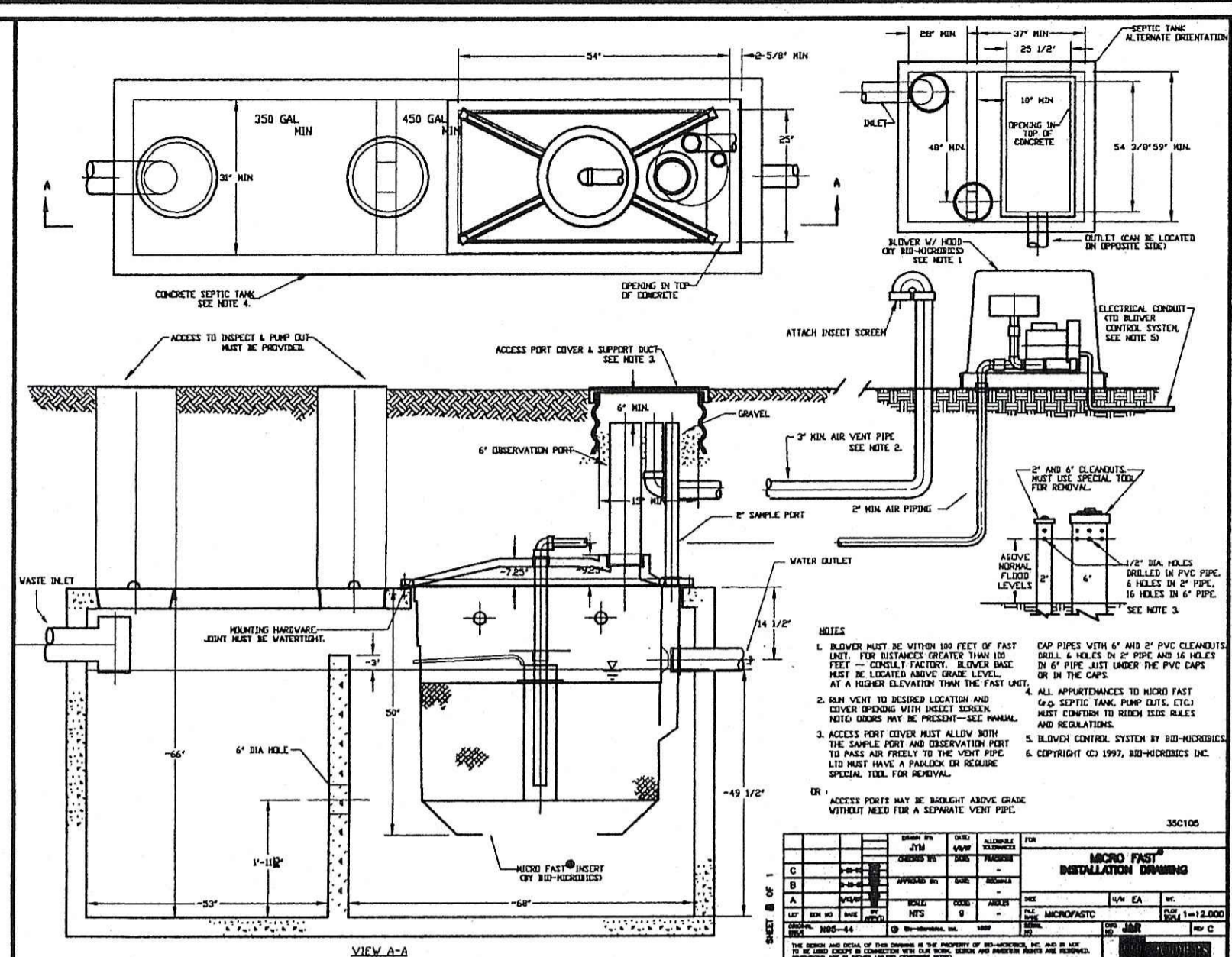
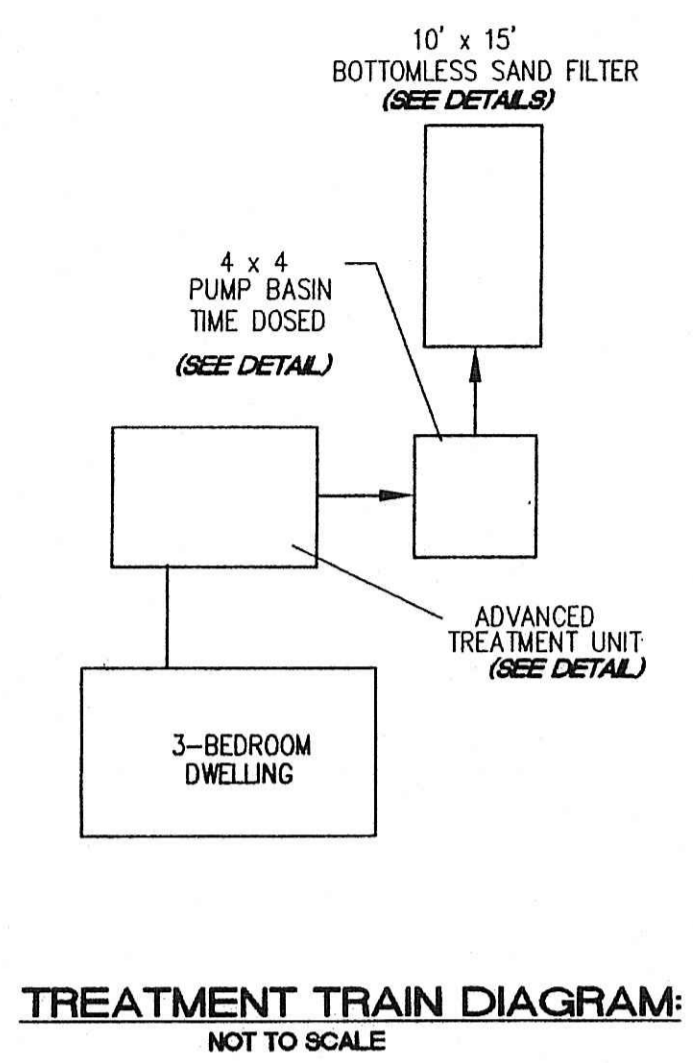
**JOB NO.:** 592.1192  
**DATE:** JUNE, 2003  
**SCALE:** 1" = 40'  
**DESIGNED BY:** J.C.H.  
**DRAWN BY:** M.A.D.  
**CHECKED BY:** J.P.C.

PLAN OF PROPOSED INDIVIDUAL SEWAGE DISPOSAL SYSTEM  
**ASSESSOR'S PLAT 21 LOT 2 (PARCEL 'B')**  
 PREPARED FOR  
**CUMBERLAND RHODE ISLAND GOLD STAR CONSTRUCTION**

**DRAWING NUMBER**  
**1**  
 SHEET 1 OF 2

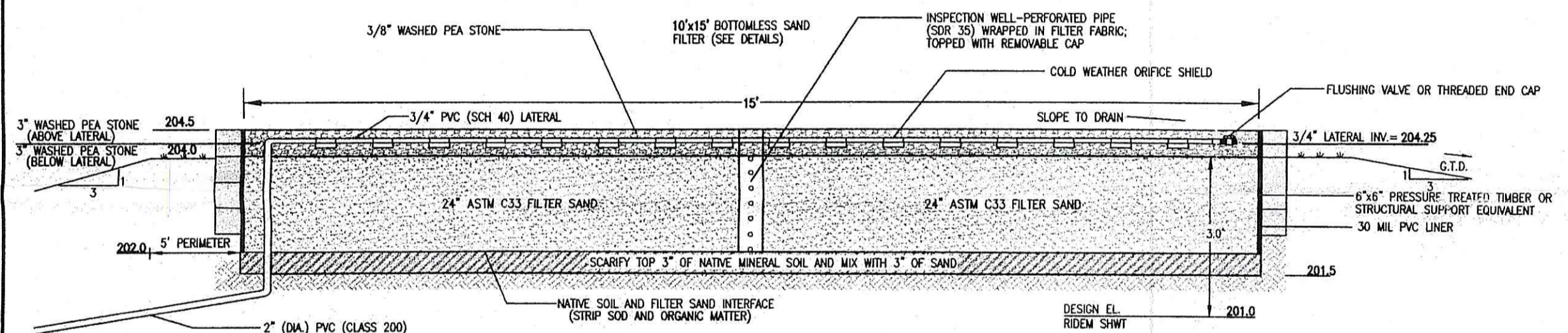
© 2004 JOHN P. CAITO CORPORATION

592-1192-SDS-LOT1&2-RT.dwg

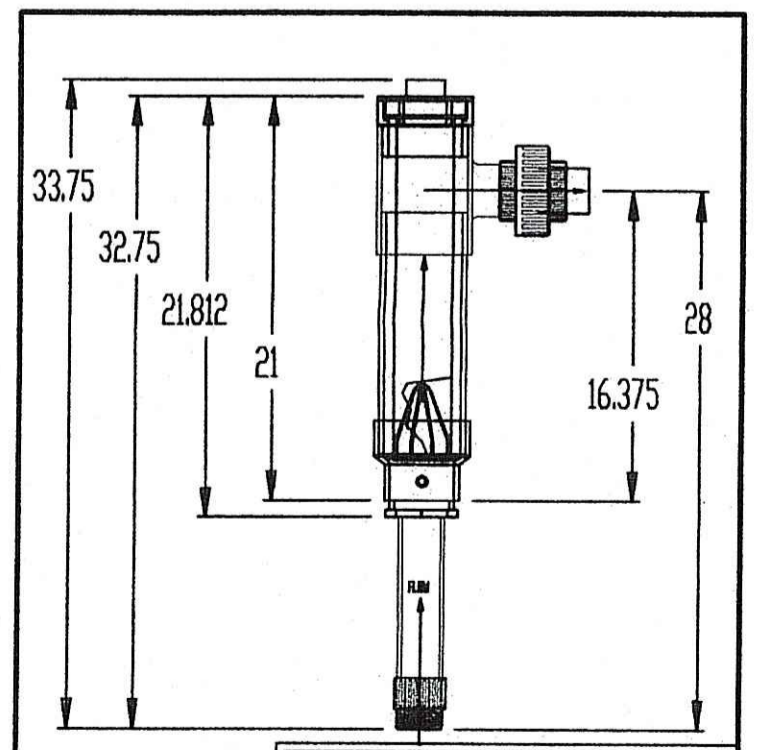


**EQUIPMENT NOTES:**

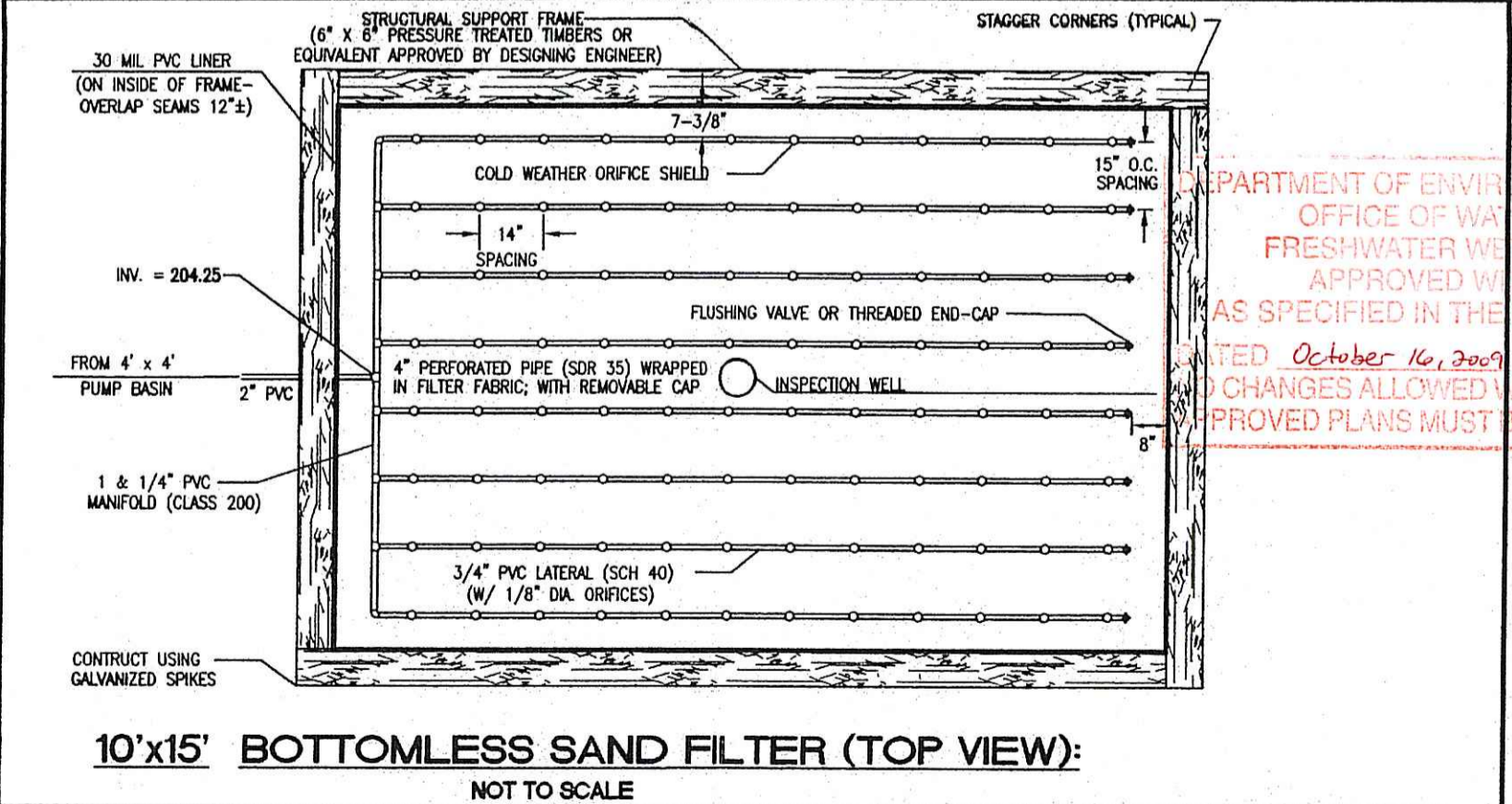
1. SEPTIC TANKS SHALL BE PRECAST WATERTIGHT CONCRETE JOLLEY ST 1500 MICRO-FAST 2-COMPARTMENT OR EQUIVALENT.
2. ALL COMPONENTS SHALL BE INSTALLED IN ACCORDANCE WITH THE MANUFACTURER'S SPECIFICATIONS.
3. ALL COMPONENTS AND INSTALLATION MUST BE INSPECTED AND APPROVED BY JOHN P. CAITO CORPORATION. ANY COMPONENT SUBSTITUTION MUST BE PRE-APPROVED BY JOHN P. CAITO CORPORATION PRIOR TO INSTALLATION.
4. SEPTIC TANK AND PUMP BASIN INVERTS SHALL BE WATERTIGHT. CAST-IN-SEAL CONNECTORS (OR EQUIVALENT) SHALL BE UTILIZED ALONG WITH EZ-WRAP RUBBER ALONG ALL JOINTS.
5. THE SEPTIC TANK SHALL BE MANUFACTURED IN ACCORDANCE WITH ASTM C-1227-02A STANDARDS OR THE LATEST SUPERCEDING VERSION OF THIS STANDARD. UPON FINAL INSPECTION, THE CONTRACTOR SHALL PROVIDE JOHN P. CAITO CORPORATION WITH WRITTEN CERTIFICATION OF WATERTIGHTNESS.
6. PUMPS SHALL BE EQUIPPED WITH A HIGH WATER LEVEL (VISIBLE AND AUDIBLE) ALARM POWERED BY A CIRCUIT SEPARATE FROM THE PUMP POWER. THE ALARM SHALL BE LOCATED IN AN OCCUPIED AREA OF THE DWELLING.
7. ADVANCED TREATMENT UNITS AND THE PUMP DOSING THE BOTTOMLESS SAND FILTER SHALL BE WIRED ON THE SAME ELECTRICAL CIRCUIT.



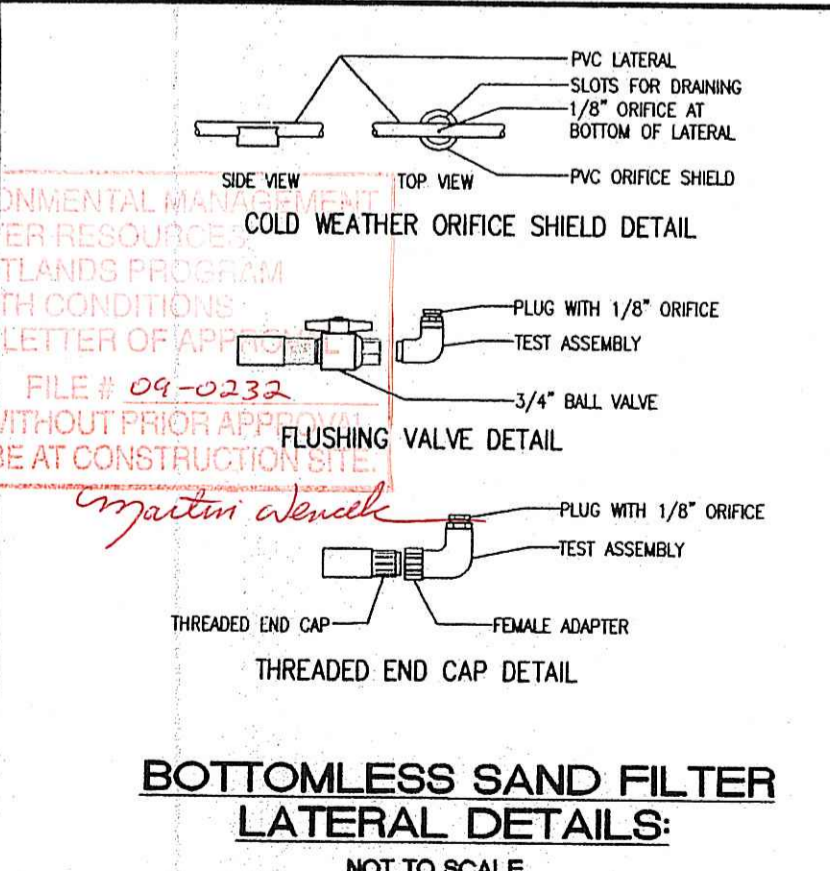
**BOTTOMLESS SAND FILTER (ABOVE GRADE) CROSS SECTION:**  
NOT TO SCALE



**GAG SIM/TECH FILTER**  
06390 HERTON BAY NORTH RD  
BRYNE CITY, NJ 08712  
1-800-999-3250 FAX 1-616-582-7324  
SIM/TECH FILTER ASSY DETAIL PATENT PENDING  
J HENRY 5-01-97  
GARY KOTESKEY OWNER JMG-012  
FLTRDIA.DWG



**10'x15' BOTTOMLESS SAND FILTER (TOP VIEW):**  
NOT TO SCALE



**BOTTOMLESS SAND FILTER LATERAL DETAILS:**  
NOT TO SCALE

**MAINTENANCE NOTES:**

1. THE SEPTIC TANK, ADVANTEX FILTER, PUMP SYSTEM AND BOTTOMLESS SAND FILTER SHALL BE MAINTAINED ANNUALLY.
2. MAINTENANCE SHALL BE PERFORMED IN CONFORMANCE WITH THE PROCEDURES SPECIFIED IN THE COMPONENT'S OPERATION AND MAINTENANCE MANUAL AND IN ACCORDANCE WITH THE R.I.D.E.M. GUIDELINES FOR THE DESIGN AND USE OF BOTTOMLESS SAND FILTERS, NOVEMBER 2001. AS AMENDED.
3. PUMP, FLOAT ASSEMBLY AND CONTROL PANEL SHALL BE CHECKED FOR PROPER OPERATION AND CYCLE TIMING.
4. SCUM AND SLUDGE DEPTHS IN THE SEPTIC TANKS SHALL BE MEASURED AND LOGGED ANNUALLY. THE TANKS SHALL BE PUMPED IF THE SCUM DEPTH EXCEEDS 5", THE SLUDGE DEPTH EXCEEDS 13" OR THE DEPTH OF THE COMBINED SOLIDS (SCUM AND SLUDGE) EXCEEDS 16".

NO.	DATE	REVISION	REVISION COMMENTS (SOS)
1	7/25/03		
2	5/20/04		

**JOHN P. CAITO**  
No. 4398  
REGISTERED PROFESSIONAL ENGINEER

**CAITO CORPORATION**  
LAND PLANNERS  
CIVIL ENGINEERS  
95 SHARPE DRIVE  
CRANSTON, RHODE ISLAND  
02920-4402  
401-946-0300  
401-944-6009  
FAX: 401-944-6009

JOB NO.: 592-1192  
DATE: JUNE, 2003  
SCALE: AS SHOWN  
DESIGNED BY: J.C.H.  
DRAWN BY: M.A.D.  
CHECKED BY: J.P.C.

PLAN OF PROPOSED  
INDIVIDUAL SEWAGE DISPOSAL SYSTEM  
ASSESSORS PLAT 21 LOT 2  
(PARCEL 'B')  
CUMBERLAND  
RHODE ISLAND  
PREPARED FOR  
GOLD STAR CONSTRUCTION

DRAWING NUMBER  
**2**  
SHEET 2 OF 2

© 2003 JOHN P. CAITO CORPORATION