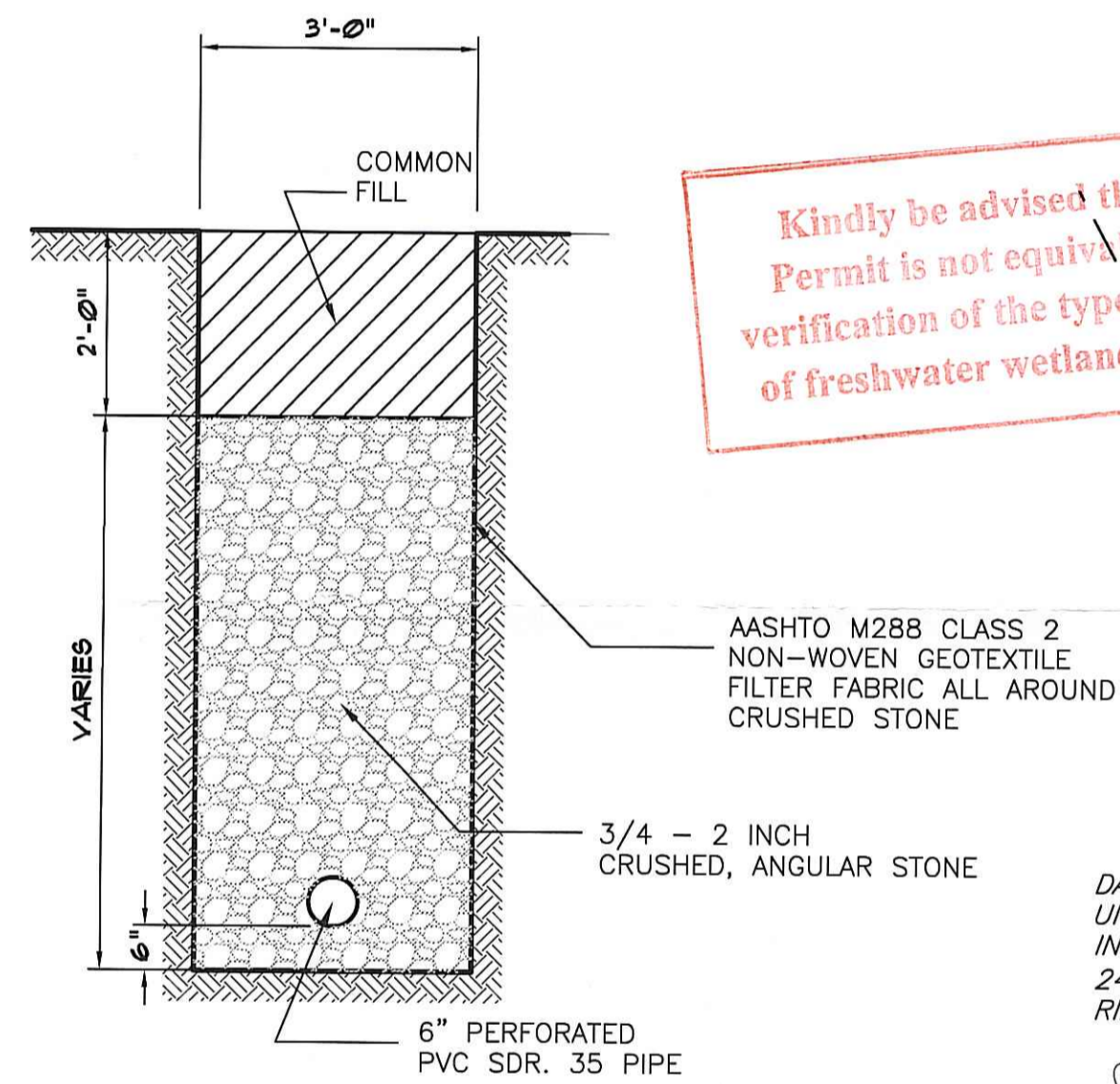


**4' DIA. PRECAST MANHOLE**  
NOT TO SCALE



**6\"/>**

**PARCEL DATA**  
AP 4-C, LOT 17  
**TOTAL AREA**  
55,465 SQ. FT. OR 1.27 ACRES  
**ZONING DATA: R-2**  
**MIN. AREA** 2.0 ACRES  
**MIN. LOT FRONTAGE** 200 FT.  
**SETBACKS**  
**FRONT** 50 FT.  
**SIDE** 35 FT.  
**REAR** 100 FT.

- LEGEND:**
- STONE / CONC. BOUND
  - IRON PIPE
  - IRON ROD OR NAIL
  - DRILL HOLE
  - NOW OR FORMERLY
  - EXISTING FENCE
  - EXISTING CONTOUR
  - STONE WALL
  - WETLAND FLAG
  - UTILITY POLE
  - A.P. NUMBER
  - LOT NUMBER
  - EDGE OF PAVEMENT
  - EXIST. PROPERTY LINE
  - 50' PERIMETER WETLAND
  - 100' RIVERBANK WETLAND
  - HAYBALES & SILT FENCE LIMITS OF DISTURBANCE

**PRELIMINARY PLAN**  
ASSESSOR'S PLAT 4-C, LOT 17  
**CAROLINA NOOSENECK ROAD**  
RICHMOND, RI  
NATIONAL WATER ASSOCIATION  
CAROLINA NOOSENECK ROAD  
RICHMOND, RI

**PROFESSIONAL STAMP**  
MOHAMAD B. NADER  
No. 6988  
REGISTERED PROFESSIONAL ENGINEER  
CIVIL

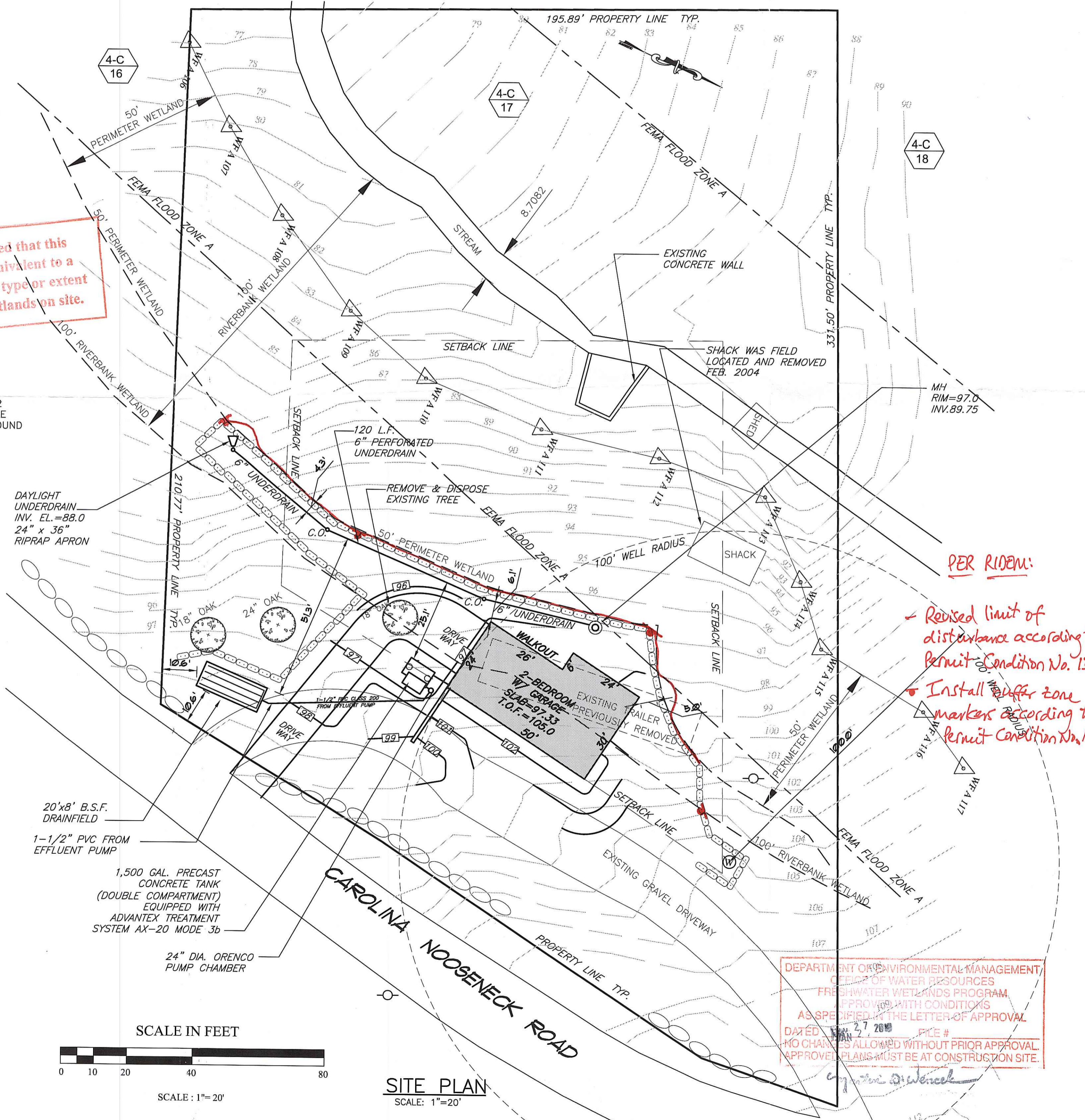
NO.	REVISION	DATE

**AMERICAN EAST ENGINEERS & CONSULTANTS INC.**  
CIVIL • STRUCTURAL  
PERMITTING • LAND PLANNING  
SUBDIVISIONS • WASTEWATER  
5 MECHANIC STREET  
HOPE VALLEY, RI 02832  
PHONE: 401.677.9888  
EMAIL: engineers@aee.com



**PRELIM. PLAN**  
SHEET DESCRIPTION  
ASSESSOR'S PLAT 4-C, LOT 17  
RICHMOND, RI

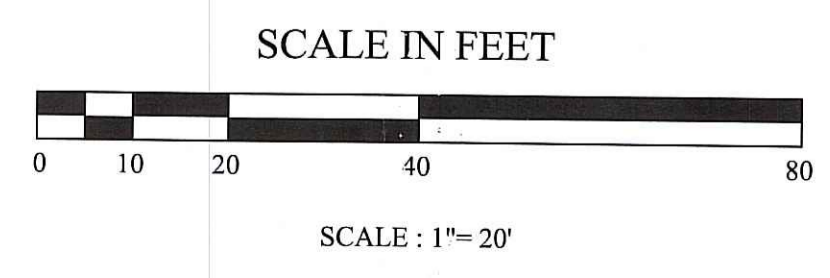
Sheet **1**  
of **1**  
AEE Project No. 195



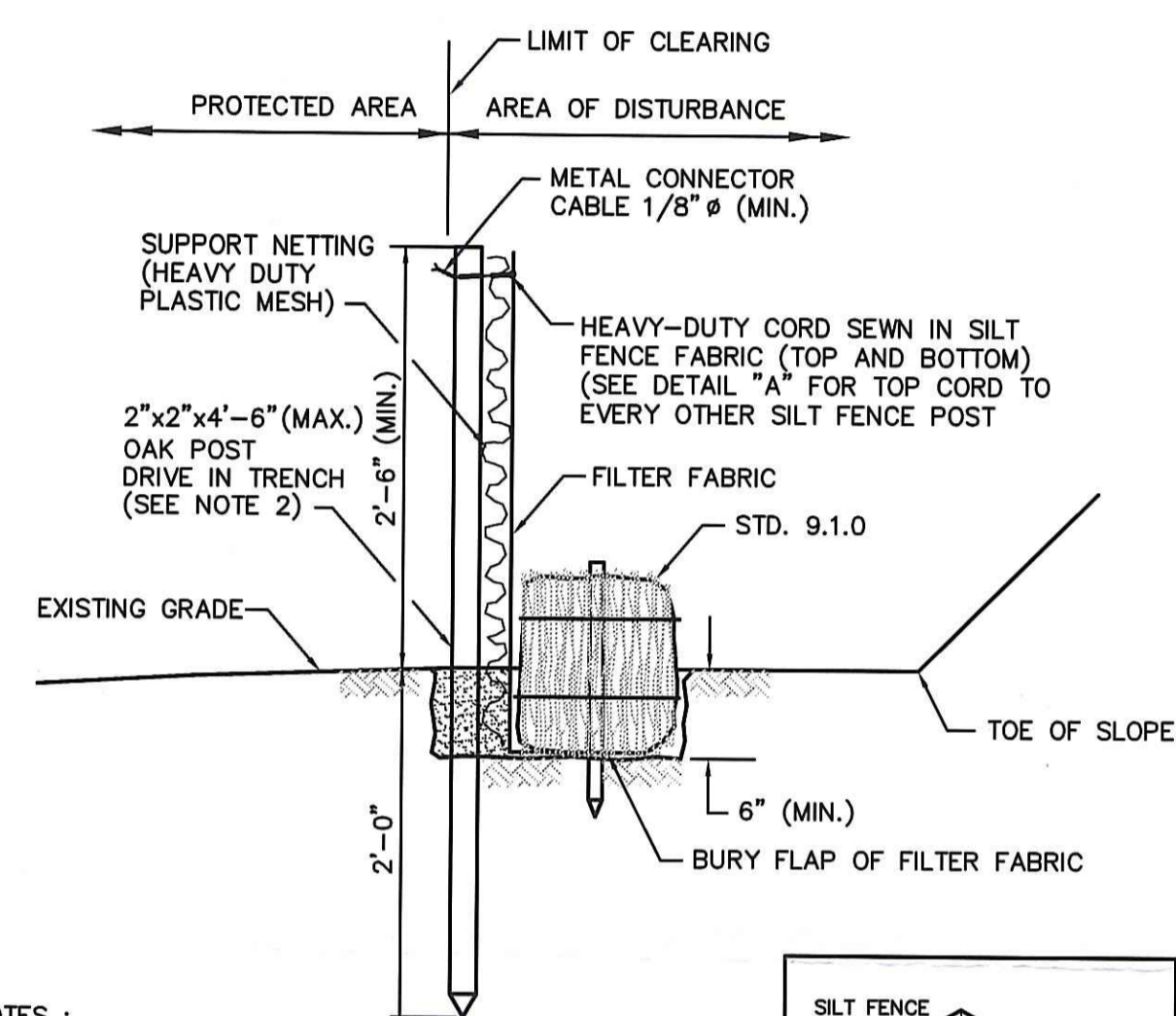
Kindly be advised that this Permit is not equivalent to a verification of the type or extent of freshwater wetlands on site.

*PER RIEM:*  
- Revised limit of disturbance according to Permit Condition No. 13  
- Install buffer zone markers according to Permit Condition No. 15

DEPARTMENT OF ENVIRONMENTAL MANAGEMENT  
OFFICE OF WATER RESOURCES  
FRESHWATER WETLANDS PROGRAM  
APPROVED WITH CONDITIONS  
AS SPECIFIED IN THE LETTER OF APPROVAL  
DATED: MAY 27 2009  
NO CHANGES ALLOWED WITHOUT PRIOR APPROVAL  
APPROVAL PLANS MUST BE AT CONSTRUCTION SITE.



**SITE PLAN**  
SCALE: 1\"/>



**HAYBALES / SILTFENCE DETAIL**  
NOT TO SCALE

- NOTES:**
- SHALL BE IN ACCORDANCE WITH SECTION 206 OF THE R.I. STANDARD SPECIFICATIONS.
  - STD. 9.1.0 IS INSTALLED "TIGHT" AGAINST SILT FENCE. THOROUGHLY COMPACT EXCAVATED SOILS BACK INTO TRENCH AFTER INSTALLATION OF EROSION CONTROL DEVICE. SILT FENCE FABRIC SHALL NOT BE SLIT. STD. 9.1.0 POST SHALL BE DRIVEN THROUGH SILT FENCE FABRIC. 2"x2"x4"-6" (MAX.) OAK POST FOR SILT FENCE SHALL BE LOCATED 6'-0" (MAX.) O.C. IN WETLAND AREAS AND 4'-0" (MAX.) O.C. IN WETLAND RAVINE, GULLY OR DROP-OFF AREAS AS SHOWN ON PLANS.
  - 1"x1"x4"-6" (MIN.) POSTS PERMITTED FOR PRE-FABRICATED SILT FENCE.
  - SILT FENCE AND BALED HAY SHALL BE INSTALLED BEFORE ANY GRUBBING OR EARTH EXCAVATION TAKES PLACE.

**GENERAL NOTES:**

- EMBANKMENT SLOPES AND ALL DISTURBED AREAS ARE TO RECEIVE 4" TOPSOIL AND SEED.
- FOR ALL EXCAVATION AND PLACEMENT OF FILL, THE CONTRACTOR SHALL PERFORM THE WORK IN FULL COMPLIANCE WITH THE R.I. STANDARD SPECIFICATION SECTION 202.
- THE CONTRACTOR SHALL VERIFY THE LOCATIONS OF ALL EXISTING DRAINAGE & UTILITIES, BOTH UNDERGROUND AND OVERHEAD, BEFORE EXCAVATION BEGINS IN ACCORDANCE WITH "DIG SAFE PROGRAM LAW" ENACTED BY THE R.I. LEGISLATURE AND BY CONTACTING THE INDIVIDUAL UTILITY COMPANIES. EXCAVATION SHALL BE IN ACCORDANCE WITH ALL STATUTES, ORDINANCES, RULES AND REGULATIONS OF ANY CITY, STATE OR FEDERAL AGENCY THAT MAY BE APPLICABLE. ANY DAMAGE TO EXISTING UTILITIES SHALL BE THE CONTRACTOR'S RESPONSIBILITY.
- ALL REQUIRED AUTHORIZATION TO PERFORM WORK MUST BE OBTAINED BY THE CONTRACTOR PRIOR TO CONSTRUCTION, INCLUDING PERMISSION BY THE PROPERTY OWNERS.
- ALL EXISTING UTILITIES HAVE BEEN PLOTTED BASED UPON BEST AVAILABLE INFORMATION AND REPRESENT APPROXIMATE LOCATIONS.
- THE CONTRACTOR SHALL BE SOLELY RESPONSIBLE FOR ANY CONSTRUCTION OPERATIONS INCLUDING ALL ACTIONS OR OMISSIONS OF ANY SUBCONTRACTORS, AGENTS OR EMPLOYEES. THE CONTRACTOR MUST ENSURE THAT THE CONDITIONS OF ALL PERMITS, SPECIFICATIONS AND FEDERAL, STATE AND LOCAL REGULATIONS ARE STRICTLY ENFORCED. THE CONTRACTOR IS ALSO RESPONSIBLE FOR ALL ASPECTS OF ON-SITE SAFETY INCLUDING ANY DAMAGE TO EXISTING STRUCTURES.
- THE CONTRACTOR IS TO VERIFY ALL EXISTING CONDITIONS AND DIMENSIONS IN FIELD PRIOR TO ANY CONSTRUCTION ACTIVITIES AND SHALL NOTIFY THE ENGINEER OF ANY DISCREPANCY FOUND.
- ALL EXISTING SITE & TOPOGRAPHICAL FEATURES TAKEN FROM PLAN TITLED "EXISTING CONDITIONS PLAN" PREPARED BY A.R.M. ENGINEERING, INC. 211 MAIN STREET P.O. BOX 607 ASHAWAY RI 02804. SCALE: 1"=20', DATE: FEB. 2004.
- WETLAND FLAGGING PREPARED BY ECOTONES, INC. ENVIRONMENTAL CONSULTANTS ON JAN. 2004

**EROSION CONTROL AND SOIL STABILIZATION PROGRAM:**

- EXTREME CARE SHALL BE EXERCISED SO AS TO PREVENT ANY UNSUITABLE MATERIAL FROM ENTERING THE WATER, WETLANDS, THE ROADWAY DRAINAGE SYSTEM AND ADJACENT PROPERTY.
- STAKED HAY BALES OR SILT FENCES SHALL BE INSTALLED WHERE SHOWN AND AS REQUIRED TO PREVENT SEDIMENTATION INTO WATER COURSE, WETLANDS AND OR ONTO ADJACENT PROPERTIES.
- DENUDED SLOPES SHALL NOT BE UNATTENDED OR EXPOSED FOR EXCESSIVE PERIODS OF TIME SUCH AS THE INACTIVE WINTER SEASON.
- ALL DISTURBED SLOPES, EITHER NEWLY CREATED OR EXPOSED PRIOR TO OCTOBER 15, SHALL BE SEEDED OR PROTECTED BY THAT DATE.
- TEMPORARY TREATMENTS SHALL CONSIST OF HAY, STRAW OR FIBER MULCH OR PROTECTIVE COVERS, SUCH AS A MAT OR FIBER LINING (BURLAP, JUTE, FIBERGLASS NETTING, EXCELSOR BLANKETS). THEY SHALL BE INCORPORATED INTO THE WORK AS WARRANTED OR AS ORDERED BY THE OWNER.
- HAY OR STRAW APPLICATIONS SHALL BE IN THE AMOUNT OF 3,000-4,000 LBS/ACRE.
- ALL HAY BALES OR TEMPORARY PROTECTION SHALL REMAIN IN PLACE UNTIL AN ACCEPTABLE STAND OF GRASS OR APPROVED GROUND COVER IS ESTABLISHED AND POTENTIAL SEDIMENTATION SOURCES ARE REMOVED.
- STOCKPILES SHALL HAVE NO SLOPE STEEPER THAN 2:1 AND SHALL BE SURROUNDED BY STAKED HAY BALES.
- STOCKPILES EXPOSED FOR EXCESSIVE PERIODS SHALL RECEIVE TEMPORARY TREATMENT CONSISTING OF HAY, STRAW OR FIBER MATTING.
- DURING CONSTRUCTION, THE CONTRACTOR SHALL BE RESPONSIBLE FOR ALL EROSION CONTROL MAINTENANCE AND SHALL INSPECT/REPLACE AS NEEDED. ADDITIONAL HAY BALES OR SANDBAGS SHALL BE LOCATED AS CONDITIONS WARRANT OR AS DIRECTED BY THE ENGINEER, OWNER, TOWN REPRESENTATIVES OR R.I.D.E.M.
- THE CONTRACTOR SHALL REFERENCE THE "R.I. EROSION AND SEDIMENT CONTROL HANDBOOK" PREPARED BY THE U.S. DEPARTMENT OF AGRICULTURE, SOIL CONSERVATION SERVICE, 1989, AS A GUIDE.