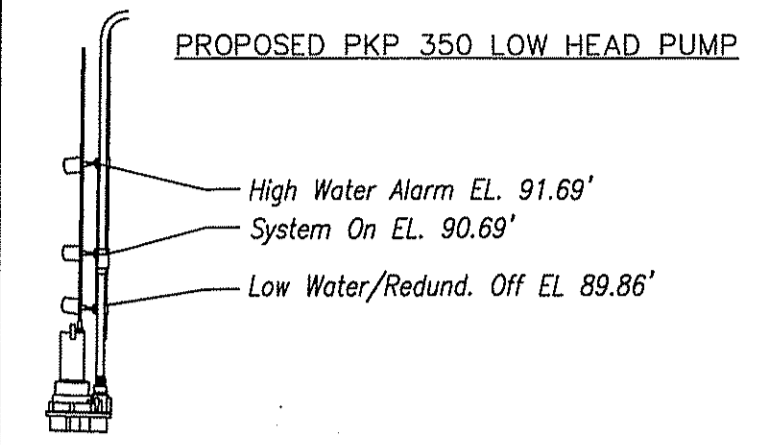
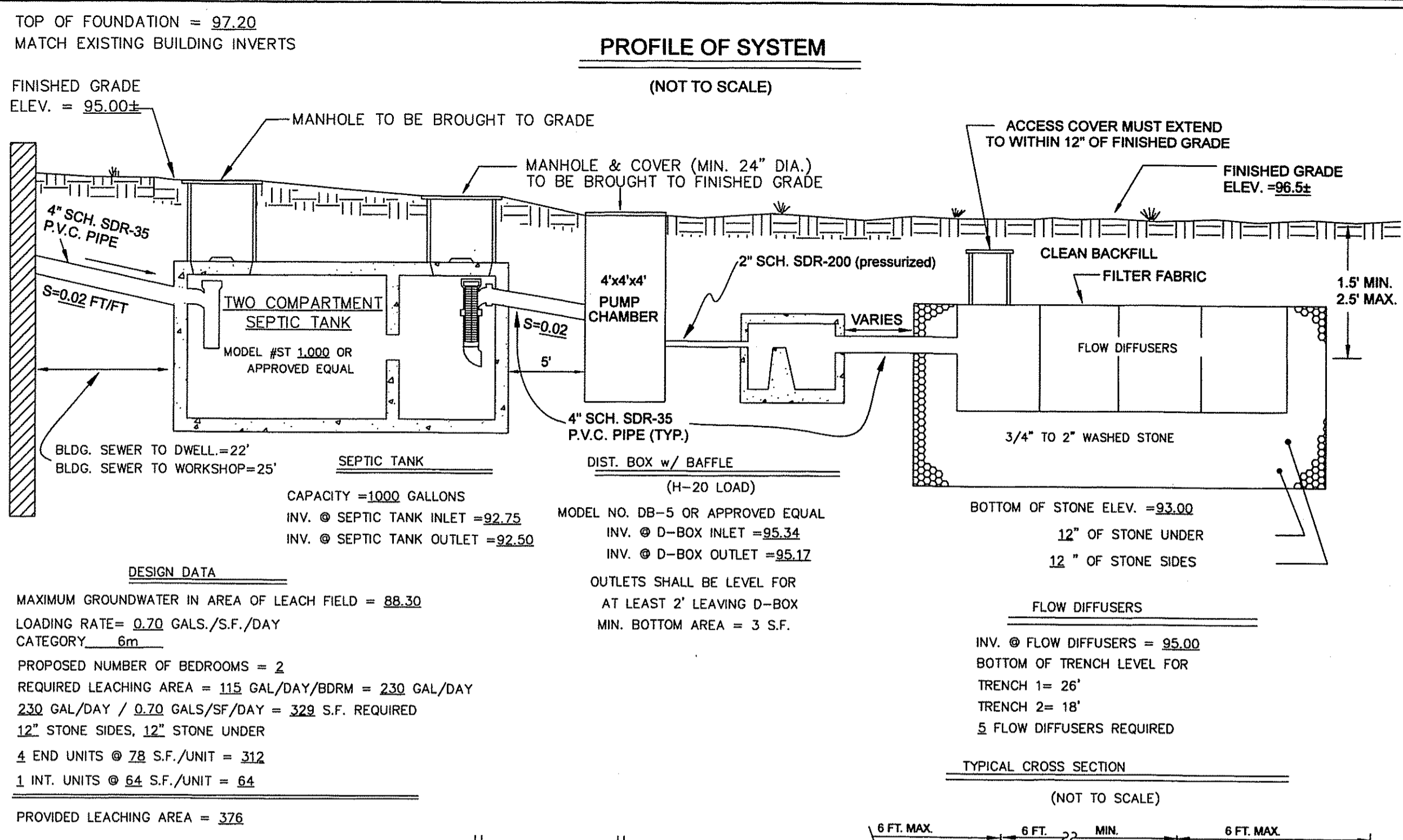
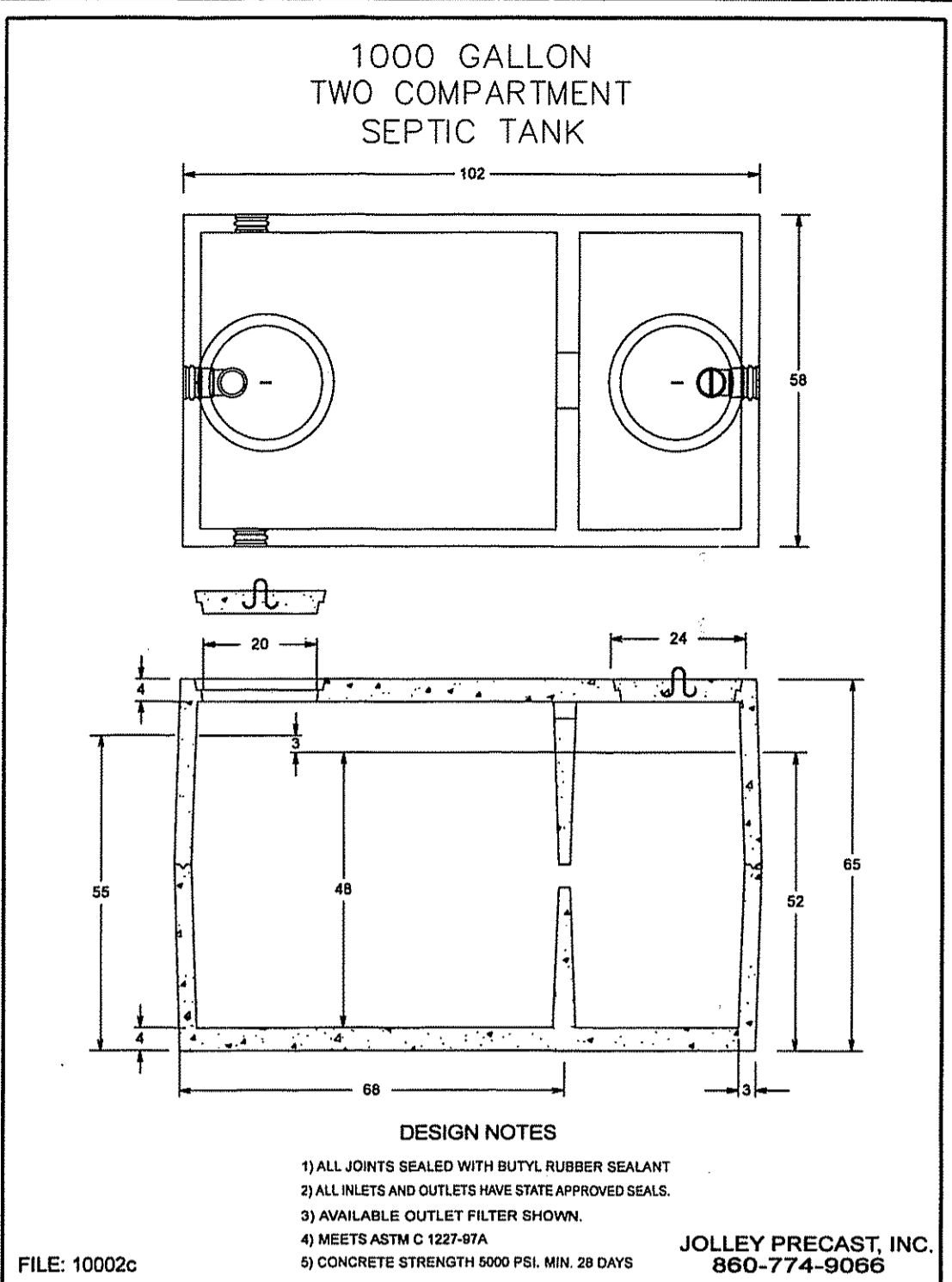


Legend:
 AP Assessor's Plat
 WT Watertable
 LOD Limit of Disturbance
 UP Utility Pole
 ECB Existing Concrete Bound



DISCHARGE PUMP FLOAT SETTING CALCULATIONS
 TOTAL DAILY FLOW = 230 GALLON/DAY
 DOSING RATE OF 20 GALLONS / FLOW DIFFUSOR UNIT X 5 UNITS = 100 GALS/DOSE
 TOTAL CYCLES PER DAY = 230 GALLONS/100 GALLON/CYCLE = 2.3 CYCLES
 AT 40 GALLONS/MINUTE/100 GALLON/CYCLE; PUMP WILL RUN FOR 2.5 MINUTES/CYCLE
 DOSE SETTINGS: 100 GALLON DOSE/120 GALLON/LIQ. FT. = 0.83 FT.
 PUMP CHAMBER ELEVATIONS (48"x48" CHAMBER):
 RM = 96.02
 INLET = 92.40
 OUTLET = 92.48
 HWA = 91.69
 PUMP ON = 90.69
 PUMP OFF = 89.86 (12" MINIMUM LIQUID LEVEL FOR PKP 350 PUMP)
 BOTTOM CHAMBER (interior) = 88.86



Scale in feet: 1"=20'
 Revisions:
 9/11/15 Add wall & FWW S/W

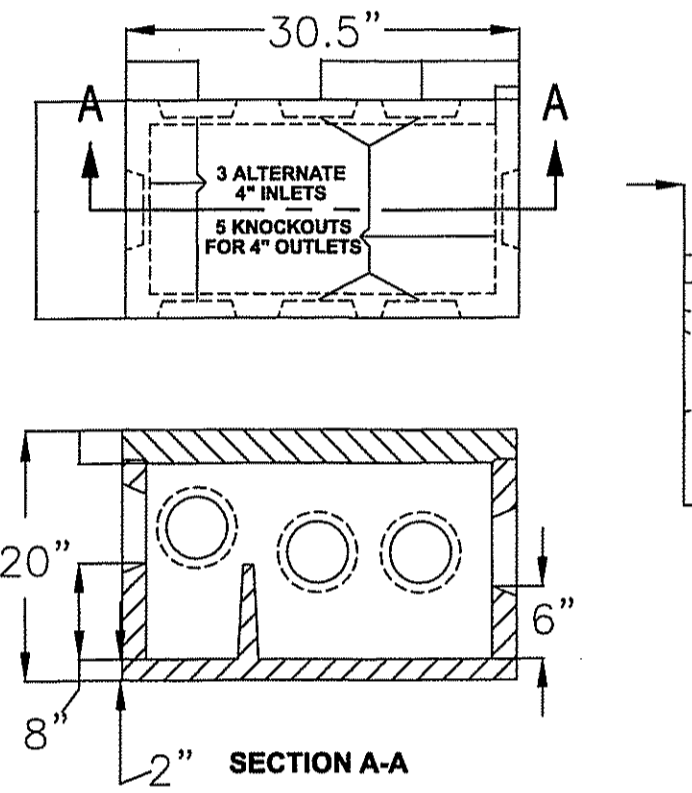
JOHN E. ROCKWELL
 No. 1959
 PROFESSIONAL LAND SURVEYOR
 9/11/15



CONCRETE PRODUCTS
 Terry Lane
 Gloucester, RI 02814
 (401) 568-8874

PRODUCT CODE CPDB-5
DESIGN NOTES:
 • Inlet baffle cast in place.
 • Concrete is 5000 psi at 28 days.

Distribution Box - 5

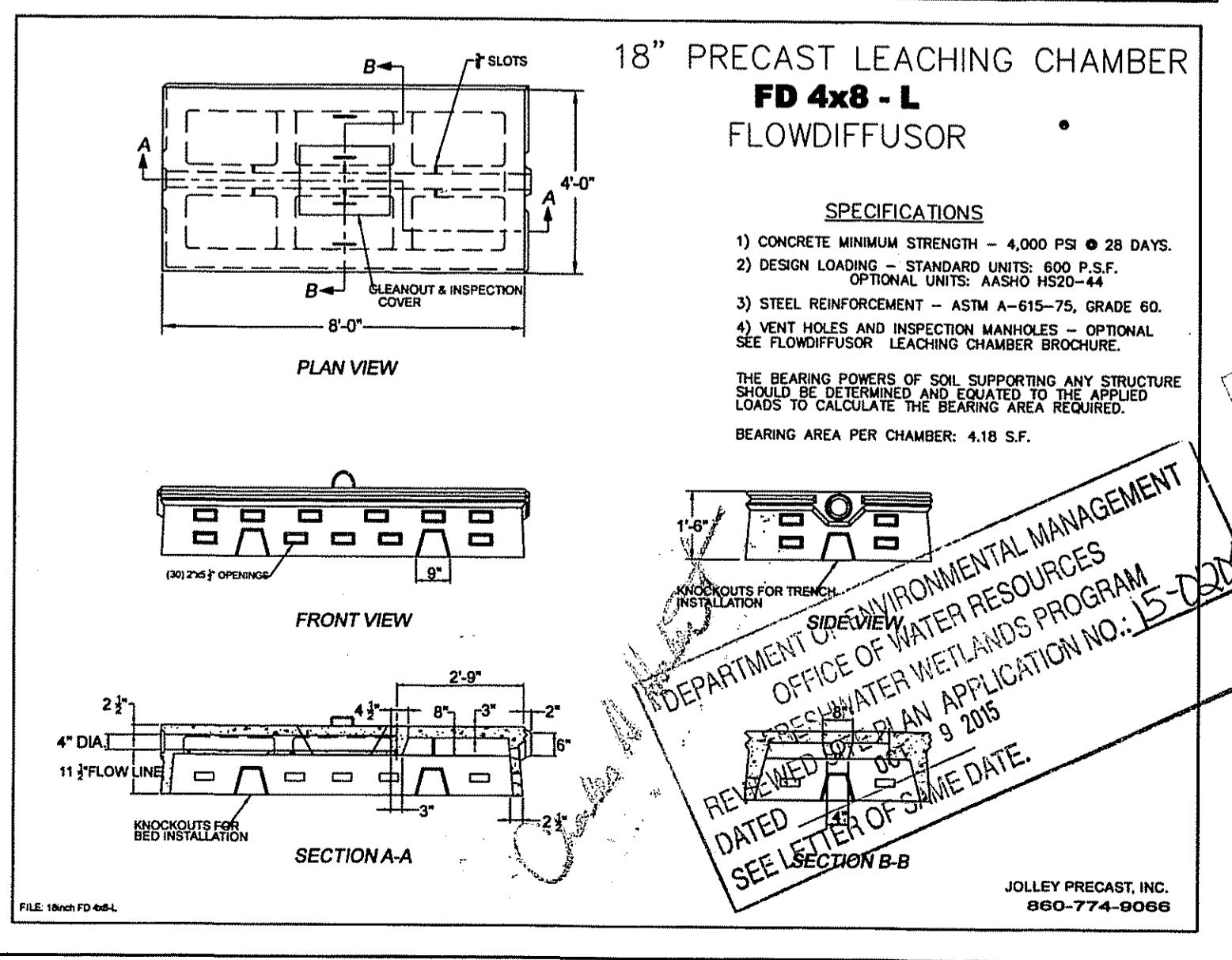
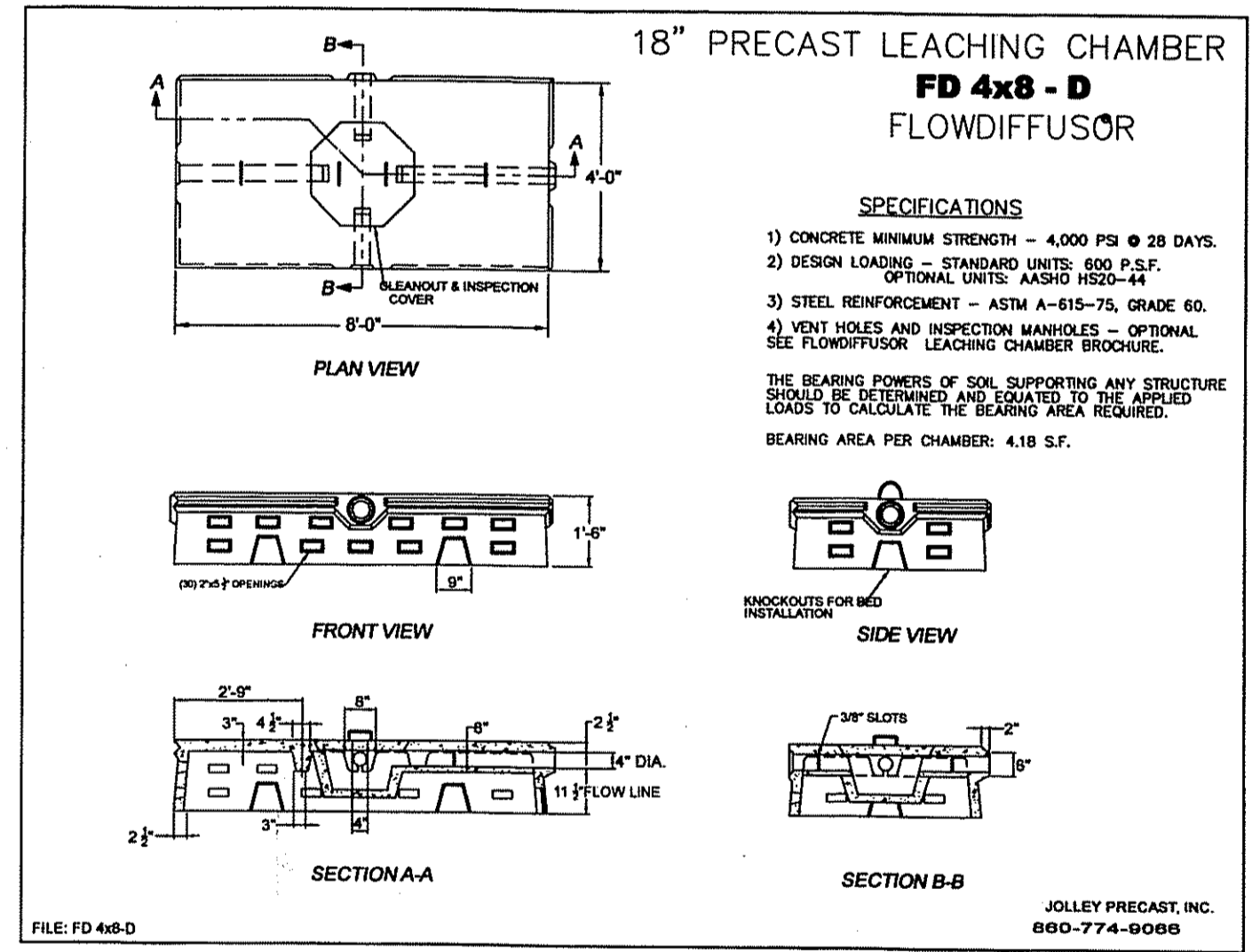
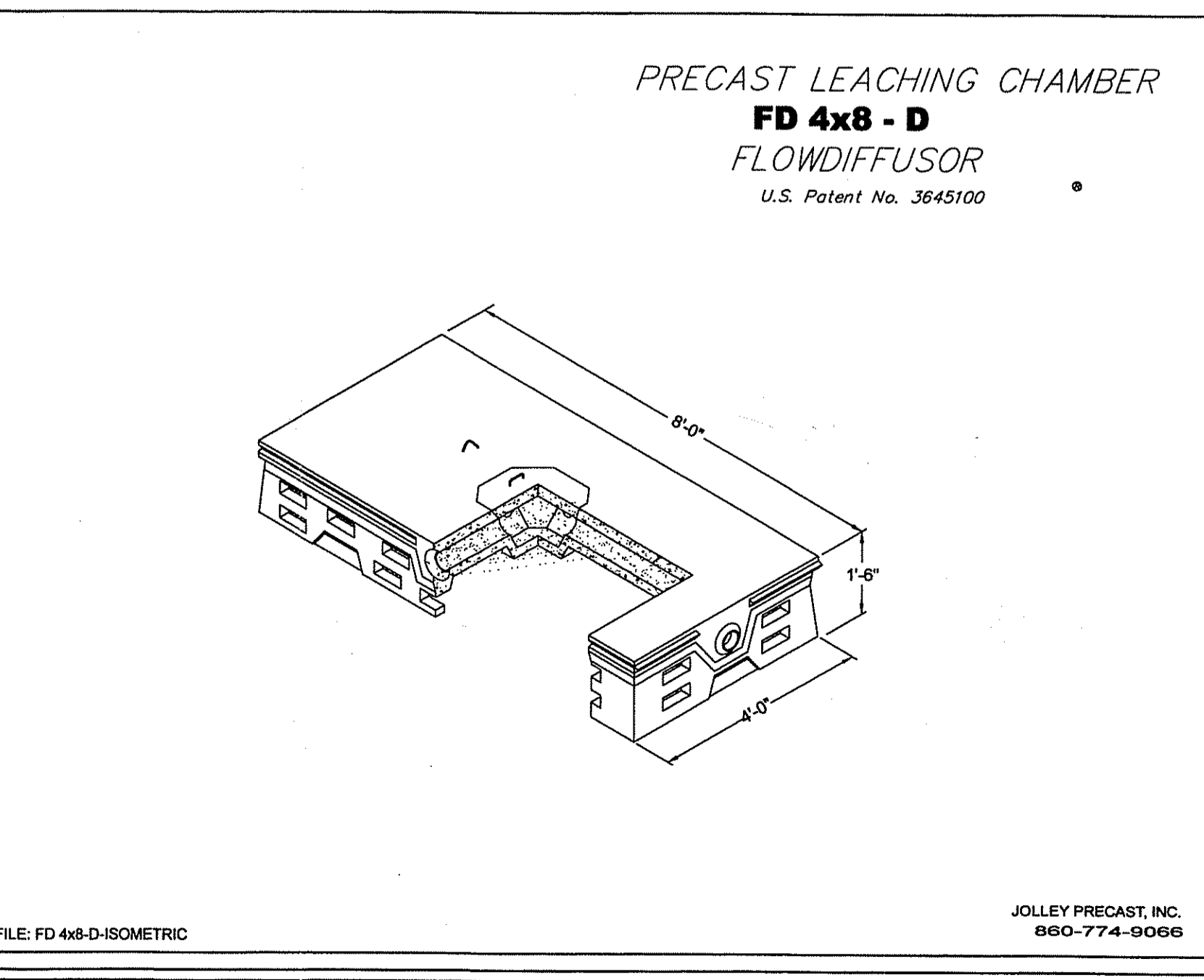
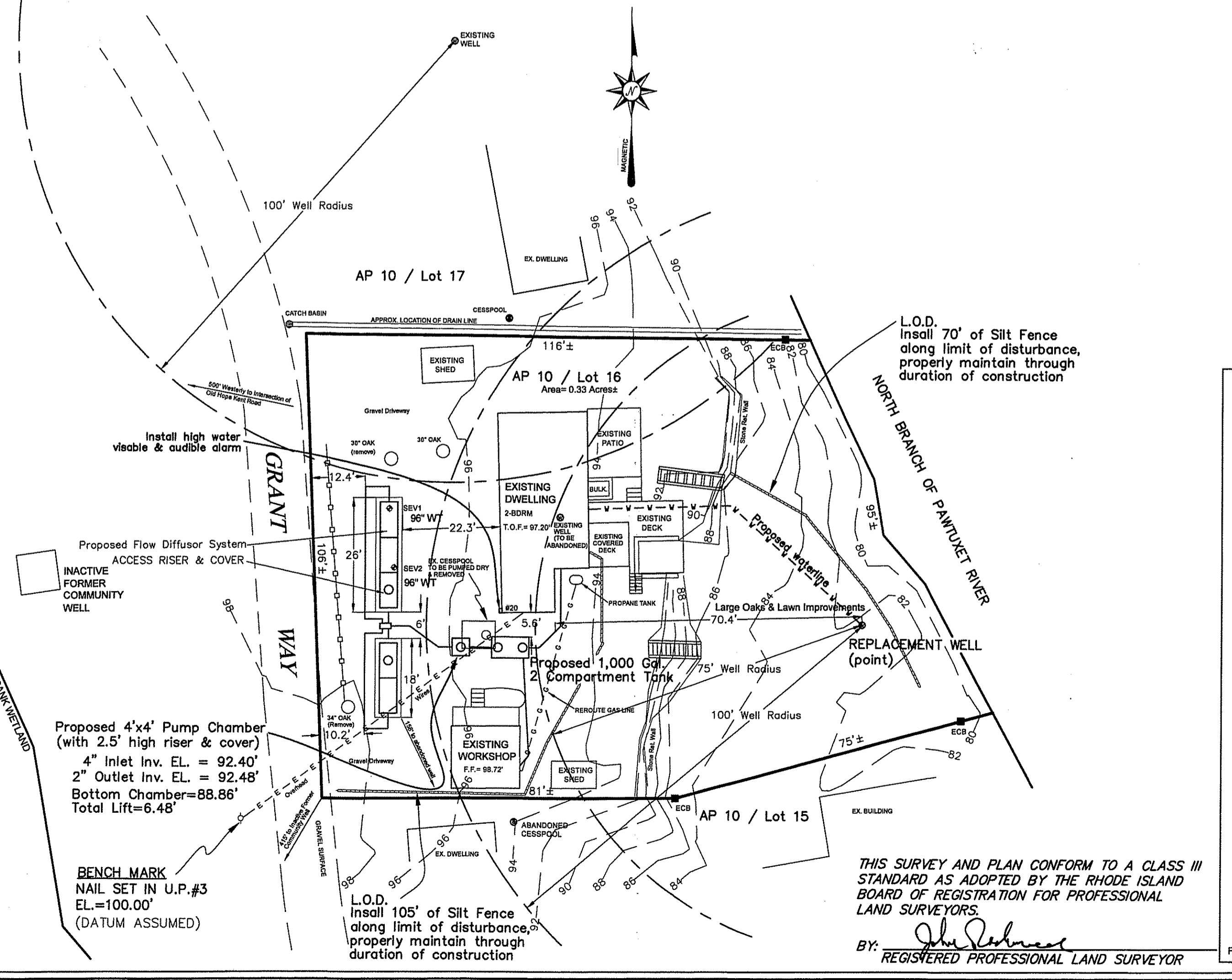


Additional Notes:

1. Refer to application # 1530-0213
2. Excavate OWTS area to remove top soil (18"±)
3. Excavate trenches to elev. 93.00 and install 12" of 3/4" to 2" double washed stone below and around flow diffusers.
4. Installer to contact designer prior to start of construction.
5. Installer to provide copies of any State inspection reports & receipts for materials and components.
6. Location of underground utilities is approximate.
7. The workshop has no foundation (on concrete blocks).
8. The information shown on this plan was obtained from an on-site survey.

OWTS NOTES

Do not park on OWTS area. Seed OWTS area with grass.
 Use H-20 Load distribution box. Minimum 3sq ft bottom area.
 Extend septic tank manhole to grade as shown. Grade to divert runoff.
 Remove all vegetation & trees within 10' of proposed OWTS.
 No OWTS existing or proposed within 100' of proposed well.
 No wells existing or proposed within 200' of proposed OWTS except as noted.
 No public wells existing or proposed within 500' of proposed OWTS.
 No underground drains existing or proposed within 25' of OWTS.
 Lot lines as shown are approximate and should be verified prior to construction activities.
 Use 4" diameter sewer pipe (SDR 35) watertight joints.
 Designer must supervise all phases of installation of OWTS.



Coventry Survey Co., Inc.
 46 South Main Street
 Coventry, Rhode Island 02816
 (401) 823-5028
 coventrysurvey.com
 Land Surveying / Mapping / OWTS Designs

Proposed Alteration of On-site Wastewater Treatment System at 20-22 Grant Way in Scituate, Rhode Island
 Assessor's Plat 10 / Lot 16
 Prepared for: John & Amy Sundstrom
 20 Grant Way, Hope, RI 02831

DEPARTMENT OF ENVIRONMENTAL MANAGEMENT
 OFFICE OF WATER RESOURCES
 WASTEWATER WETLANDS PROGRAM
 REVIEWED BY: [Signature]
 DATED: 06/29/2015
 SEE SECTION B-B FOR SAME DATE.

Date:
 June 30, 2015
 Sheet 1 of 1