

33 Broad Street | One Weybosset Hill | Floor 7  
 Providence, Rhode Island 02903  
 800.985.7897 | www.woodardcurran.com

**WOODARD & CURRAN**

COMMITMENT & INTEGRITY DRIVE RESULTS

THIS DOCUMENT IS THE PROPERTY OF WOODARD & CURRAN, INC. AND ITS CLIENT. IT IS TO BE USED ONLY FOR THE PROJECT AND PURPOSE SPECIFIED. REUSE OR REPRODUCTION IS PROHIBITED.

ROBERT S. LITTLE  
 No. 10169  
 REGISTERED PROFESSIONAL ENGINEER

REV	REGULATORY COMMENTS	DESCRIPTION	DATE
1	REGULATORY COMMENTS	DESCRIPTION	03/24/16

DESIGNED BY: HCP  
 CHECKED BY: MAP  
 DRAWN BY: HCP

DEPARTMENT OF ENVIRONMENTAL MANAGEMENT  
 OFFICE OF WATER RESOURCES  
 FRESHWATER WETLANDS PROGRAM  
 APPROVED WITH CONDITIONS  
 AS SPECIFIED IN THE LETTER OF APPROVAL  
 DATED APR 27 2016 FILE # 16-0079  
 NO CHANGES ALLOWED WITHOUT PRIOR APPROVAL  
 APPROVED PLANS MUST BE AT CONSTRUCTION SITE

Kindly be advised that this Permit is not equivalent to a verification of the type or extent of freshwater wetlands on site.

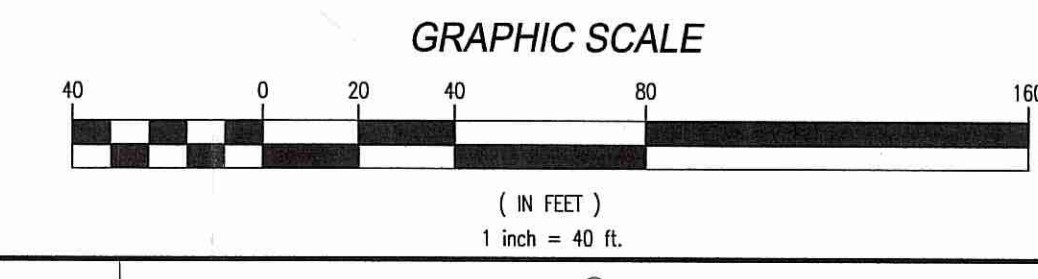
**SITE BENCHMARK  
 NAIL FOUND IN POLE #102  
 ELEV. = 170.34'  
 NAVD-88 DATUM**

- CONSTRUCTION SEQUENCE:**
1. INSTALL EROSION AND SEDIMENT CONTROLS PRIOR TO START OF CONSTRUCTION. INSPECT AND MAINTAIN EROSION AND SEDIMENTS CONTROLS DURING CONSTRUCTION.
  2. INITIATE APPROPRIATE STABILIZATION PRACTICES ON ALL DISTURBED AREAS DURING CONSTRUCTION. AREAS OUTSIDE THE LIMIT OF WORK SHALL NOT BE DISTURBED.
  3. COMPACTION OF THE QUALIFYING PERVIOUS AREA SHALL BE AVOIDED AT ALL TIMES.
  4. LOAM AND SEED DISTURBED PERVIOUS AREAS AFTER EARTHWORK HAS BEEN COMPLETED.

**LEGEND:**

QUALIFYING PERVIOUS AREA (QPA) FOR EACH 1,000 SQUARE FEET OF GRAVEL DRIVEWAY SECTION

- NOTES:**
1. UTILITY TRENCH TO BE WITHIN GRAVEL ACCESS DRIVE EXTENTS.
  2. WELL VAULTS SHALL BE GRADED AWAY FROM THE WELL.
  3. CONSTRUCTION STAGING AND MATERIAL STOCKPILE AREAS SHALL BE LOCATED WITHIN THE LIMIT OF WORK AREA ONLY.



**FOR PERMITTING PURPOSES ONLY - NOT FOR CONSTRUCTION**

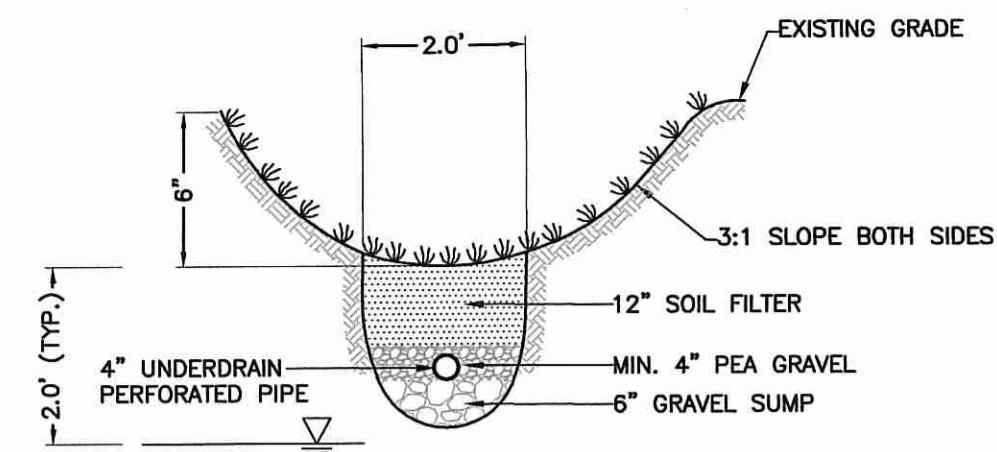
**SITE PLAN**

CUMBERLAND WATER DEPARTMENT SCHOFIELD FARM CUMBERLAND, RHODE ISLAND

**WETLAND PERMIT APPLICATION**

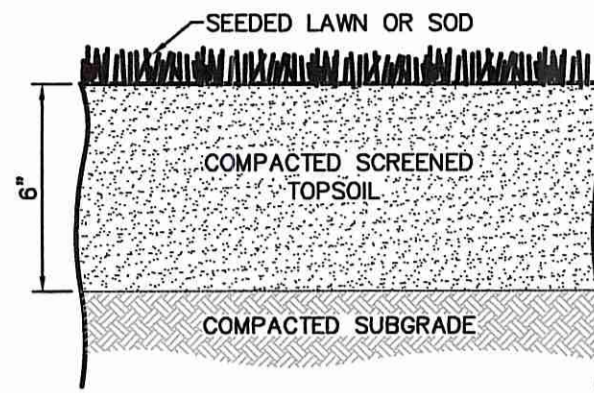
JOB NO.: 212636.29  
 DATE: JANUARY 2016  
 SCALE: AS SHOWN  
 SHEET: 4 OF 5

**C-200**

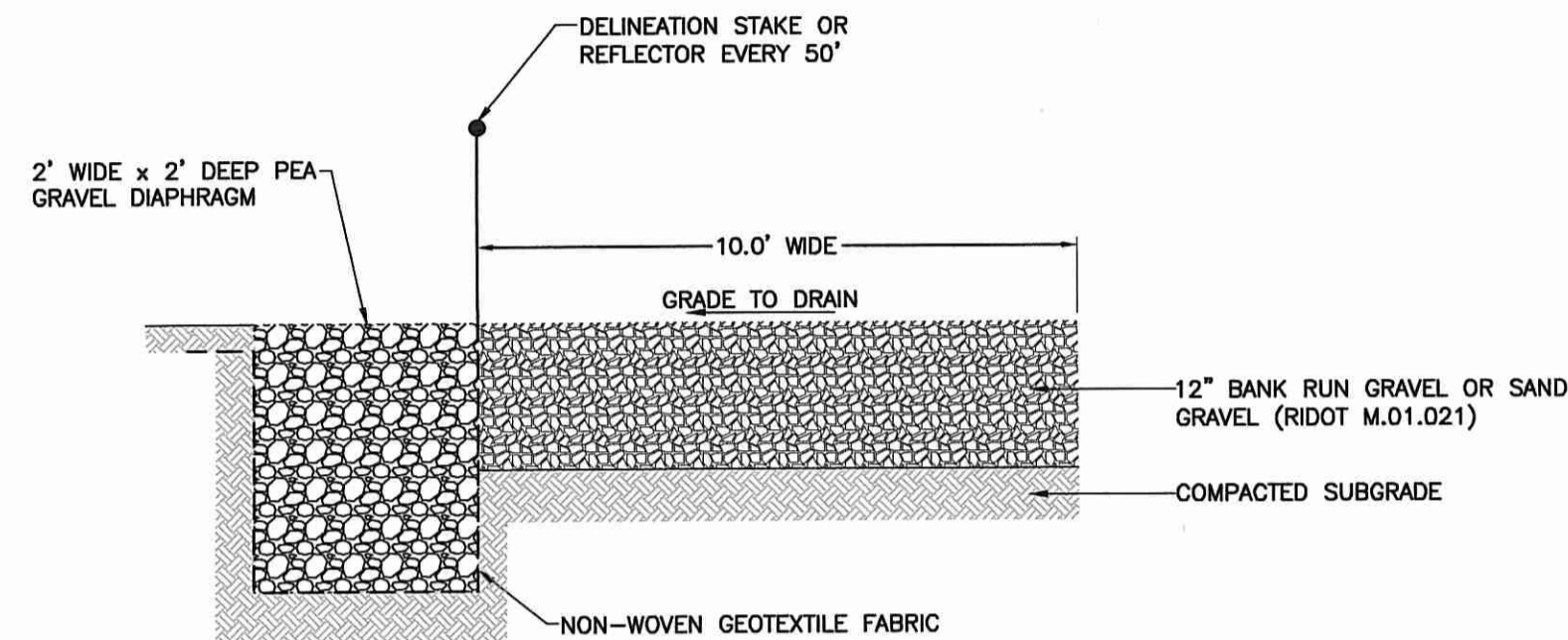


- NOTES:**
1. GRASS SURFACE SHALL MEET THE RHODE ISLAND STORMWATER MANUAL SPECIFICATIONS FOR OPEN CHANNELS.
  2. SOIL FILTER MEDIA TO MEET THE RHODE ISLAND STORMWATER MANUAL SPECIFICATIONS FOR BIORETENTION SOIL.

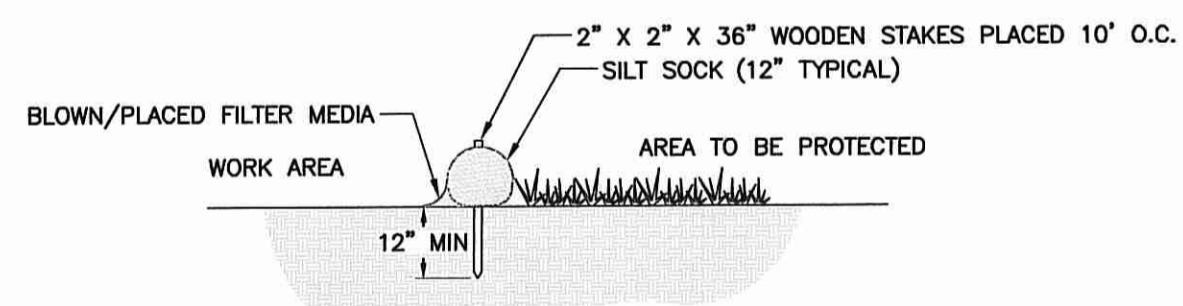
**DRY SWALE DETAIL**  
NOT TO SCALE



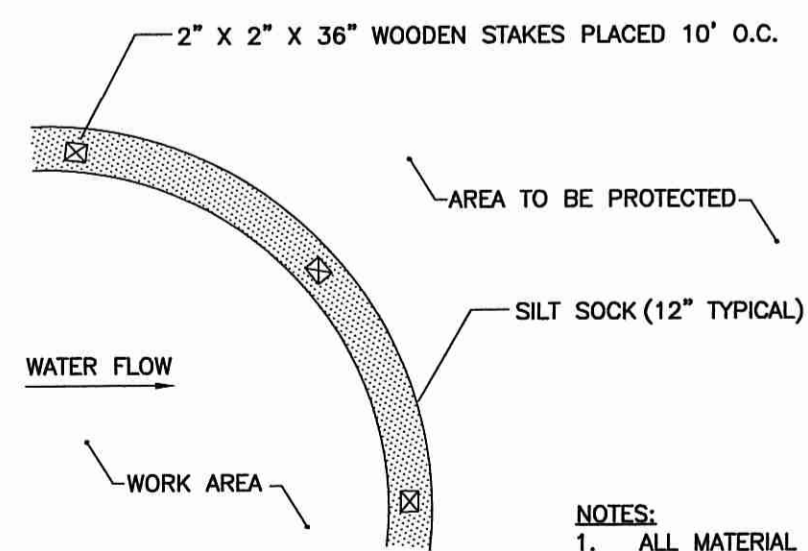
**LOAM AND SEED DETAIL**  
NOT TO SCALE



**GRAVEL ACCESS DRIVE SECTION**  
NOT TO SCALE



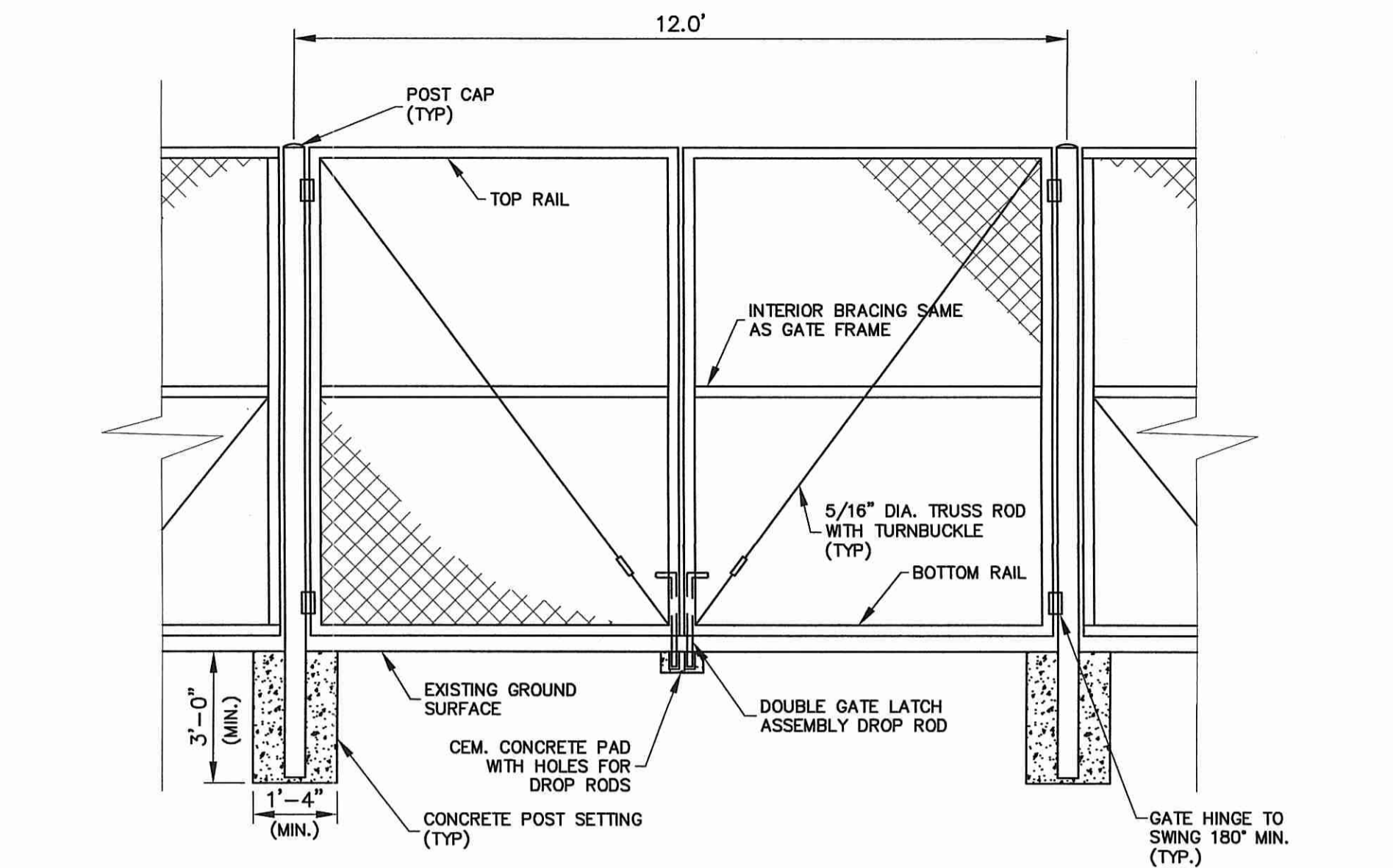
**SECTION**



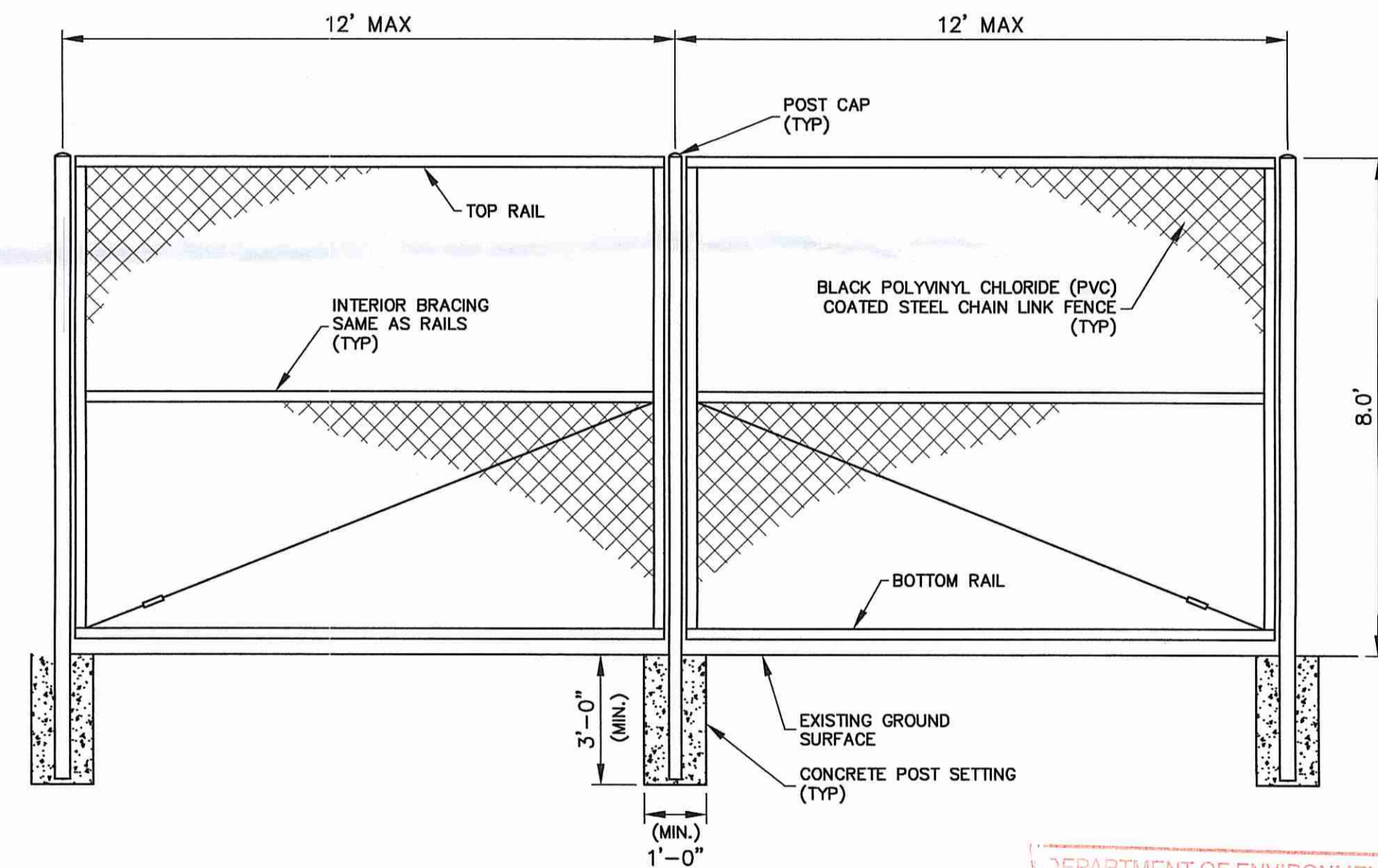
**PLAN**

**SILT SOCK SEDIMENT CONTROL**  
NOT TO SCALE

- NOTES:**
1. ALL MATERIAL SHALL MEET MANUFACTURER'S SPECIFICATIONS.
  2. FILTER MEDIA FILL TO MEET APPLICATION REQUIREMENTS.
  3. COMPOST MATERIAL TO BE DISPERSED ON SITE, AS APPROVED BY ENGINEER.



**DOUBLE SWING GATE**  
NOT TO SCALE



**TYPICAL CHAIN LINK FENCE**  
NOT TO SCALE

Kindly be advised that this Permit is not equivalent to a verification of the type or extent of freshwater wetlands on site.

DEPARTMENT OF ENVIRONMENTAL MANAGEMENT  
OFFICE OF WATER RESOURCES  
FRESHWATER WETLANDS PROGRAM  
APPROVED WITH CONDITIONS  
AS SPECIFIED IN THE LETTER OF APPROVAL  
DATED APR 27 2016 FILE # 16-029  
NO CHANGES ALLOWED WITHOUT PRIOR APPROVAL  
APPROVED PLANS MUST BE AT CONSTRUCTION SITE

33 Broad Street | One Weybosset Hill | Floor 7  
Providence, Rhode Island 02903  
800.985.7897 | www.woodardcurran.com



ROBERT S. LITTLE  
0169  
REGISTERED PROFESSIONAL ENGINEER  
No. 10169

REV	REGULATORY COMMENTS	DATE
1		03/24/16

CHECKED BY: MAP  
DRAWN BY: HCP  
212636-29-C-300-DET.dwg

**SITE DETAILS**

CUMBERLAND WATER  
DEPARTMENT SCHOFIELD FARM  
CUMBERLAND, RHODE ISLAND

WETLAND PERMIT  
APPLICATION

JOB NO.: 212636.29  
DATE: JANUARY 2016  
SCALE: AS SHOWN  
SHEET: 5 OF 5

**C-300**

I:\projects\212636\Cumberland RI General Eng Services for Water\Map\Task Order 29 - Groundwater Well Exploration - Phase 2 Drawings\Schofield Farm\Curren\212636-29-C-300-DET.dwg, Mar 24, 2016 - 4:22pm