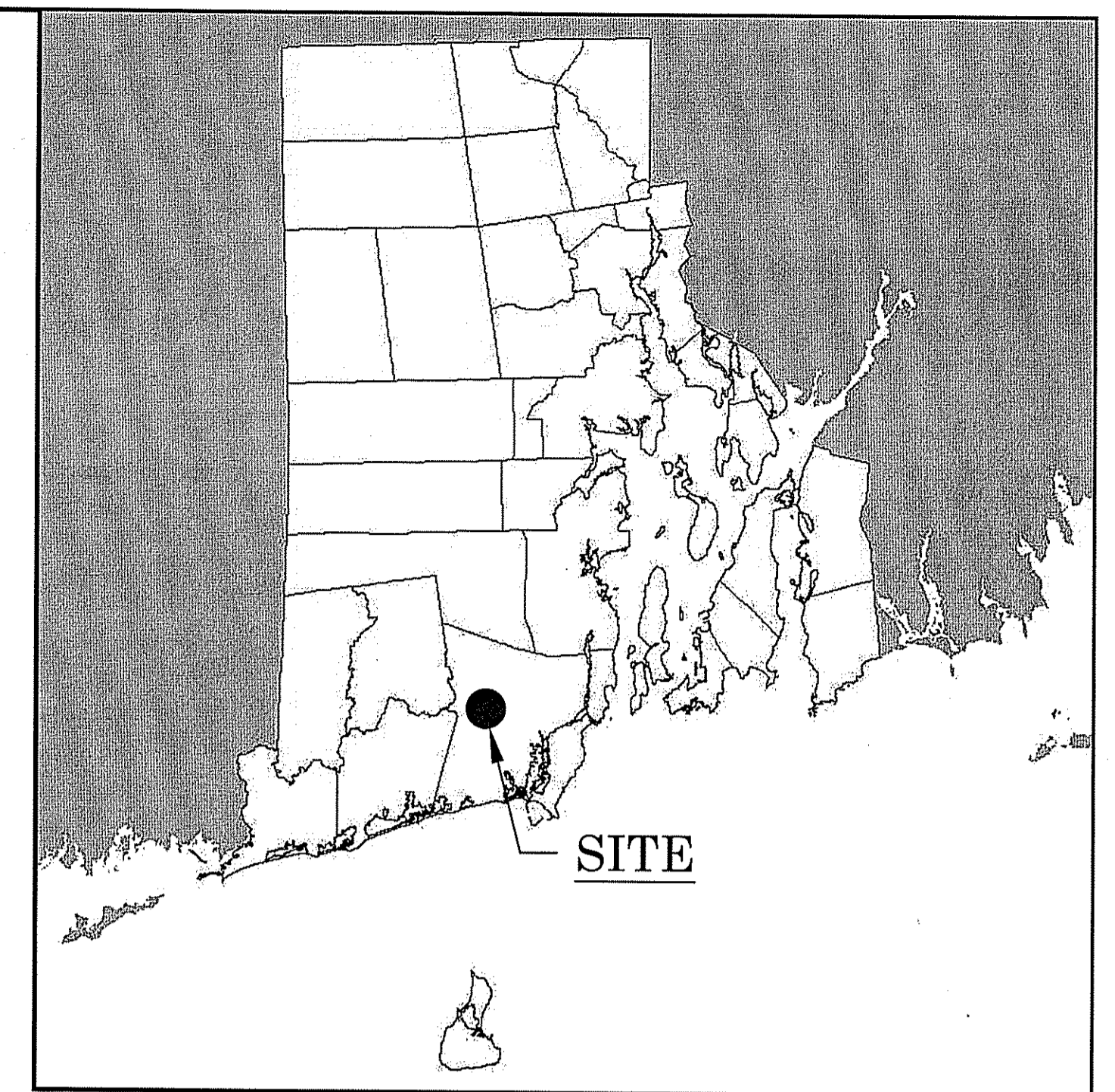
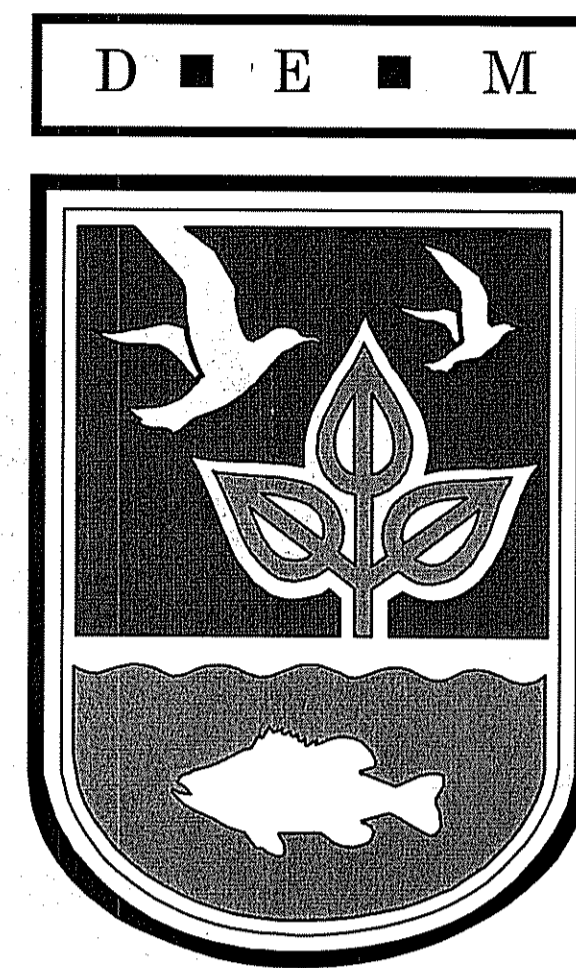


LOCUS MAP
NOT TO SCALE



PROJECT LOCATION
NOT TO SCALE

STATE OF RHODE ISLAND



DEPARTMENT OF ENVIRONMENTAL MANAGEMENT

DIVISION OF PLANNING AND DEVELOPMENT

SHOOTING RANGE EXPANSION GREAT SWAMP MANAGEMENT AREA

WEST KINGSTON, RHODE ISLAND

P&D CONTRACT NUMBER 3-16

MARCH, 2016

DEPARTMENT OF ENVIRONMENTAL MANAGEMENT
OFFICE OF WATER RESOURCES
FRESHWATER WETLANDS PROGRAM
REVIEWED WETLANDS APPLICATION NO. 16-0062
DATED MAY 2 2016
SEE LETTER OF SAME DATE.

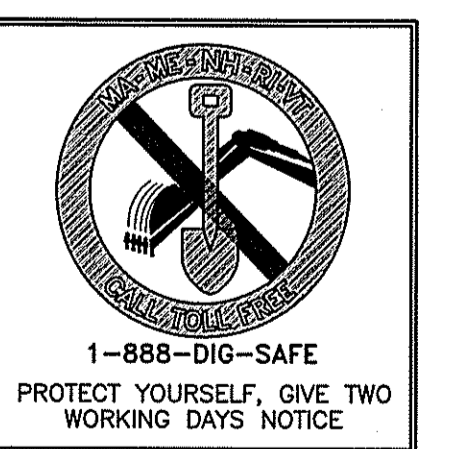
Charles H. [Signature]

- LIST OF DRAWINGS
C1 - EXISTING CONDITION AND DEMOLITION PLAN
C2 - PROPOSED SITE PLAN

PERMIT SET

NOT FOR CONSTRUCTION

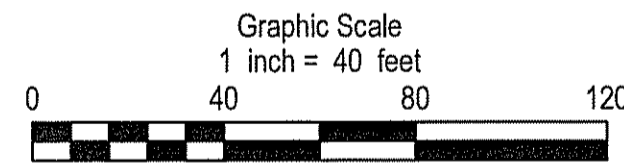
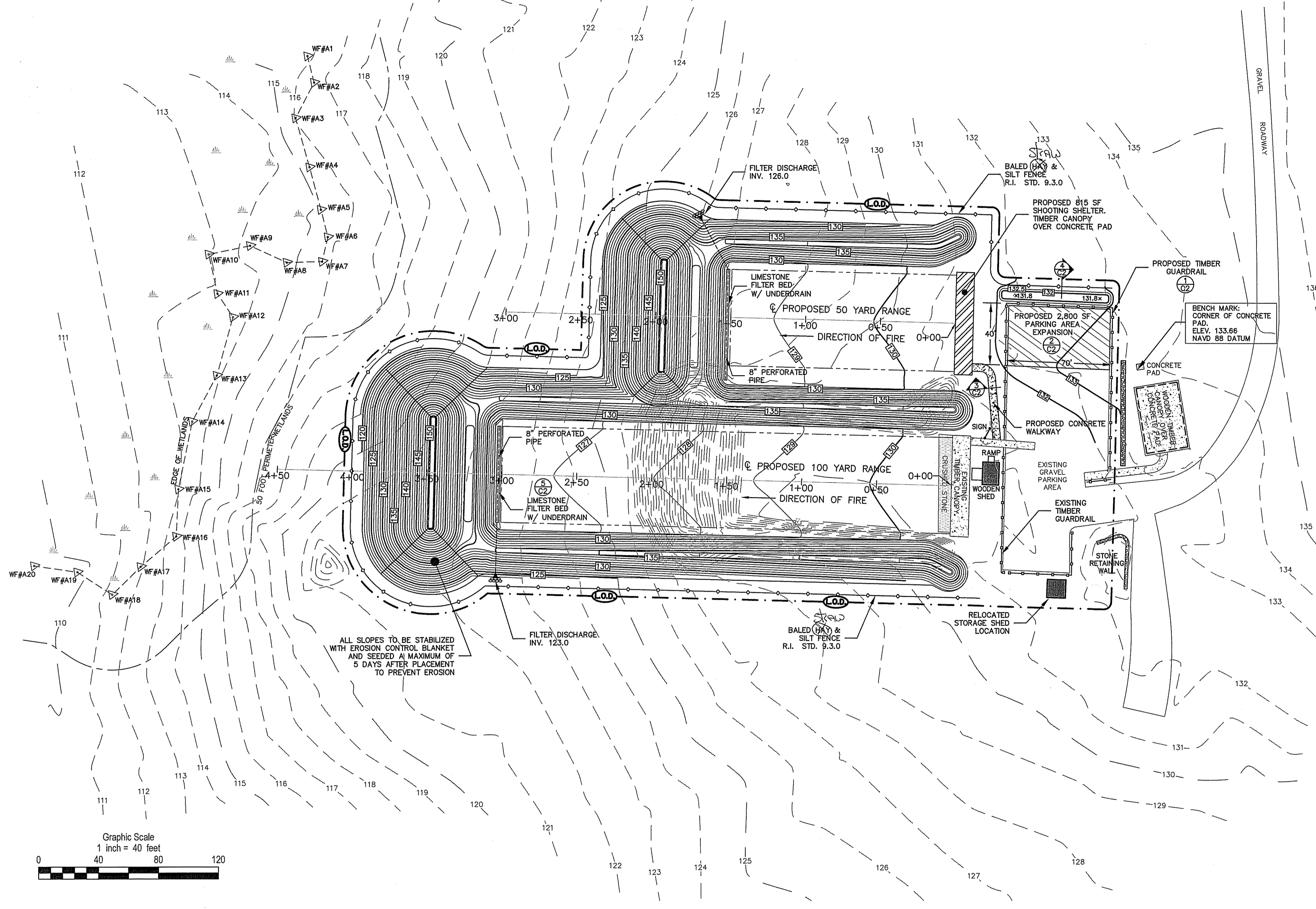
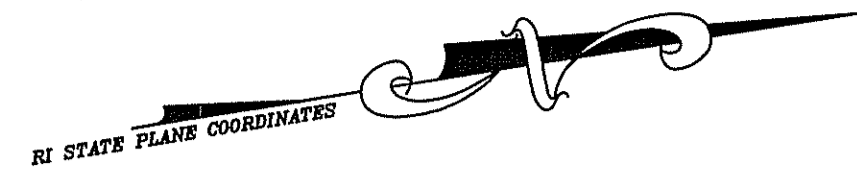
MAR 21 2016



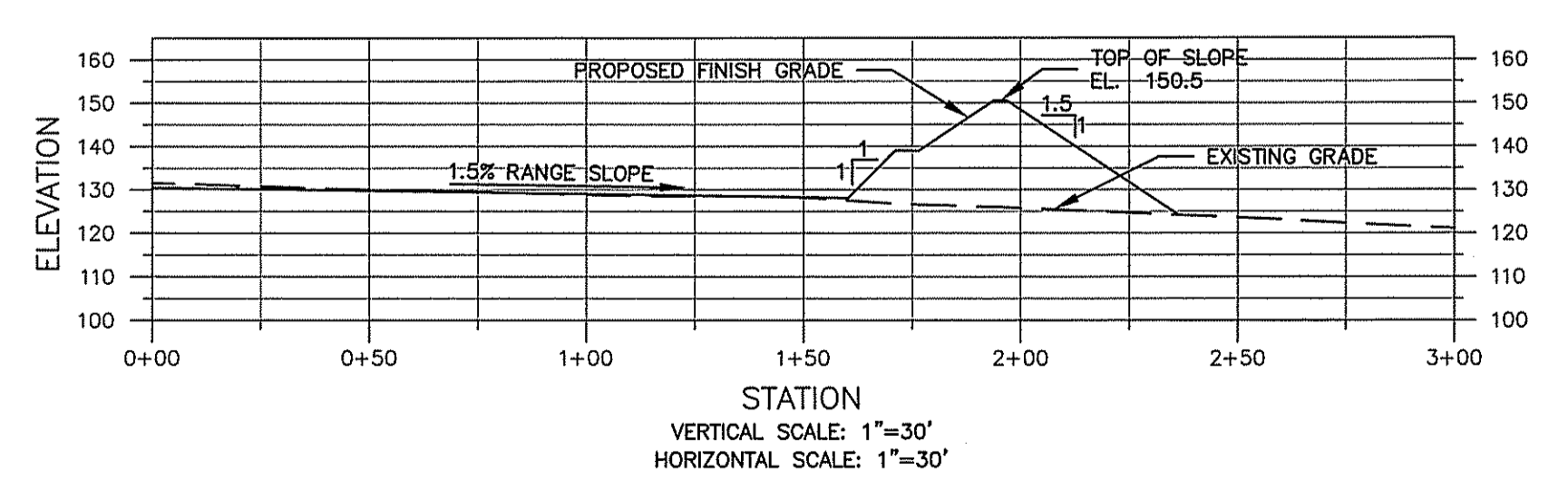
| |
|---|
| APPROVED BY _____ RIDEM DIRECTOR |
| APPROVED BY _____ RIDEM ASSOCIATE DIRECTOR |
| APPROVED BY _____ RIDEM CHIEF, DIVISION PLANNING & DEVELOPMENT |
| APPROVED BY _____ RIDEM CHIEF, OPERATING DIVISION |



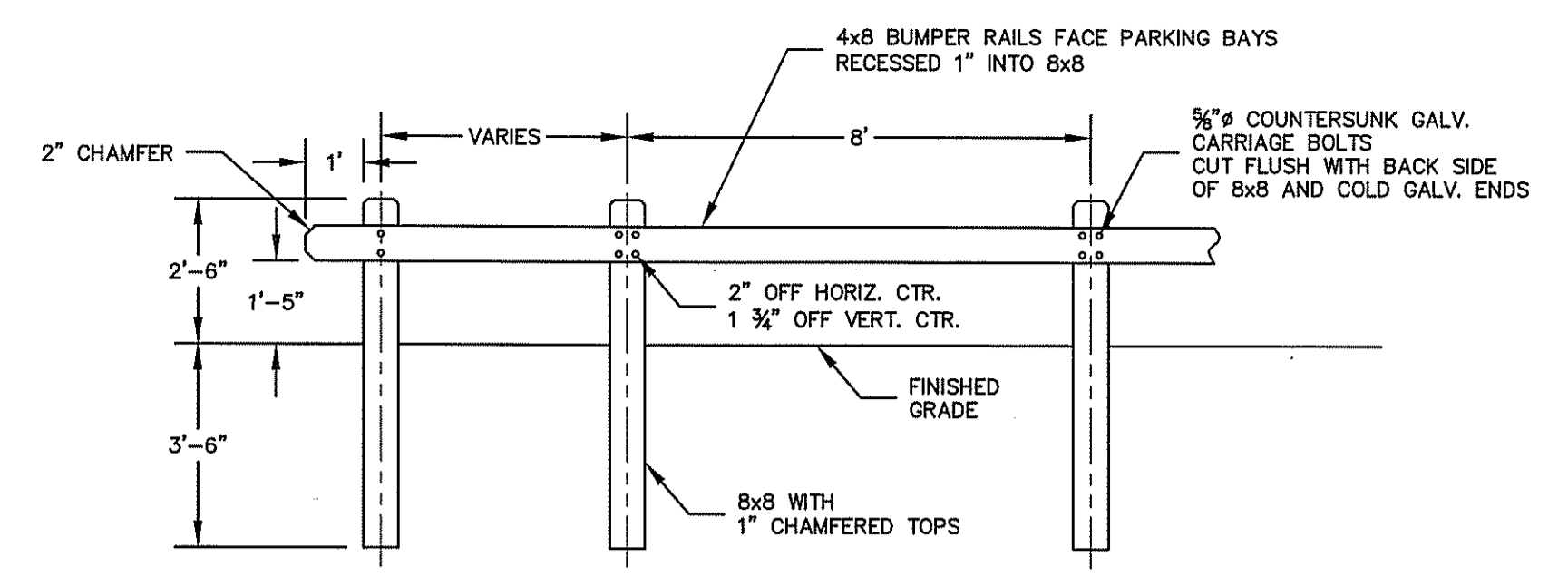
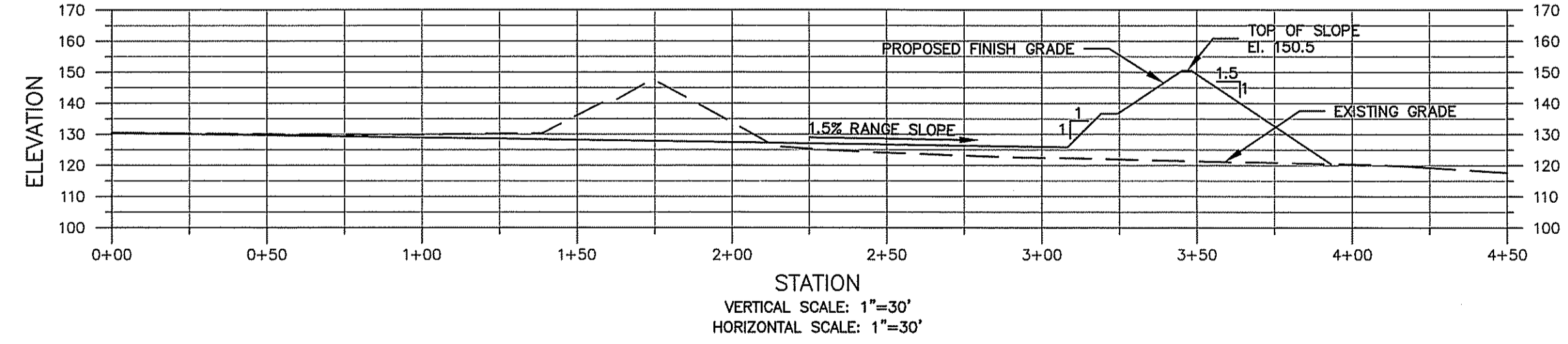
JAMES MCGINN
REGISTERED PROFESSIONAL ENGINEER
3/16/16



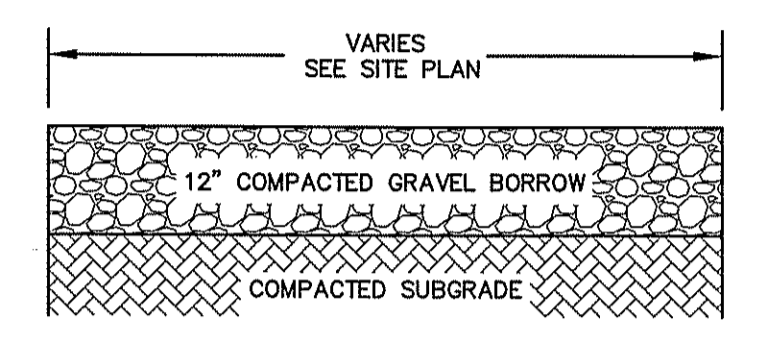
PROFILE OF PROPOSED 50YD RANGE



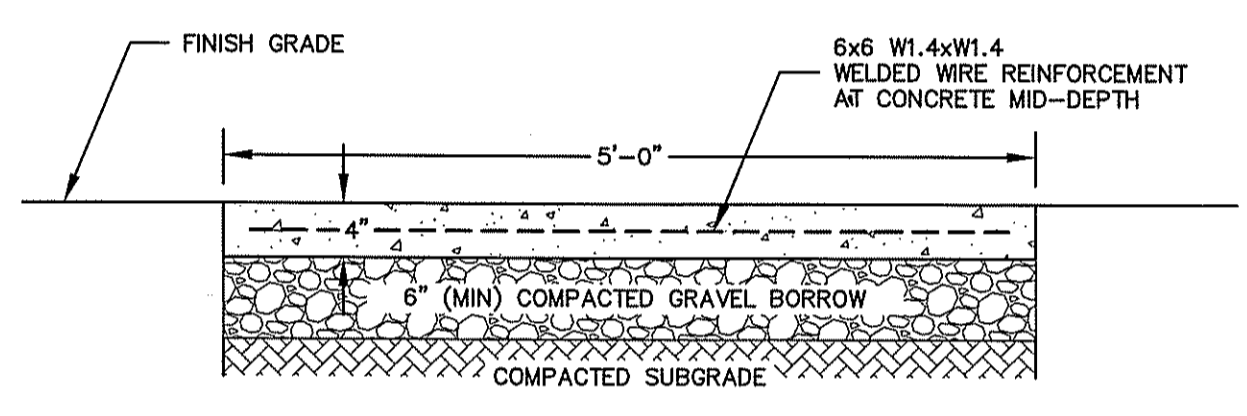
PROFILE OF PROPOSED 100YD RANGE



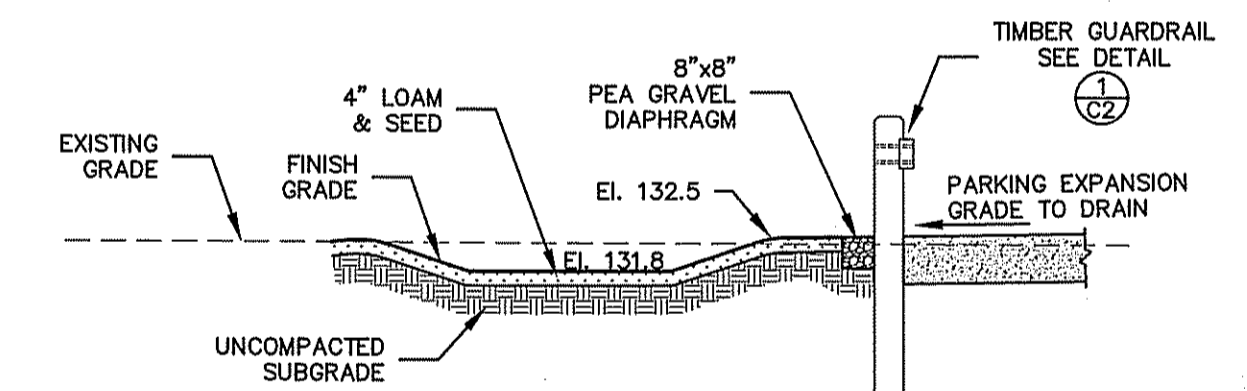
1 TIMBER GUARDRAIL DETAIL
C2 NOT TO SCALE



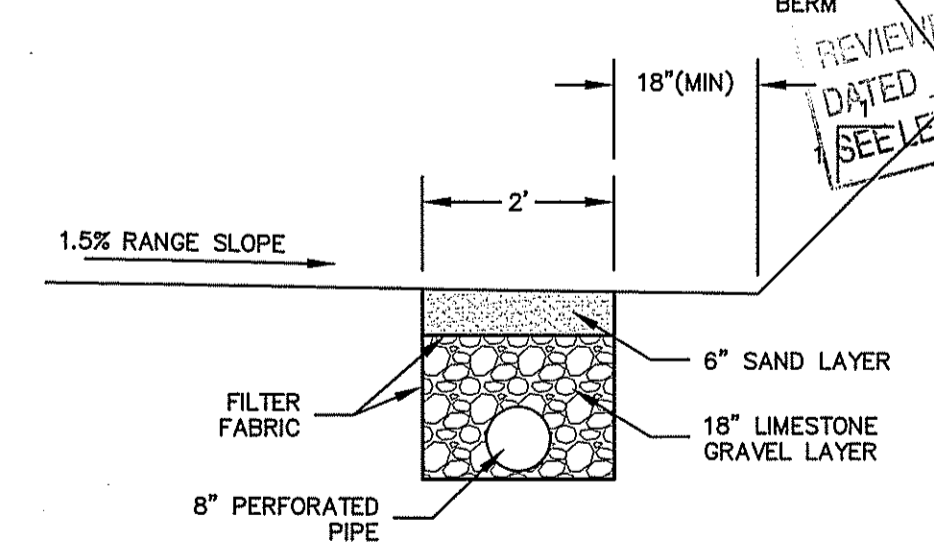
2 SECTION THRU PARKING AREA
C2 NOT TO SCALE



3 SECTION THRU CONCRETE WALKWAY
C2 NOT TO SCALE



4 GRASS FILTER DETAIL
C2 SCALE: 1"=4'-0"



5 LIMESTONE FILTER BED DETAIL
C2 SCALE: 1"=2'-0"

DEPARTMENT OF ENVIRONMENTAL MANAGEMENT
OFFICE OF WATER RESOURCES
FRESHWATER WETLANDS PROGRAM
REVIEWED SITE PLAN APPLICATION NO: 16-002
DATED MAY 2 2016
SEE LETTER OF SAME DATE.

Chris A. Heston
MAY 2 2016

PERMIT SET

NOT FOR CONSTRUCTION

| No. | Description | Date |
|------------|-------------|------|
| REVISIONS: | | |

STATE OF RHODE ISLAND
DEPARTMENT OF ENVIRONMENTAL MANAGEMENT
DIVISION OF PLANNING AND DEVELOPMENT

The Nature Conservancy
Protecting nature. Preserving life.

SHOOTING RANGE EXPANSION
GREAT SWAMP MGT AREA
WEST KINGSTON, RI

Design by: AFA
Drawn by: AFA
Checked by: JDM
Date: March, 2016
Scale: As Noted
Project No.: 03-16

JAMES D. MCGINN
REGISTERED PROFESSIONAL ENGINEER
(CIVIL)
3118116

PROPOSED SITE PLAN

C2
SHEET 3 OF 3