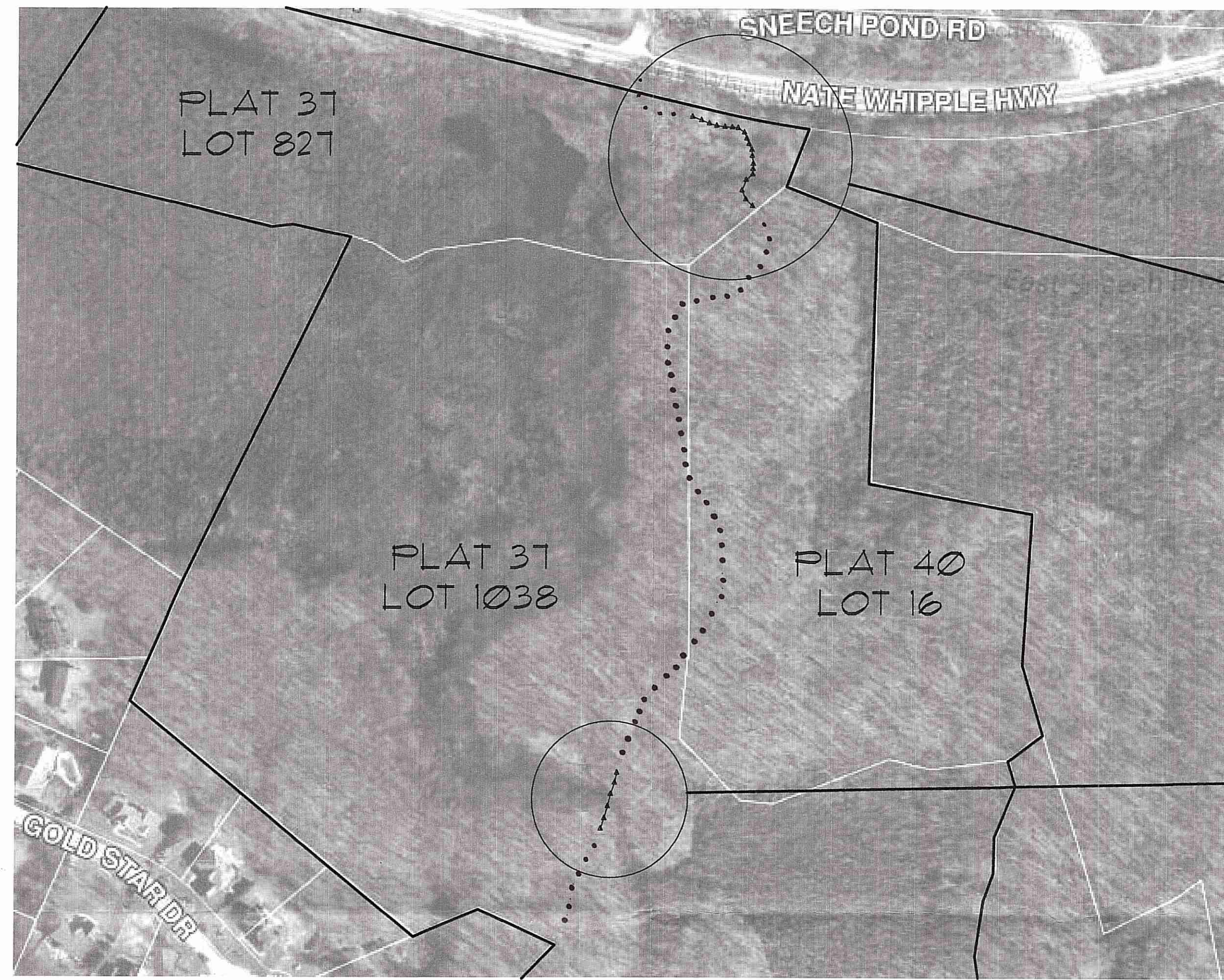


CumberlandLandTrust - 09-2016.dwg

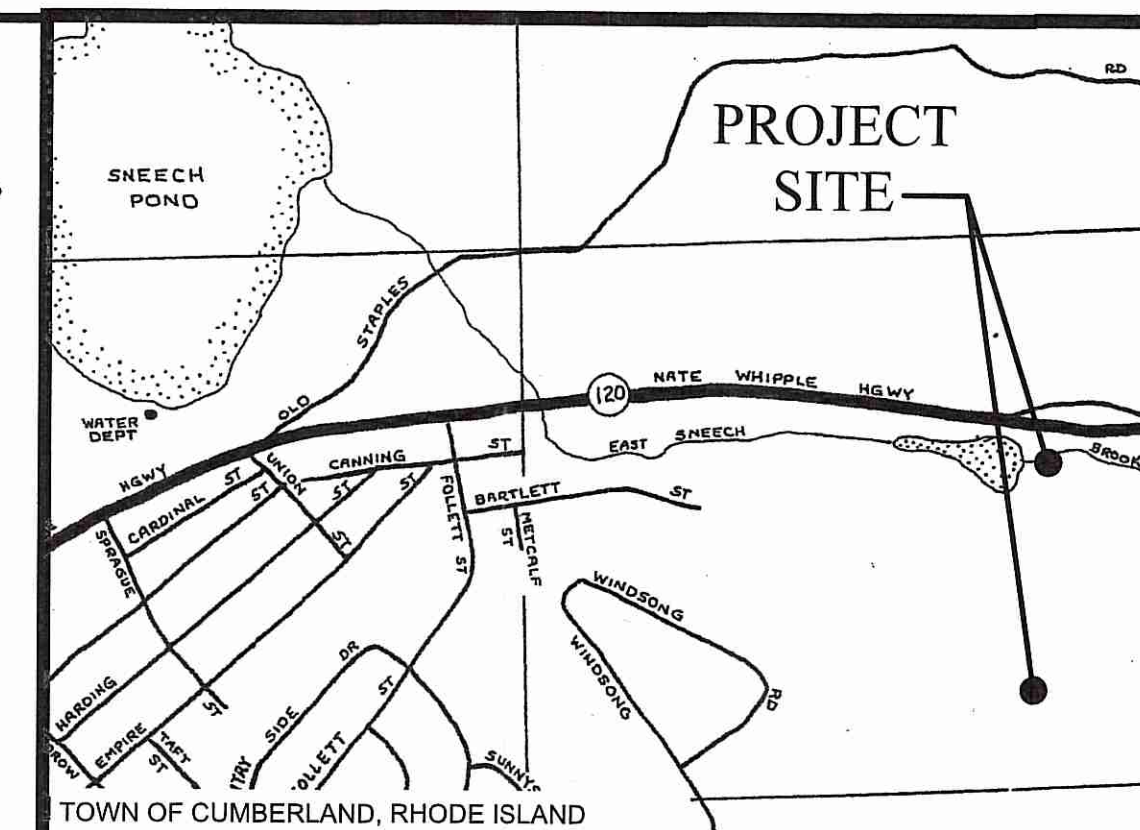


AERIAL PHOTO

NOT TO SCALE

PROPOSED WORK:

- A. FLEXIBLE POND LEVELER: THE LOCATION OF THIS STRUCTURE MAY BE ADJUSTED FROM YEAR TO YEAR, DEPENDING ON BEAVER ACTIVITY.
- B. BOARDWALKS (NORTH & SOUTH): TO BE COMPOSED OF A CONFIGURATION OF 12-FOOT & 18-FOOT SECTIONS AS NEEDED TO TRAVERSE THE WETLAND AREA.



LOCUS MAP
NOT TO SCALE

No.	Revisions	Date:

REFERENCES:
G.P.S. COORDINATES PROVIDED BY ROY NAJECKI FOR APPROXIMATE STAKE LOCATIONS.



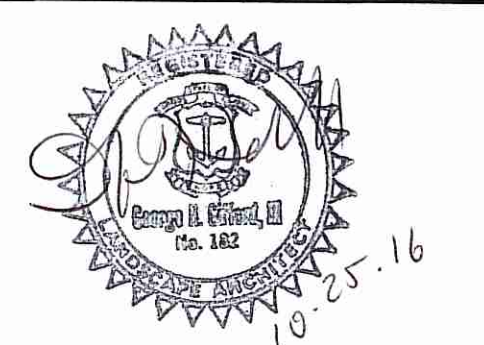
WHITE CEDAR SWAMP & BURLINGAME PRESERVES

A.P. 37, LOTS 827 & 1038; A.P. 40, LOT 16
CUMBERLAND, RI

OWNER:
CUMBERLAND LAND TRUST

APPLICANT:
CUMBERLAND LAND TRUST

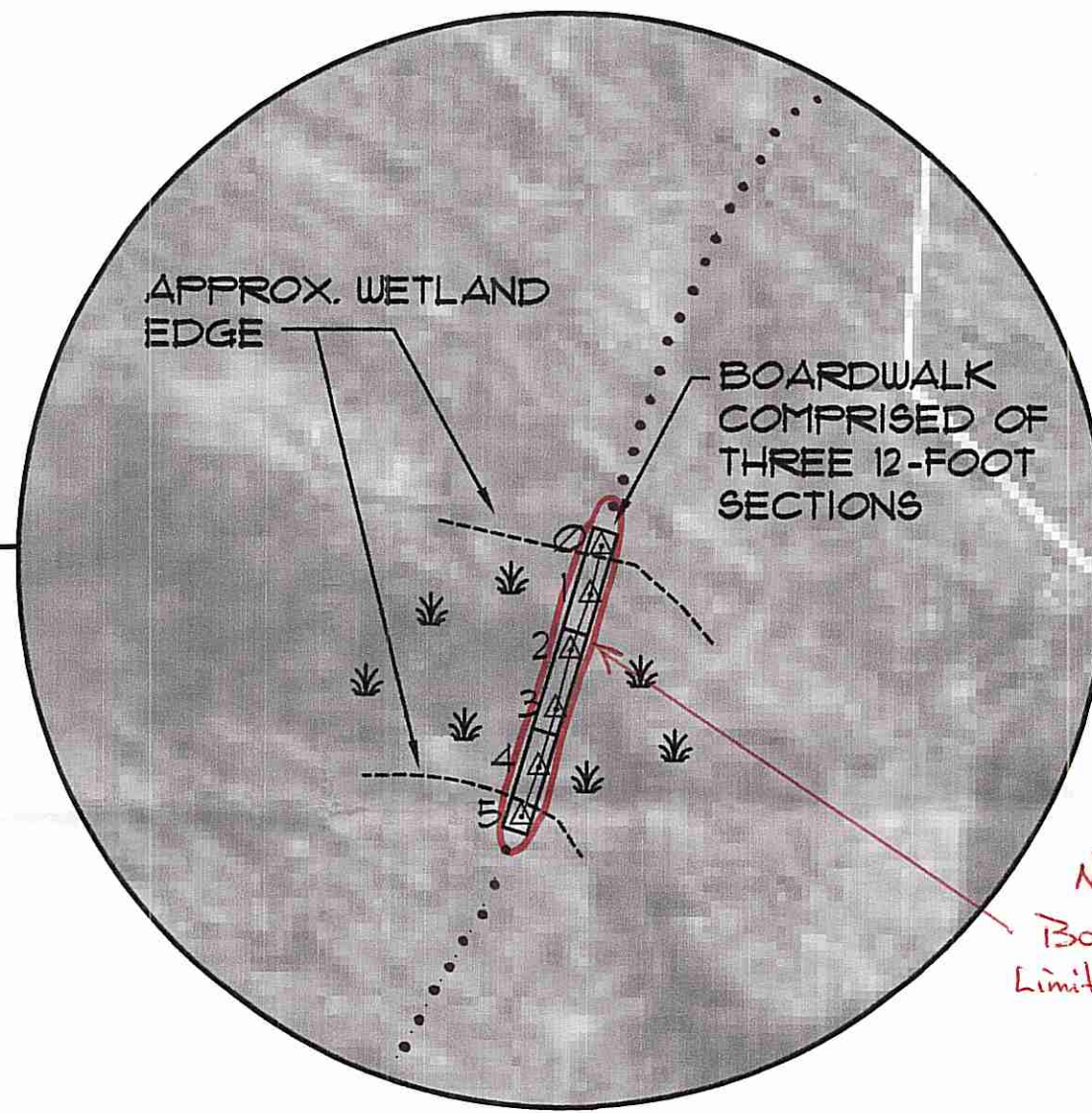
THE GIFFORD DESIGN GROUP, Inc.
LANDSCAPE ARCHITECTURE
ENVIRONMENTAL PLANNING
4096 MENDON ROAD, CUMBERLAND, RHODE ISLAND 02864
PHONE (401) 671-6336 FAX (401) 671-6466



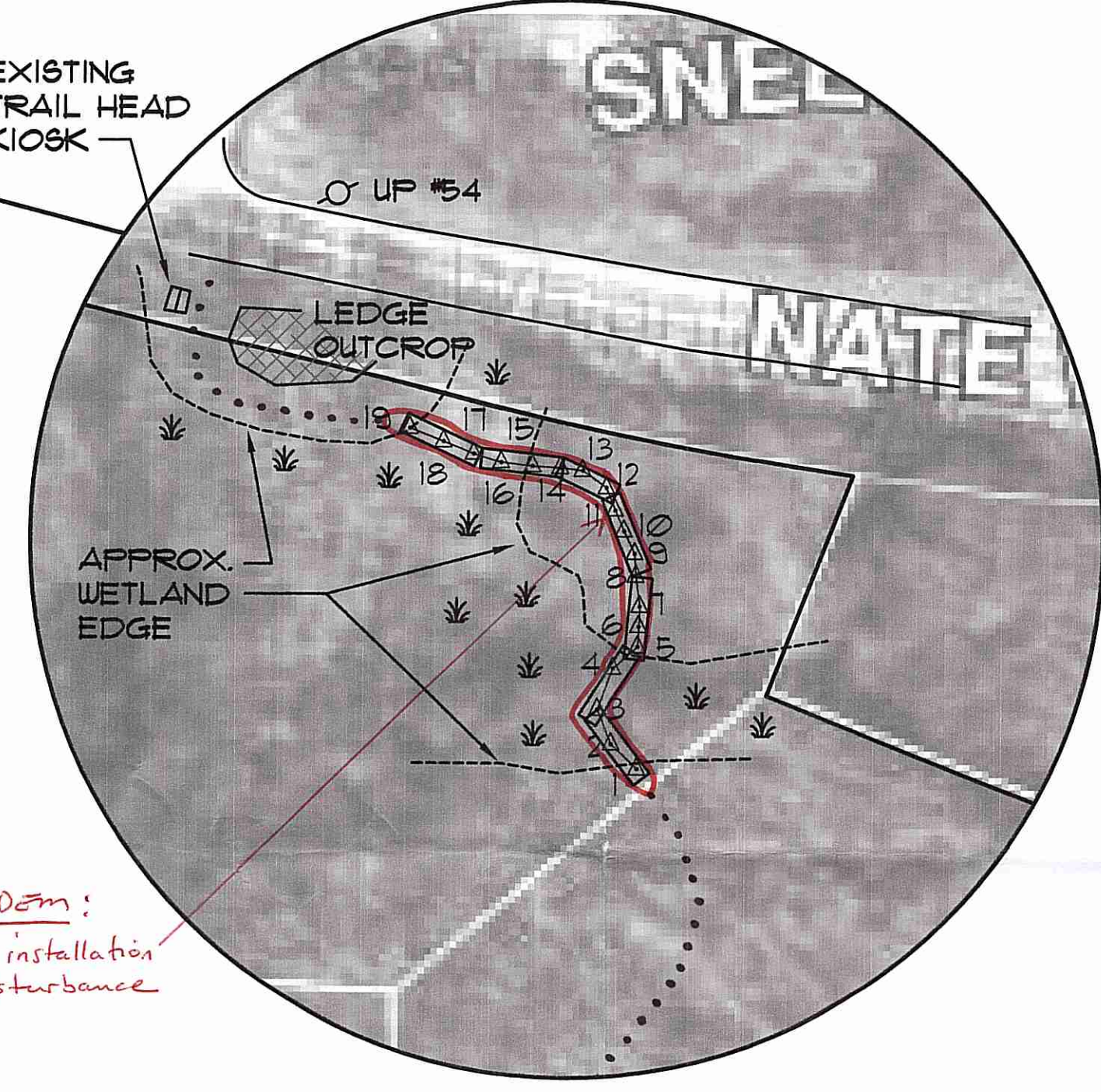
Environmental Management
NOV 1 2016
Office of Water Resources

BEAVER MANAGEMENT PLAN AND BOARDWALK INSTALLATIONS

PROJECT NO.	DRAWING 1 OF 1
DATE: MAY 2016	DRAWING NO: 1
SCALE: NOT TO SCALE	
DRAWN BY: CB	
CHECKED BY: GHG	



SOUTH BOARDWALK



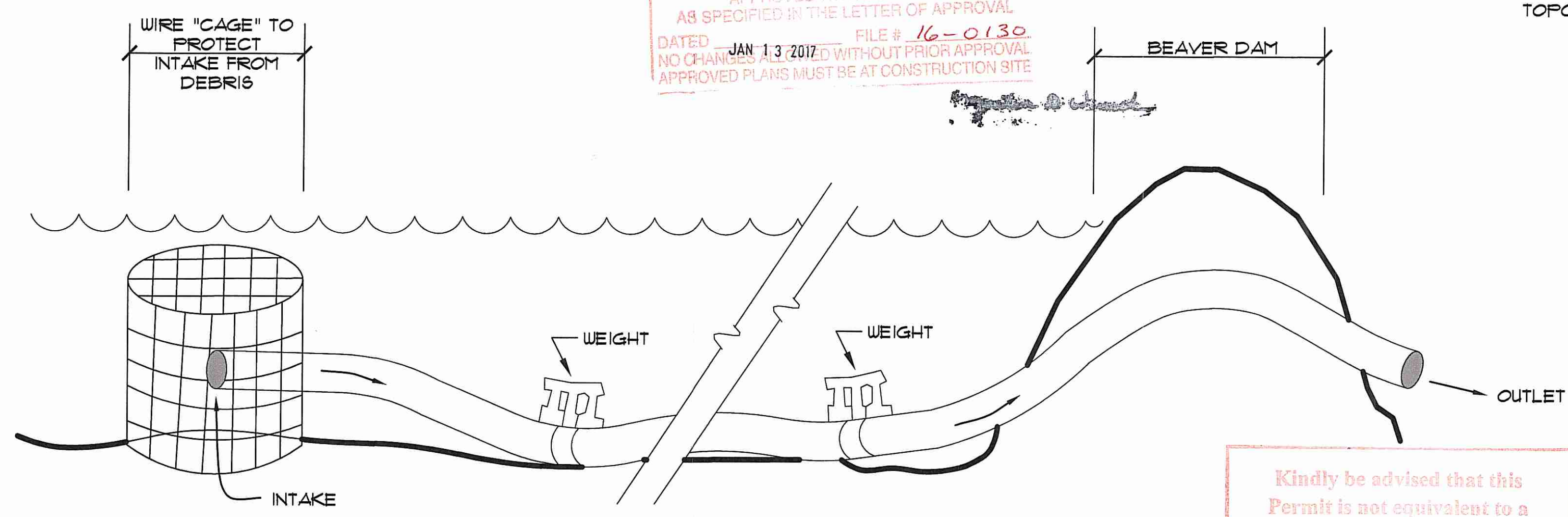
NORTH BOARDWALK

NOTES:

- 1. BOARDWALKS SHALL BE CONSTRUCTED ON "SLEEPERS" PLACED ON THE EXISTING SOIL SURFACE.
- 2. THERE WILL BE NO ALTERATION OF THE EXISTING TOPOGRAPHY.

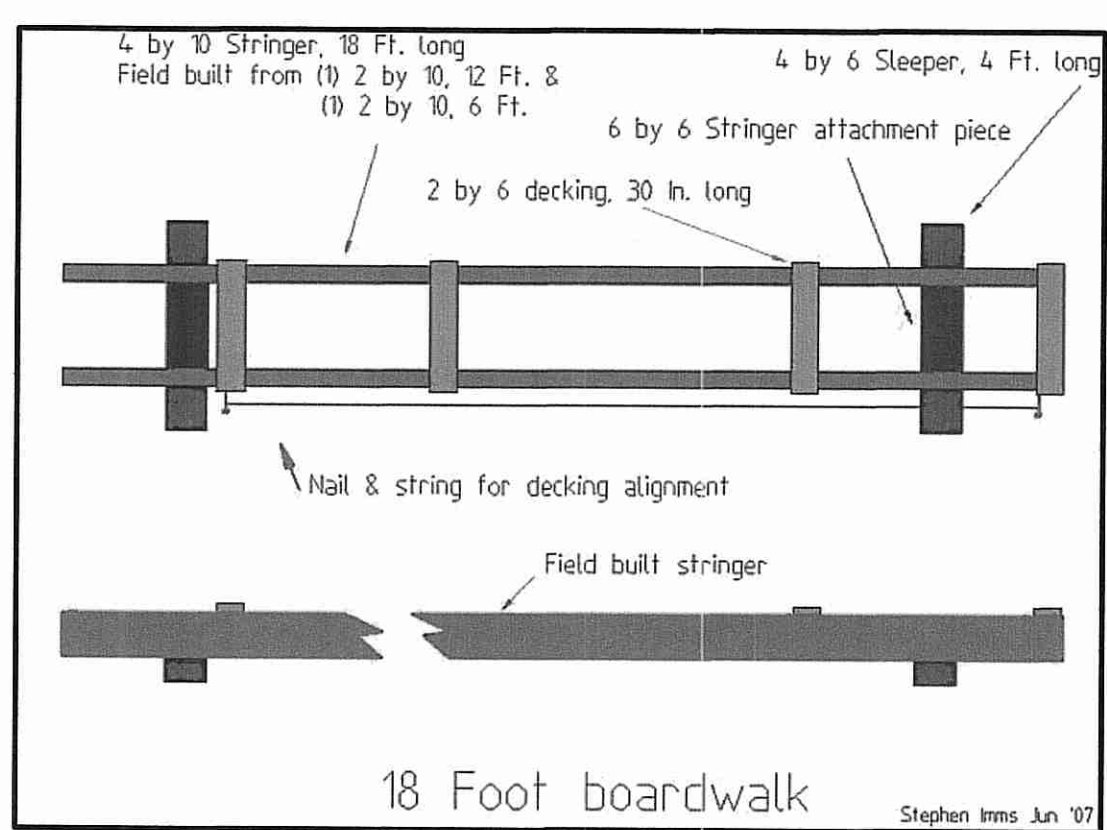
LEGEND

- EXISTING TRAIL
- 1A 2A 3A STAKE LOCATIONS SET IN THE FIELD
- [Symbol] PROPOSED BOARDWALK
- [Symbol] EXISTING WETLAND AREA (APPROX.)



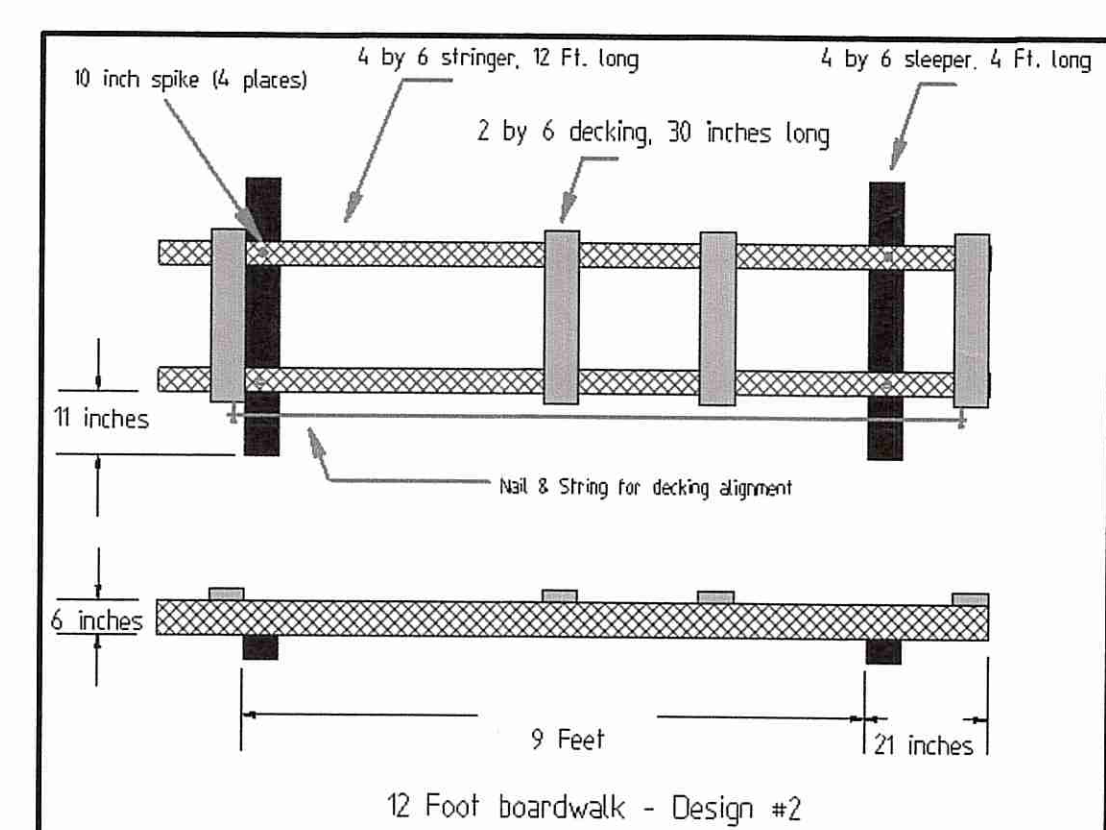
FLEXIBLE POND LEVELER

NOT TO SCALE



BOARDWALK CONSTRUCTION
18 FOOT TYPE (TYP.)

NOT TO SCALE



BOARDWALK CONSTRUCTION
12 FOOT TYPE (TYP.)

NOT TO SCALE

© 2016 GIFFORD DESIGN GROUP, Inc.