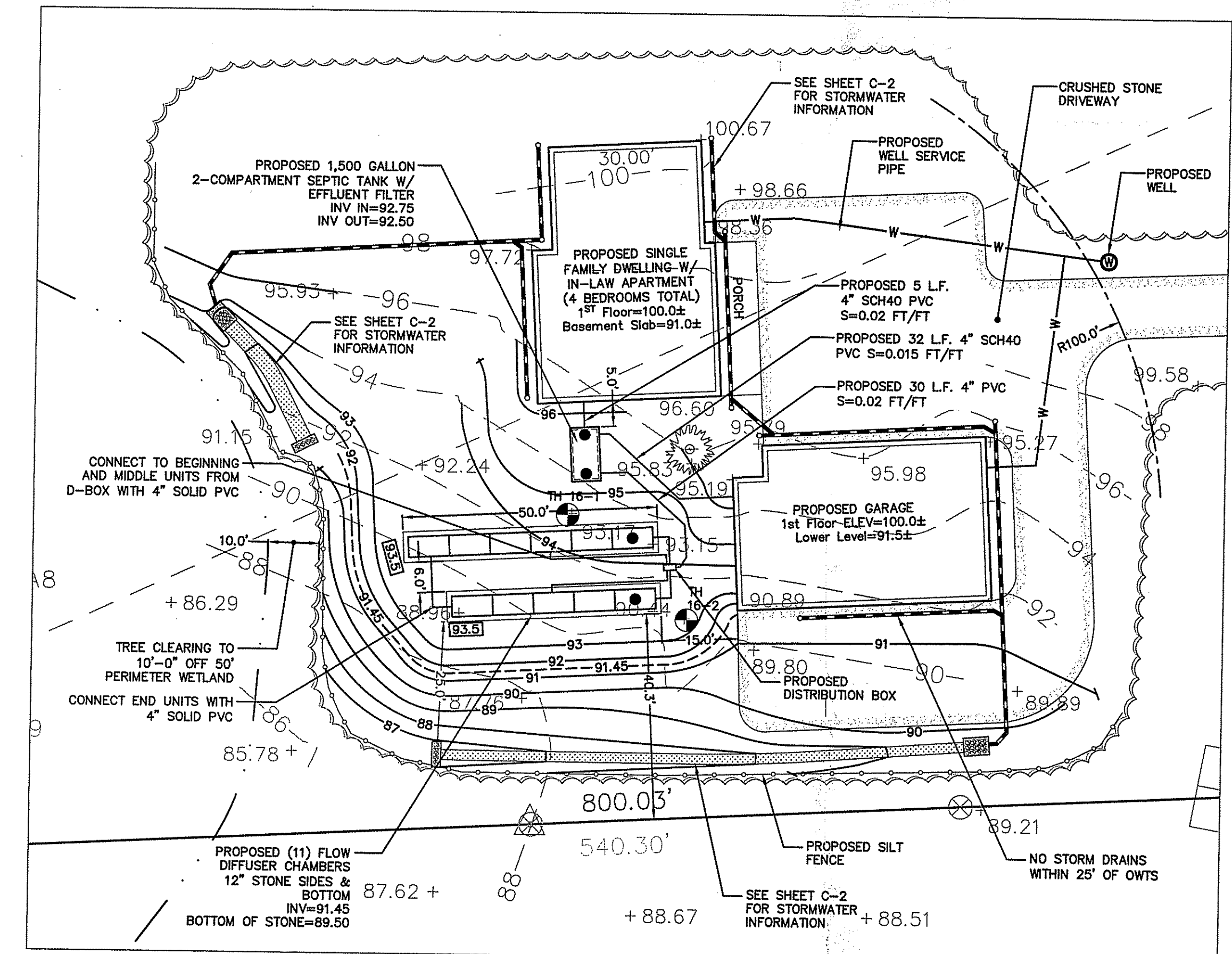
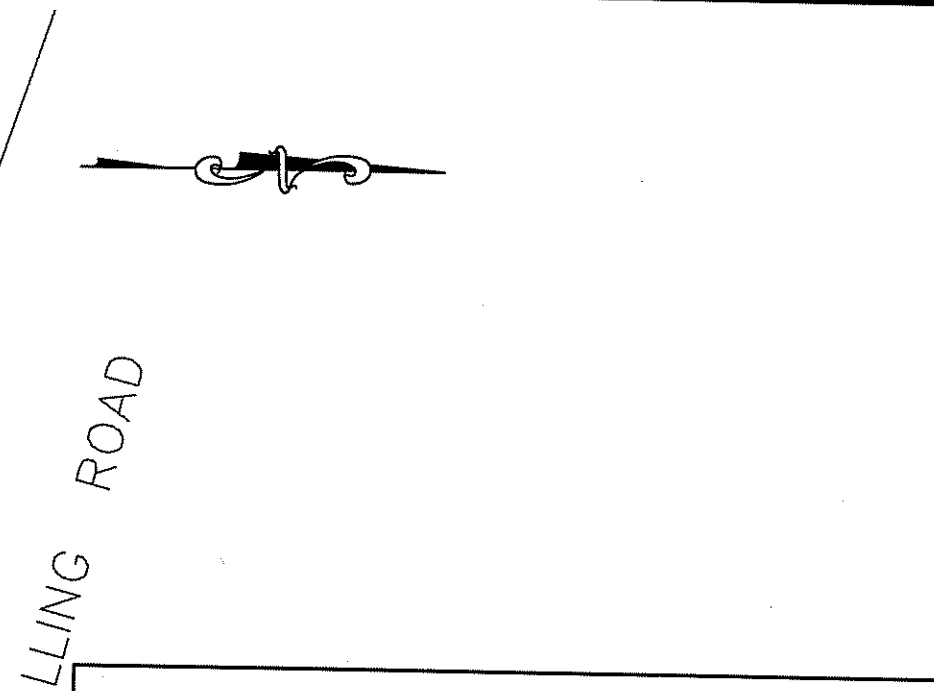


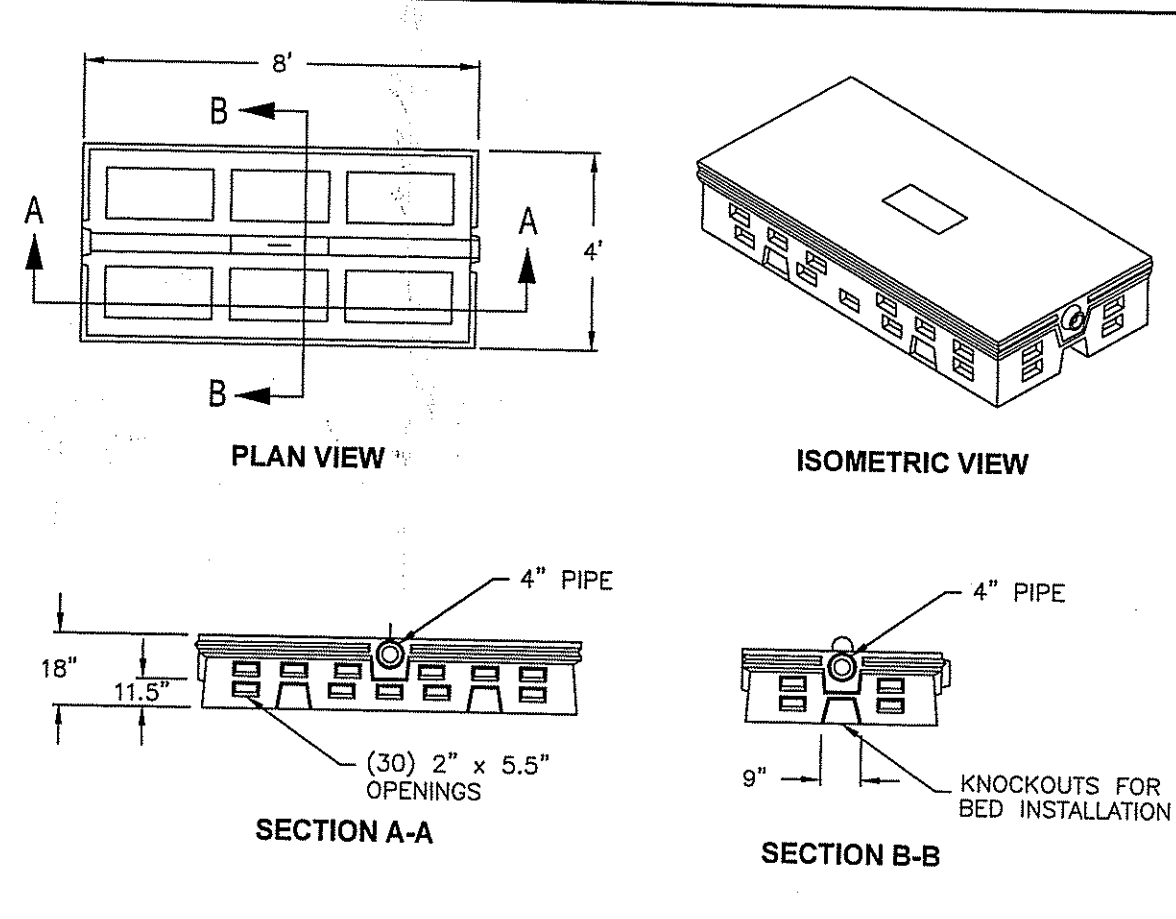
**Overall Site Plan**  
1"=50'  
0 50 100 150



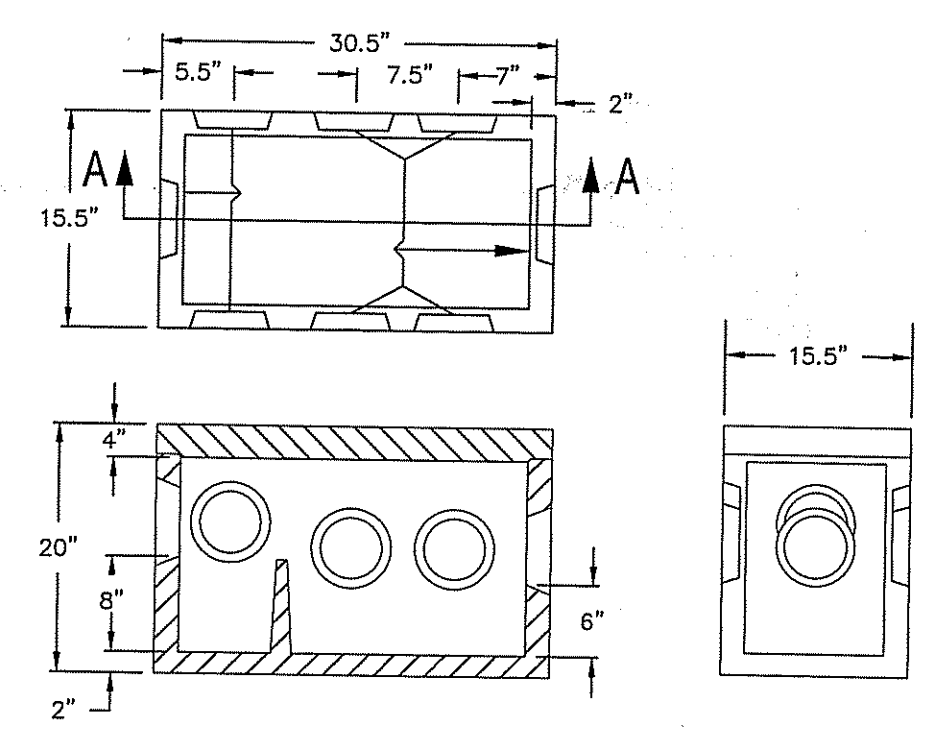
**OWTS Detail Plan**  
1"=20'  
0 20 40 60



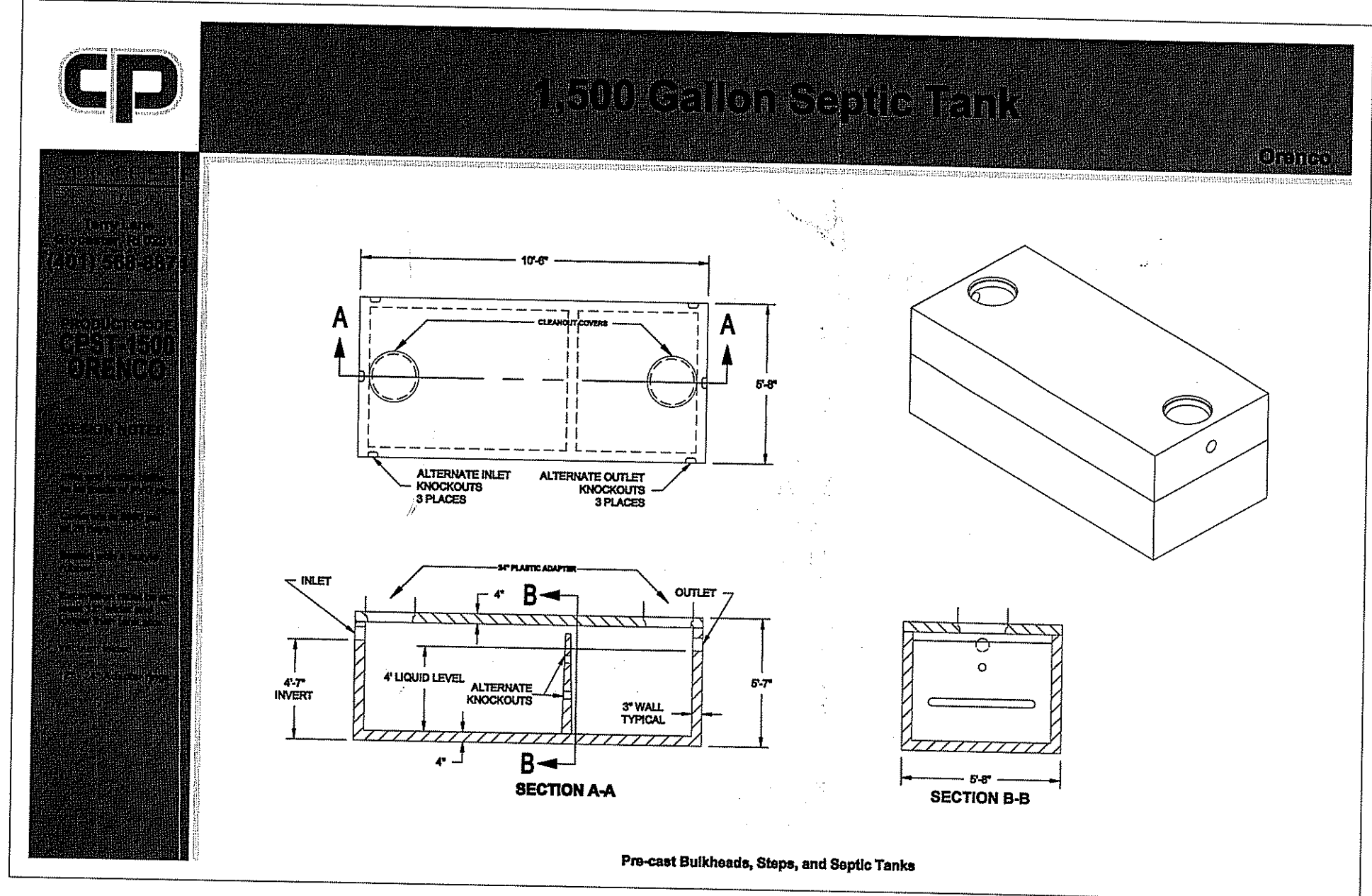
**ZABEL A1800 EFFLUENT FILTER**  
NOT TO SCALE



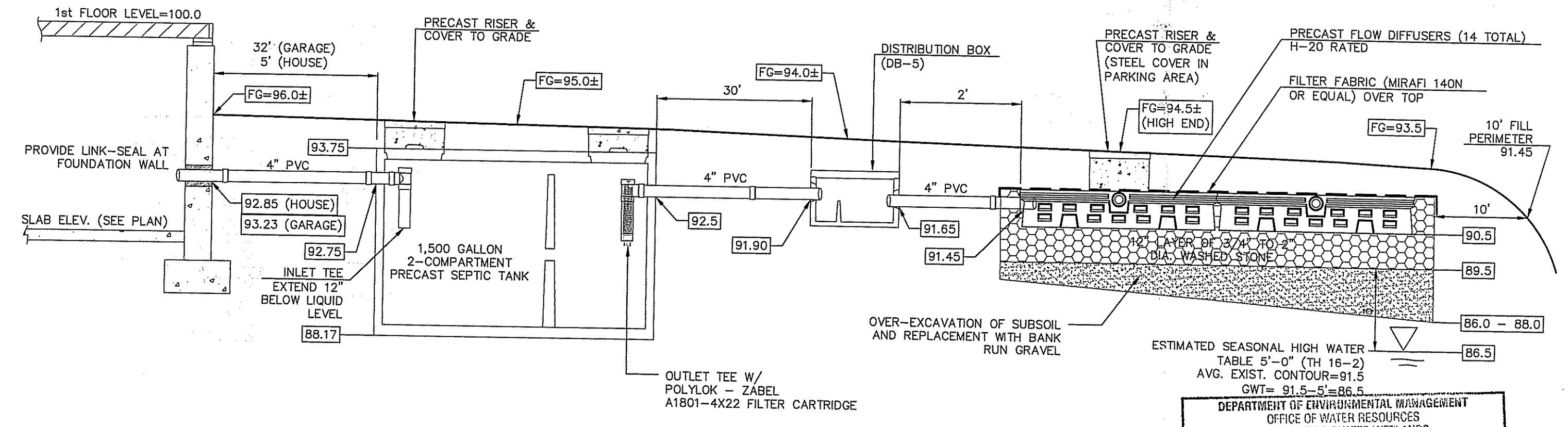
**PRECAST FLOW DIFFUSER (H2O RATED)**  
N.T.S.



**DB-5 DISTRIBUTION BOX**  
N.T.S.



Pre-cast Bulkheads, Steps, and Septic Tanks



**On-Site Wastewater Treatment System Profile**  
N.T.S.

**OWTS Design Calculation**

DESIGN DATA	
1.	FOUR (4) BEDROOMS X 115 GAL/DAY= 460 GALLONS PER DAY
2.	LOADING RATE BASED ON SOIL CATEGORY 4 = 0.61 GAL/S.F./DAY
3.	460 GPD / 0.61 GAL/S.F./DAY = 754 S.F. LEACHING AREA REQUIRED
LEACHFIELD SIZING USING FLOW DIFFUSERS (12" STONE BELOW)	
1.	FOUR (4) END CHAMBERS = 4 X 78 S.F. PER CHAMBER = 312 S.F.
2.	754 S.F. - 312 S.F. = 442 S.F. / 64 S.F. PER MIDDLE CHAMBER = 7 MIDDLE CHAMBERS REQUIRED
3.	TOTAL FLOW DIFFUSERS REQUIRED = 4 + 7 = 11 CHAMBERS (760 S.F. OF LEACHING AREA)

- General Notes:**
- THIS PLAN IS NOT TO BE CONSIDERED A PROPERTY LINE SURVEY PLAN. ALL EXISTING CONDITIONS AND TOPOGRAPHY IN THE AREA OF CONSTRUCTION WAS PROVIDED BY CANAVAN & ASSOCIATES, INC. 450 GEORGE WASHINGTON HIGHWAY, SMITHFIELD, RI 02917.
  - THE CONTRACTOR SHALL NOTIFY DIG-SAFE 72 HOURS PRIOR TO START OF CONSTRUCTION.
  - PROPER EROSION CONTROL MEASURES SHALL BE INSTALLED PRIOR TO EARTH DISTURBING ACTIVITIES. THIS SHALL INCLUDE SILT FENCE OR HAYBALES AT ALL DOWN GRADIENT AREAS, INLET PROTECTION OF CATCH BASINS, AND CRUSHED STONE CONSTRUCTION TRACKING PAD.
  - CONSTRUCTION WITHIN THE RIGHT-OF-WAY SHALL BE IN CONFORMANCE WITH RHODE ISLAND DEPARTMENT OF TRANSPORTATION AND MANUAL ON UNIFORM TRAFFIC CONTROL DEVICES.
  - THE INSTALLER SHALL INSTALL AND MAINTAIN ALL EROSION CONTROL MEASURES DEPICTED ON THIS PLAN.
  - THE INSTALLER SHALL NOTIFY THIS DESIGNER AT LEAST 24 HOURS PRIOR TO THE START OF CONSTRUCTION.
  - THE DESIGNER SHALL BE CONTACTED IF ANY DISCREPANCIES ARE FOUND IN THE FIELD.
  - THE INSTALLER SHALL CONTACT THE DESIGNER AT LEAST 24 HOURS IN ADVANCE FOR BOTTOM AND COVER INSPECTIONS.

- OWTS NOTES:**
- ALL DESIGN, CONSTRUCTION, AND MAINTENANCE REQUIREMENTS, WHETHER NOTED HERON OR NOT, SHALL BE IN CONFORMANCE WITH RULES AND REGULATIONS ESTABLISHING MINIMUM STANDARDS RELATING TO LOCATION, DESIGN, CONSTRUCTION AND MAINTENANCE OF ONSITE WASTEWATER TREATMENT SYSTEMS, JANUARY 1, 2008 AND ALL AMENDMENTS, BY THE RHODE ISLAND DEPT. OF ENVIRONMENTAL MANAGEMENT.
  - STRIP LEACHING AREA OUT TO 0 FEET AROUND ENTIRE PERIMETER AND EXCAVATE DOWN TO ELEVATION 88.0, REMOVING ALL TREES, BRUSH, TOPSOIL, SUBSOIL, UNDESIRABLE MATERIAL AND SOIL CONTAINING PINES. REPLACE WITH GRAVEL IF REQUIRED AS SPECIFIED IN RIDEM REGULATIONS.
  - INSTALLER MUST ASSURE THAT BOTTOM AND SIDES OF EXCAVATION FOR THE LEACHFIELD ARE NOT COMPACTED OR SMEARED.
  - ALL TREES, STUMPS, AND BRUSH SHALL BE REMOVED WITHIN 10 FEET OF THE SYSTEM.
  - MAINTAIN INVERT ELEVATION OF 91.45 FOR 10 FEET AROUND SYSTEM.
  - THERE ARE NO KNOWN PRIVATE WELLS OR DRAINS EXIST OR PROPOSED LOCATED WITHIN 200 FEET OF THE OWTS EXCEPT AS SHOWN AND NO KNOWN PUBLIC WELLS (EXIST. & PROP.) LOCATED WITHIN 500 FEET OF THE PROPOSED ISDS.
  - THERE ARE NO KNOWN SUBSURFACE DRAINS, EXISTING OR PROPOSED, WITHIN 50 FEET OF THE PROPOSED OWTS.
  - ALL PVC PIPE SHALL BE 4" DIA. SDR 35 OR EQUIVALENT, UNLESS NOTED OTHERWISE.
  - THE SEPTIC TANK SHALL HAVE TEES ON BOTH THE INLET AND OUTLET AND SHALL BE A TWO (2) COMPARTMENT TANK WITH THE 1ST COMPARTMENT CONSISTING OF 2/3 TANK CAPACITY.
  - THE DISTRIBUTION BOX SHALL HAVE A MINIMUM BOTTOM AREA OF 3 SQUARE FEET.
  - NO VEHICULAR TRAFFIC IS ALLOWED OVER THE LEACHFIELD.

**Advanced Civil Design, Inc.**  
SITE/CIVIL ENGINEERS  
7 COUNTRYSIDE LANE  
SCITUATE, RI 02857  
PH: (401) 473-4404

NO.	DATE	REVISION
2	12/10/2016	ADDRESS OWTS COMMENTS
1	9/5/2016	ADDRESS OWTS COMMENTS

**PROJECT TITLE:**  
PROPOSED SINGLE FAMILY DWELLING W/ IN-LAW  
A.P. 131 LOT 6 WALLING ROAD BURRILLVILLE, RI

**OWNER/APPLICANT:**  
DEBORA P. LEMAY

**DRAWING TITLE:**  
ON-SITE WASTEWATER TREATMENT SYSTEM PLAN & DETAILS

**DATE:** 5/20/2016 **DESIGNED BY:** C.S.R.  
**SCALE:** 1"=20' **CHECKED BY:** C.S.R.

**DRAWING NO.:**  
**C-1**

**SHEET 1 OF 2**

DEPARTMENT OF ENVIRONMENTAL MANAGEMENT  
OFFICE OF WATER RESOURCES  
OWTS & FRESHWATER WETLANDS  
JOINT PERMIT APPROVAL  
OWTS# 1603-0320-PWW# 16-0284  
APPROVED: [Signature] DATE 12-19-16  
No Changes Allowed Without RIDEM Approval  
Approved Plans/Permits Must Be Kept at Construction Site

