

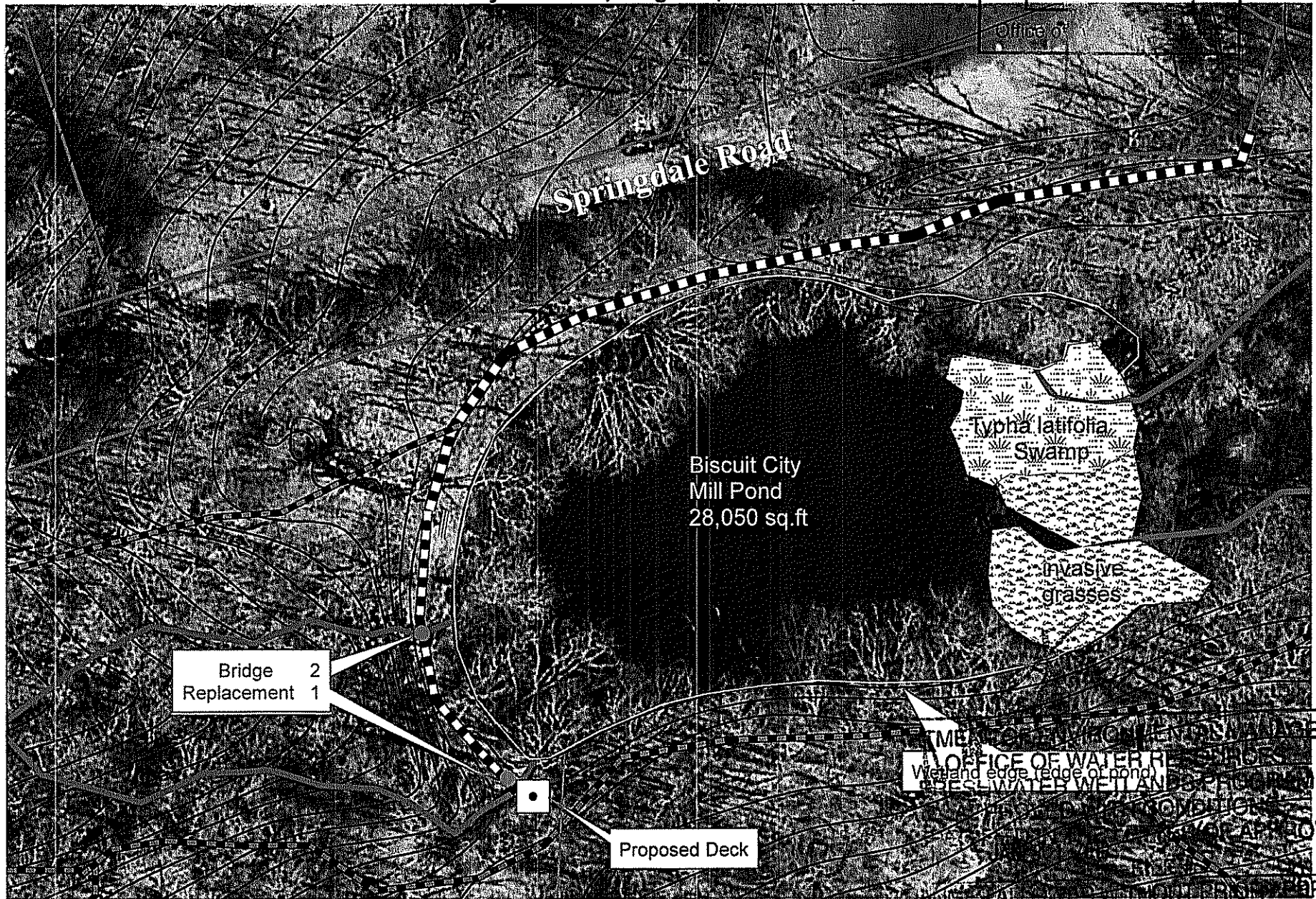
South Kingstown Land Trust

**Proposed DEM Recreational Grant Request
Handicap Accessibility Bridge and Trail Improvements
at Biscuit City Preserve, Kingston, RI. October, 2017**

Environmental Management

JAN 2 2018

Office of






Bridge 2
Replacement 1





Proposed Deck

OFFICE OF ENVIRONMENTAL MANAGEMENT
OFFICE OF WATER RESOURCES
Wetland edge, edge of pond
RESERVED WETLAND DESIGNATION
NO CONSTRUCTION
APPROVAL
18-000

Proposed Trail Improvements

Scale 1" = 50'

-  Resurface existing trail with 4" x 48" compressed stone sand
-  Replace existing plank bridges to grade
-  Construct new 10' x 12' turnaround deck for wheelchair access

-  Existing Trail at grade
-  Streams (3 ft widths)
-  Town of South Kingstown Tax Assessors Map
-  Town of South Kingstown 2' elevations

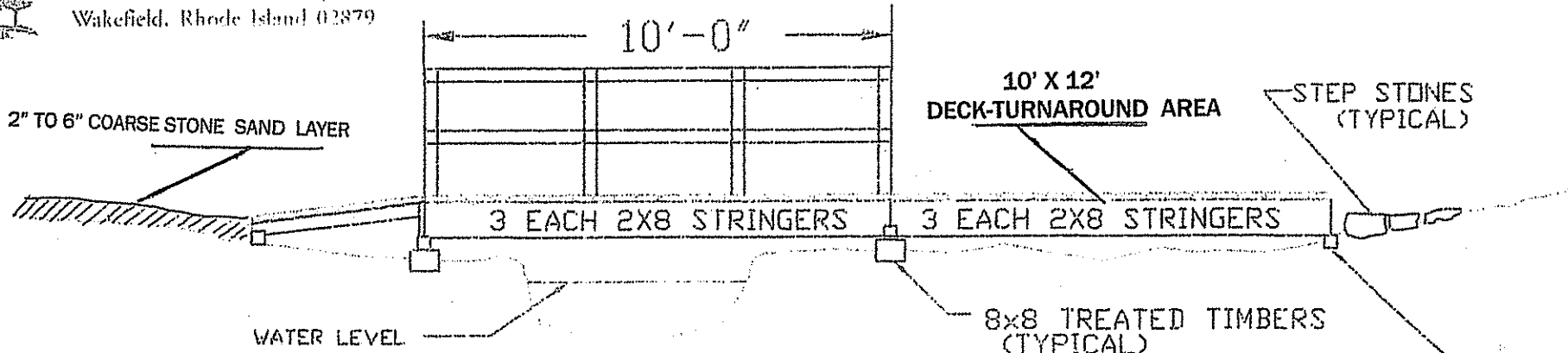
CHANGES ALLOWED WITHOUT PRIOR APPROVAL
APPROVED PLANS MUST BE AT CONSTRUCTION SITE



SOUTH KINGSTOWN LAND TRUST

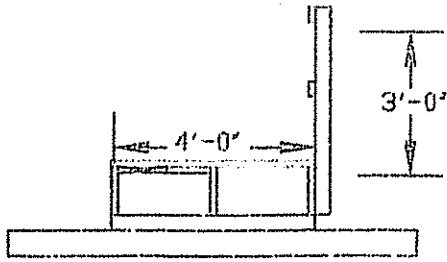
227 Robinson Street
Wakefield, Rhode Island 02879

10/16/2017



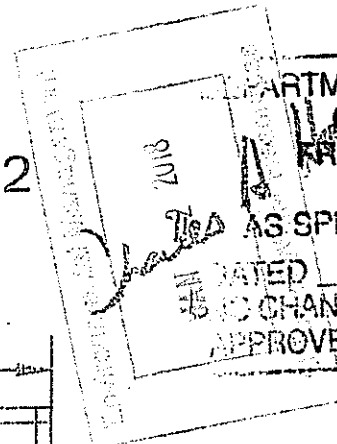
BRIDGE NO. 1

4x4 TREATED TIMBERS (TYPICAL)

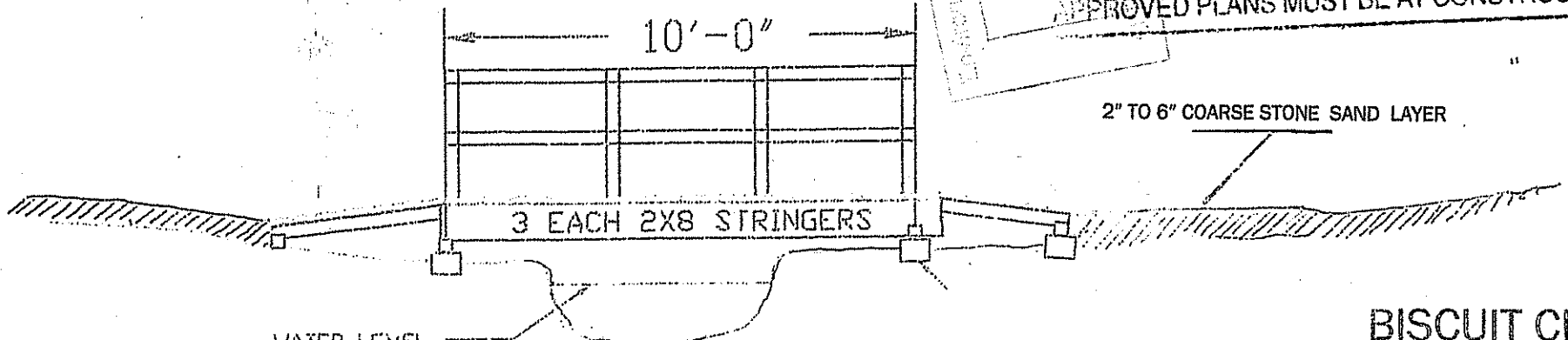


BRIDGE NO. 2

SECTION BOTH BRIDGES



DEPARTMENT OF ENVIRONMENTAL MANAGEMENT
 OFFICE OF WATER RESOURCES
 FRESHWATER WETLANDS PROGRAM
 APPROVED WITH CONDITIONS
 AS SPECIFIED IN THE LETTER OF APPROVAL
 DATED JAN 31 2018 FILE # 18-0001
 NO CHANGES ALLOWED WITHOUT PRIOR APPROVAL
 APPROVED PLANS MUST BE AT CONSTRUCTION SITE



BISCUIT CITY POND HANDICAP ACCESS TRAIL

**BISCUIT CITY
PRESERVE**