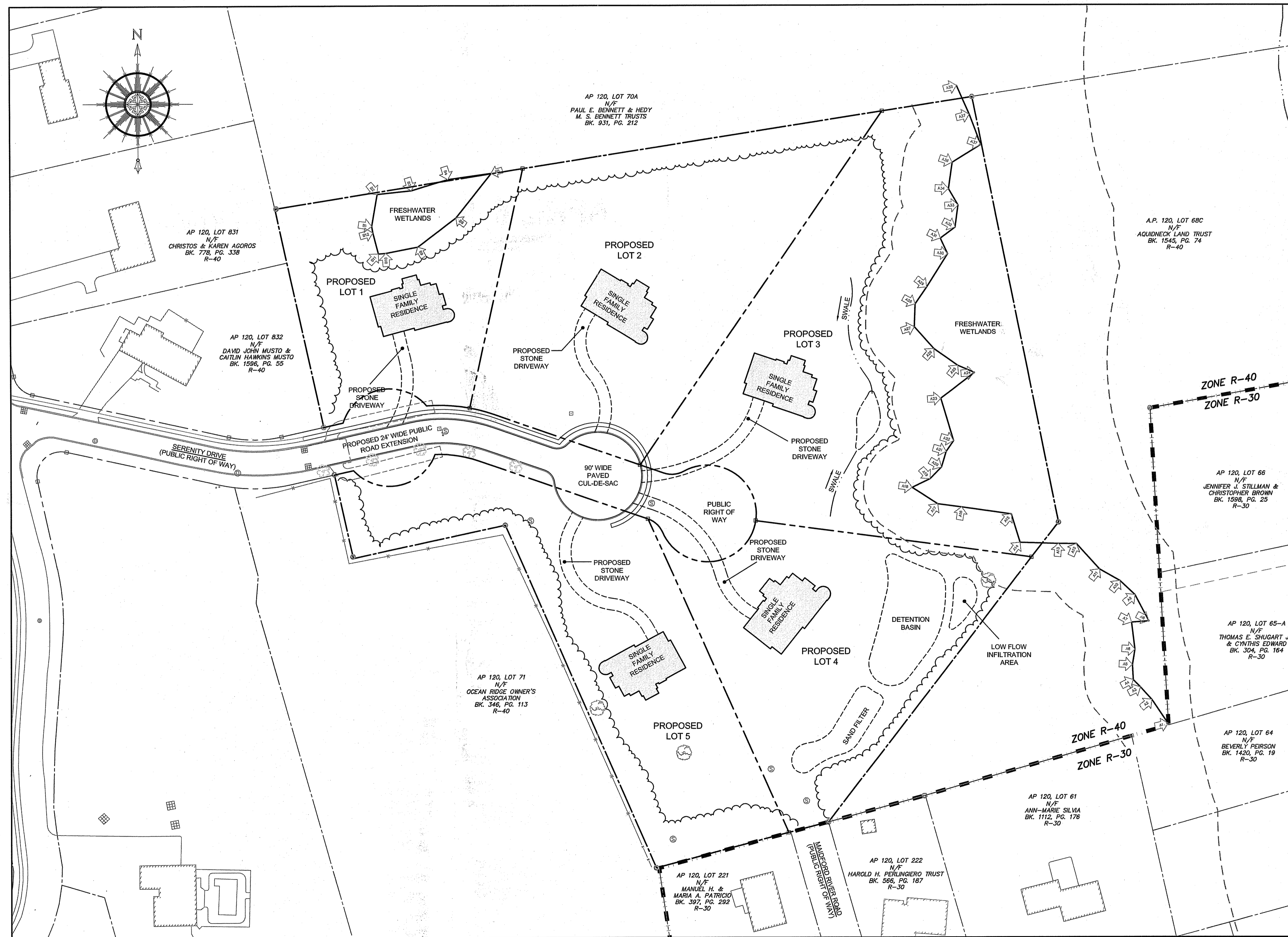


# CAMPOS RESIDENTIAL SUBDIVISION

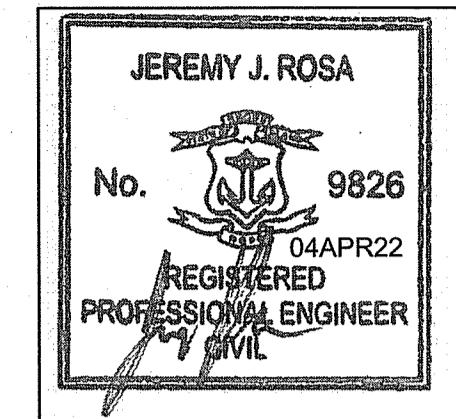
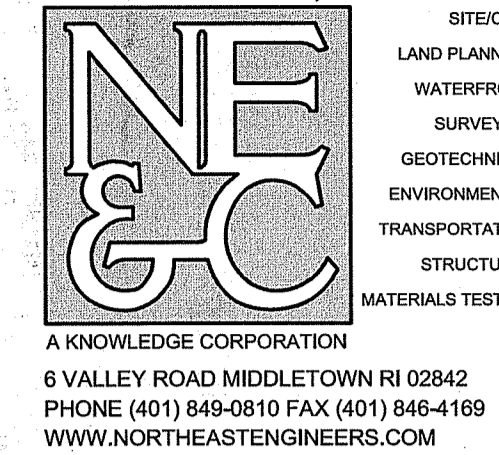
**5 LOT SUBDIVISION WITH AN EXTENSION OF A PUBLIC ROW  
ASSESSOR'S PLAT 120 LOTS 68-A & 68-B  
SERENITY DRIVE  
MIDDLETOWN, RHODE ISLAND**



**SITE PLAN**

SCALE = 1"=60'

CIVIL ENGINEER: NORTHEAST ENGINEERS & CONSULTANTS, INC.



ENGINEER CERTIFICATION

OWNER:

MR. JUAN CAMPOS  
162 BROADWAY, UNIT 1  
NEWPORT, RI 02840

RI DEPARTMENT OF ENVIRONMENTAL MANAGEMENT  
OFFICE OF WATER RESOURCES  
FRESHWATER WETLANDS PROGRAM  
APPROVED WITH CONDITIONS AS  
SPECIFIED IN THE LETTER OF APPROVAL  
DATED: JUN 22 2022 FILE #: 20-0279  
NO CHANGES ALLOWED WITHOUT PRIOR APPROVAL  
APPROVED PLANS MUST BE AT CONSTRUCTION SITE

*Donna J. Freeman*

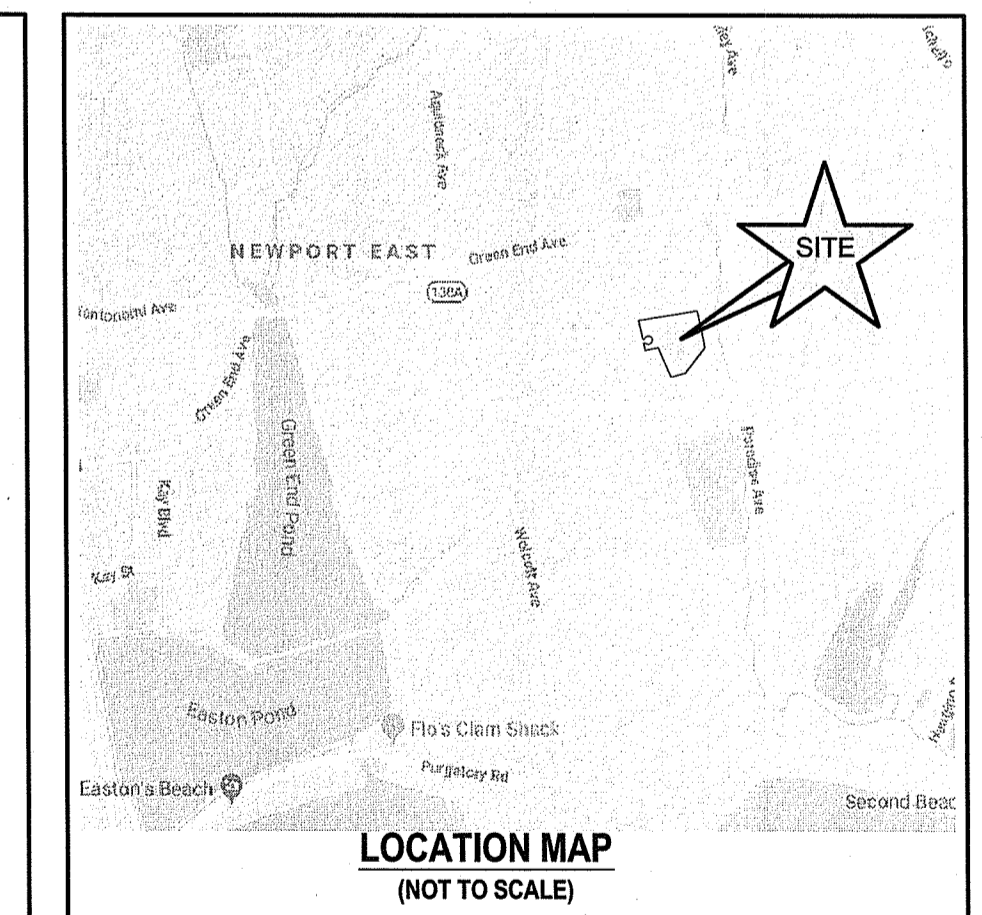
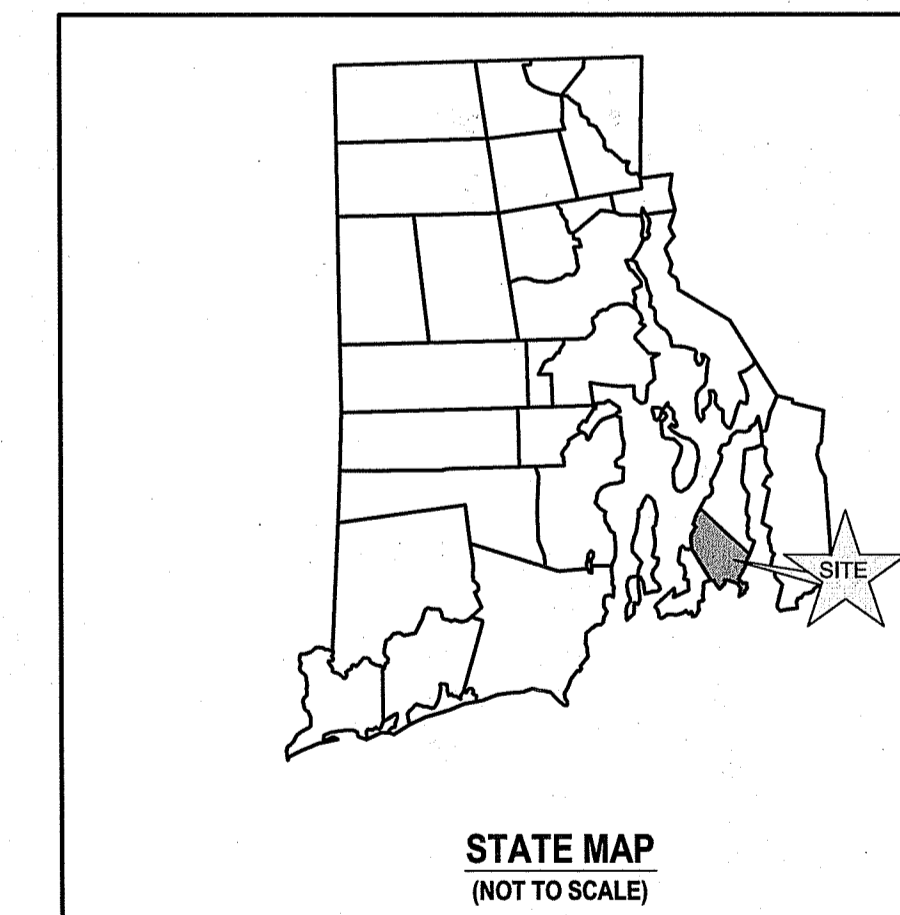
## APRIL 6, 2022 PERMIT SET

### PLAN INDEX

#### SITE/CIVIL ENGINEERING PLANS

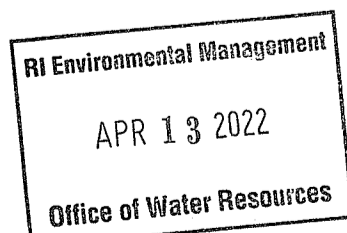
- TITLE SHEET
- PROJECT NOTES
- EXISTING CONDITIONS
- PROPOSED SUBDIVISION PLAN
- PROPOSED LAYOUT AND UTILITY PLAN
- PROPOSED GRADING AND DRAINAGE PLAN
- PROPOSED SOIL EROSION AND SEDIMENT CONTROL PLAN
- PROPOSED ROAD PROFILE
- PROPOSED DETAILS

- SHEET 1
- SHEET 2
- SHEET 3
- SHEET 4
- SHEET 5
- SHEET 6
- SHEET 7
- SHEET 8
- SHEETS 9-11



#### SUBMISSION AND REVISION SUMMARY

AGENCY OR REVISION	DATE:	COMMENTS:
TOWN OF MIDDLETOWN	NOV 20, 2019	MASTER PLAN SUBMISSION
TOWN OF MIDDLETOWN	FEB 19, 2020	MASTER PLAN SUBMISSION
RIDEM	MAY, 2020	WETLANDS VERIFICATION
RIDEM	NOV 20, 2020	RIPDES AND FW WETLANDS
RIDEM	FEB 17, 2021	REVISED PER COMMENTS
TOWN OF MIDDLETOWN	AUG 10, 2021	PRELIMINARY PLAN REVISIONS
TOWN OF MIDDLETOWN	SEP 29, 2021	PRELIMINARY PLAN REVISIONS
TOWN OF MIDDLETOWN	NOV 15, 2021	PRELIMINARY PLAN REVISIONS
RIDEM	MAR 01, 2022	PRELIMINARY PLAN REVISIONS
	APR 06, 2022	PERMIT MODIFICATION



## GENERAL NOTES

- EXISTING CONDITIONS SURVEY (SHEET 3) IS THE RESULT OF A FIELD SURVEY BY NORTHEAST ENGINEERS & CONSULTANTS, INC. IN MAY 2020.
- BASE OF ELEVATIONS: NAVD88.
- PROPERTIES ARE ZONED R40 (MEDIUM DENSITY RESIDENTIAL), ABUTTING PROPERTIES ARE ALSO ZONED R40 (MEDIUM DENSITY RESIDENTIAL).
- NORTH ARROW AND BASIS OF BEARING BASED ON RTK/GNSS OBSERVATION, THE BASIS OF BEARING BEING FROM AN IRON ROD FOUND ONLINE AND A DRILL HOLE FOUND, AS SPECIFIED ON PLAN WITH NOTE REFERENCE, HAVING A BEARING OF N 85°27'21" E AND A DISTANCE OF 840.53'.
- SOIL EVALUATIONS SHOWN PERFORMED BY OTHERS FOR THE APPROVED 2016 SUBDIVISION "SERENITY FARM". SOIL INFORMATION SHOWN TAKEN FROM THE TOWN OF MIDDLETOWN GIS DATA.
- SUBJECT SITE IS NOT SITUATED IN A 100-YEAR FLOODZONE, AS SHOWN ON FEMA FIRM 44065C0094H LAST REVISED MARCH 5, 2010.
- THE CONTRACTOR SHALL VERIFY THE PROPOSED LAYOUT AND DETAILS WITH THEIR RELATIONSHIP TO THE EXISTING SITE SURVEY. CONTRACTOR SHALL ALSO VERIFY ALL DIMENSIONS, SITE CONDITIONS AND MATERIAL SPECIFICATIONS AND SHALL NOTIFY THE OWNER AND ENGINEER OF ANY ERRORS, OMISSIONS OR DISCREPANCIES BEFORE COMMENCING WORK.
- THE UNDERGROUND UTILITIES KNOWN TO EXIST BY THE ENGINEER FROM HIS SEARCH OF RECORDS ARE INDICATED ON THE PLANS. CONTRACTOR SHALL VERIFY THE LOCATIONS AND DEPTHS OF THE UTILITIES AND EXERCISE PROPER CARE IN EXCAVATING IN THE AREA. ALL DAMAGED PORTIONS SHALL BE REPLACED IN ACCORDANCE WITH THE STANDARDS AND SPECIFICATIONS OF THE AFFECTED UTILITY COMPANY AND SHALL BE THE CONTRACTOR'S RESPONSIBILITY. PERSONAL INJURY RESULTING FROM CONTACT WITH EXISTING UTILITIES SHALL BE THE CONTRACTOR'S RESPONSIBILITY. WHEREVER CONNECTION OF NEW UTILITIES TO EXISTING UTILITIES ARE SHOWN ON THE PLANS, THE CONTRACTOR SHALL EXPOSE THE EXISTING LINES AT THE PROPOSED CONNECTIONS TO VERIFY THEIR LOCATIONS AND DEPTHS PRIOR TO EXCAVATION FOR NEW LINES. (PLEASE CALL DIG SAFE PRIOR TO CONSTRUCTION AT 1-888-DIG-SAFE AND ALL LOCAL UTILITY COMPANIES.)
- THE CONTRACTOR SHALL NOTIFY ALL AGENCIES TO VERIFY THE ACTUAL LOCATIONS OF ALL UTILITIES IN THE PROJECT AREA PRIOR TO EXCAVATING.
- THE CONTRACTOR SHALL RESTORE TO THEIR ORIGINAL CONDITION OR BETTER, ALL IMPROVEMENTS DAMAGED AS A RESULT OF THE CONSTRUCTION, INCLUDING PAVEMENTS, EMBANKMENTS, CURBS, SIGNS, LANDSCAPING, STRUCTURES, UTILITIES, WALLS, FENCES, ETC. UNLESS PROVIDED FOR SPECIFICALLY IN THE PROPOSAL.
- CONTRACTOR SHALL EXERCISE EXTREME CAUTION TO PRESERVE STREET MONUMENTS.
- STREET MONUMENTS THAT ARE DISTURBED SHALL BE RESTORED UNDER THE LICENSED LAND SURVEYOR'S DIRECTION. ANY NEW DATA SUCH AS ELEVATIONS SHALL BE CERTIFIED BY THE SURVEYOR, AND SUBMITTED TO THE TOWN OF MIDDLETOWN.
- DEVIATIONS OR CHANGES FROM THESE PLANS WILL NOT BE ALLOWED UNLESS APPROVED BY THE PROJECT ENGINEER, APPROPRIATE AGENCY AND OWNER.
- RELOCATION OF ANY UTILITIES SHALL BE AT THE OWNERS EXPENSE AND BE COMPLETED WITH THE UTILITY WORK. THE OWNER SHALL BE NOTIFIED AS TO THE RELOCATION REQUIRED PRIOR TO THE START OF CONSTRUCTION.
- AN APPROVED SET OF PLANS AND ALL APPLICABLE PERMITS MUST BE AVAILABLE AT THE CONSTRUCTION SITE AT ALL TIMES.
- CONTRACTOR AGREES THAT HE/SHE SHALL ASSUME SOLE AND COMPLETE RESPONSIBILITY FOR JOB SITE CONDITIONS DURING THE COURSE OF THE CONSTRUCTION OF THIS PROJECT, INCLUDING SAFETY OF ALL PERSONS AND PROPERTY THAT THIS REQUIREMENT SHALL APPLY CONTINUOUSLY AND NOT BE LIMITED TO NORMAL WORKING HOURS; AND THAT THE CONTRACTOR SHALL DEFEND, INDEMNIFY AND HOLD THE OWNER AND THE ENGINEERS HARMLESS FROM ANY AND ALL LIABILITY, REAL AND ALLEGED, IN CONNECTION WITH THE PERFORMANCE OF WORK ON THIS PROJECT, EXCEPTING FOR LIABILITY ARISING FROM "THE SOLE NEGLIGENCE OF THE OWNER OR PROJECT ENGINEER."
- ALL TRAFFIC CONTROL SHALL CONFORM TO THE MANUAL FOR UNIFORM TRAFFIC CONTROL DEVICES LATEST EDITION INCLUDING ALL REVISIONS.
- THERE ARE DELINEATED FRESHWATER WETLANDS ON THE SUBJECT PROPERTY.
- THERE ARE FRESHWATER WETLAND REGULATED SETBACKS ON THE SUBJECT PROPERTY.
- THERE ARE NO SURFACE WATERS ON THE SUBJECT PROPERTY.
- THERE ARE HYDRIC SOILS ON THE SUBJECT PROPERTY. THESE SOILS ARE LIMITED TO FLAGGED WETLANDS AND REGULATED PERIMETER WETLANDS.
- THERE ARE NO KNOWN AREAS OF LEDGE OR OUTCROPPINGS ON THE SUBJECT PROPERTY.
- THERE ARE NO SLOPES OF 15% OR GREATER ON THE SUBJECT PROPERTY.
- ALL SOILS ON THE SUBJECT PROPERTY ARE INDICATED AS HAVING A SEASONAL HIGH WATER TABLES LESS THAN 3.5 FEET AS IDENTIFIED BY SOIL EVALUATION AND ARE CONSIDERED LOW PERMEABILITY SOILS.
- THERE ARE NO KNOWN RECREATIONAL RESOURCES ON THE SUBJECT PROPERTY.
- THE MAJORITY OF THE SUBJECT PROPERTY IS CONSIDERED PRIME FARMLAND SOILS.
- THE PROPOSED DEVELOPMENT DOES NOT LIE IN ANY OF THE FOLLOWING AREAS:
  - NATURAL HERITAGE AREAS (RIDEM)
  - CULTURAL RESOURCE AREA
  - SPECIAL AREA MANAGEMENT PLAN (SRMC)
  - GROUNDWATER AQUIFERS, STATE DESIGNATED "GROUNDWATER RESERVOIRS", RECHARGE AREAS, OR WELLHEAD PROTECTION AREAS
  - STATE, REGIONAL OR LOCAL GREENWAYS, OR GREENSPACE PRIORITIES
- ALL WORK WITHIN THE TOWN RIGHT OF WAYS WILL CONFORM TO THE TOWN OF MIDDLETOWN SPECIFICATIONS.
- THE SITE IS LOCATED WITHIN WATERSHED PROTECTION DISTRICT ZONE 2.
- THE SITE IS SITUATED IN A COMMUNITY WELLHEAD PROTECTION AREA PER RIDEM ENVIRONMENTAL RESOURCE MAPS.
- MASTER PLAN DECISION CONDITION:** ALL NEW LOTS WILL BE REQUIRED TO COMPLY WITH THE PROVISIONS OF THE TOWN'S STORMWATER MANAGEMENT ORDINANCE (CHAPTER 153) AND CONSTRUCTION SITE RUNOFF AND EROSION CONTROL (CHAPTER 151).
- MASTER PLAN DECISION CONDITION:** ALL NEW LOTS WILL BE SUBJECT TO THE TOWN'S DEVELOPMENT IMPACT FEES, TOWN CODE CHAPTER 150.
- MASTER PLAN DECISION CONDITION:** DUE TO THE PROXIMITY TO THE MAIDFORD RIVER, MINIMAL USE OF FERTILIZER AND LAWN CHEMICALS IS RECOMMENDED.
- MASTER PLAN DECISION CONDITION:** THE APPLICANT SHALL COMPLY WITH THE TOWN'S STONE WALL PRESERVATION ORDINANCE REGARDING EXISTING WALLS ON THE PROPERTY AND THE RESTORATION OF THE SEGMENT OF STONE WALL AT THE END OF MAIDFORD RIVER ROAD WHICH WAS PREVIOUSLY REMOVED.
- MASTER PLAN DECISION CONDITION:** THE PROPOSED DWELLING TO BE CONSTRUCTED ON PROPOSED LOT 3 SHALL BE LOCATED AS FAR TO THE WEST AS POSSIBLE TO LIMIT POTENTIAL IMPACT ON THE ADJACENT WETLANDS.

## GRADING NOTES

- ADEQUATE PROVISIONS SHALL BE MADE TO PREVENT SURFACE WATERS FROM DAMAGING THE CUT FACE OF AN EXCAVATION OR THE SLOPED SURFACES OF A FILL. FURTHERMORE, ADEQUATE PROVISIONS SHALL BE MADE TO PREVENT SEDIMENT RUNOFF FROM LEAVING THE SITE.
- ALL GRADED AREAS SHALL BE SODDED OR PLANTED IMMEDIATELY AFTER THE GRUBBING WORK HAS BEEN COMPLETED.
- THE TOWN SHALL BE INFORMED OF THE LOCATION OF THE DISPOSAL SITE, IF ANY, FOR THE PROJECT.
- NO GRADING WORK SHALL BE DONE ON SATURDAYS, SUNDAYS AND HOLIDAYS AT ANY TIME WITHOUT PRIOR NOTICE TO THE MUNICIPALITY, PROVIDED SUCH GRADING WORK IS ALSO IN CONFORMANCE WITH THE COMMUNITY NOISE CONTROL STANDARDS.
- THE LIMITS OF DISTURBANCE SHALL BE FLAGGED BEFORE THE COMMENCEMENT OF THE GRADING WORK.
- ALL GRADING OPERATIONS SHALL BE PERFORMED IN CONFORMANCE WITH THE APPLICABLE PROVISIONS OF THE DEPARTMENT OF ENVIRONMENTAL MANAGEMENT AND THE MUNICIPALITY.
- WHERE APPLICABLE AND FEASIBLE THE MEASURES TO CONTROL EROSION AND OTHER POLLUTANTS SHALL BE IN PLACE BEFORE GRADING WORK IS INITIATED.
- TEMPORARY EROSION CONTROLS SHALL NOT BE REMOVED BEFORE PERMANENT EROSION CONTROLS ARE IN-PLACE AND ESTABLISHED.
- IF THE GRADING WORK INVOLVES CONTAMINATED SOIL, THEN ALL GRADING WORK SHALL BE DONE IN CONFORMANCE WITH APPLICABLE STATE AND FEDERAL REQUIREMENTS.
- NONCOMPLIANCE TO ANY OF THE ABOVE REQUIREMENTS SHALL MEAN IMMEDIATE SUSPENSION OF ALL WORK, AND REMEDIAL WORK SHALL COMMENCE IMMEDIATELY. ALL COSTS INCURRED SHALL BE BILLED TO THE VIOLATOR. FURTHERMORE, VIOLATORS SHALL BE SUBJECT TO ADMINISTRATIVE, CIVIL AND/OR CRIMINAL PENALTIES.

## UTILITY NOTES

- THE LOCATIONS OF PROPOSED ELECTRICAL CONNECTION TO THE EXISTING UNDERGROUND CONDUITS IN COMPTON VIEW DRIVE ARE PRELIMINARY. FINAL DESIGN OF THE ELECTRICAL SERVICE IS SUBJECT TO DESIGN REVIEW AND APPROVAL OF NATIONAL GRID.
- THE PROPOSED CONNECTION TO THE WATER MAIN IN COMPTON VIEW DRIVE IS PRELIMINARY AND SUBJECT TO REVIEW AND APPROVAL BY THE NEWPORT WATER DEPARTMENT. ALL NEW CONNECTIONS FOR THE RESIDENCES WILL REQUIRE WATER SERVICE APPLICATIONS TO THE NEWPORT DPU.
- ALL NEW ELECTRIC, TELEPHONE AND CABLE SERVICES SHALL BE INSTALLED UNDERGROUND.
- THE PROPOSED SEWER MAIN AND EASEMENTS ARE SUBJECT TO REVIEW AND APPROVAL BY THE TOWN OF MIDDLETOWN PUBLIC WORKS. ALL SEWER WORK SHALL BE PERFORMED IN ACCORDANCE WITH THE TOWN OF MIDDLETOWN ORDINANCE RULES AND REGULATIONS FOR THE USE AND INSTALLATION OF SEWERS. ALL NEW CONNECTIONS WILL REQUIRE SEWER SERVICE APPLICATIONS TO THE MIDDLETOWN DPW. ALL NEW RESIDENTIAL CONNECTIONS SHALL BE 6 INCHES IN DIAMETER.
- THE CONTRACTOR SHALL BE SOLELY RESPONSIBLE FOR ALL ASSUMPTIONS, DEDUCTIONS, OR CONCLUSIONS HE/SHE MAY MAKE OR DERIVE FROM THE SUBSURFACE INFORMATION OR DATA FURNISHED ON THE PLANS. THE CONTRACTOR MUST SATISFY HIMSELF/HERSELF THROUGH HIS/HER OWN INVESTIGATIONS AS TO WHAT SUBSURFACE CONDITIONS ARE TO BE ENCOUNTERED.
- IF THE CONTRACTOR ELECTS NOT TO EXPOSE AND VERIFY ALL EXISTING UNDERGROUND UTILITIES AND STRUCTURES AT CROSSINGS PRIOR TO PIPELINE EXCAVATION, HE/SHE FORFEITS HIS/HER RIGHTS FOR ANY CLAIMS FOR COMPENSATION CAUSED BY ANY CONFLICTS WITH EXISTING UTILITIES AND STRUCTURES.
- THE CONTRACTOR SHALL BE RESPONSIBLE FOR THE PROPER DISPOSAL OF ALL EFFLUENT ASSOCIATED WITH THE CONSTRUCTION ACTIVITY AND THE DISINFECTANT AND HYDROTESTING OPERATIONS TO SAFEGUARD PUBLIC HEALTH AND SAFETY IN ACCORDANCE WITH APPLICABLE DEPARTMENT OF HEALTH REQUIREMENTS. ALL PERMITS AND LICENSES FOR CONSTRUCTION WATER DISPOSAL, INCLUDING ALL APPLICATIONS, CHARGES, FEES, AND TAXES, ARE THE RESPONSIBILITY OF THE CONTRACTOR.
- PROPOSED UTILITIES TRENCHES SHALL BE CONSTRUCTED WITH TRENCH DAMS AT 100-FT INTERVALS PER DETAIL PROVIDED.

## SOIL EROSION AND SEDIMENT CONTROL NOTES

- CONSTRUCTION SEQUENCE:
  - DO NOT BEGIN CONSTRUCTION UNTIL ALL LOCAL, STATE, AND FEDERAL PERMITS HAVE BEEN APPLIED FOR AND RECEIVED. THIS INCLUDES ALL PERMITS FROM APPLICABLE UTILITIES.
  - ALL CONSTRUCTION VEHICLES SHALL ENTER AND LEAVE THE SITE VIA THE PROPOSED CONSTRUCTION ENTRANCE CONFORMING TO THE DETAIL PROVIDED.
  - INSTALL SILT FENCES, SILT SACKS, CHECK DAMS, FILTER SOCKS, STRAW WATTLE AND/OR STRAW BALES AS INDICATED ON THE DRAWINGS TO CONTROL EROSION AND PREVENT SEDIMENT CONTAMINATION OF DOWNSTREAM AREAS PRIOR TO ANY EARTH MOVING ACTIVITIES. THE CONTRACTOR SHALL CONFORM WITH THE TOWN BUILDING OFFICIAL/TOWN ENGINEER WHICH TYPE OF SEDIMENTATION BARRIERS ARE PREFERRED BY THE TOWN PRIOR TO INSTALLATION.
  - CONTRACTOR TO FIELD LOCATE EXISTING SEWER AND WATER MAINS TO WHICH CONNECTIONS ARE PROPOSED PRIOR TO ANY CONSTRUCTION.
  - LOCATE AND DISCONNECT EXISTING PRIVATE SEWER MAIN IN THE LOCATION SHOWN ON PLANS. REMOVE TOP SECTIONS OF INDICATED STRUCTURES. REMOVE OR ABANDON REMAINDER OF PRIVATE SEWER SYSTEM IN PLACE.
  - LIMITS OF CLEARING SHALL BE FLAGGED PRIOR TO THE REMOVAL OF ANY VEGETATION. REMOVE VEGETATION ONLY WHERE NECESSARY. ANY STUMPS TO BE GROUND OR DISPOSED OF OFF SITE.
  - EXCAVATE SAND FILTER AND DETENTION BASIN IN ACCORDANCE WITH THE PLANS AND ESTABLISH A TEMPORARY VEGETATIVE GROWTH THAT MEETS THE APPROVAL OF THE TOWN ENGINEER/BUILDING OFFICIAL. THIS DEPRESSION SHALL BE USED AS A TEMPORARY SEDIMENT TRAP SHOULD ONE BE REQUIRED DURING CONSTRUCTION. A TEMPORARY STONE WEIR SHALL BE CONSTRUCTED IN THE DETENTION BASIN EXCAVATION IN THE VICINITY OF THE FUTURE CONCRETE WEIR.
  - ROUGH GRADE SITE AND EXCAVATE FOR ROAD BASE.
  - INSTALL UTILITY MAINS PER APPROVED DEVICES. ALL CONNECTIONS TO EXISTING UTILITIES SHALL BE PERFORMED UNDER SUPERVISION BY THE PROVIDING ENTITIES.
  - INSTALL THE STORMWATER SYSTEM CONVEYANCE IN ACCORDANCE WITH THE PLANS AND DETAILS. INSTALLATION SHALL BE PERFORMED AT THE LOWEST POINT AND WORK SHALL PROGRESS UPSTREAM.
  - INSTALL ROAD BASE MATERIAL. INSTALLATION TO CONFORM TO THE STANDARDS OF THE MIDDLETOWN DPW.
  - FINAL GRADE SITE AND INSTALL BINDER PAVEMENT COURSE. INSTALLATION TO CONFORM TO THE STANDARDS OF THE MIDDLETOWN DPW. INSTALL CURBING PER DETAILS PROVIDED.
  - REMOVE SEDIMENTS FROM SAND FILTER EXCAVATION, EXCAVATE AND INSTALL LINER, UNDERDRAIN, AND SAND MEDIA. COMPLETE SAND FILTER CONSTRUCTION.
  - REMOVE SEDIMENTS AND EXCAVATE 12" BELOW FINAL BASIN BOTTOM ELEVATION. COMPLETE BASIN CONSTRUCTION PER THE DETAILS PROVIDED.
  - ESTABLISH FINAL VEGETATIVE GROWTH ON ALL DISTURBED AREAS. INSTALL STREET TREES AND ANY OTHER PROPOSED LANDSCAPING.
  - INSTALL TOP PAVEMENT COURSE AND MAINTAIN SITE IN ACCORDANCE WITH THE MAINTENANCE NOTES.
  - RESIDENTIAL LOT CONSTRUCTION SHALL BE COMPLETED BY THE FUTURE OWNERS.
- NOTES:
  - DURING CONSTRUCTION AND THEREAFTER, EROSION CONTROL MEASURES ARE TO BE IMPLEMENTED AS NOTED. ONLY THE SMALLEST PRACTICAL AREA OF LAND SHOULD BE EXPOSED AT ANY ONE TIME DURING DEVELOPMENT. WHEN LAND IS EXPOSED DURING DEVELOPMENT, THE EXPOSURE SHOULD BE KEPT TO THE SHORTEST PRACTICAL PERIOD OF TIME.
  - AREA OF PROPOSED INFILTRATION SYSTEM SHALL NOT BE USED FOR STOCKPILES OR STORAGE OF MATERIALS OR EQUIPMENT.
  - ANY DISTURBED AREAS WHICH ARE TO BE LEFT TEMPORARILY AND WHICH WILL BE REGRADED LATER DURING CONSTRUCTION SHALL BE STABILIZED WITHIN FOURTEEN DAYS IN ACCORDANCE WITH TEMPORARY MEASURES IN THE VEGETATIVE PRACTICE NOTES.
  - AREAS TO BE FILLED SHALL BE CLEARED, GRUBBED, AND STRIPPED OF TOP SOIL TO REMOVE VEGETATION, ROOTS, AND ANY OTHER OBJECTIONABLE MATERIAL.
  - ALL FILL SHALL BE COMPACTED TO 95% MAX. DENSITY TO REDUCE EROSION, SLIPPAGE, SETTLEMENT SUBSIDENCE, OR OTHER RELATED PROBLEMS.
  - FILL INTENDED TO SUPPORT BUILDING STRUCTURES AND CONDUITS, ETC., SHALL BE COMPACTED IN ACCORDANCE WITH LOCAL CODES AND SPECIFICATIONS.
  - ALL FILL SHALL BE PLACED AND COMPACTED TO 95% MAX. DENSITY IN LAYERS NOT TO EXCEED 12" IN THICKNESS FILLS.
  - FILL MATERIAL SHALL BE FREE OF BRUSH, RUBBISH, ROCKS, LOGS, STUMPS, BUILDING DEBRIS, AND OTHER OBJECTIONABLE MATERIALS THAT WOULD INTERFERE WITH OR PREVENT CONSTRUCTION OF SATISFACTORY FILLS.
  - FROZEN, SOFT, MUCKY, OR HIGHLY COMPRESSIBLE MATERIAL SHALL NOT BE INCORPORATED INTO FILLS.
  - FILL SHALL NOT BE PLACED ON A FROZEN FOUNDATION SUBGRADE.
  - SEEPS OR SPRINGS ENCOUNTERED DURING CONSTRUCTION SHALL BE BROUGHT TO THE ATTENTION OF THE DESIGN ENGINEER.
  - ALL DISTURBED AREAS SHALL BE STABILIZED WITHIN 14 DAYS OF FINISH GRADING IN ACCORDANCE WITH THE VEGETATIVE PRACTICE NOTES.
  - REMOVE TEMPORARY EROSION CONTROL MEASURES ONCE UPSLOPE AREAS HAVE BEEN PERMANENTLY STABILIZED AND VEGETATED AREAS HAVE RECEIVED TWO MOWINGS.
- VEGETATIVE PRACTICE:  
PERMANENT MEASURES:
  - SLOPES SHALL NOT BE STEEPER THAN 1 VERTICAL TO 3 HORIZONTAL UNLESS OTHERWISE SPECIFIED.
  - LOAM AND SEED REQUIREMENTS ARE SPECIFIED IN RIDOT L01 & L02.
  - A MINIMUM OF 4 INCHES OF LOAM SHALL BE INSTALLED. THE LOAM SHALL BE GRADED TO A SMOOTH CONDITION AND STONES AND OTHER OBJECTS LARGER THAN 2 INCHES SHALL BE REMOVED.

## TEMPORARY MEASURES (FOR TEMPORARY PROTECTION OF DISTURBED AREAS)

- SLOPES SHALL NOT BE STEEPER THAN 1 VERTICAL TO 3 HORIZONTAL UNLESS OTHERWISE SPECIFIED.
  - LOAM AND SEED REQUIREMENTS ARE SPECIFIED IN RIDOT L01 & L02.
  - A MINIMUM OF 4 INCHES OF LOAM SHALL BE INSTALLED. THE LOAM SHALL BE GRADED TO A SMOOTH CONDITION AND STONES AND OTHER OBJECTS LARGER THAN 2 INCHES SHALL BE REMOVED.
- LIMESTONE AND FERTILIZER SHALL BE APPLIED AT THE FOLLOWING RATE:
    - LIMESTONE: 3 TONS/ACRE
    - FERTILIZER: (10-10-10): 800 LBS/ACRE
  - SEED SHALL BE APPLIED AT THE FOLLOWING RATE:
    - WINTER RYE: 100 LB/ACRE
  - STRAW MULCH SHALL BE APPLIED AT THE RATE OF 1.5 TONS/ACRE.

## 4. MAINTENANCE

- DURING THE PERIOD OF CONSTRUCTION AND/OR UNTIL LONG TERM VEGETATION IS ESTABLISHED, THE EROSION CONTROL MEASURES SHALL BE INSPECTED.
- AT A MINIMUM THE SILT FENCING, STRAW BALES AND FILTER SOCK BARRIERS SHALL BE INSPECTED AND REPAIRED ONCE A WEEK AND / OR IMMEDIATELY FOLLOWING A SIGNIFICANT RAINFALL OR SNOWMELT. SEDIMENT TRAPPED BEHIND THE BARRIERS SHALL BE EXCAVATED WHEN IT REACHES A DEPTH OF 6" AND REGRADED ON THE SITE.
  - EROSION CONTROL BLANKETS SHALL BE INSPECTED ON A WEEKLY BASIS.
  - SILT SACKS SHALL BE INSPECTED AND REPAIRED ONCE A WEEK AND / OR IMMEDIATELY FOLLOWING A SIGNIFICANT RAINFALL OR SNOWMELT. DURING HEAVY RAIN EVENT, IT MAY BE NECESSARY TO TEMPORARILY REMOVE SACKS IN ORDER TO PREVENT FLOODING. SEDIMENT TRAPPED WITHIN SACKS SHALL BE DISPOSED OF OFF SITE AT A LICENSED FACILITY OR REGRADED ON THE SITE.
  - STONE RIPRAP SHALL BE INSPECTED MONTHLY FOR EXCESSIVE ACCUMULATION OF SEDIMENT. IT MAY BE NECESSARY TO REMOVE STONES, EXCAVATE SEDIMENT, AND REPLACE STONES.
  - IF INSTALLED, THE STABILIZED CONSTRUCTION ENTRANCE SHALL BE REMOVED PRIOR TO PAVING. DURING CONSTRUCTION THE ENTRANCE SHALL BE INSPECTED WEEKLY, AND RE-ESTABLISHED AS NECESSARY.
  - SEEDED AREAS WILL BE FERTILIZED AND RESEED AS NECESSARY TO INSURE ESTABLISHMENT OF A VEGETATIVE GROWTH THAT MEETS THE APPROVAL OF THE TOWN ENGINEER.

## DRAINAGE NOTES

- ALL DRAIN PIPES WITHIN THE PUBLIC ROAD EXTENSION SHALL BE CLASS III RCP. ALL OTHER DRAIN PIPES SHALL BE ADS-N12 TYPE IB OR SCH40 PVC UNLESS OTHERWISE NOTED ON THIS PLAN.
- ALL DRAIN MANHOLES AND CATCH BASINS SHALL BE PRECAST CONCRETE STRUCTURES CONFORMING TO RIDOT STANDARDS PROVIDED IN THIS PLAN SET UNLESS OTHERWISE NOTED.
- RESIDENCE ROOFTOP SHALL DISCHARGE RUNOFF TO GRADE. NO ADDITIONAL STORMWATER MEASURES ARE REQUIRED.
- WET SWALES, SAND FILTER, AND DETENTION BASIN SHALL BE CONSTRUCTED ACCORDING TO THE DETAILS PROVIDED. ANY DISCREPANCIES OR INCONGRUENCIES WITH THE EXISTING SITE CONDITIONS SHALL BE BROUGHT TO THE ATTENTION OF THE DESIGN ENGINEER PRIOR TO CONSTRUCTION.

## PUBLIC HEALTH SAFETY AND CONVENIENCE NOTES

- CONTRACTOR SHALL OBSERVE AND COMPLY WITH ALL FEDERAL, STATE, AND LOCAL LAWS REQUIRED FOR THE PROTECTION OF PUBLIC HEALTH, SAFETY AND ENVIRONMENTAL QUALITY.
- THE CONTRACTOR AT HIS/HER EXPENSE, SHALL KEEP THE PROJECT AREA AND SURROUNDING AREA FREE FROM RUBBISH, DUST, NOISE, EROSION, ETC. THE WORK SHALL BE DONE IN CONFORMANCE WITH THE AIR AND WATER POLLUTION CONTROL STANDARDS AND REGULATIONS OF ALL APPLICABLE FEDERAL, STATE AND LOCAL AGENCIES.
- NO CONTRACTOR SHALL PERFORM ANY CONSTRUCTION OPERATION SO AS TO CAUSE FALLING ROCKS, SILT OR DEBRIS IN ANY FORM TO FALL, SLIDE OR FLOW ONTO ADJOINING PROPERTIES, STREETS OR NATURAL WATERCOURSES. SHOULD SUCH VIOLATIONS OCCUR, THE CONTRACTOR MAY BE CITED AND THE CONTRACTOR SHALL IMMEDIATELY MAKE ALL REMEDIAL ACTIONS AS NECESSARY.
- THE CONTRACTOR SHALL PROVIDE, INSTALL AND MAINTAIN ALL NECESSARY SIGNS, LIGHTS, FLARES, BARRICADES, MARKERS, CONES, AND OTHER PROTECTIVE FACILITIES AND SHALL TAKE ALL NECESSARY PRECAUTIONS FOR THE PROTECTION, CONVENIENCE AND SAFETY OF THE PUBLIC.

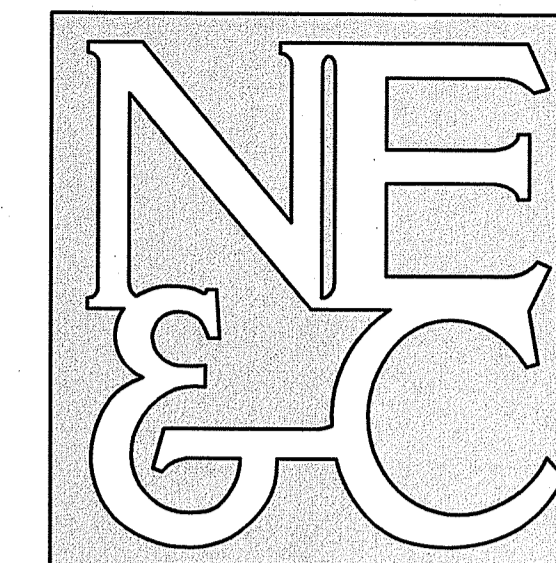
## STORMWATER MAINTENANCE NOTES

- SAND FILTER MAINTENANCE:
  - GRASSES AND/OR SPECIFIED VEGETATION SHALL BE PLANTED AROUND AND WITHIN THE SAND FILTER IMMEDIATELY FOLLOWING CONSTRUCTION TO STABILIZE SLOPES AND PREVENT EROSION.
  - THE FILTER SHOULD BE INSPECTED FOLLOWING AT LEAST THE FIRST TWO PRECIPITATION EVENTS OF AT LEAST 1.0 INCH TO ENSURE THAT THE SYSTEM IS FUNCTIONING PROPERLY. THEREAFTER, THE FILTER SHOULD BE INSPECTED AT LEAST ANNUALLY AND AFTER STORM EVENTS OF GREATER THAN OR EQUAL THE 1-YEAR, 24-HOUR TYPE III PRECIPITATION EVENT (2.8 INCHES). SEDIMENTS COLLECTED WITHIN THE TOP STRATA OF THE FILTER SHALL BE GRASSES AND/OR SPECIFIED VEGETATION SHALL BE PLANTED AROUND AND WITHIN THE SAND FILTER IMMEDIATELY FOLLOWING CONSTRUCTION TO STABILIZE SLOPES AND PREVENT EROSION.
  - THE FOLLOWING SHALL ALSO BE COMPLETED ON AN ANNUAL BASIS:
    - THE SLOPES OF THE FILTER SHOULD BE INSPECTED FOR EROSION AND GULLING.
    - REINFORCE ANY EXISTING RIPRAP IF IT IS FOUND TO BE DEFICIENT, EROSION IS PRESENT AT THE OUTLET STRUCTURES, OR ANY EXISTING RIPRAP HAS BEEN COMPROMISED.
    - THE UNDERDRAIN RISER OR OVERFLOW OUTLET STRUCTURE SHALL BE INSPECTED FOR LEAKY JOINTS OR CRACKED LINES. UNDERDRAIN AND OUTLET PIPE SHALL BE CLEAN AND FREE OF MATERIALS THAT CAN REDUCE FLOW.
    - ANY AREAS WITHIN THE EXTENTS OF THE FILTER THAT ARE SUBJECT TO EROSION OR GULLING SHOULD BE REPLENISHED WITH THE ORIGINAL DESIGN MATERIAL AND RE-VEGETATED ACCORDING TO DESIGN DRAWINGS. SLOPE PROTECTION MATERIAL SHOULD BE PLACED IN AREAS PRONE TO EROSION. EMBANKMENT STABILITY SHOULD BE INSPECTED FOR SEEPAGE AND BURROWING ANIMALS.
    - MOW THE GRASS AROUND THE PERIMETER OF AND WITHIN THE FILTER, SEED BARE AREAS, AND REMOVE LITTER AND DEBRIS AT LEAST THREE TIMES PER GROWING SEASON TO MAINTAIN MAXIMUM GRASS HEIGHTS LESS THAN TWELVE INCHES. REMOVE ANY INVASIVE VEGETATION WITHIN THE EXTENTS OF THE FILTER. ANY INVASIVE VEGETATION ENCRANCHING UPON THE PERIMETER OF THE FILTER SHOULD BE PRUNED OR REMOVED IF IT IS PROHIBITING ACCESS TO THE FILTERS, COMPROMISING SIGHT VISIBILITY, AND/OR COMPROMISING THE ORIGINAL DESIGN INTENT. IF DEAD OR DYING GRASS ON THE BOTTOM IS OBSERVED, CHECK TO ENSURE THAT WATER INFILTRATES WITHIN TWO DAYS FOLLOWING STORMS.
    - SILT/SEDIMENT SHOULD BE REMOVED FROM THE FILTER BED ANNUALLY, WHEN ACCUMULATION EXCEEDS 1 INCH, OR WHEN THE FILTERING CAPACITY DIMINISHES SUBSTANTIALLY. IF STANDING WATER IS OBSERVED MORE THAN 48 HOURS AFTER A STORM EVENT, THEN THE TOP 6 INCHES OF SAND SHOULD BE REMOVED AND REPLACED. IF DISCOLORED OR CONTAMINATED MATERIAL IS FOUND BELOW THIS REMOVED SURFACE THEN THAT MATERIAL SHOULD ALSO BE REMOVED AND REPLACED UNTIL ALL CONTAMINATED SAND HAS BEEN REMOVED FROM THE FILTER MEDIA. THE SAND SHOULD BE DISPOSED OF IN ACCORDANCE WITH ALL APPLICABLE REGULATIONS.
- CONVEYANCE STRUCTURE MAINTENANCE:
  - ALL INLET / OUTFLOW PIPES ARE TO BE INSPECTED AT LEAST THREE TIMES IN THE FIRST SIX MONTHS OF OPERATION. EVIDENCE OF CLOGGING, OR RAPID RELEASE OF FLOW SHALL BE REPORTED TO THE PROJECT ENGINEER AND REMEDIATED IMMEDIATELY.
  - CONVEYANCE PIPES SHOULD BE INSPECTED BIANNUALLY. ANY STRUCTURAL FAULTS SHOULD BE REPAIRED AS NECESSARY FOR PROPER FUNCTION OF THE STRUCTURE.
  - ROOF RUNOFF STRUCTURES SUCH AS GUTTERS AND DOWNSPOUTS SHOULD BE CLEAN AND FREE OF OBSTRUCTIONS THAT REDUCE FLOW. A REGISTERED PROFESSIONAL ENGINEER SHOULD BE CONSULTED IF NECESSARY TO DETERMINE WHETHER A STRUCTURE HAS BEEN COMPROMISED.
- SEDIMENTS AND TRASH SHALL BE REMOVED FROM SWALES ON AN ANNUAL BASIS. EXCESSIVE VEGETATION THAT NEGATIVELY AFFECTS THE HYDRAULIC EFFICIENCY OF THE SWALE SHALL BE PRUNED OR REMOVED. ANY EXPOSED SOIL SHALL BE REINFORCED WITH NEW PLANTINGS IMMEDIATELY AFTER DISTURBANCE.
- MAINTENANCE OF THE STORMWATER SYSTEM DURING CONSTRUCTION OF THE PROJECT SHALL BE THE RESPONSIBILITY OF THE HOMEOWNER'S ASSOCIATION.
- UPON COMPLETION OF THE CONSTRUCTION, MAINTENANCE OF THE STORMWATER SYSTEM SHALL BECOME THE RESPONSIBILITY OF THE HOMEOWNER'S ASSOCIATION.

## ABBREVIATIONS

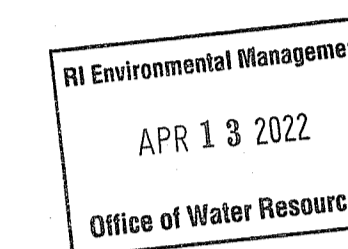
AC	ASPHALT PAVEMENT
ADJ	ADJACENT
AP	ASSESSOR'S PLAT
ACCESS	ACCESSIBLE
ARCH	ARCHITECT
BC	BOTTOM OF CURB
BH	BORING HOLE
BIT	BITUMINOUS
CLR	CLEARANCE
CMP	CORRUGATED METAL PIPE
CMU	CONCRETE MASONRY UNIT
CONC	CONCRETE
CONN	CONNECT
COTG	CLEAN OUT TO GRADE
CF	CUBIC FOOT
DEMO	DEMOLISH
DI	DRAIN INLET
DIA	DIAMETER
DMH	DRAIN MANHOLE
dp	DROP PIPE
DS	DOWN SPOUT
DRWG	DRAWING
E	ELECTRIC
ELEV	ELEVATION
EMH	ELECTRIC MANHOLE
EOP	EDGE OF SURFACE
EQ	EDGE OF PAVEMENT
EQ	EQUAL
EXIST	EXISTING
EXP	EXPANSION
FFE	FINISH FLOOR ELEVATION
FG	FINISHED GRADE
FI	FIRE HYDRANT
FT	FEET
G	GAS
GAL	GALLON
GV	GATE VALVE
INV	INVERT
JT	JOINT
L	LENGTH
LAND	LANDSCAPE
NTS	NOT TO SCALE
MAX	MAXIMUM
MECH	MECHANICAL
MIN	MINIMUM
PAVT	PAVEMENT
PVC	POLYVINYLCHLORIDE
R	RADIUS
RC	REINFORCED CONCRETE
RECON	RECONNECT
RIBH	RHODE ISLAND HIGHWAY BOUND
RIDOT	RHODE ISLAND DEPARTMENT OF TRANSPORTATION
ROW	RIGHT OF WAY
S	SLOPE, SEWER
SF	SQUARE FEET
SHT	SHEET
SMH	SEWER MANHOLE
STA	STATION
STRUCT	STRUCTURAL
TC	TOP OF CURB
TOP	TOP OF SURFACE
UGT	UNDERGROUND TELEPHONE
TYP	TYPICAL
W	WATER
W/	WITH
WWM	WELDED WIRE MESH

## NORTHEAST ENGINEERS & CONSULTANTS, INC.



A KNOWLEDGE CORPORATION®

6 VALLEY ROAD MIDDLETOWN RHODE ISLAND 02842  
PHONE (401) 849-0810 FAX (401) 846-4169  
WWW.NORTHEASTENGINEERS.COM



RI DEPARTMENT OF ENVIRONMENTAL MANAGEMENT

OFFICE OF WATER RESOURCES  
FRESHWATER WETLANDS PROGRAM

APPROVED WITH CONDITIONS AS  
SPECIFIED IN THE LETTER OF APPROVAL

DATED: JUN 27 2022 FILE # 20-0279

NO CHANGES ALLOWED WITHOUT PRIOR APPROVAL  
APPROVED PLANS MUST BE AT CONSTRUCTION SITE

*Jeremy J. Freeman*

5	REVISED PER TOWN COMMENTS	18NOV21	
4	REVISED PER TOWN COMMENTS	29SEP21	
3	PRELIMINARY PLAN REVISIONS	10AUG21	
2	PRELIMINARY PLAN REVISIONS	14APR21	
1	CORRECTED TYPO	17FEB21	
No.	Revision	Date	App.
Designed By:	Drawn by: JJR	Checked by: GES	
Scale:	N/A	Date:	20NOV20

Project Title:  
**CAMPOS SUBDIVISION**  
**A.P. 120 LOTS 68-A & 68-B**  
SERENITY DRIVE  
MIDDLETOWN  
RHODE ISLAND

Client/Owner:  
**MR. JUAN CAMPOS**  
162 BROADWAY, UNIT 1  
NEWPORT, RI 02840

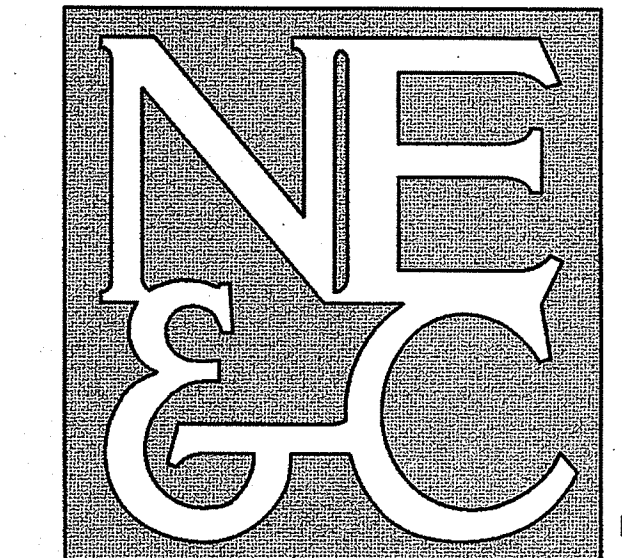
Issued for:  
**PERMITTING**

Drawing Title:  
**PROJECT NOTES**

Drawing Number: <b>C-2</b>
Sheet <b>2</b> of <b>11</b>
Project Number: <b>19187.0</b>
Survey Index: <b>- 120 - 68A &amp; B</b>

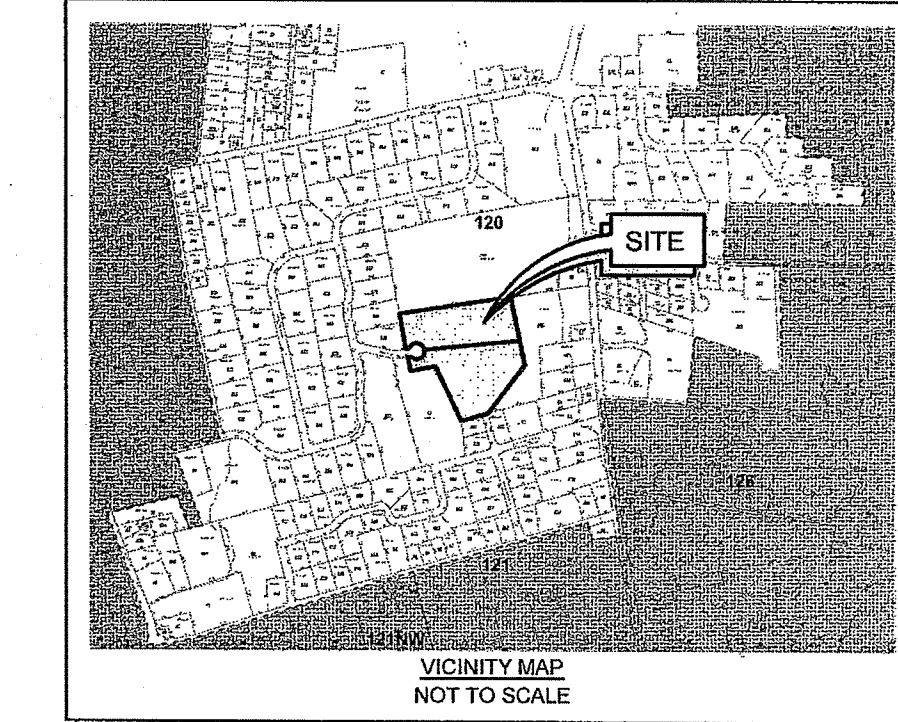
OWNERSHIP AND USE OF DOCUMENTS: DRAWINGS AND SPECIFICATIONS, AS INSTRUMENTS OF PROFESSIONAL SERVICE, ARE AND SHALL REMAIN THE PROPERTY OF THE ENGINEER. THESE DOCUMENTS ARE NOT TO BE USED, IN WHOLE OR PART, FOR ANY OTHER PROJECTS OR PURPOSES, OR BY ANY OTHER PARTIES, THAN THOSE PROPERLY AUTHORIZED BY CONTRACT, WITHOUT THE EXPRESS AUTHORIZATION OF THE ENGINEER.

SITE/CIVIL  
LAND PLANNING  
WATERFRONT  
SURVEYING  
GEOTECHNICAL  
ENVIRONMENTAL  
TRANSPORTATION  
STRUCTURAL  
MATERIALS TESTING



A KNOWLEDGE CORPORATION®

6 VALLEY ROAD MIDDLETOWN RHODE ISLAND 02842  
PHONE (401) 849-0810 FAX (401) 846-4169  
WWW.NORTHEASTENGINEERS.COM



RI DEPARTMENT OF ENVIRONMENTAL MANAGEMENT  
OFFICE OF WATER RESOURCES  
FRESHWATER WETLANDS PROGRAM  
APPROVED WITH CONDITIONS AS  
SPECIFIED IN THE LETTER OF APPROVAL  
DATED: JUN 22 2022 FILE # 20-0279  
NO CHANGES ALLOWED WITHOUT PRIOR APPROVAL  
APPROVED PLANS MUST BE AT CONSTRUCTION SITE  
*Nancy L. Freeman*

2	PRELIMINARY PLAN REVISIONS	29SEP21	
1	PRELIMINARY PLAN REVISIONS	10AUG21	
No.	Revision	Date	App.
Designed by:	Drawn by:	VAL	Checked by: SML
Scale:	1"=50'	Date:	20NOV20

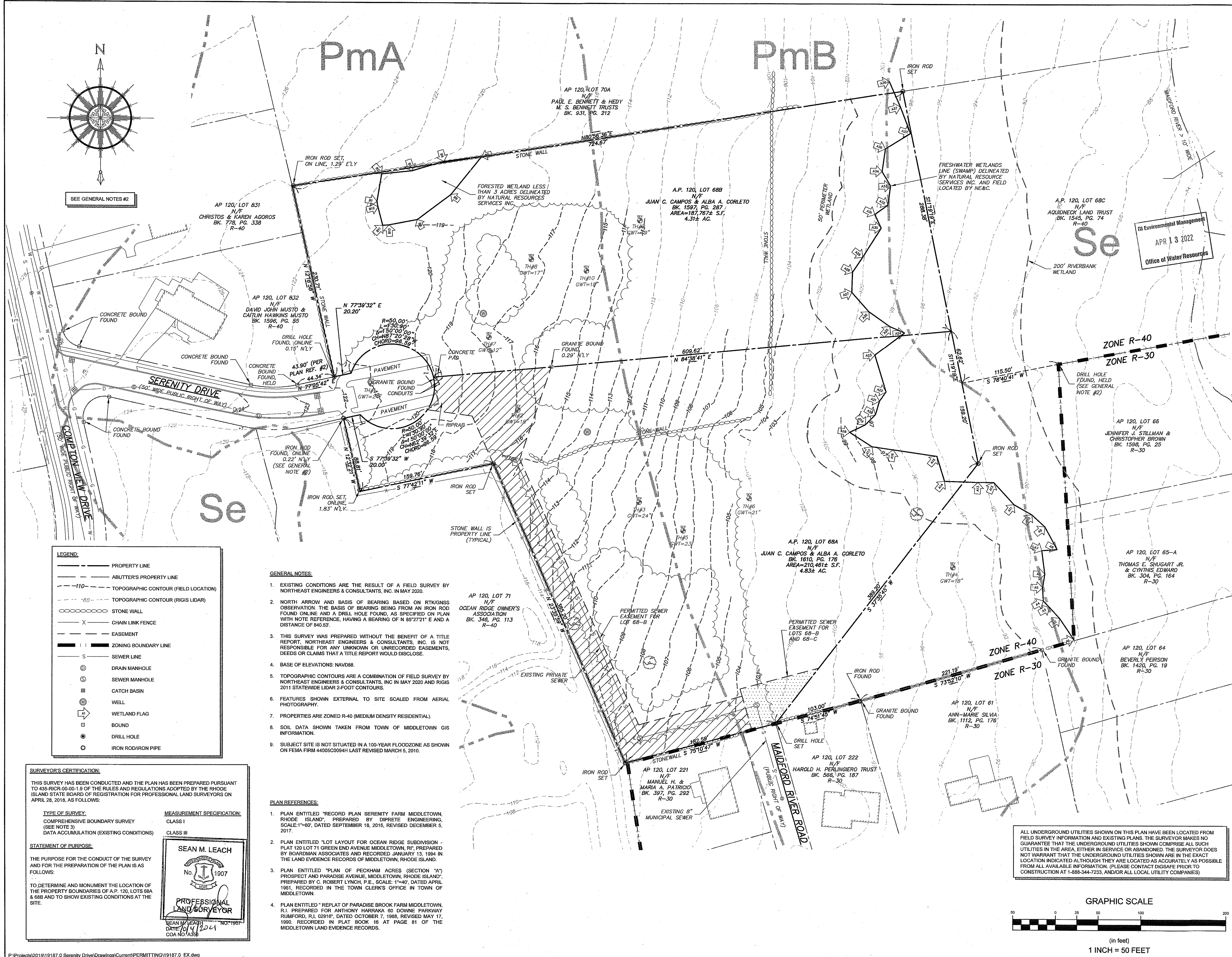
Project Title:  
**CAMPOS SUBDIVISION**  
A.P. 120, LOTS 68-A & 68-B  
SERENITY DRIVE  
MIDDLETOWN  
RHODE ISLAND

Client/Owner:  
MR. JUAN CAMPOS  
162 BROADWAY, UNIT 1  
NEWPORT, RI 02840

Issued for:  
PERMITTING

Drawing Title:  
**COMPREHENSIVE  
BOUNDARY SURVEY**  
WITH EXISTING CONDITIONS

Drawing Number:	C-3
Sheet	3 of 11
Project Number:	19187.1
Survey Index:	13 - 120 - 68A & 68B
OWNERSHIP AND USE OF DOCUMENTS: DRAWINGS AND SPECIFICATIONS, AS INSTRUMENTS OF PROFESSIONAL SERVICE, ARE AND SHALL REMAIN THE PROPERTY OF THE ENGINEER. THESE DOCUMENTS ARE NOT TO BE USED, IN WHOLE OR PART, FOR ANY OTHER PROJECTS OR PURPOSES, OR BY ANY OTHER PARTIES, THAN THOSE PROPERLY AUTHORIZED BY CONTRACT, WITHOUT THE EXPRESS AUTHORIZATION OF THE ENGINEER.	



**LEGEND:**

- PROPERTY LINE
- - - ABUTTER'S PROPERTY LINE
- 110- TOPOGRAPHIC CONTOUR (FIELD LOCATION)
- 88- TOPOGRAPHIC CONTOUR (RIGIS LIDAR)
- STONE WALL
- X CHAIN LINK FENCE
- - - EASEMENT
- || ZONING BOUNDARY LINE
- S SEWER LINE
- ⊕ DRAIN MANHOLE
- ⊙ SEWER MANHOLE
- ⊕ CATCH BASIN
- ⊙ WELL
- ⊕ WETLAND FLAG
- BOUND
- DRILL HOLE
- IRON ROD/IRON PIPE

**GENERAL NOTES:**

- EXISTING CONDITIONS ARE THE RESULT OF A FIELD SURVEY BY NORTHEAST ENGINEERS & CONSULTANTS, INC. IN MAY 2020.
- NORTH ARROW AND BASIS OF BEARING BASED ON RTK/GNSS OBSERVATION. THE BASIS OF BEARING BEING FROM AN IRON ROD FOUND ONLINE AND A DRILL HOLE FOUND, AS SPECIFIED ON PLAN WITH NOTE REFERENCE, HAVING A BEARING OF N 92°27'21" E AND A DISTANCE OF 840.53'.
- THIS SURVEY WAS PREPARED WITHOUT THE BENEFIT OF A TITLE REPORT, NORTHEAST ENGINEERS & CONSULTANTS, INC. IS NOT RESPONSIBLE FOR ANY UNKNOWN OR UNRECORDED EASEMENTS, DEEDS OR CLAIMS THAT A TITLE REPORT WOULD DISCLOSE.
- BASE OF ELEVATIONS: NAVD88.
- TOPOGRAPHIC CONTOURS ARE A COMBINATION OF FIELD SURVEY BY NORTHEAST ENGINEERS & CONSULTANTS, INC. IN MAY 2020 AND RIGIS 2011 STATEWIDE LIDAR 2-FOOT CONTOURS.
- FEATURES SHOWN EXTERNAL TO SITE SCALED FROM AERIAL PHOTOGRAPHY.
- PROPERTIES ARE ZONED R-40 (MEDIUM DENSITY RESIDENTIAL).
- SOIL DATA SHOWN TAKEN FROM TOWN OF MIDDLETOWN GIS INFORMATION.
- SUBJECT SITE IS NOT SITUATED IN A 100-YEAR FLOODZONE AS SHOWN ON FEMA FIRM 44050C0094H LAST REVISED MARCH 5, 2010.

**PLAN REFERENCES:**

- PLAN ENTITLED "RECORD PLAN SERENITY FARM MIDDLETOWN, RHODE ISLAND", PREPARED BY DIPRETE ENGINEERING, SCALE: 1"=60', DATED SEPTEMBER 18, 2015, REVISED DECEMBER 5, 2017.
- PLAN ENTITLED "LOT LAYOUT FOR OCEAN RIDGE SUBDIVISION - PLAT 120 LOT 71 GREEN END AVENUE MIDDLETOWN, RI", PREPARED BY BOARDMAN ASSOCIATES AND RECORDED JANUARY 13, 1994 IN THE LAND EVIDENCE RECORDS OF MIDDLETOWN, RHODE ISLAND.
- PLAN ENTITLED "PLAN OF PECKHAM ACRES (SECTION 'A') PROSPECT AND PARADISE AVENUE, MIDDLETOWN, RHODE ISLAND", PREPARED BY C. ROBERT LYNCH, P.E., SCALE: 1"=40', DATED APRIL 1981, RECORDED IN THE TOWN CLERK'S OFFICE IN TOWN OF MIDDLETOWN.
- PLAN ENTITLED "REPLAT OF PARADISE BROOK FARM MIDDLETOWN, R.I. PREPARED FOR ANTHONY HARRAKA 60 DOWNE PARKWAY RUMFORD, R.I. 02916", DATED OCTOBER 7, 1988, REVISED MAY 17, 1990, RECORDED IN PLAT BOOK 16 AT PAGE 81 OF THE MIDDLETOWN LAND EVIDENCE RECORDS.

**SURVEYOR'S CERTIFICATION:**

THIS SURVEY HAS BEEN CONDUCTED AND THE PLAN HAS BEEN PREPARED PURSUANT TO 435-RICR-00-00-1.9 OF THE RULES AND REGULATIONS ADOPTED BY THE RHODE ISLAND STATE BOARD OF REGISTRATION FOR PROFESSIONAL LAND SURVEYORS ON APRIL 28, 2018, AS FOLLOWS:

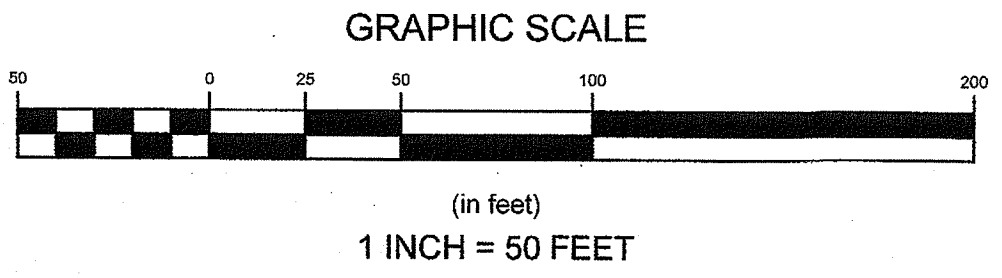
**TYPE OF SURVEY:**  
COMPREHENSIVE BOUNDARY SURVEY  
(SEE NOTE 3)  
DATA ACCUMULATION (EXISTING CONDITIONS)

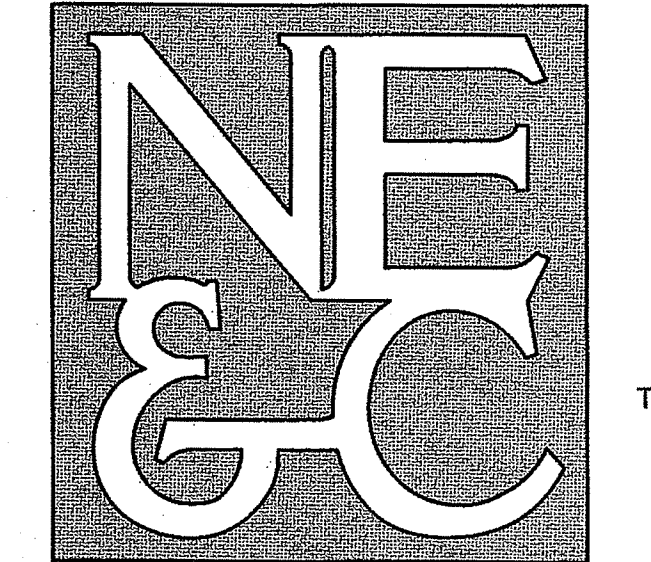
**MEASUREMENT SPECIFICATION:**  
CLASS I  
CLASS III

**STATEMENT OF PURPOSE:**  
THE PURPOSE FOR THE CONDUCT OF THE SURVEY AND FOR THE PREPARATION OF THE PLAN IS AS FOLLOWS:  
TO DETERMINE AND MONUMENT THE LOCATION OF THE PROPERTY BOUNDARIES OF A.P. 120, LOTS 68A & 68B AND TO SHOW EXISTING CONDITIONS AT THE SITE.

**SEAN M. LEACH**  
NO. 1907  
PROFESSIONAL LAND SURVEYOR  
DATE: 01/14/2021  
COA NO. A330

ALL UNDERGROUND UTILITIES SHOWN ON THIS PLAN HAVE BEEN LOCATED FROM FIELD SURVEY INFORMATION AND EXISTING PLANS. THE SURVEYOR MAKES NO GUARANTEE THAT THE UNDERGROUND UTILITIES SHOWN COMPRISE ALL SUCH UTILITIES IN THE AREA, EITHER IN SERVICE OR ABANDONED. THE SURVEYOR DOES NOT WARRANT THAT THE UNDERGROUND UTILITIES SHOWN ARE IN THE EXACT LOCATION INDICATED ALTHOUGH THEY ARE LOCATED AS ACCURATELY AS POSSIBLE FROM ALL AVAILABLE INFORMATION. (PLEASE CONTACT DISSAFE PRIOR TO CONSTRUCTION AT 1-888-344-7233, AND/OR ALL LOCAL UTILITY COMPANIES)





A KNOWLEDGE CORPORATION®

6 VALLEY ROAD MIDDLETOWN RHODE ISLAND 02842  
 PHONE (401) 849-0810 FAX (401) 846-4169  
 WWW.NORTHEASTENGINEERS.COM

SITE/CIVIL  
 LAND PLANNING  
 WATERFRONT  
 SURVEYING  
 GEOTECHNICAL  
 ENVIRONMENTAL  
 TRANSPORTATION  
 STRUCTURAL

ZONING DATA TABLE	
R-40 ZONE (STANDARD SUBDIVISION)	
MINIMUM LOT AREA	40,000 SQ. FT.
MINIMUM LOT WIDTH	150 FT.
MINIMUM SETBACKS	
FRONT LINE	40 FT.
SIDE LINE	30 FT.
REAR LINE	60 FT.
ACCESSORY SIDE	30 FT.
ACCESSORY REAR	15 FT.
MAXIMUM LOT COVERAGE	15%
MAXIMUM BUILDING HEIGHT	35 FT.
DEVELOPABLE LAND AREA	
TOTAL LAND AREA	406,864 SF
AREA TO BE EXCLUDED	
WETLAND AREA	36,613 SF
FLOOD ZONE	0 SF
STREET R.O.W.	28,804 SF
DRAINAGE/EASEMENTS	25,541 SF
TOTAL	90,968 SF
DEVELOPABLE LAND AREA	315,906 SF
MAXIMUM YIELD	
DEVELOPABLE AREA	315,906 SF
MAXIMUM NUMBER OF UNITS (CONVENTIONAL)	
315,906 / 40,000 SF	8 UNITS
NUMBER OF LOTS PROPOSED	5 UNITS

No.	Revision	Date	App.
4	REVISED PER TOWN COMMENTS	01MAR22	
4	REVISED PER TOWN COMMENTS	12NOV21	
3	REVISED PER TOWN COMMENTS	12OCT21	
2	REVISED PER TOWN COMMENTS	29SEP21	
1	PRELIMINARY PLAN REVISIONS	10AUG21	

Designed By: JJR Drawn by: JJR Checked by: GES  
 Scale: 1"=50' Date: REV. 01MAR22

Project Title:  
**CAMPOS SUBDIVISION**  
 A.P. 120 LOTS 68-A & 68-B  
 SERENITY DRIVE  
 MIDDLETOWN  
 RHODE ISLAND

Client/Owner:  
 MR. JUAN CAMPOS  
 162 BROADWAY, UNIT 1  
 NEWPORT, RI 02840

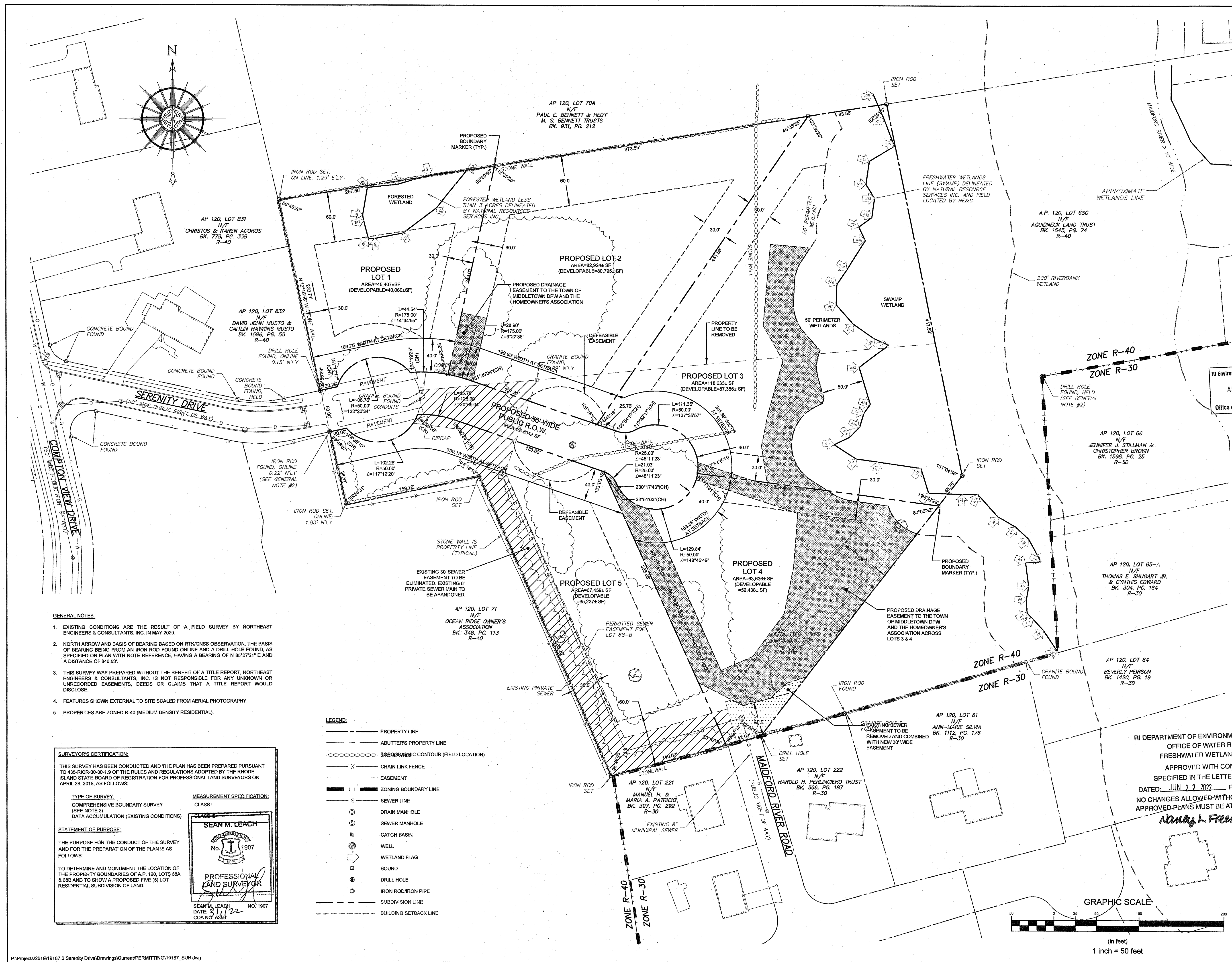
Issued for:  
 PERMITTING

Drawing Title:  
 RI DEPARTMENT OF ENVIRONMENTAL MANAGEMENT  
 OFFICE OF WATER RESOURCES  
 FRESHWATER WETLANDS PROGRAM  
**SUBDIVISION PLAN**

APPROVED WITH CONDITIONS AS SPECIFIED IN THE LETTER OF APPROVAL  
 DATED: JUN 22 2022 FILE #: 20-0279  
 NO CHANGES ALLOWED WITHOUT PRIOR APPROVAL  
 APPROVED PLANS MUST BE AT CONSTRUCTION SITE  
*Nancy L. Freeman*

Drawing Number:	C-4
Sheet	4 of 11
Project Number:	19187.0
Survey Index:	- 120 - 68A & B

OWNERSHIP AND USE OF DOCUMENTS: DRAWINGS AND SPECIFICATIONS, AS INSTRUMENTS OF PROFESSIONAL SERVICE, ARE AND SHALL REMAIN THE PROPERTY OF THE ENGINEER. THESE DOCUMENTS ARE NOT TO BE USED, IN WHOLE OR PART, FOR ANY OTHER PROJECTS OR PURPOSES, OR BY ANY OTHER PARTIES, THAN THOSE PROPERLY AUTHORIZED BY CONTRACT, WITHOUT THE EXPRESS AUTHORIZATION OF THE ENGINEER.



- GENERAL NOTES:**
- EXISTING CONDITIONS ARE THE RESULT OF A FIELD SURVEY BY NORTHEAST ENGINEERS & CONSULTANTS, INC. IN MAY 2020.
  - NORTH ARROW AND BASIS OF BEARING BASED ON RTK/GNSS OBSERVATION. THE BASIS OF BEARING BEING FROM AN IRON ROD FOUND ONLINE AND A DRILL HOLE FOUND, AS SPECIFIED ON PLAN WITH NOTE REFERENCE, HAVING A BEARING OF N 85°27'21" E AND A DISTANCE OF 840.53'.
  - THIS SURVEY WAS PREPARED WITHOUT THE BENEFIT OF A TITLE REPORT. NORTHEAST ENGINEERS & CONSULTANTS, INC. IS NOT RESPONSIBLE FOR ANY UNKNOWN OR UNRECORDED EASEMENTS, DEEDS OR CLAIMS THAT A TITLE REPORT WOULD DISCLOSE.
  - FEATURES SHOWN EXTERNAL TO SITE SCALED FROM AERIAL PHOTOGRAPHY.
  - PROPERTIES ARE ZONED R-40 (MEDIUM DENSITY RESIDENTIAL).

- LEGEND:**
- PROPERTY LINE
  - ADJUTER'S PROPERTY LINE
  - BOUNDARY CONTOUR (FIELD LOCATION)
  - CHAIN LINK FENCE
  - EASEMENT
  - ZONING BOUNDARY LINE
  - SEWER LINE
  - DRAIN MANHOLE
  - SEWER MANHOLE
  - CATCH BASIN
  - WELL
  - WETLAND FLAG
  - BOUND
  - DRILL HOLE
  - IRON ROD/IRON PIPE
  - SUBDIVISION LINE
  - BUILDING SETBACK LINE

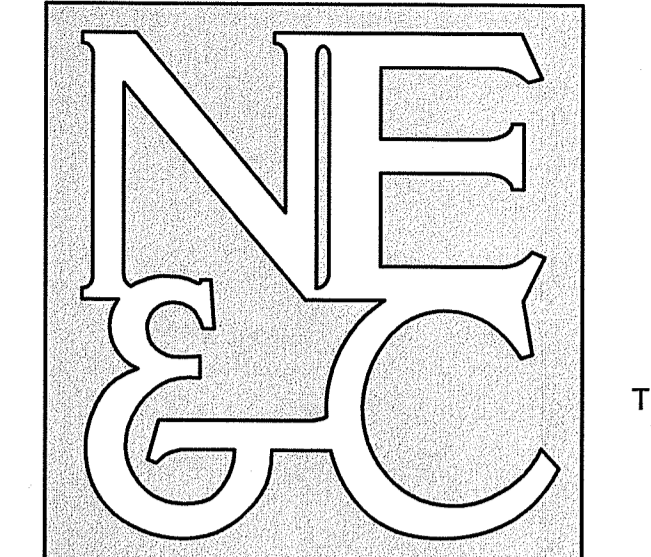
**SURVEYOR'S CERTIFICATION:**  
 THIS SURVEY HAS BEEN CONDUCTED AND THE PLAN HAS BEEN PREPARED PURSUANT TO 435-RICR-00-00-1.9 OF THE RULES AND REGULATIONS ADOPTED BY THE RHODE ISLAND STATE BOARD OF REGISTRATION FOR PROFESSIONAL LAND SURVEYORS ON APRIL 28, 2018, AS FOLLOWS:

**TYPE OF SURVEY:**  
 COMPREHENSIVE BOUNDARY SURVEY (SEE NOTE 3)  
 DATA ACCUMULATION (EXISTING CONDITIONS)

**MEASUREMENT SPECIFICATION:**  
 CLASS II

**STATEMENT OF PURPOSE:**  
 THE PURPOSE FOR THE CONDUCT OF THE SURVEY AND FOR THE PREPARATION OF THE PLAN IS AS FOLLOWS:  
 TO DETERMINE AND MONUMENT THE LOCATION OF THE PROPERTY BOUNDARIES OF A.P. 120, LOTS 68A & 68B AND TO SHOW A PROPOSED FIVE (5) LOT RESIDENTIAL SUBDIVISION OF LAND.

**SEAN M. LEACH**  
 No. 1907  
 PROFESSIONAL LAND SURVEYOR  
 DATE: 2/1/22  
 COA NO. 4358



A KNOWLEDGE CORPORATION®

6 VALLEY ROAD MIDDLETOWN RHODE ISLAND 02842  
PHONE (401) 849-0810 FAX (401) 846-4169  
WWW.NORTHEASTENGINEERS.COM

- LEGEND:
- PROPERTY LINE
  - ADJUTER'S PROPERTY LINE
  - - - TOPOGRAPHIC CONTOUR (FIELD LOCATION)
  - - - TOPOGRAPHIC CONTOUR (RIGIS LIDAR)
  - ZONING BOUNDARY LINE
  - SEWER LINE
  - ⊙ DRAIN MANHOLE
  - ⊙ SEWER MANHOLE
  - ⊙ CATCH BASIN
  - ⊙ WELL
  - ⊙ WETLAND FLAG
  - ⊙ BOUND
  - ⊙ DRILL HOLE
  - ⊙ IRON ROD/IRON PIPE
  - W 8 8" WATER MAIN
  - W WATER SERVICE
  - S 8 8" SEWER MAIN
  - S 6" SEWER SERVICE
  - G GAS MAIN / SERVICE
  - E ELEC / COM CONDUITS
  - ⊗ WATER GATE VALVE / ROAD BOX
  - ⊙ GAS VALVE / SHUTOFF VALVE
  - ⊙ SEWER MANHOLE

RI Environmental Management  
APR 13 2022  
Office of Water Resources

4	REVISED PER TOWN COMMENTS	01MAR22	
3	REVISED PER TOWN COMMENTS	29SEP21	
2	PRELIMINARY PLAN REVISIONS	10AUG21	
1	RIDEM REVISIONS	17FEB21	
No.	Revision	Date	App.
Designed By:	Drawn by: JJR	Checked by: GES	
Scale:	1"=50'	Date:	REV 01MAR22

Project Title:  
**CAMPOS SUBDIVISION**  
A.P. 120 LOTS 68-A & 68-B  
SERENITY DRIVE  
MIDDLETOWN  
RHODE ISLAND

Client/Owner:  
MR. JUAN CAMPOS  
162 BROADWAY, UNIT 1  
NEWPORT, RI 02840

Issued for:  
PERMITTING

Drawing Title:

RI DEPARTMENT OF ENVIRONMENTAL MANAGEMENT  
OFFICE OF WATER RESOURCES  
FRESHWATER WETLANDS PROGRAM  
APPROVED WITH CONDITIONS AS  
SPECIFIED IN THE LETTER OF APPROVAL  
DATED: JUN 22 2022 FILE # 20-0279  
NO CHANGES ALLOWED WITHOUT PRIOR APPROVAL  
APPROVED PLANS MUST BE AT CONSTRUCTION SITE  
*Nancy L. Freeman* JEREMY J. ROSA

Drawing Number:  
**C-5**

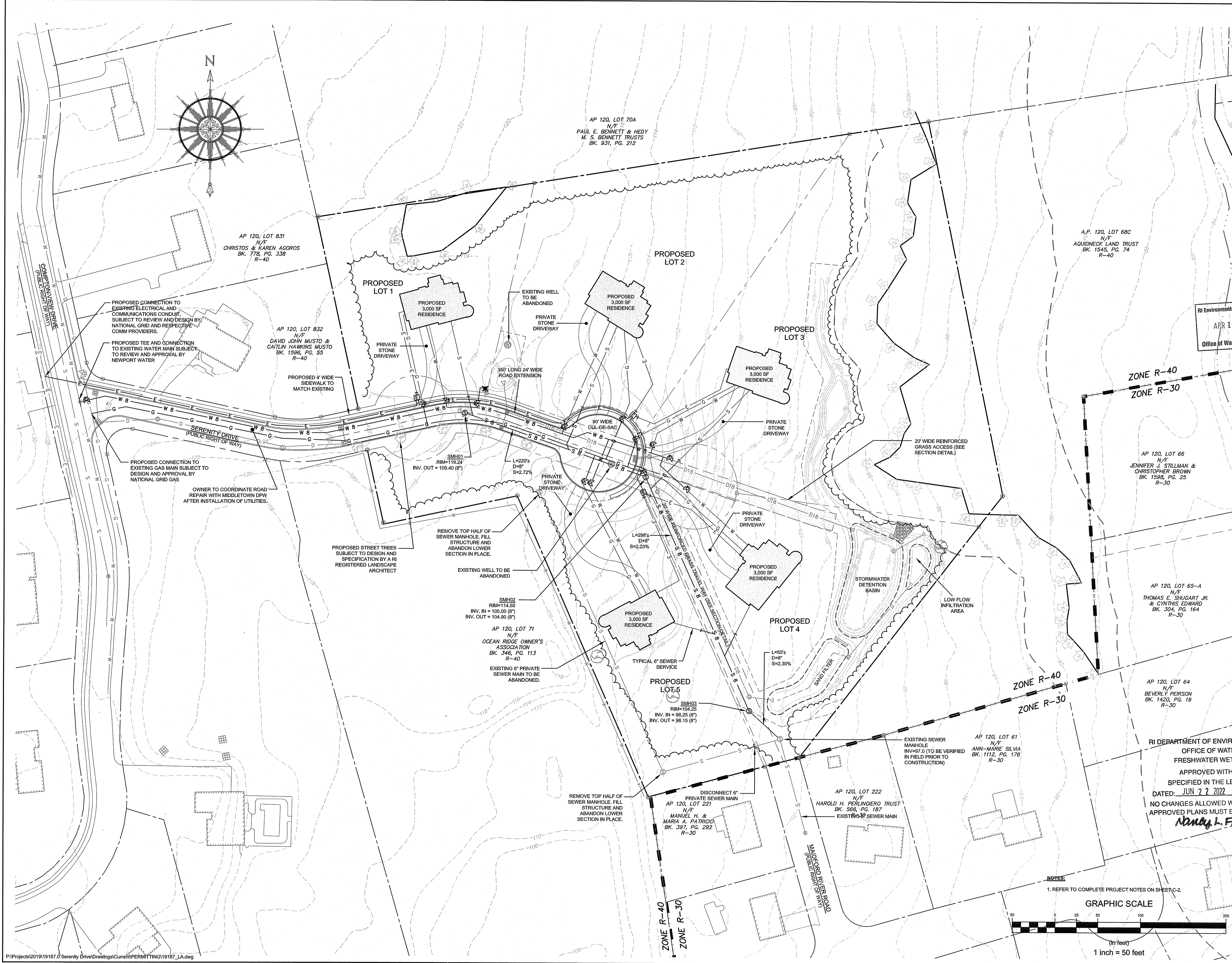
Sheet 5 of 11

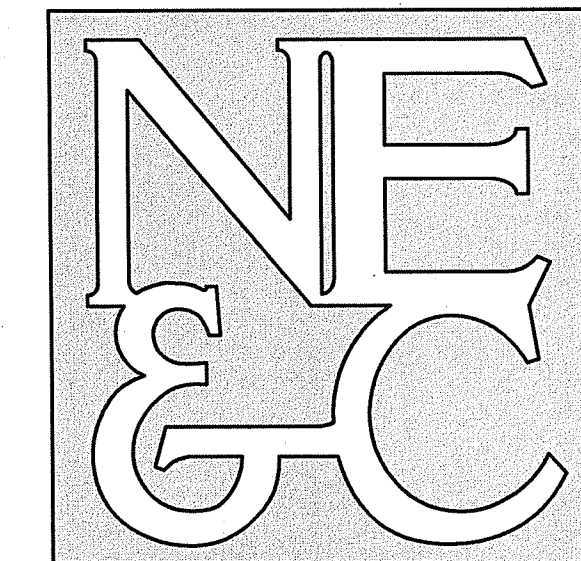
Project Number:  
**19187.0**

Survey Index:  
- 120 - 68A & B

No. 9826  
REGISTERED PROFESSIONAL ENGINEER  
JRM

OWNERSHIP AND USE OF DOCUMENTS: DRAWINGS AND SPECIFICATIONS, AS INSTRUMENTS OF PROFESSIONAL SERVICE, ARE AND SHALL REMAIN THE PROPERTY OF THE ENGINEER. THESE DOCUMENTS ARE NOT TO BE USED, IN WHOLE OR PART, FOR ANY OTHER PROJECTS OR PURPOSES, OR BY ANY OTHER PARTIES, THAN THOSE PROPERLY AUTHORIZED BY CONTRACT, WITHOUT THE EXPRESS AUTHORIZATION OF THE ENGINEER.





A KNOWLEDGE CORPORATION®

6 VALLEY ROAD MIDDLETOWN RHODE ISLAND 02842  
PHONE (401) 849-0810 FAX (401) 846-4169  
WWW.NORTHEASTENGINEERS.COM

SITE/CIVIL  
LAND PLANNING  
WATERFRONT  
SURVEYING  
GEOTECHNICAL  
ENVIRONMENTAL  
TRANSPORTATION  
STRUCTURAL

LEGEND:

- PROPERTY LINE
- - - ABUTTER'S PROPERTY LINE
- - - TOPOGRAPHIC CONTOUR (FIELD LOCATION)
- - - TOPOGRAPHIC CONTOUR (RIGIS LIDAR)
- W 6" 8" WATER MAIN
- W 8" WATER SERVICE
- S 8" 8" SEWER MAIN
- S 6" SEWER SERVICE
- G GAS MAIN / SERVICE
- E ELEC / COM CONDUITS
- WATER GATE VALVE / ROAD BOX
- GAS VALVE / SHUTOFF VALVE
- SEWER MANHOLE
- 100' PROPOSED TOPOGRAPHY
- +100.0 PROPOSED SPOT ELEVATION
- PROPOSED CATCH BASIN
- PROPOSED DRAIN MANHOLE
- PROPOSED SWALE

RI Environmental Management  
APR 13 2022  
Office of Water Resources

6	PRELIMINARY PLAN REVISIONS	01MAR22
5	PRELIMINARY PLAN REVISIONS	15NOV21
4	PRELIMINARY PLAN REVISIONS	12OCT21
3	PRELIMINARY PLAN REVISIONS	28AUG21
2	PRELIMINARY PLAN REVISIONS	10AUG21
1	RIDEM REVISIONS	17FEB21

Designed By: JJR Drawn by: JJR Checked by: GES  
Scale: 1"=50' Date: REV 01MAR22

Project Title:  
**CAMPOS SUBDIVISION**  
**A.P. 120 LOTS 68-A & 68-B**  
SERENITY DRIVE  
MIDDLETOWN  
RHODE ISLAND

Client/Owner:  
MR. JUAN CAMPOS  
162 BROADWAY, UNIT 1  
NEWPORT, RI 02840

Issued for:  
PERMITTING

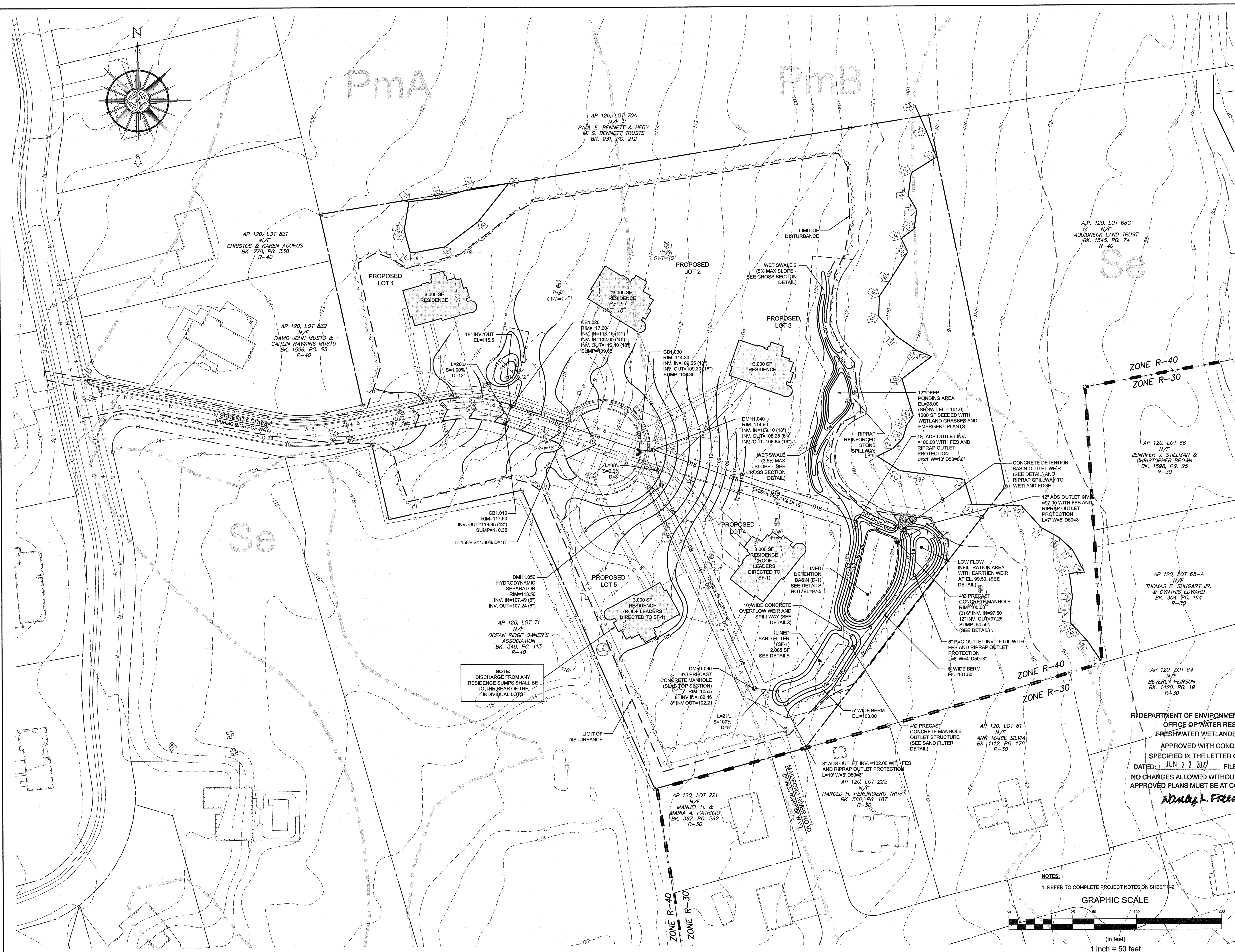
REDEPARTMENT OF ENVIRONMENTAL MANAGEMENT  
OFFICE OF WATER RESOURCES

FRESHWATER WETLANDS PROGRAM  
APPROVED WITH CONDITIONS AS  
SPECIFIED IN THE LETTER OF APPROVAL  
DATED: JUN 22 2022 FILE #: 20-0279  
NO CHANGES ALLOWED WITHOUT PRIOR APPROVAL  
APPROVED PLANS MUST BE AT CONSTRUCTION SITE

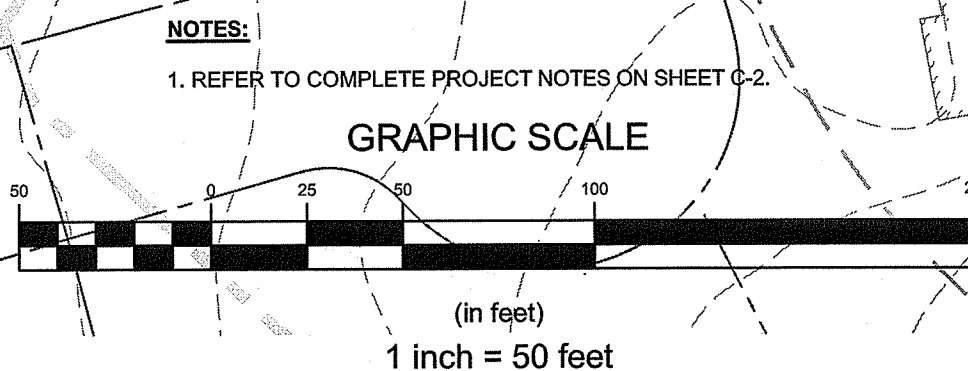
Drawing Number: **C-6**  
Sheet **6** of **11**  
Project Number: **19187.0**  
Survey Index: **- 120 - 68A & B**

**JEREMY J. ROSA**  
No. **9826**  
REGISTERED PROFESSIONAL ENGINEER  
01MAR22

OWNERSHIP AND USE OF DOCUMENTS: DRAWINGS AND SPECIFICATIONS, AS INSTRUMENTS OF PROFESSIONAL SERVICE, ARE AND SHALL REMAIN THE PROPERTY OF THE ENGINEER. THESE DOCUMENTS ARE NOT TO BE USED, IN WHOLE OR PART, FOR ANY OTHER PROJECTS OR PURPOSES, OR BY ANY OTHER PARTIES, THAN THOSE PROPERLY AUTHORIZED BY CONTRACT, WITHOUT THE EXPRESS AUTHORIZATION OF THE ENGINEER.



NOTE:  
DISCHARGE FROM ANY  
RESIDENCE SUMPS SHALL BE  
TO THE REAR OF THE  
INDIVIDUAL LOTS





**NORTHEAST ENGINEERS & CONSULTANTS, INC.**

**NE & C**

A KNOWLEDGE CORPORATION®

6 VALLEY ROAD MIDDLETOWN RHODE ISLAND 02842  
 PHONE (401) 849-0810 FAX (401) 846-4169  
 WWW.NORTHEASTENGINEERS.COM

- SITE/CIVIL
- LAND PLANNING
- WATERFRONT
- SURVEYING
- GEOTECHNICAL
- ENVIRONMENTAL
- TRANSPORTATION
- STRUCTURAL

RI Environmental Management  
 APR 13 2022  
 Office of Water Resources

- LEGEND:**
- PROPERTY LINE
  - - - ABUTTER'S PROPERTY LINE
  - 110- TOPOGRAPHIC CONTOUR (FIELD LOCATION)
  - 110- TOPOGRAPHIC CONTOUR (RIGIS LIDAR)
  - W 8 8" WATER MAIN
  - S 8 8" SEWER MAIN
  - G GAS MAIN / SERVICE
  - E ELEC / COM CONDUITS
  - WATER GATE VALVE / ROAD BOX
  - GAS VALVE / SHUTOFF VALVE
  - SEWER MANHOLE
  - PROPOSED CATCH BASIN
  - PROPOSED DRAIN MANHOLE
  - F.S. PROPOSED EROSION CONTROL BARRIER
  - - - PROPOSED LIMIT OF DISTURBANCE
  - - - PROPOSED CONSTRUCTION GRADING
  - PROPOSED STRAW BALES

No.	Revision	Date	App.
4	REVISED PER TOWN COMMENT	01MAR22	
3	REVISED PER TOWN COMMENT	15NOV21	
2	REVISED PER TOWN COMMENT	29SEP21	
1	RIDEM REVISIONS	17FEB21	

Designed By: JJR Drawn by: JJR Checked by: GES  
 Scale: 1"=50' Date: REV 01MAR22

Project Title:  
**CAMPOS SUBDIVISION**  
**A.P. 120 LOTS 68-A & 68-B**  
 SERENITY DRIVE  
 MIDDLETOWN  
 RHODE ISLAND

Client/Owner:  
 MR. JUAN CAMPOS  
 162 BROADWAY, UNIT 1  
 NEWPORT, RI 02840

Issued for:  
 PERMITTING

RI DEPARTMENT OF ENVIRONMENTAL MANAGEMENT  
 OFFICE OF WATER RESOURCES  
 FRESHWATER WETLANDS PROGRAM  
 APPROVED WITH CONDITIONS AS SPECIFIED IN THE LETTER OF APPROVAL  
 DATED: JUN 22 2022 FILE #: 20-0239  
 NO CHANGES ALLOWED WITHOUT PRIOR APPROVAL  
 APPROVED PLANS MUST BE AT CONSTRUCTION SITE

*Nancy L. Freeman*

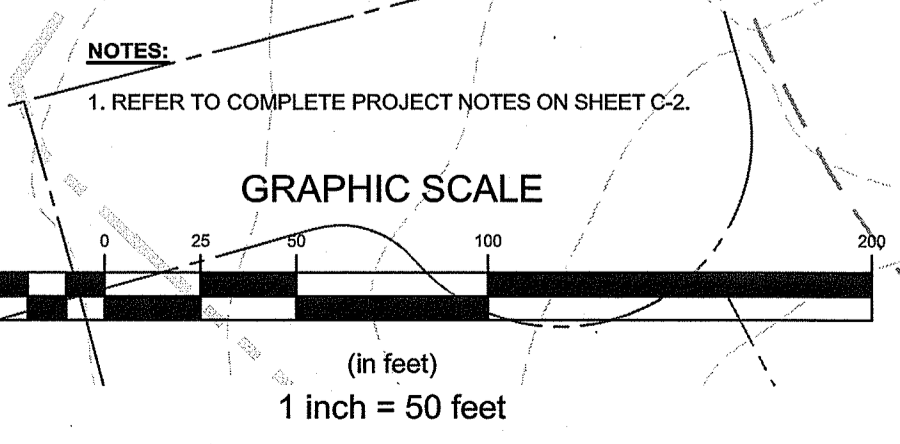
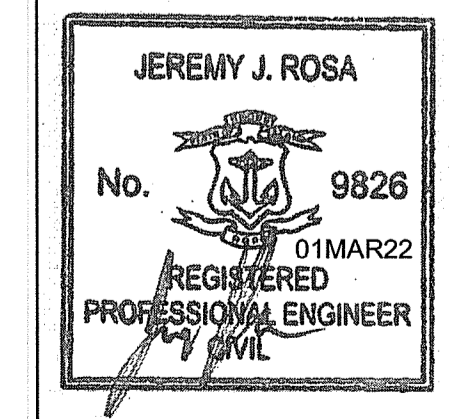
Drawing Title:  
**PROPOSED SOIL EROSION AND SEDIMENT CONTROL PLAN**

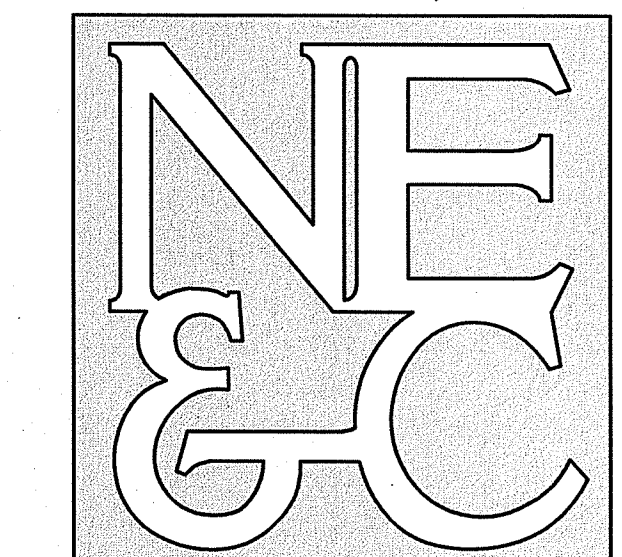
Drawing Number:  
**C-7**

Sheet **7** of **11**

Project Number:  
**19187.0**

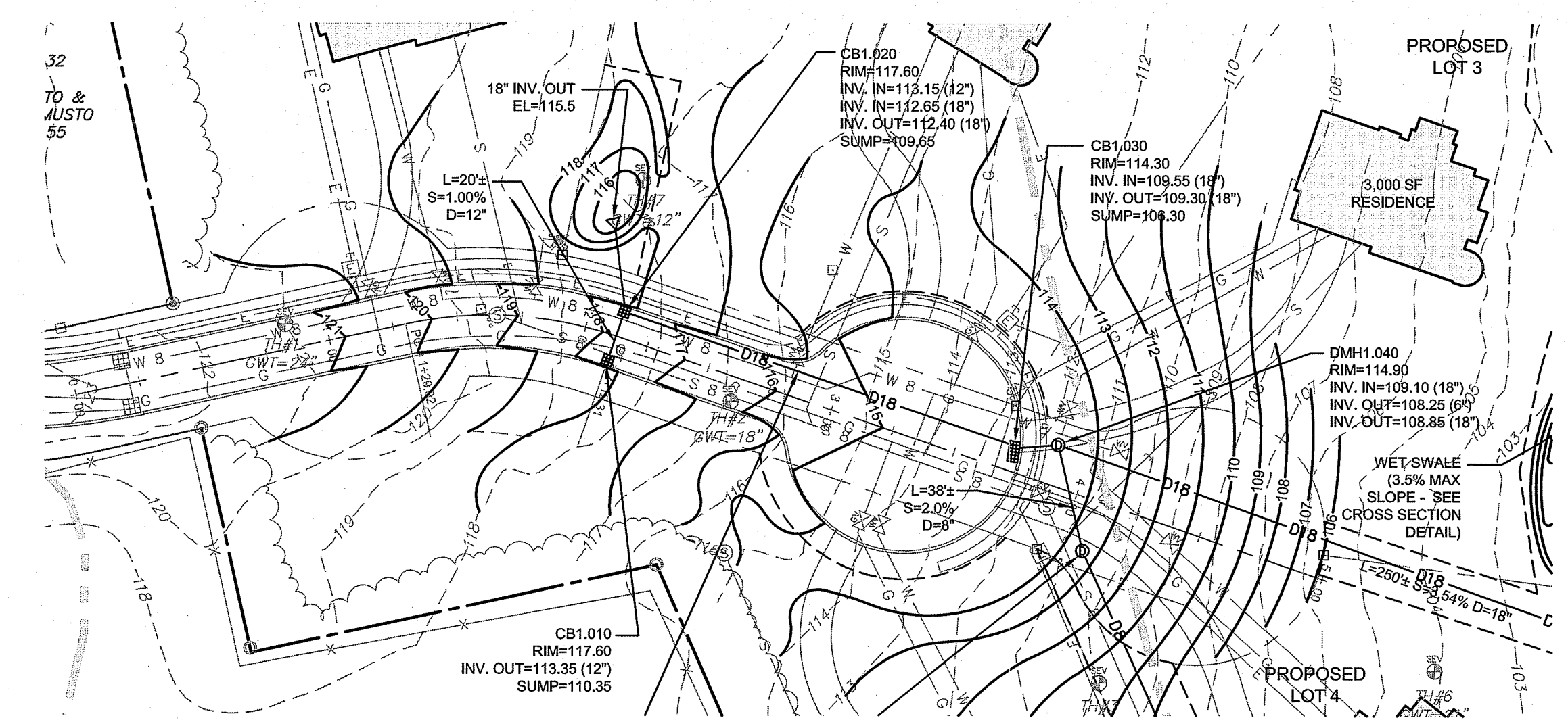
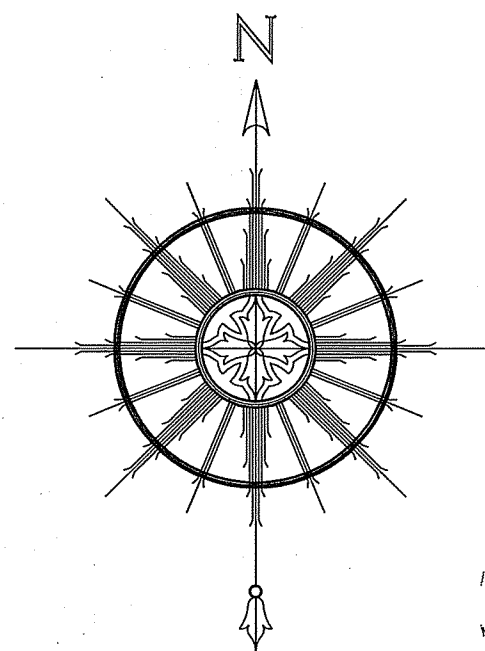
Survey Index:  
 - 120 - 68A & B



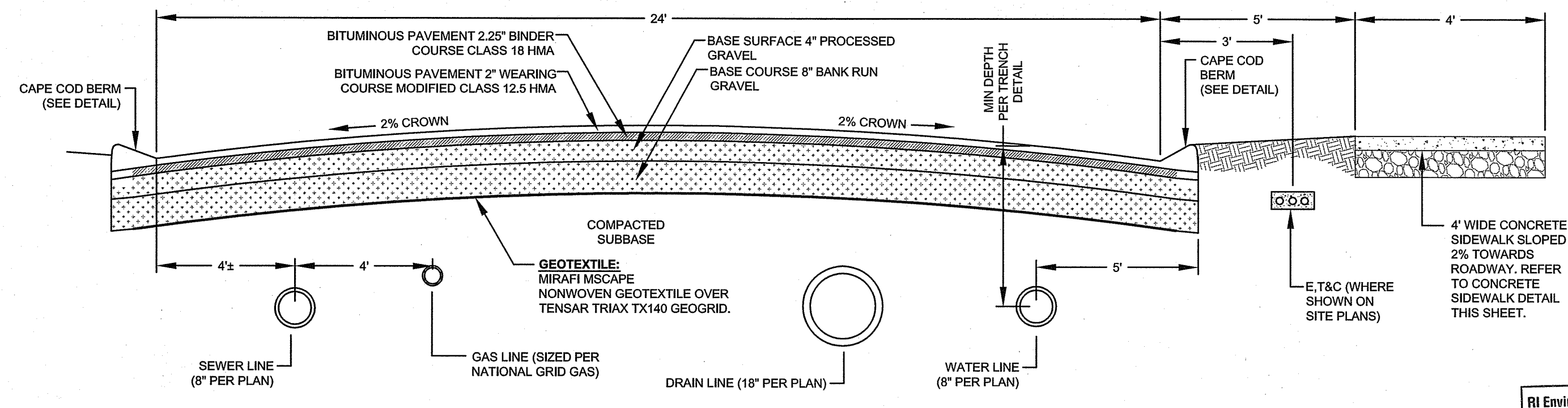


A KNOWLEDGE CORPORATION®

6 VALLEY ROAD MIDDLETOWN RHODE ISLAND 02842  
PHONE (401) 849-0810 FAX (401) 846-4169  
WWW.NORTHEASTENGINEERS.COM



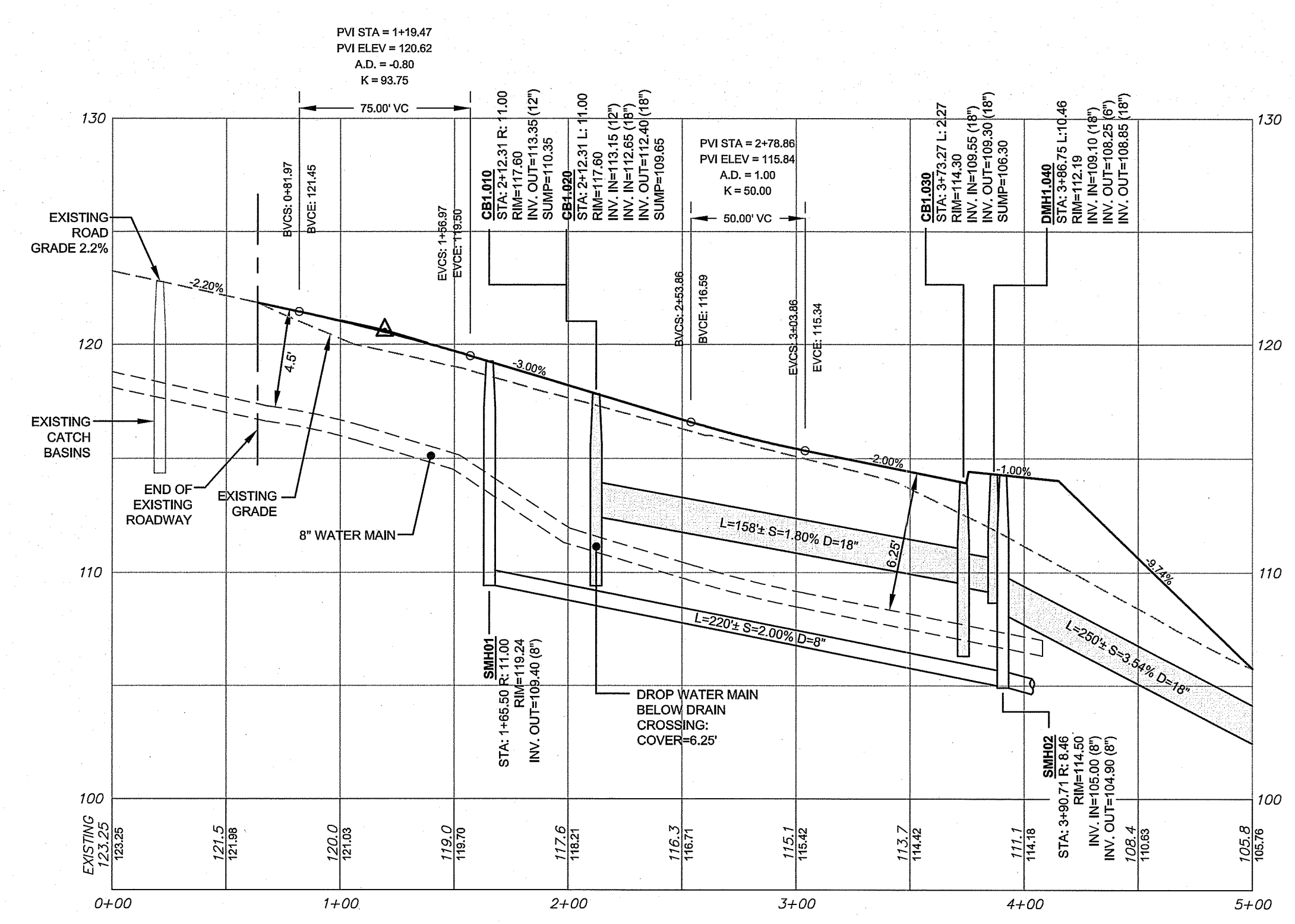
**RIGHT OF WAY PROFILE STA 0+00 - 5+00 (END)**  
HORIZONTAL SCALE: 1"=50'  
VERTICAL SCALE: 1"=5'



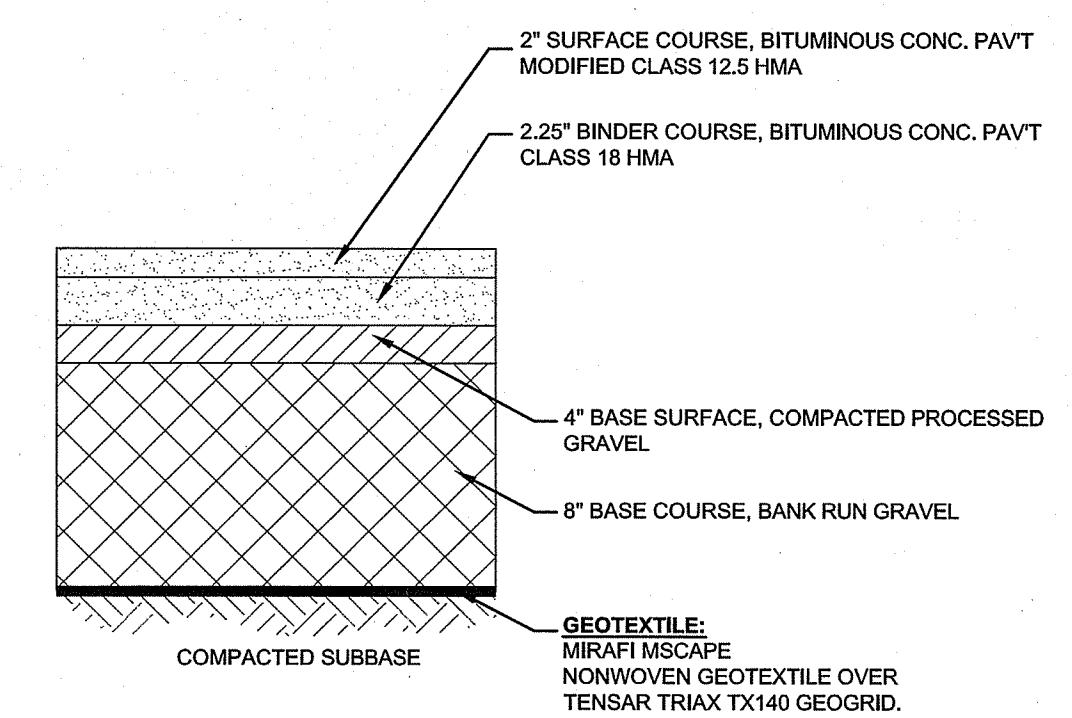
**NOTES:**  
1. REFER TO TRENCH DETAIL FOR MINIMUM BURIAL DEPTHS.  
2. REFER TO EARTHWORK NOTES FOR ROADWAY AND SIDEWALK SUBGRADE PREPARATION.

**ROAD SECTION STA 0+25 - 5+30 (END)**  
SCALE: NOT TO SCALE

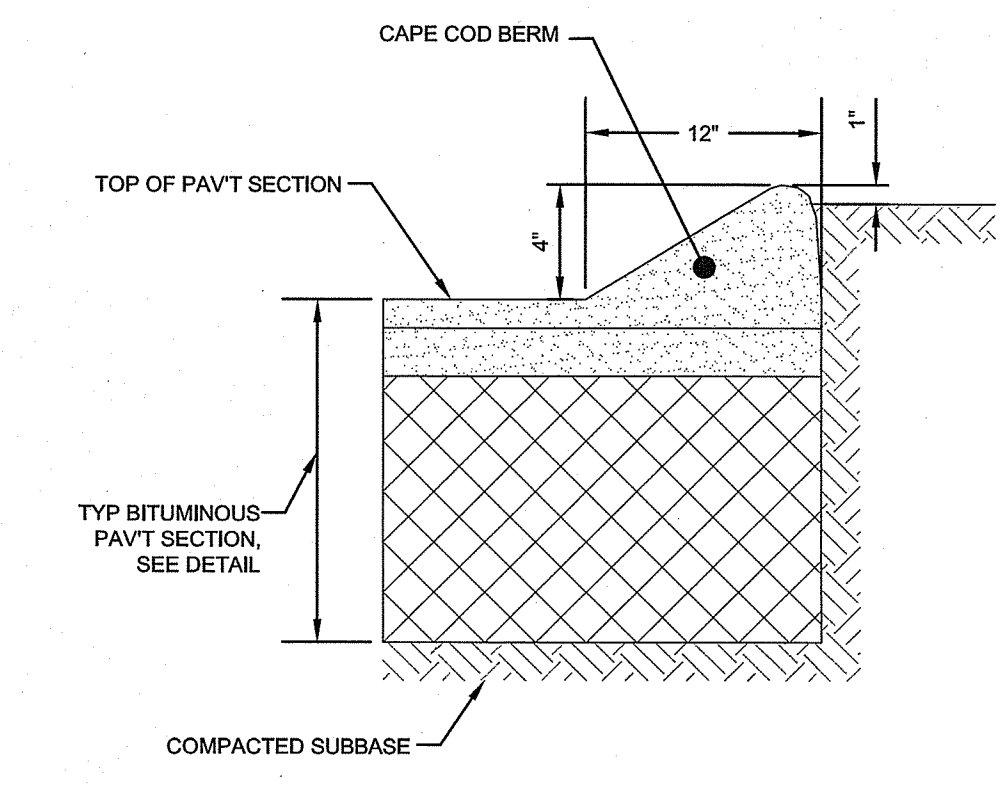
RI Environmental Management  
APR 13 2022  
Office of Water Resources



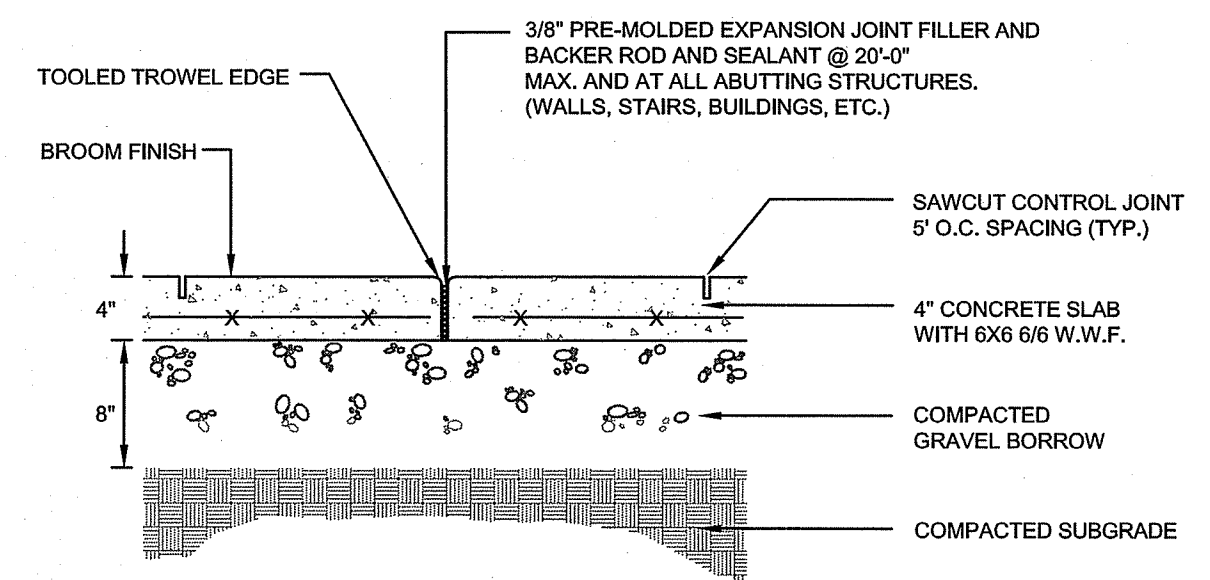
**RIGHT OF WAY PROFILE STA 0+00 - 5+00 (END)**  
HORIZONTAL SCALE: 1"=50'  
VERTICAL SCALE: 1"=5'



**TYPICAL BITUMINOUS PAVEMENT SECTION**  
SCALE: NOT TO SCALE



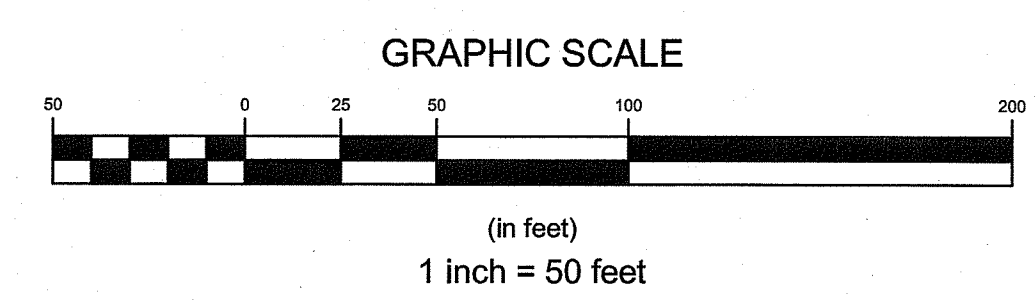
**TYPICAL CAPE COD BERM**  
SCALE: NOT TO SCALE



**NOTE:** LANDSCAPE ARCHITECT MAY SPECIFY ALTERNATE CONCRETE WALKWAY SECTION. FINAL WALKWAY SPECIFICATION MUST BE APPROVED BY OWNER.

**CONCRETE WALKWAY SECTION**  
SCALE: NOT TO SCALE

RI DEPARTMENT OF ENVIRONMENTAL MANAGEMENT  
OFFICE OF WATER RESOURCES  
FRESHWATER WETLANDS PROGRAM  
APPROVED WITH CONDITIONS AS SPECIFIED IN THE LETTER OF APPROVAL  
DATED: JUN 22 2022 FILE #: 20-0279  
NO CHANGES ALLOWED WITHOUT PRIOR APPROVAL  
APPROVED PLANS MUST BE AT CONSTRUCTION SITE  
*Dorothy L. Freeman*



No.	Revision	Date	App.
6	REVISED PER TOWN COMMENTS	01MAR22	
5	REVISED PER TOWN COMMENTS	25OCT21	
4	REVISED PER TOWN COMMENTS	12OCT21	
3	REVISED PER TOWN COMMENTS	28SEP21	
2	PRELIMINARY PLAN REVISIONS	10AUG21	
1	RIDEM REVISIONS	17FEB21	

Designed By: JJR Drawn by: JJR Checked by: GES  
Scale: AS SHOWN Date: REV. 01MAR22

Project Title:  
**CAMPOS SUBDIVISION**  
A.P. 120 LOTS 68-A & 68-B  
SERENITY DRIVE  
MIDDLETOWN  
RHODE ISLAND

Client/Owner:  
MR. JUAN CAMPOS  
162 BROADWAY, UNIT 1  
NEWPORT, RI 02840

Issued for:  
PERMITTING

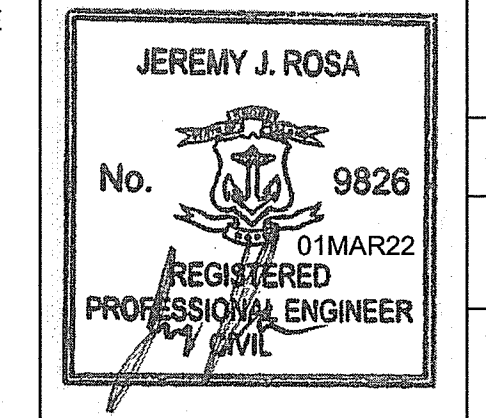
Drawing Title:  
**PROPOSED ROAD PROFILE**

Drawing Number:  
**C-8**

Sheet **8** of **11**

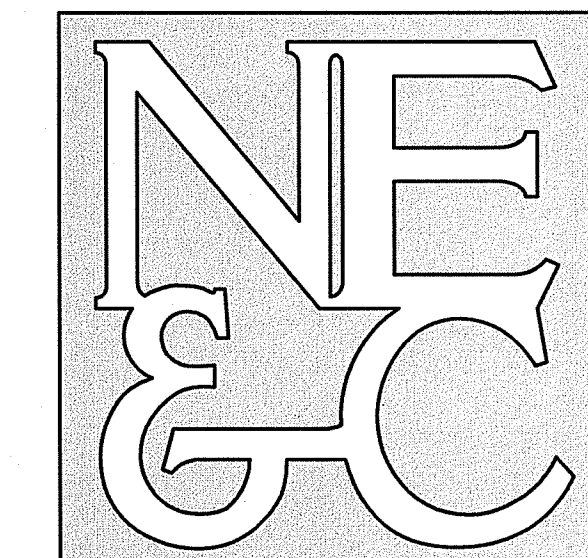
Project Number:  
**19187.0**

Survey Index:  
**- 120 - 68A & B**



OWNERSHIP AND USE OF DOCUMENTS: DRAWINGS AND SPECIFICATIONS, AS INSTRUMENTS OF PROFESSIONAL SERVICE, ARE AND SHALL REMAIN THE PROPERTY OF THE ENGINEER. THESE DOCUMENTS ARE NOT TO BE USED, IN WHOLE OR PART, FOR ANY OTHER PROJECTS OR PURPOSES, OR BY ANY OTHER PARTIES, THAN THOSE PROPERLY AUTHORIZED BY CONTRACT, WITHOUT THE EXPRESS AUTHORIZATION OF THE ENGINEER.

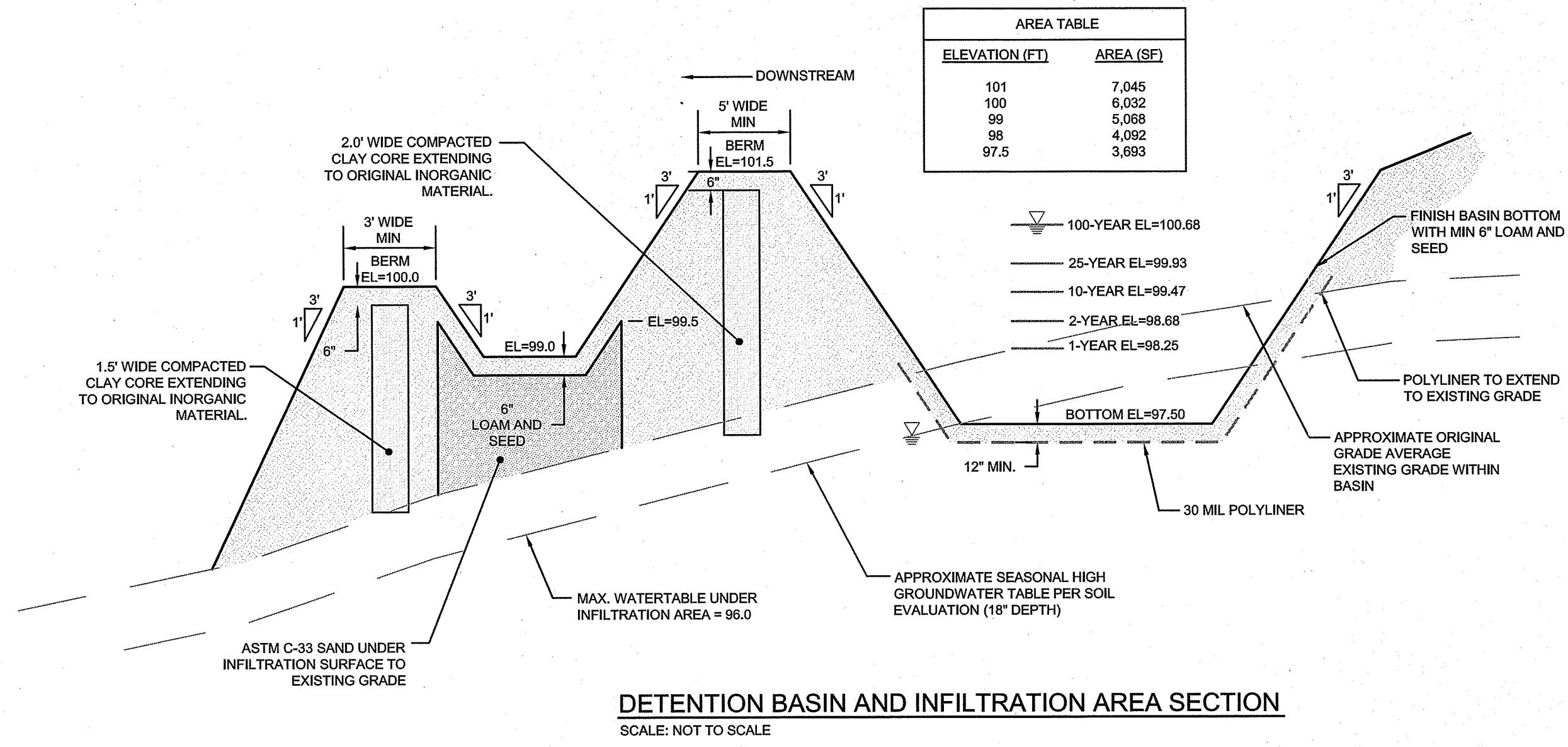




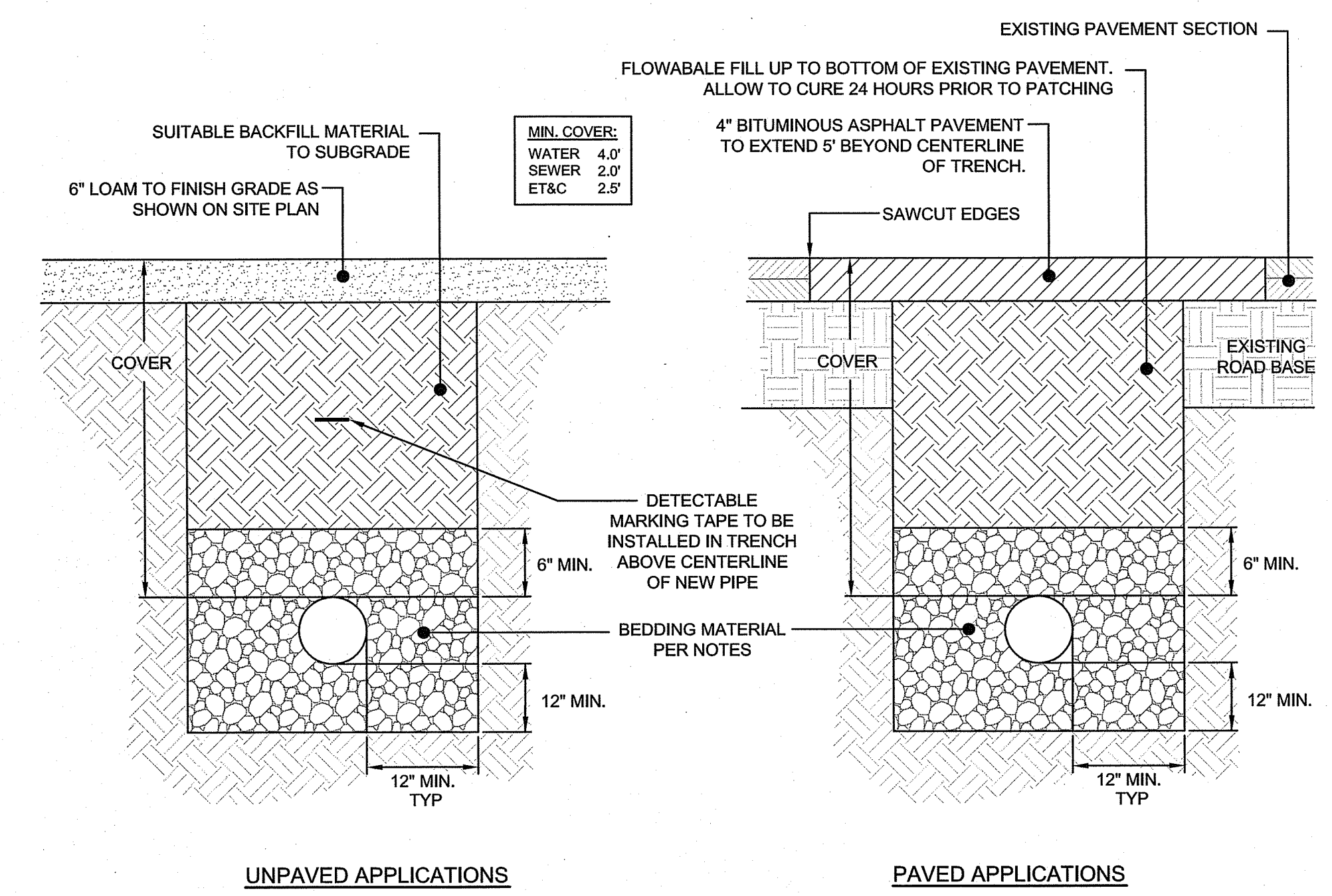
A KNOWLEDGE CORPORATION®

6 VALLEY ROAD MIDDLETOWN RHODE ISLAND 02842  
PHONE (401) 849-0810 FAX (401) 846-4169  
WWW.NORTHEASTENGINEERS.COM

SITE/CIVIL  
LAND PLANNING  
WATERFRONT  
SURVEYING  
GEOTECHNICAL  
ENVIRONMENTAL  
TRANSPORTATION  
STRUCTURAL

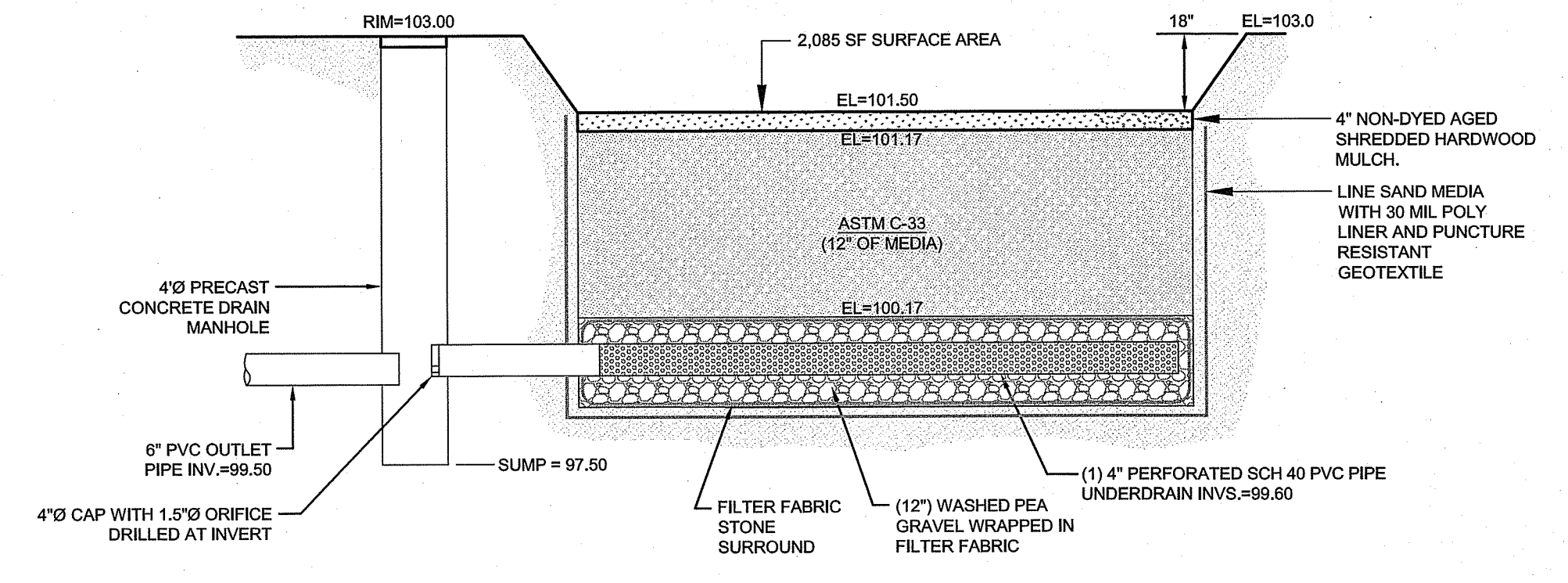


DETENTION BASIN AND INFILTRATION AREA SECTION  
SCALE: NOT TO SCALE



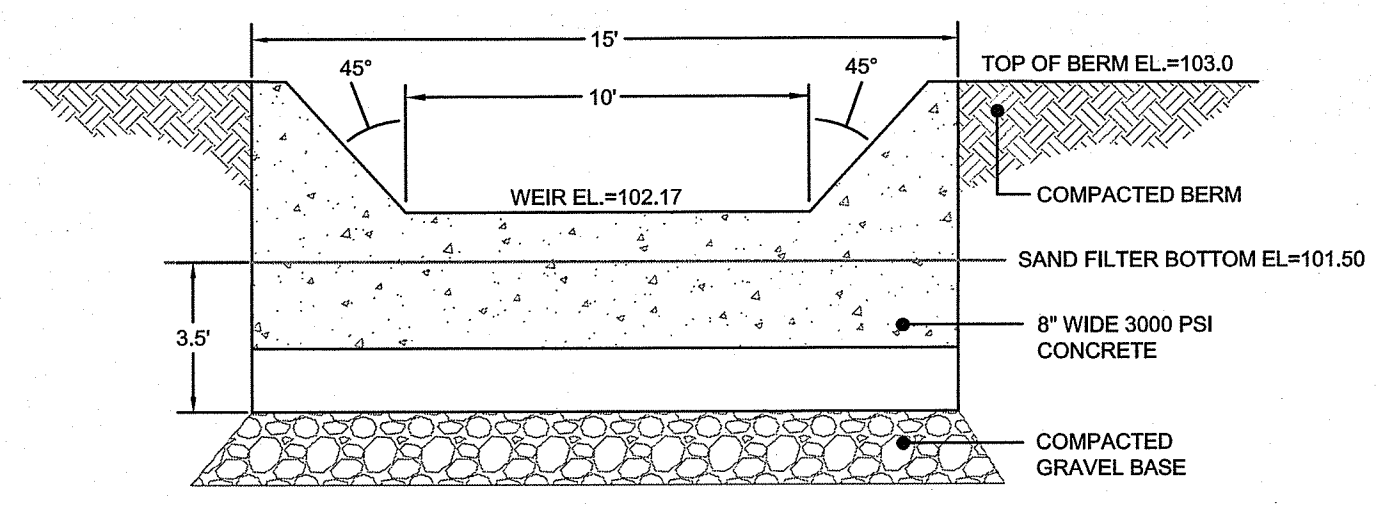
UTILITY TRENCH DETAIL  
SCALE: NOT TO SCALE

- TRENCH NOTES:**
- UNDESIRABLE MATERIAL SHALL BE EXCAVATED TO A MINIMUM DEPTH OF 12-INCHES BELOW THE DESIGN INVERT ELEVATION.
  - TRENCH PROTECTION SHALL BE REQUIRED IN ACCORDANCE WITH OSHA REGULATIONS, AND AS OTHERWISE REQUIRED TO PROTECT UTILITIES, ROADWAYS, AND ADJACENT STRUCTURES.
  - SEWER AND DRAIN PIPES SHALL BE LAID BEGINNING AT THE DOWNSTREAM END OF THE PIPE LINE.
  - ALL PVC SEWER PIPES SHALL BE IPEX RING-TITE SDR 35, OR SIMILAR APPROVED.
  - ALL DRAIN PIPES SHALL BE ADS N-12 TYPE 1B (SOILTIGHT) UNLESS OTHERWISE INDICATED.
  - ALL SEWER PIPE AND GASKETS SHALL CONFORM TO ASTM 3034 AND ASTM F679.
  - BACKFILL MATERIAL SHALL BE PLACED IN LAYERS NOT TO EXCEED 12" IN HEIGHT WHEN INSTALLED UNDER LANDSCAPED AREAS ONLY. INSTALLATIONS UNDER PAVEMENT REQUIRE BACKFILL MATERIAL TO BE PLACED IN LAYERS NOT TO EXCEED 6" IN HEIGHT. THESE LAYERS SHALL BE COMPACTED TO 98% MAXIMUM DENSITY (AASHTO T199). SUITABLE BACKFILL SHALL BE FREE OF LOAM, CLAY, ORGANIC MATTER AND PARTICLES LARGER THAN 2 INCHES IN DIAMETER.
  - SEWER AND DRAINAGE PIPE TRENCHES SHALL BE BEDDED WITH CRUSHED STONE OR SCREENED GRAVEL. THESE MATERIALS MUST CONFORM TO RIDOT STANDARD M.01.09 TYPE II MATERIAL.
  - WATER PIPE TRENCHES MUST BE BEDDED WITH SAND CONTAINING NO PARTICLES LARGER THAN 3/8". THIS MATERIAL MUST CONFORM TO AASHTO M6 REQUIREMENTS.
  - UTILITY INSTALLATIONS SHALL CONFORM TO ALL REQUIREMENTS OF THE TOWN OF MIDDLETOWN PUBLIC WORKS DEPARTMENT.
  - WHEN TRENCH EXCAVATION IS ADJACENT TO OR UNDER EXISTING STRUCTURES OR FACILITIES, THE CONTRACTOR SHALL BE RESPONSIBLE FOR PROPERLY SHEETING AND BRACING THE EXCAVATION AND STABILIZING THE EXISTING GROUND TO RENDER IT SAFE AND SECURE FROM POSSIBLE SLIDES, CAVES AND SETTLEMENT AND FOR PROPERLY SUPPORTING EXISTING STRUCTURES AND FACILITIES WITH BEAMS, STRUTS OR UNDERPINNING TO FULLY PROTECT THEM FROM DAMAGE.
  - INSTALL TRENCH DAMS AT 100-FOOT INTERVALS ON SEWER, DRAIN, AND WATER MAINS AS SHOWN ON DETAIL (THIS SHEET).

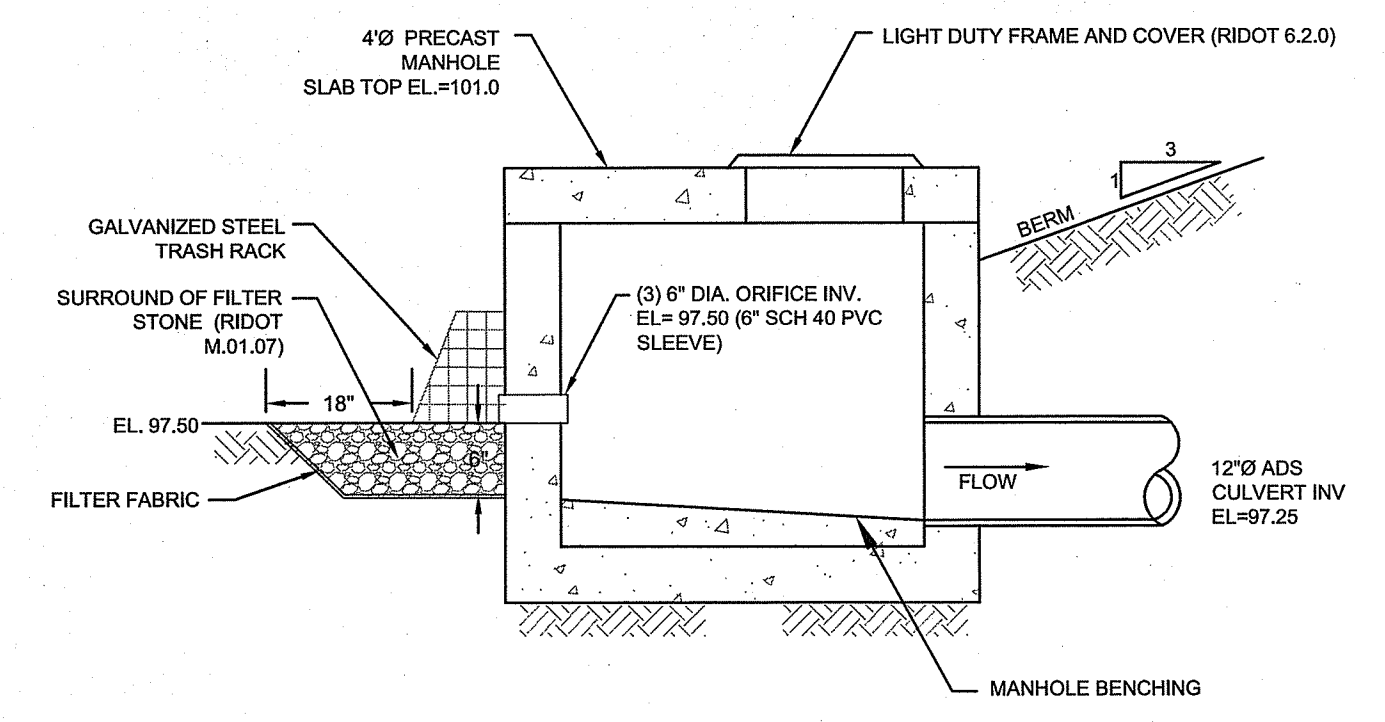


- SAND FILTER NOTES:**
- SAND FILTER SHALL BE PLANTED WITH NEW ENGLAND WETMIX (WETLAND SEED MIX) BY NEW ENGLAND WETLAND PLANTS, INC. OR APPROVED EQUAL.
  - SAND FILTER SAND TO BE CLEAN AASHTO M-6 OR ASTM C-33 CONCRETE SAND (0.02" TO 0.42"). SAND SUBSTITUTIONS SUCH AS DIABASE AND GRAYSTONE #10 ARE NOT ACCEPTABLE. NO CALCIUM CARBONATE OR DOLOMITIC SAND SUBSTITUTIONS ARE ACCEPTABLE. NO ROCK DUST CAN BE USED AS SAND.
  - UNDERDRAIN GRAVEL SHALL CONFORM TO AASHTO M-43, 0.25" TO 0.75". MATERIAL MUST BE WASHED CLEAN GRAVEL.
  - UNDERDRAIN SHALL BE SCHEDULE 40 PVC PIPE CONFORMING TO ASTM D-1785 OR AASHTO M-278. PERFORATIONS SHALL BE 3/8" @ 6" ON CENTER. PIPE SHALL HAVE 3" OF GRAVEL OVER PIPE. PIPE TO BE WRAPPED IN GEOTEXTILE FABRIC CONFORMING TO FLOWRATE INDICATED IN NOTE 5.
  - IMPERMEABLE LINER MAY BE ONE OF THE FOLLOWING: (A) MIN. OF 6 INCHES OF CLAYSOIL (MINIMUM 15% PASSING THE #200 SIEVE AND A MAXIMUM PERMEABILITY OF 1 X 10<sup>-5</sup> CM/SEC), (B) A 30 MIL POLY-LINER (C) BENTONITE

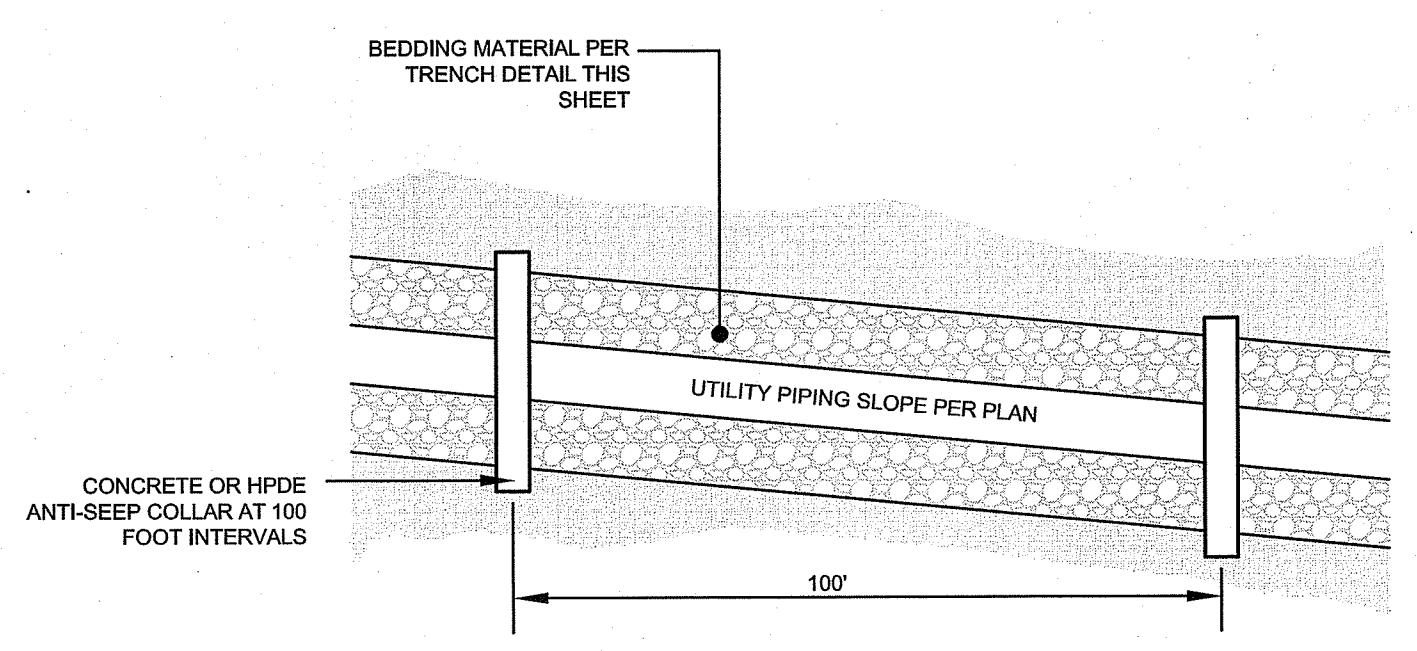
SAND FILTER WITH UNDERDRAIN CROSS SECTION  
SCALE: NOT TO SCALE



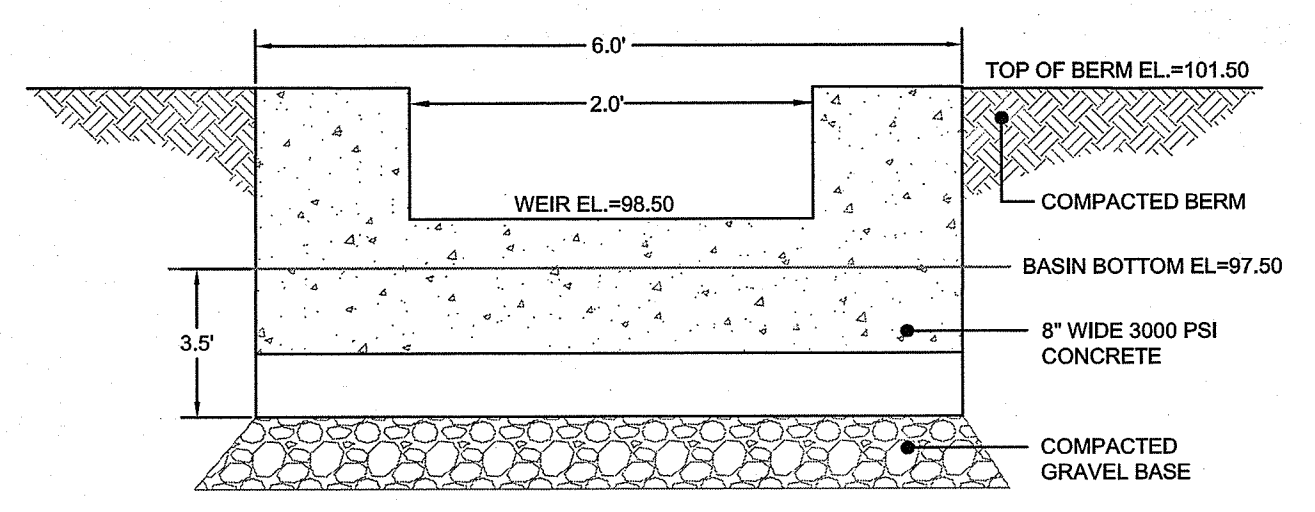
SAND FILTER CONCRETE WEIR DETAIL  
SCALE: NOT TO SCALE



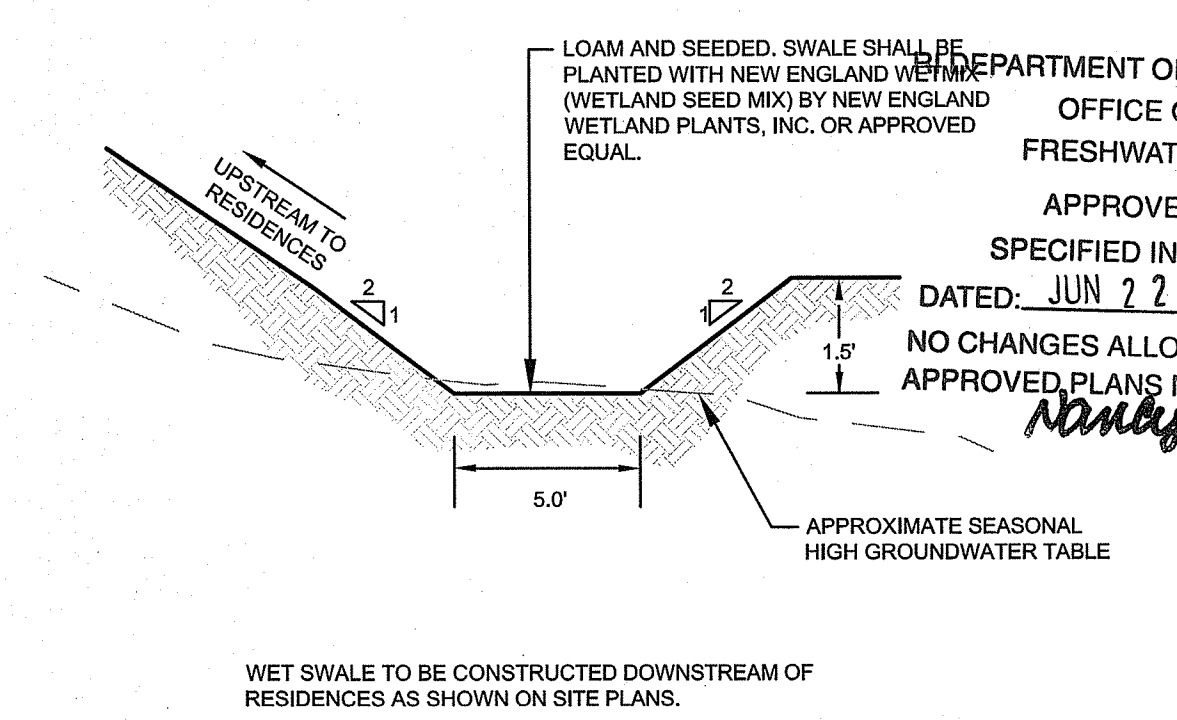
DETENTION BASIN OUTLET STRUCTURE DETAIL  
SCALE: NOT TO SCALE



TRENCH DAM (ANTI-SEEP COLLAR)  
SCALE: NOT TO SCALE



DETENTION BASIN CONCRETE WEIR DETAIL  
SCALE: NOT TO SCALE



VEGETATED (WET) SWALE CROSS SECTION  
SCALE: NOT TO SCALE

RI Environmental Management  
APR 13 2022  
Office of Water Resources

No.	Revision	Date	App.
6	REVISED PER TOWN COMMENTS	01MAR22	
5	REVISED PER TOWN COMMENTS	15NOV21	
4	REVISED PER TOWN COMMENTS	12OCT21	
3	REVISED PER TOWN COMMENTS	29SEP21	
2	PRELIMINARY PLAN REVISIONS	10AUG21	
1	RIDEM REVISIONS	17FEB21	

Designed by: JJR Drawn by: JJR Checked by: GES  
Scale: AS SHOWN Date: REV 01MAR22

Project Title:  
**CAMPOS SUBDIVISION**  
A.P. 120 LOTS 68-A & 68-B  
SERENITY DRIVE  
MIDDLETOWN  
RHODE ISLAND

Client/Owner:  
MR. JUAN CAMPOS  
162 BROADWAY, UNIT 1  
NEWPORT, RI 02840

Issued for:  
PERMITTING

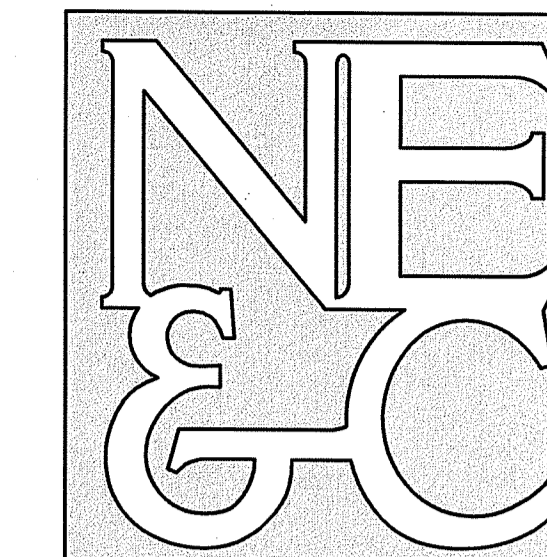
Drawing Title:  
SITE DETAILS

DEPARTMENT OF ENVIRONMENTAL MANAGEMENT  
OFFICE OF WATER RESOURCES  
FRESHWATER WETLANDS PROGRAM  
APPROVED WITH CONDITIONS AS SPECIFIED IN THE LETTER OF APPROVAL  
DATED: JUN 22 2022 FILE #: 20-0279  
NO CHANGES ALLOWED WITHOUT PRIOR APPROVAL  
APPROVED PLANS MUST BE AT CONSTRUCTION

Drawing Number: C-10  
Sheet 10 of 11  
Project Number: 19187.0  
Survey Index: - 120 - 68A & B

Professional Engineer Seal:  
No. 9826  
01MAR22  
REGISTERED PROFESSIONAL ENGINEER  
BRYAN J. ROSA

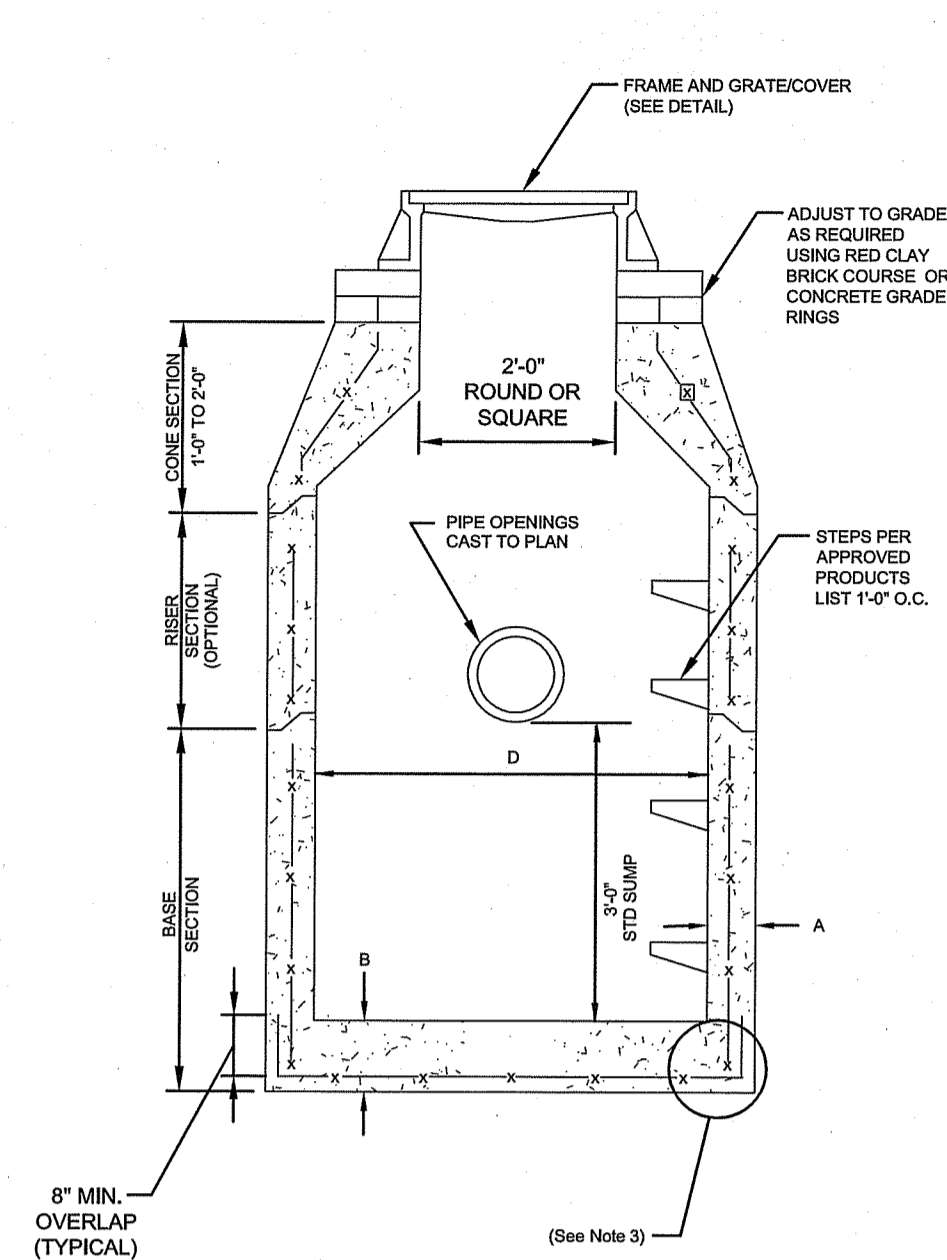
OWNERSHIP AND USE OF DOCUMENTS: DRAWINGS AND SPECIFICATIONS, AS INSTRUMENTS OF PROFESSIONAL SERVICE, ARE AND SHALL REMAIN THE PROPERTY OF THE ENGINEER. THESE DOCUMENTS ARE NOT TO BE USED, IN WHOLE OR PART, FOR ANY OTHER PROJECTS OR PURPOSES, OR BY ANY OTHER PARTIES, THAN THOSE PROPERLY AUTHORIZED BY CONTRACT, WITHOUT THE EXPRESS AUTHORIZATION OF THE ENGINEER.



A KNOWLEDGE CORPORATION®  
 6 VALLEY ROAD MIDDLETOWN RHODE ISLAND 02842  
 PHONE (401) 849-0810 FAX (401) 846-4169  
 WWW.NORTHEASTENGINEERS.COM

SITE/CIVIL  
 LAND PLANNING  
 WATERFRONT  
 SURVEYING  
 GEOTECHNICAL  
 ENVIRONMENTAL  
 TRANSPORTATION  
 STRUCTURAL

RI Environmental Management  
 APR 13 2022  
 Office of Water Resources



**PRECAST ROUND CATCH BASIN & DRAIN MANHOLE (RIDOT 4.4.0)**  
 SCALE: NOT TO SCALE

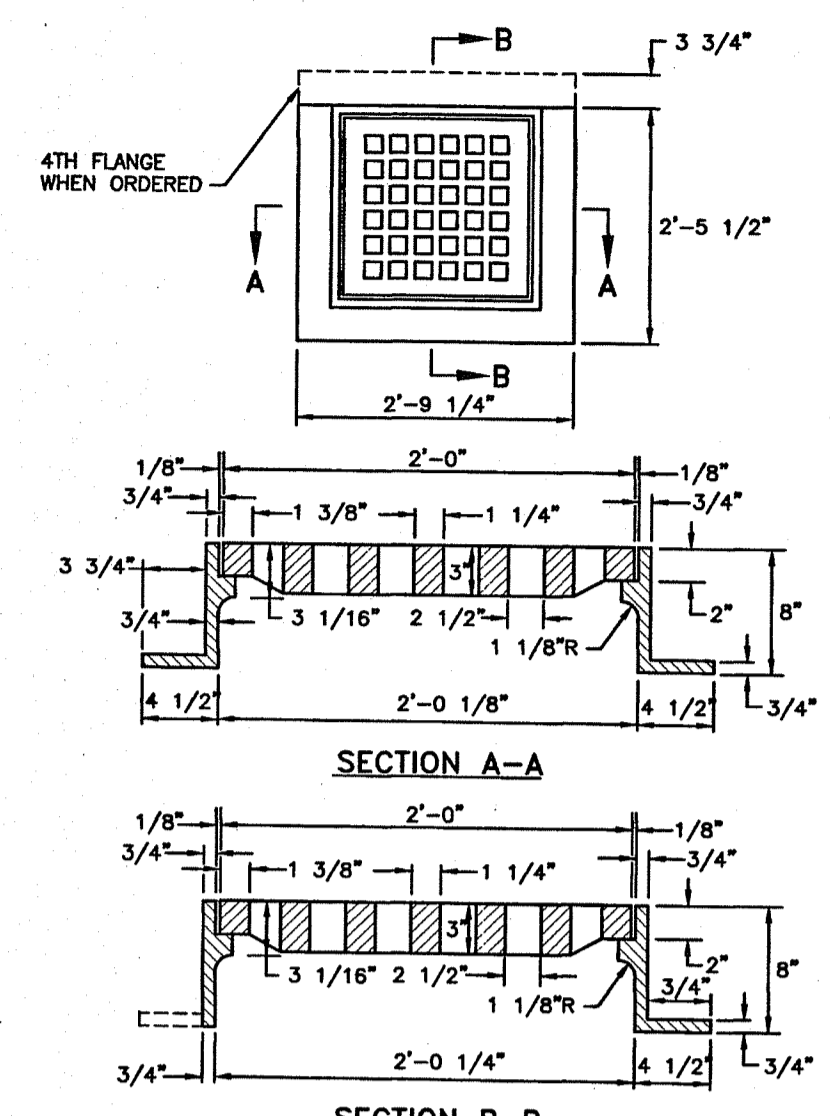
ALTERNATIVE TOP SLAB (See Notes 9 & 10)

AS REQUIRED

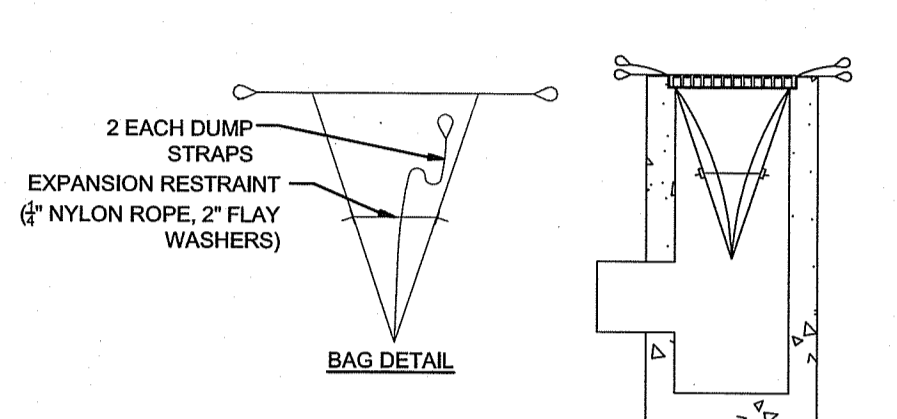
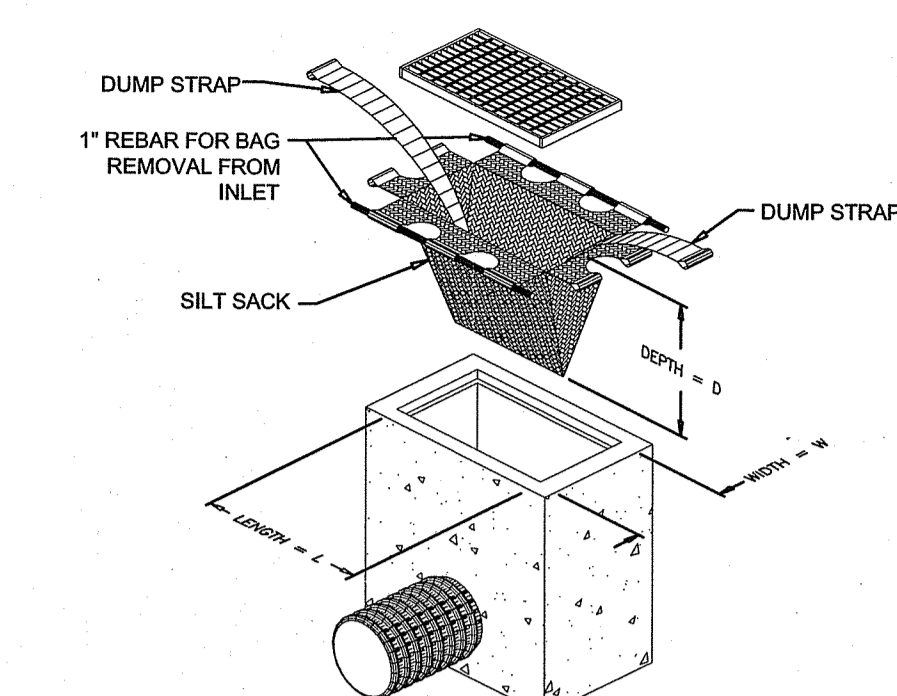
CATCH BASIN DIAMETER (D)	A	B	CIRCUMFERENTIAL STEEL REINFORCEMENT REQUIRED*
4'-0"	5"	6"	0.12 SQ. IN./LN. FT.
5'-0"	6"	7"	0.15 SQ. IN./LN. FT.
6'-0"	7"	8"	0.18 SQ. IN./LN. FT.
8'-0"	9"	8"	REFER TO MANUFACTURER

\*FOR LONGITUDINAL VERTICAL STANDING REINFORCEMENT REFER TO ASTM A618, ITEM 8.1.2

- NOTES:**
- SHALL BE ACCORDANCE WITH SECTION 702 OF THE R.I. STANDARD SPECIFICATION.
  - SEE TABLE 1 FOR STEEL REINFORCEMENT REQUIREMENTS.
  - STEEL REINFORCEMENT FOR BASE SECTION BOTTOM SHALL BE A MINIMUM OF 0.12 SQ. IN./LN. FT. (BOTH WAYS).
  - STEPS SHALL CONFORM TO STD. 5.3.0 AND SHALL BE INSTALLED AT THE CASTING PLANT.
  - ONE POUR MONOLITHIC BASE SECTION.
  - ANY NECESSARY ADJUSTMENTS DURING CONSTRUCTION WILL BE DONE BY SAW-CUTTING AND/OR CORING ONLY. NO JACKHAMMERS, HAMMERS AND CHISELS OR PNEUMATIC TOOLS WILL BE ALLOWED.
  - CORBEL MADE OF RED CLAY BRICK WILL BE PERMITTED FOR THE "CONE SECTION" OF THE 4'-0" CATCH BASIN ONLY.
  - THE CENTERLINE OF THE OPENING MUST BE WITHIN 2'-0" FROM THE STEPS.
  - ALTERNATIVE TOP SLAB IS STEEL REINFORCED TO MEET OR EXCEED H-25 LOADING (SEE STD. 4.7.2).
  - ALTERNATIVE TOP SLAB IS ONLY FOR USE WHEN REDUCING SECTION DOES NOT FIT BECAUSE OF STRUCTURE DEPTH.
  - REFER TO STD. 5.2.0 FOR MAXIMUM PIPE SIZES.

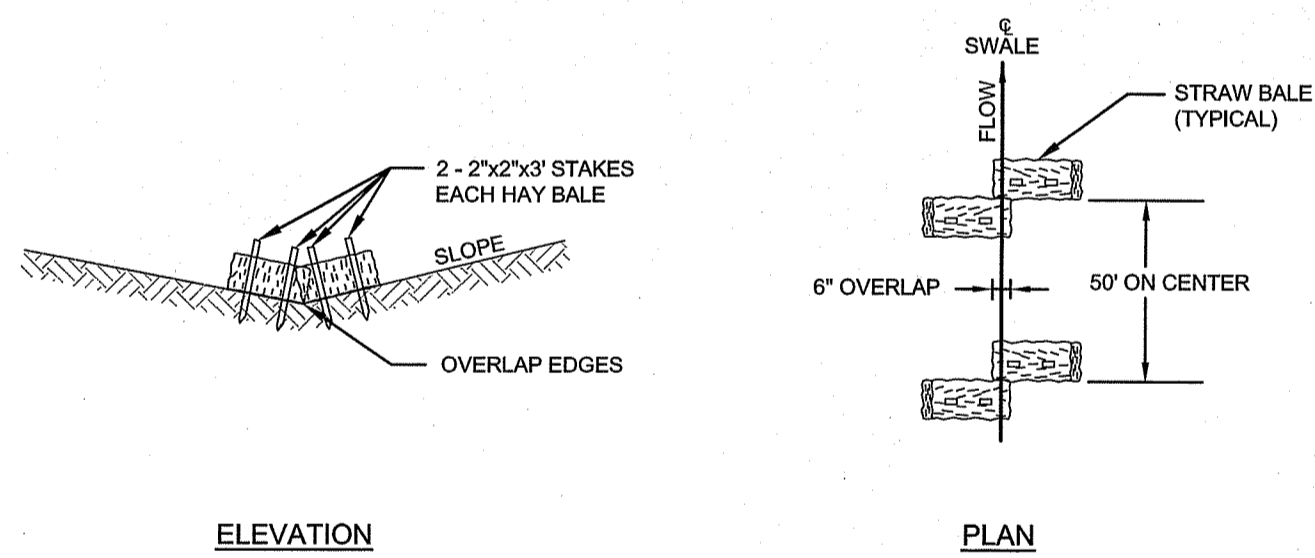


**SQUARE FRAME AND GRATE (RIDOT 6.3.0)**  
 SCALE: NOT TO SCALE

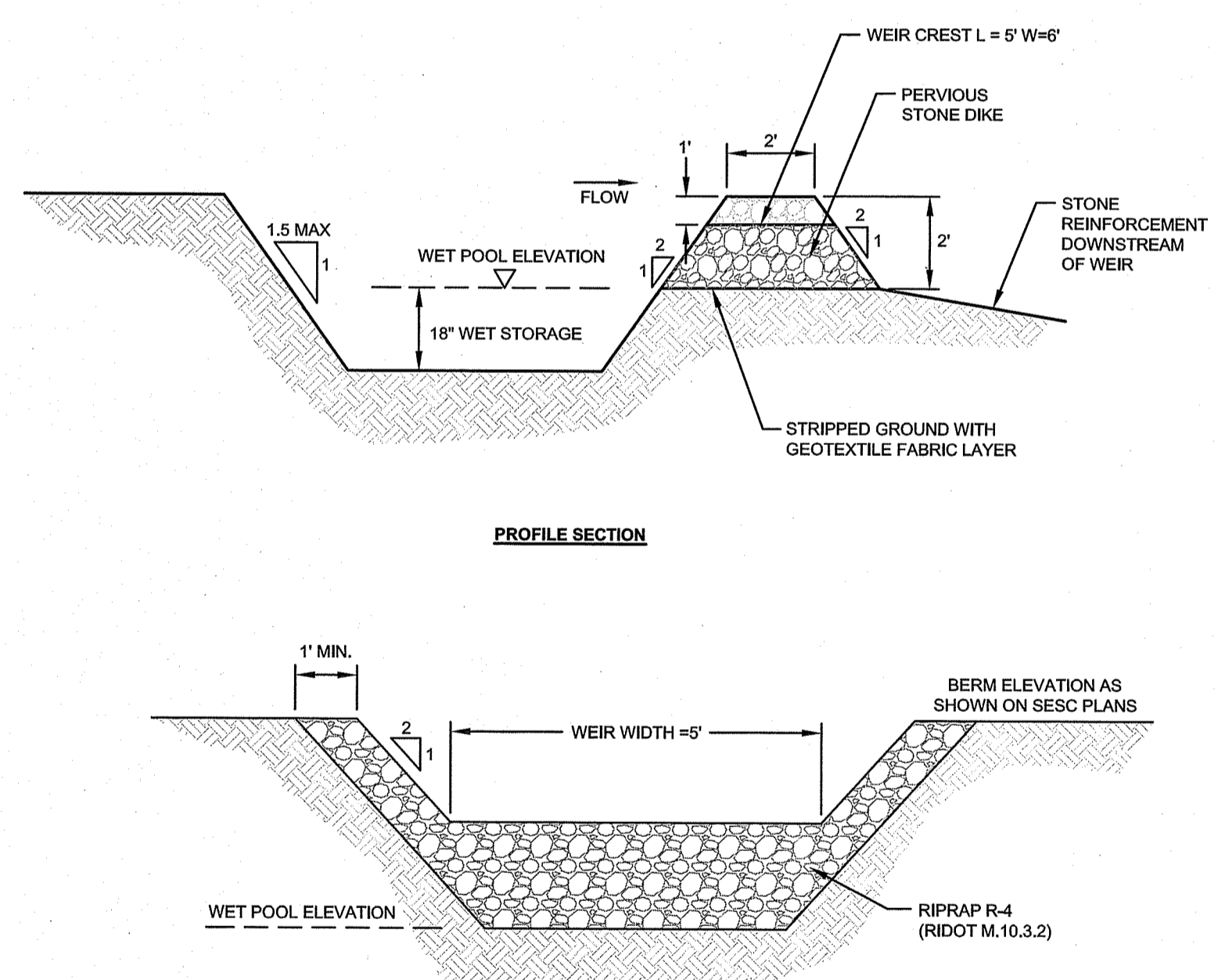


- MAINTENANCE SCHEDULE:**
- EACH SILTSACK SHOULD BE INSPECTED AFTER EVERY MAJOR RAIN EVENT (>0.25\"/>

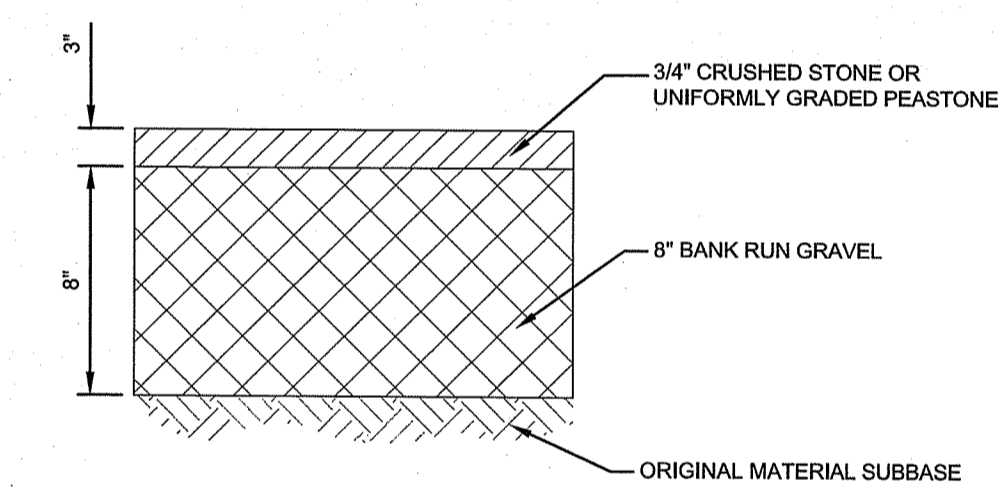
**SILT SACK DETAIL**  
 SCALE: NOT TO SCALE



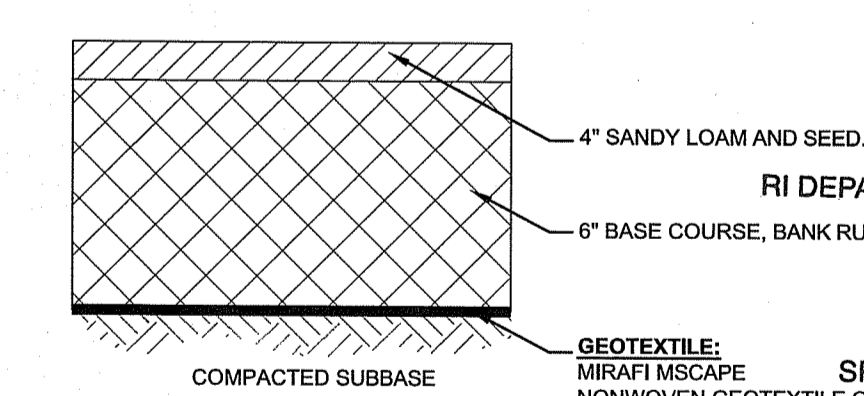
**STRAW BALE CHECK DAM**  
 SCALE: NOT TO SCALE



**TYPICAL TEMPORARY SEDIMENT TRAP DETAILS**  
 SCALE: NOT TO SCALE



**TYPICAL PERVIOUS DRIVEWAY SECTION**  
 SCALE: NOT TO SCALE



**TYPICAL REINFORCED GRASS SECTION**  
 SCALE: NOT TO SCALE

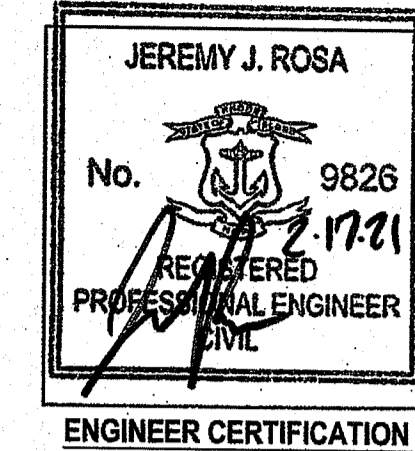
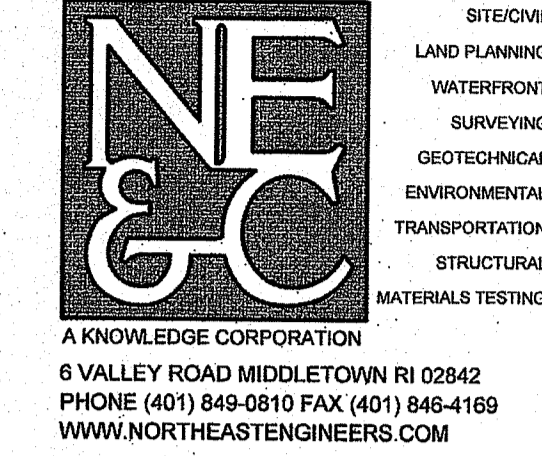
RI DEPARTMENT OF ENVIRONMENTAL MANAGEMENT  
 OFFICE OF WATER RESOURCES  
 FRESHWATER WETLANDS PROGRAM  
 APPROVED WITH CONDITIONS AS SPECIFIED IN THE LETTER OF APPROVAL  
 NONWOVEN GEOTEXTILE OVER TENSAR TRIAX TX100 (SEE DETAIL) JUN 22 2022 FILE # 20-0279  
 NO CHANGES ALLOWED WITHOUT PRIOR APPROVAL  
 APPROVED PLANS MUST BE AT CONSTRUCTION SITE  
*Nancy L. Freeman*

2	PRELIMINARY PLAN REVISIONS	10AUG21	
1	RIDEM REVISIONS	17FEB21	
No.	Revision	Date App.	
Designed By:	JJR	Drawn by: JJR Checked by: GES	
Scale:	AS SHOWN	Date: 20NOV20	
Project Title:			
<b>CAMPOS SUBDIVISION</b> A.P. 120 LOTS 68-A & 68-B SERENITY DRIVE MIDDLETOWN RHODE ISLAND			
Client/Owner:			
MR. JUAN CAMPOS 162 BROADWAY, UNIT 1 NEWPORT, RI 02840			
Issued for:			
PERMITTING			
<b>SITE DETAILS</b>			
Drawing Number:		<b>C-11</b>	
Sheet		11 of 11	
Project Number:		19187.0	
Survey Index:		- 120 - 68A & B	
<table border="1" style="width: 100%;"> <tr> <td style="text-align: center;"> <b>JEREMY J. ROSA</b>                  No. 9826                  01 MAR 22                  REGISTERED                  PROFESSIONAL ENGINEER             </td> </tr> </table>			<b>JEREMY J. ROSA</b> No. 9826 01 MAR 22 REGISTERED PROFESSIONAL ENGINEER
<b>JEREMY J. ROSA</b> No. 9826 01 MAR 22 REGISTERED PROFESSIONAL ENGINEER			
OWNERSHIP AND USE OF DOCUMENTS: DRAWINGS AND SPECIFICATIONS, AS INSTRUMENTS OF PROFESSIONAL SERVICE, ARE AND SHALL REMAIN THE PROPERTY OF THE ENGINEER. THESE DOCUMENTS ARE NOT TO BE USED, IN WHOLE OR PART, FOR ANY OTHER PROJECTS OR PURPOSES, OR BY ANY OTHER PARTIES, THAN THOSE PROPERLY AUTHORIZED BY CONTRACT, WITHOUT THE EXPRESS AUTHORIZATION OF THE ENGINEER.			

# CAMPOS RESIDENTIAL SUBDIVISION

**5 LOT SUBDIVISION WITH AN EXTENSION OF A PUBLIC ROW  
ASSESSOR'S PLAT 120 LOTS 68-A & 68-B  
SERENITY DRIVE  
MIDDLETOWN, RHODE ISLAND**

CIVIL ENGINEER: NORTHEAST ENGINEERS & CONSULTANTS, INC.



FEB 23 2021

OWNER:

MR. JUAN CAMPOS  
162 BROADWAY, UNIT 1  
NEWPORT, RI 02840

DEPARTMENT OF ENVIRONMENTAL MANAGEMENT  
OFFICE OF WATER RESOURCES  
FRESHWATER WETLANDS PROGRAM  
APPROVED WITH CONDITIONS  
AS SPECIFIED IN THE LETTER OF APPROVAL  
DATED Mar 10, 2021 FILE # 20-0279  
NO CHANGES ALLOWED WITHOUT PRIOR APPROVAL  
APPROVED PLANS MUST BE AT CONSTRUCTION SET

*Nancy L. Freeman*

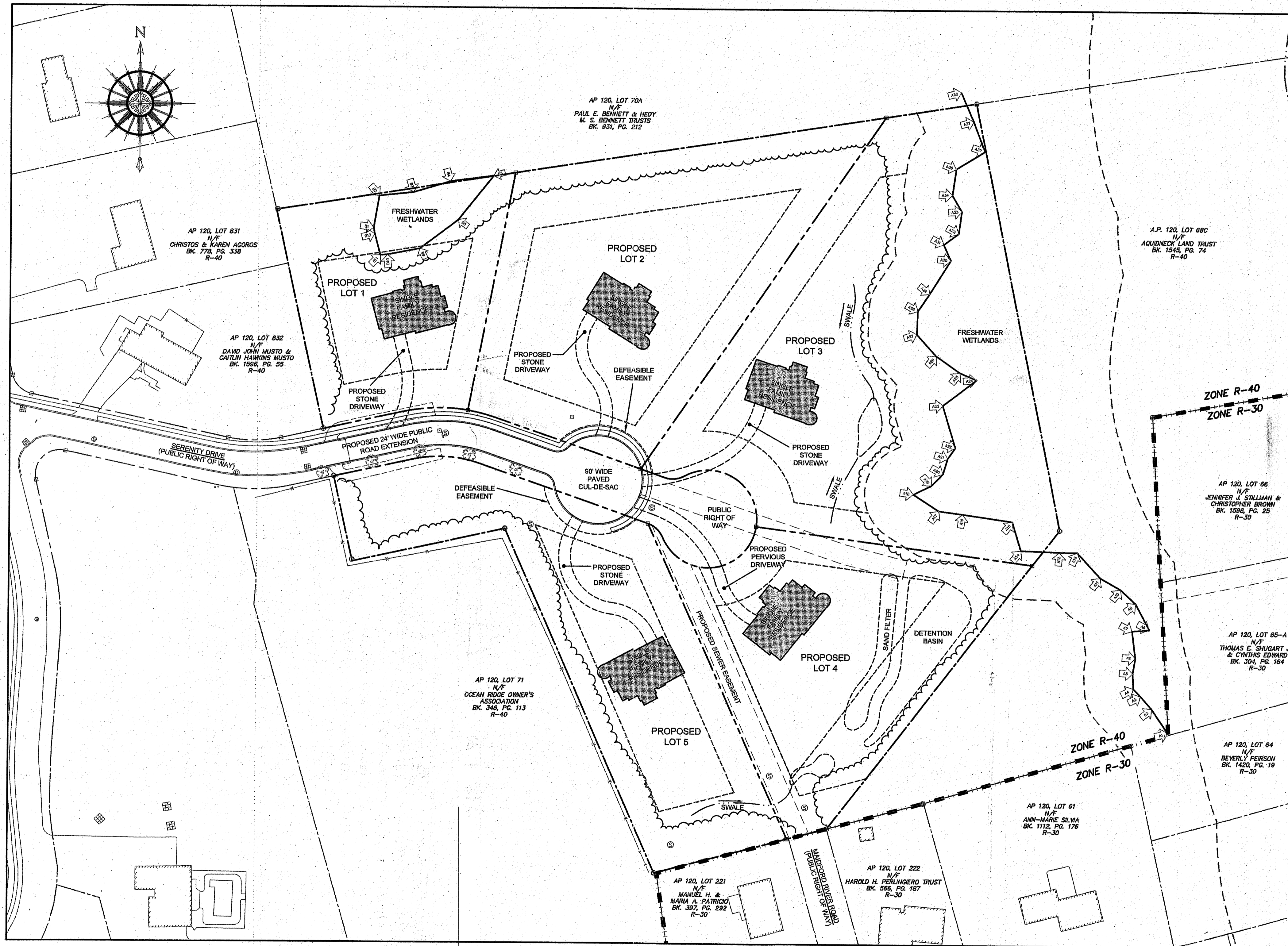
## FEBRUARY 17, 2021 PERMIT SET

### PLAN INDEX

#### SITE/CIVIL ENGINEERING PLANS

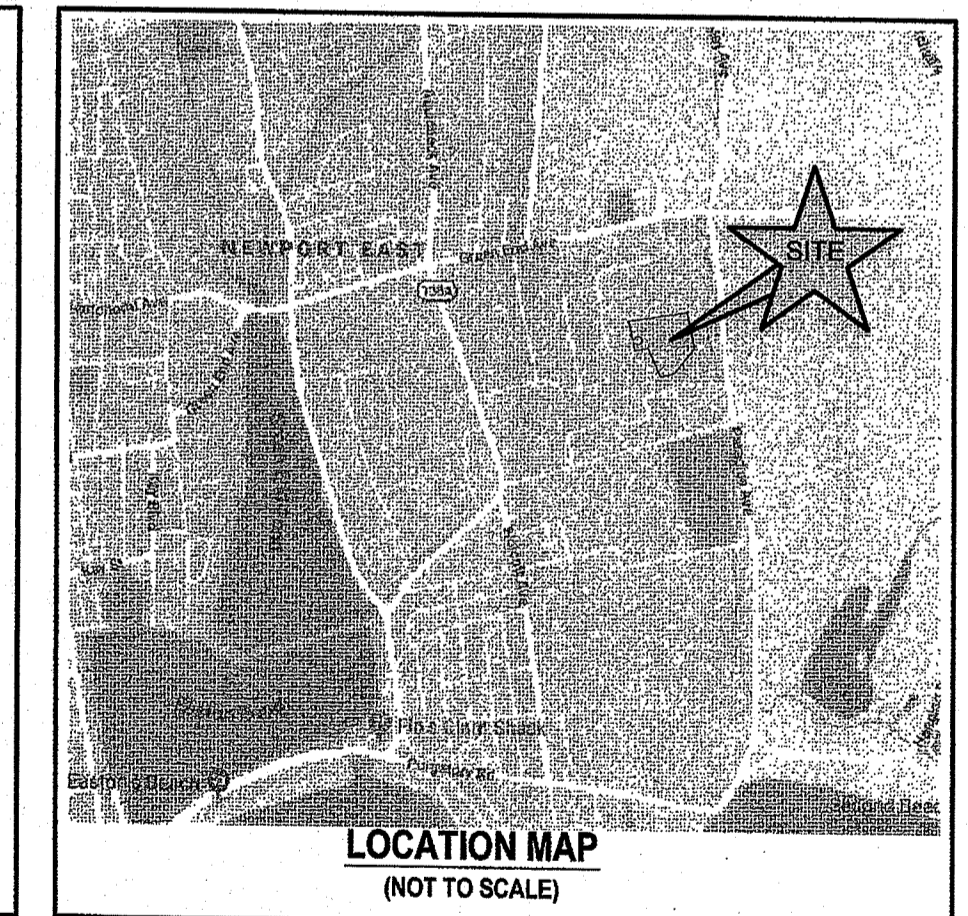
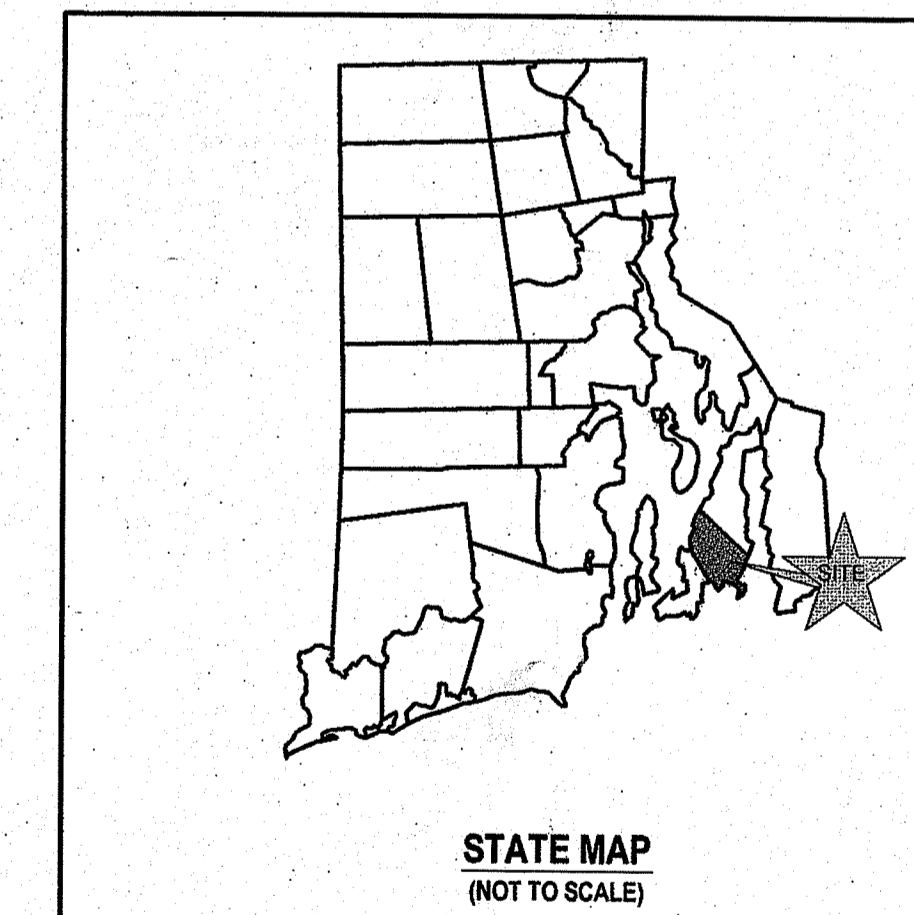
- TITLE SHEET
- PROJECT NOTES
- EXISTING CONDITIONS
- PROPOSED SUBDIVISION PLAN
- PROPOSED LAYOUT AND UTILITY PLAN
- PROPOSED GRADING AND DRAINAGE PLAN
- PROPOSED SOIL EROSION AND SEDIMENT CONTROL PLAN
- PROPOSED ROAD PROFILE
- PROPOSED DETAILS

- SHEET 1
- SHEET 2
- SHEET 3
- SHEET 4
- SHEET 5
- SHEET 6
- SHEET 7
- SHEET 8
- SHEETS 9-11



**SITE PLAN**

SCALE = 1"=60'



#### SUBMISSION AND REVISION SUMMARY

AGENCY OR REVISION	DATE:	COMMENTS:
TOWN OF MIDDLETOWN	NOV 20, 2019	MASTER PLAN SUBMISSION
TOWN OF MIDDLETOWN	FEB 19, 2020	MASTER PLAN SUBMISSION
RIDEM	MAY, 2020	WETLANDS VERIFICATION
RIDEM	NOV 20, 2020	RIPDES AND FW WETLANDS
RIDEM	FEB 17, 2021	REVISED PER COMMENTS

**GENERAL NOTES**

- EXISTING CONDITIONS SURVEY (SHEET 3) IS THE RESULT OF A FIELD SURVEY BY NORTHEAST ENGINEERS & CONSULTANTS, INC. IN MAY 2020.
- BASE OF ELEVATIONS: NAVD83.
- PROPERTIES ARE ZONED R40 (MEDIUM DENSITY RESIDENTIAL), ABUTTING PROPERTIES ARE ALSO ZONED R40 (MEDIUM DENSITY RESIDENTIAL).
- NORTH ARROW AND BASIS OF BEARING BASED ON RTK/GNSS OBSERVATION, THE BASIS OF BEARING BEING FROM AN IRON ROD FOUND ONLINE AND A DRILL HOLE FOUND, AS SPECIFIED ON PLAN WITH NOTE REFERENCE, HAVING A BEARING OF N 89°27'21" E AND A DISTANCE OF 840.53'.
- SOIL EVALUATIONS SHOWN PERFORMED BY OTHERS FOR THE APPROVED 2016 SUBDIVISION "SERENITY FARM". SOIL INFORMATION SHOWN TAKEN FROM THE TOWN OF MIDDLETOWN GIS DATA.
- SUBJECT SITE IS NOT SITUATED IN A 100-YEAR FLOODZONE, AS SHOWN ON FEMA FORM 44050C0094H LAST REVISED MARCH 5, 2010.
- THE CONTRACTOR SHALL VERIFY THE PROPOSED LAYOUT AND DETAILS WITH THEIR RELATIONSHIP TO THE EXISTING SITE SURVEY. CONTRACTOR SHALL ALSO VERIFY ALL DIMENSIONS, SITE CONDITIONS AND MATERIAL SPECIFICATIONS AND SHALL NOTIFY THE OWNER AND ENGINEER OF ANY ERRORS, OMISSIONS OR DISCREPANCIES BEFORE COMMENCING WORK.
- THE UNDERGROUND UTILITIES KNOWN TO EXIST BY THE ENGINEER FROM HIS SEARCH OF RECORDS ARE INDICATED ON THE PLANS. CONTRACTOR SHALL VERIFY THE LOCATIONS AND DEPTHS OF THE FACILITIES AND EXERCISE PROPER CARE IN EXCAVATING IN THE AREA. ALL DAMAGED PORTIONS SHALL BE REPLACED IN ACCORDANCE WITH THE STANDARDS AND SPECIFICATIONS OF THE AFFECTED UTILITY COMPANY AND SHALL BE THE CONTRACTOR'S RESPONSIBILITY. PERSONAL INJURY RESULTING FROM CONTACT WITH EXISTING UTILITIES SHALL BE THE CONTRACTOR'S RESPONSIBILITY. WHEREVER CONNECTION OF NEW UTILITIES TO EXISTING UTILITIES ARE SHOWN ON THE PLANS, THE CONTRACTOR SHALL EXPOSE THE EXISTING LINES AT THE PROPOSED CONNECTIONS TO VERIFY THEIR LOCATIONS AND DEPTHS PRIOR TO EXCAVATION FOR NEW LINES. (PLEASE CALL DIG SAFE PRIOR TO CONSTRUCTION AT 1-888-DIG-SAFE AND ALL LOCAL UTILITY COMPANIES).
- THE CONTRACTOR SHALL NOTIFY ALL AGENCIES TO VERIFY THE ACTUAL LOCATIONS OF ALL UTILITIES IN THE PROJECT AREA PRIOR TO EXCAVATING.
- THE CONTRACTOR SHALL RESTORE TO THEIR ORIGINAL CONDITION OR BETTER, ALL IMPROVEMENTS DAMAGED AS A RESULT OF THE CONSTRUCTION, INCLUDING PAVEMENTS, EMBANKMENTS, CURBS, SIGNS, LANDSCAPING, STRUCTURES, UTILITIES, WALLS, FENCES, ETC. UNLESS PROVIDED FOR SPECIFICALLY IN THE PROPOSAL.
- CONTRACTOR SHALL EXERCISE EXTREME CAUTION TO PRESERVE STREET MONUMENTS.
- STREET MONUMENTS THAT ARE DISTURBED SHALL BE RESTORED UNDER THE LICENSED LAND SURVEYOR'S DIRECTION. ANY NEW DATA SUCH AS ELEVATIONS SHALL BE CERTIFIED BY THE SURVEYOR, AND SUBMITTED TO THE TOWN OF MIDDLETOWN.
- DEVIATIONS OR CHANGES FROM THESE PLANS WILL NOT BE ALLOWED UNLESS APPROVED BY THE PROJECT ENGINEER, APPROPRIATE AGENCY AND OWNER.
- RELOCATION OF ANY UTILITIES SHALL BE AT THE OWNERS EXPENSE AND BE COMPLETED WITH THE UTILITY WORK. THE OWNER SHALL BE NOTIFIED AS TO THE RELOCATION REQUIRED PRIOR TO THE START OF CONSTRUCTION.
- AN APPROVED SET OF PLANS AND ALL APPLICABLE PERMITS MUST BE AVAILABLE AT THE CONSTRUCTION SITE AT ALL TIMES.
- CONTRACTOR AGREES THAT HE/SHE SHALL ASSUME SOLE AND COMPLETE RESPONSIBILITY FOR JOB SITE CONDITIONS DURING THE COURSE OF THE CONSTRUCTION OF THIS PROJECT, INCLUDING SAFETY OF ALL PERSONS AND PROPERTY, THAT THIS REQUIREMENT SHALL APPLY CONTINUOUSLY AND NOT TO BE LIMITED TO NORMAL WORKING HOURS, AND THAT THE CONTRACTOR SHALL DEFEND, INDEMNIFY AND HOLD THE OWNER AND THE ENGINEERS HARMLESS FROM ANY AND ALL LIABILITY, REAL AND ALLEGED, IN CONNECTION WITH THE PERFORMANCE OF WORK ON THIS PROJECT, EXCEPTING FOR LIABILITY ARISING FROM THE SOLE NEGLIGENCE OF THE OWNER OR PROJECT ENGINEER.
- ALL TRAFFIC CONTROL SHALL CONFORM TO THE MANUAL FOR UNIFORM TRAFFIC CONTROL DEVICES LATEST EDITION INCLUDING ALL REVISIONS.
- THERE ARE DELINEATED FRESHWATER WETLANDS ON THE SUBJECT PROPERTY.
- THERE ARE FRESHWATER WETLAND REGULATED SETBACKS ON THE SUBJECT PROPERTY.
- THERE ARE NO SURFACE WATERS ON THE SUBJECT PROPERTY.
- THERE ARE HYDRIC SOILS ON THE SUBJECT PROPERTY. THESE SOILS ARE LIMITED TO FLAGGED WETLANDS AND REGULATED PERIMETER WETLANDS.
- THERE ARE NO KNOWN AREAS OF LEDGE OR OUTCROPPINGS ON THE SUBJECT PROPERTY.
- THERE ARE NO SLOPES OF 15% OR GREATER ON THE SUBJECT PROPERTY.
- ALL SOILS ON THE SUBJECT PROPERTY ARE INDICATED AS HAVING A SEASONAL HIGH WATER TABLES LESS THAN 3.5 FEET AS IDENTIFIED BY SOIL EVALUATION AND ARE CONSIDERED LOW PERMEABILITY SOILS.
- THERE ARE NO KNOWN RECREATIONAL RESOURCES ON THE SUBJECT PROPERTY.
- THE MAJORITY OF THE SUBJECT PROPERTY IS CONSIDERED PRIME FARMLAND SOILS.
- THE PROPOSED DEVELOPMENT DOES NOT LIE IN ANY OF THE FOLLOWING AREAS:
  - NATURAL HERITAGE AREAS (RIDEM)
  - CULTURAL RESOURCE AREA
  - SPECIAL AREA MANAGEMENT PLAN (SAMP)
  - GROUNDWATER AQUIFERS, STATE DESIGNATED "GROUNDWATER RESERVOIRS", RECHARGE AREAS, OR WELLHEAD PROTECTION AREAS
  - STATE, REGIONAL OR LOCAL GREENWAYS, OR GREENSPACE PRIORITIES
- ALL WORK WITHIN THE TOWN RIGHT OF WAYS WILL CONFORM TO THE TOWN OF MIDDLETOWN SPECIFICATIONS.
- THE SITE IS LOCATED WITHIN WATERSHED PROTECTION DISTRICT ZONE 2.
- THE SITE IS SITUATED IN A COMMUNITY WELLHEAD PROTECTION AREA PER RIDEM ENVIRONMENTAL RESOURCE MAPS.

**GRADING NOTES**

- ADEQUATE PROVISIONS SHALL BE MADE TO PREVENT SURFACE WATERS FROM DAMAGING THE CUT FACE OF AN EXCAVATION OR THE SLOPED SURFACES OF A FILL. FURTHERMORE, ADEQUATE PROVISIONS SHALL BE MADE TO PREVENT SEDIMENT RUNOFF FROM LEAVING THE SITE.
- ALL GRADED AREAS SHALL BE SODDED OR PLANTED IMMEDIATELY AFTER THE GRUBBING WORK HAS BEEN COMPLETED.
- THE TOWN SHALL BE INFORMED OF THE LOCATION OF THE DISPOSAL SITE, IF ANY, FOR THE PROJECT.
- NO GRADING WORK SHALL BE DONE ON SATURDAYS, SUNDAYS AND HOLIDAYS AT ANY TIME WITHOUT PRIOR NOTICE TO THE MUNICIPALITY, PROVIDED SUCH GRADING WORK IS ALSO IN CONFORMANCE WITH THE COMMUNITY NOISE CONTROL STANDARDS.
- THE LIMITS OF DISTURBANCE SHALL BE FLAGGED BEFORE THE COMMENCEMENT OF THE GRADING WORK.
- ALL GRADING OPERATIONS SHALL BE PERFORMED IN CONFORMANCE WITH THE APPLICABLE PROVISIONS OF THE DEPARTMENT OF ENVIRONMENTAL MANAGEMENT AND THE MUNICIPALITY.
- WHERE APPLICABLE AND FEASIBLE THE MEASURES TO CONTROL EROSION AND OTHER POLLUTANTS SHALL BE IN PLACE BEFORE GRADING WORK IS INITIATED.
- TEMPORARY EROSION CONTROLS SHALL NOT BE REMOVED BEFORE PERMANENT EROSION CONTROLS ARE IN-PLACE AND ESTABLISHED.
- IF THE GRADING WORK INVOLVES CONTAMINATED SOIL, THEN ALL GRADING WORK SHALL BE DONE IN CONFORMANCE WITH APPLICABLE STATE AND FEDERAL REQUIREMENTS.
- NONCOMPLIANCE TO ANY OF THE ABOVE REQUIREMENTS SHALL MEAN IMMEDIATE SUSPENSION OF ALL WORK, AND REMEDIAL WORK SHALL COMMENCE IMMEDIATELY. ALL COSTS INCURRED SHALL BE BILLED TO THE VIOLATOR. FURTHERMORE, VIOLATORS SHALL BE SUBJECT TO ADMINISTRATIVE, CIVIL AND/OR CRIMINAL PENALTIES.

**UTILITY NOTES**

- THE LOCATIONS OF PROPOSED ELECTRICAL CONNECTION TO THE EXISTING UNDERGROUND CONDUITS IN COMPTON VIEW DRIVE ARE PRELIMINARY. FINAL DESIGN OF THE ELECTRICAL SERVICE IS SUBJECT TO DESIGN REVIEW AND APPROVAL OF NATIONAL GRID.
- THE PROPOSED CONNECTION TO THE WATER MAIN IN COMPTON VIEW DRIVE IS PRELIMINARY AND SUBJECT TO REVIEW AND APPROVAL BY THE NEWPORT WATER DEPARTMENT. ALL NEW CONNECTIONS FOR THE RESIDENCES WILL REQUIRE WATER SERVICE APPLICATIONS TO THE NEWPORT DPW.
- ALL NEW ELECTRIC, TELEPHONE AND CABLE SERVICES SHALL BE INSTALLED UNDERGROUND.
- THE PROPOSED SEWER MAIN AND EASEMENTS ARE SUBJECT TO REVIEW AND APPROVAL BY THE TOWN OF MIDDLETOWN PUBLIC WORKS. ALL SEWER WORK SHALL BE PERFORMED IN ACCORDANCE WITH THE TOWN OF MIDDLETOWN ORDINANCE RULES AND REGULATIONS FOR THE USE AND INSTALLATION OF SEWERS. ALL NEW CONNECTIONS WILL REQUIRE SEWER SERVICE APPLICATIONS TO THE MIDDLETOWN DPW. ALL NEW RESIDENTIAL CONNECTIONS SHALL BE 6 INCHES IN DIAMETER.
- THE CONTRACTOR SHALL BE SOLELY RESPONSIBLE FOR ALL ASSUMPTIONS, DEDUCTIONS, OR CONCLUSIONS HE/SHE MAY MAKE OR DERIVE FROM THE SUBSURFACE INFORMATION OR DATA FURNISHED ON THE PLANS. THE CONTRACTOR MUST SATISFY HIMSELF/HERSELF THROUGH HIS/HER OWN INVESTIGATIONS AS TO WHAT SUBSURFACE CONDITIONS ARE TO BE ENCOUNTERED.
- IF THE CONTRACTOR ELECTS NOT TO EXPOSE AND VERIFY ALL EXISTING UNDERGROUND UTILITIES AND STRUCTURES AT CROSSINGS PRIOR TO PIPELINE EXCAVATION, HE/SHE FORFEITS HIS/HER RIGHTS FOR ANY CLAIMS FOR COMPENSATION CAUSED BY ANY CONFLICTS WITH EXISTING UTILITIES AND STRUCTURES.
- THE CONTRACTOR SHALL BE RESPONSIBLE FOR THE PROPER DISPOSAL OF ALL EFFLUENT ASSOCIATED WITH THE CONSTRUCTION ACTIVITY AND THE DISINFECTION AND HYDROTASTING OPERATIONS TO SAFEGUARD PUBLIC HEALTH AND SAFETY IN ACCORDANCE WITH APPLICABLE DEPARTMENT OF HEALTH REQUIREMENTS. ALL PERMITS AND LICENSES FOR CONSTRUCTION WATER DISPOSAL, INCLUDING ALL APPLICATIONS, CHARGES, FEES, AND TAXES, ARE THE RESPONSIBILITY OF THE CONTRACTOR.

**SOIL EROSION AND SEDIMENT CONTROL NOTES**

- CONSTRUCTION SEQUENCE:
  - DO NOT BEGIN CONSTRUCTION UNTIL ALL LOCAL, STATE, AND FEDERAL PERMITS HAVE BEEN APPLIED FOR AND RECEIVED. THIS INCLUDES ALL PERMITS FROM APPLICABLE UTILITIES.
  - ALL CONSTRUCTION VEHICLES SHALL ENTER AND LEAVE THE SITE VIA THE PROPOSED CONSTRUCTION ENTRANCE CONFORMING TO THE DETAIL PROVIDED.
  - INSTALL SILT FENCES, SILT SACKS, CHECK DAMS, FILTER SOCKS, STRAW WATTLE AND/OR STRAW BALES AS INDICATED ON THE DRAWINGS TO CONTROL EROSION AND PREVENT SEDIMENT CONTAMINATION OF DOWNSTREAM AREAS PRIOR TO ANY EARTH MOVING ACTIVITIES. THE CONTRACTOR SHALL CONFIRM WITH THE TOWN BUILDING OFFICIAL/TOWN ENGINEER WHICH TYPE OF SEDIMENTATION BARRIERS ARE PREFERRED BY THE TOWN PRIOR TO INSTALLATION.
  - CONTRACTOR TO FIELD LOCATE EXISTING SEWER AND WATER MAINS TO WHICH CONNECTIONS ARE PROPOSED PRIOR TO ANY CONSTRUCTION.
  - LOCATE AND DISCONNECT EXISTING PRIVATE SEWER MAIN IN THE LOCATION SHOWN ON PLANS. REMOVE TOP SECTIONS OF INDICATED STRUCTURES. REMOVE OR ABANDON REMAINDER OF PRIVATE SEWER SYSTEM IN PLACE.
  - LIMITS OF CLEARING SHALL BE FLAGGED PRIOR TO THE REMOVAL OF ANY VEGETATION. REMOVE VEGETATION ONLY WHERE NECESSARY. ANY STUMPS TO BE GROUND OR DISPOSED OF OFF SITE.
  - EXCAVATE SAND FILTER AND DETENTION BASIN IN ACCORDANCE WITH THE PLANS AND ESTABLISH A TEMPORARY VEGETATIVE GROWTH THAT MEETS THE APPROVAL OF THE TOWN ENGINEER/BUILDING OFFICIAL. THIS DEPRESSION SHALL BE USED AS A TEMPORARY SEDIMENT TRAP SHOULD ONE BE REQUIRED DURING CONSTRUCTION. A TEMPORARY STONE WEIR SHALL BE CONSTRUCTED IN THE DETENTION BASIN EXCAVATION IN THE VICINITY OF THE FUTURE CONCRETE WEIR.
  - ROUGH GRADE SITE AND EXCAVATE FOR ROAD BASE.
  - INSTALL UTILITY MAINS PER APPROVED DESIGNS. ALL CONNECTIONS TO EXISTING UTILITIES SHALL BE PERFORMED UNDER SUPERVISION BY THE PROVIDING ENTITIES.
  - INSTALL THE STORMWATER SYSTEM CONVEYANCE IN ACCORDANCE WITH THE PLANS AND DETAILS. INSTALLATION SHALL BE PERFORMED AT THE LOWEST POINT AND WORK SHALL PROGRESS UPSTREAM.
  - INSTALL ROAD BASE MATERIAL. INSTALLATION TO CONFORM TO THE STANDARDS OF THE MIDDLETOWN DPW.
  - FINAL GRADE SITE AND INSTALL BINDER PAVEMENT COURSE. INSTALLATION TO CONFORM TO THE STANDARDS OF THE MIDDLETOWN DPW. INSTALL CURBING PER DETAILS PROVIDED.
  - REMOVE SEDIMENTS FROM SAND FILTER EXCAVATION, EXCAVATE AND INSTALL LINER, UNDERDRAIN, AND SAND MEDIA. COMPLETE SAND FILTER CONSTRUCTION.
  - REMOVE SEDIMENTS AND EXCAVATE 12" BELOW FINAL BASIN BOTTOM ELEVATION. COMPLETE BASIN CONSTRUCTION PER THE DETAILS PROVIDED.
  - ESTABLISH FINAL VEGETATIVE GROWTH ON ALL DISTURBED AREAS. INSTALL STREET TREES AND ANY OTHER PROPOSED LANDSCAPING.
  - INSTALL TOP PAVEMENT COURSE AND MAINTAIN SITE IN ACCORDANCE WITH THE MAINTENANCE NOTES.
  - RESIDENTIAL LOT CONSTRUCTION SHALL BE COMPLETED BY THE FUTURE OWNERS.
- NOTES:
  - DURING CONSTRUCTION AND THEREAFTER, EROSION CONTROL MEASURES ARE TO BE IMPLEMENTED AS NOTED. ONLY THE SMALLEST PRACTICAL AREA OF LAND SHOULD BE EXPOSED AT ANY ONE TIME DURING DEVELOPMENT. WHEN LAND IS EXPOSED DURING DEVELOPMENT, THE EXPOSURE SHOULD BE KEPT TO THE SHORTEST PRACTICAL PERIOD OF TIME.
  - AREA OF PROPOSED INFILTRATION SYSTEM SHALL NOT BE USED FOR STOCKPILES OR STORAGE OF MATERIALS OR EQUIPMENT.
  - ANY DISTURBED AREAS WHICH ARE TO BE LEFT TEMPORARILY AND WHICH WILL BE REGRADED LATER DURING CONSTRUCTION SHALL BE STABILIZED WITHIN FOURTEEN DAYS IN ACCORDANCE WITH TEMPORARY MEASURES IN THE VEGETATIVE PRACTICE NOTES.
  - AREAS TO BE FILLED SHALL BE CLEARED, GRUBBED, AND STRIPPED OF TOP SOIL TO REMOVE VEGETATION, ROOTS, AND ANY OTHER OBJECTIONABLE MATERIAL.
  - ALL FILL SHALL BE COMPACTED TO 95% MAX. DENSITY TO REDUCE EROSION, SLIPPAGE, SETTLEMENT SUBSIDENCE, OR OTHER RELATED PROBLEMS.
  - FILL INTENDED TO SUPPORT BUILDING STRUCTURES AND CONDUITS, ETC., SHALL BE COMPACTED IN ACCORDANCE WITH LOCAL CODES AND SPECIFICATIONS.
  - ALL FILL SHALL BE PLACED AND COMPACTED TO 95% MAX. DENSITY IN LAYERS NOT TO EXCEED 12" IN THICKNESS FILLS.
  - FILL MATERIAL SHALL BE FREE OF BRUSH, RUBBISH, ROCKS, LOGS, STUMPS, BUILDING DEBRIS, AND OTHER OBJECTIONABLE MATERIALS THAT WOULD INTERFERE WITH OR PREVENT CONSTRUCTION OF SATISFACTORY FILLS.
  - FROZEN, SOFT, MUCKY, OR HIGHLY COMPRESSIBLE MATERIAL SHALL NOT BE INCORPORATED INTO FILLS.
  - FILL SHALL NOT BE PLACED ON A FROZEN FOUNDATION SUBGRADE.
  - SEEPS OR SPRINGS ENCOUNTERED DURING CONSTRUCTION SHALL BE BROUGHT TO THE ATTENTION OF THE DESIGN ENGINEER.
  - ALL DISTURBED AREAS SHALL BE STABILIZED WITHIN 14 DAYS OF FINISH GRADING IN ACCORDANCE WITH THE VEGETATIVE PRACTICE NOTES.
  - REMOVE TEMPORARY EROSION CONTROL MEASURES ONCE UPSLOPE AREAS HAVE BEEN PERMANENTLY STABILIZED AND VEGETATED AREAS HAVE RECEIVED TWO MOWINGS.
- VEGETATIVE PRACTICE:
 

PERMANENT MEASURES:

  - SLOPES SHALL NOT BE STEEPER THAN 1 VERTICAL TO 3 HORIZONTAL UNLESS OTHERWISE SPECIFIED.
  - LOAM AND SEED REQUIREMENTS ARE SPECIFIED IN RIDOT L.01 & L.02.
  - A MINIMUM OF 4 INCHES OF LOAM SHALL BE INSTALLED. THE LOAM SHALL BE GRADED TO A SMOOTH CONDITION AND STONES AND OTHER OBJECTS LARGER THAN 2 INCHES SHALL BE REMOVED.

TEMPORARY MEASURES (FOR TEMPORARY PROTECTION OF DISTURBED AREAS)

  - LIMESTONE AND FERTILIZER SHALL BE APPLIED AT THE FOLLOWING RATE:
    - D.1. LIMESTONE: 3 TONS/ACRE
    - D.2. FERTILIZER: (10-10-10): 800 LBS/ACRE
  - SEED SHALL BE APPLIED AT THE FOLLOWING RATE:
    - E.1. WINTER RYE: 100 LBS/ACRE
    - F. STRAW MULCH SHALL BE APPLIED AT THE RATE OF 1.5 TONS/ACRE.
- MAINTENANCE:
 

DURING THE PERIOD OF CONSTRUCTION AND/OR UNTIL LONG TERM VEGETATION IS ESTABLISHED, THE EROSION CONTROL MEASURES SHALL BE INSPECTED.

  - AT A MINIMUM THE SILT FENCING, STRAW BALES AND FILTER SOCK BARRIERS SHALL BE INSPECTED AND REPAIRED ONCE A WEEK AND / OR IMMEDIATELY FOLLOWING A SIGNIFICANT RAINFALL OR SNOWMELT. SEDIMENT TRAPPED BEHIND THE BARRIERS SHALL BE EXCAVATED WHEN IT REACHES A DEPTH OF 6" AND REGRADED ON THE SITE.
  - EROSION CONTROL BLANKETS SHALL BE INSPECTED ON A WEEKLY BASIS.
  - SILT SACKS SHALL BE INSPECTED AND REPAIRED ONCE A WEEK AND / OR IMMEDIATELY FOLLOWING A SIGNIFICANT RAINFALL OR SNOWMELT. DURING HEAVY RAIN EVENT, IT MAY BE NECESSARY TO TEMPORARILY REMOVE SACKS IN ORDER TO PREVENT FLOODING. SEDIMENT TRAPPED WITHIN SACKS SHALL BE DISPOSED OF OFF SITE AT A LICENSED FACILITY OR REGRADED ON THE SITE.
  - STONE RIPRAP SHALL BE INSPECTED MONTHLY FOR EXCESSIVE ACCUMULATION OF SEDIMENT. IT MAY BE NECESSARY TO REMOVE STONES, EXCAVATE SEDIMENT, AND REPLACE STONES.
  - IF INSTALLED, THE STABILIZED CONSTRUCTION ENTRANCE SHALL BE REMOVED PRIOR TO PAVING. DURING CONSTRUCTION THE ENTRANCE SHALL BE INSPECTED WEEKLY, AND RE-ESTABLISHED AS NECESSARY.
  - SEEDED AREAS WILL BE FERTILIZED AND RESEEDED AS NECESSARY TO INSURE ESTABLISHMENT OF A VEGETATIVE GROWTH THAT MEETS THE APPROVAL OF THE TOWN ENGINEER.

**DRAINAGE NOTES**

- ALL DRAIN PIPES WITHIN THE PUBLIC ROAD EXTENSION SHALL BE CLASS III RCP. ALL OTHER DRAIN PIPES SHALL BE ADS-N12 TYPE IB OR SCH40 PVC UNLESS OTHERWISE NOTED ON THIS PLAN.
- ALL DRAIN MANHOLES AND CATCH BASINS SHALL BE PRECAST CONCRETE STRUCTURES CONFORMING TO RIDOT STANDARDS PROVIDED IN THIS PLAN SET UNLESS OTHERWISE NOTED.
- RESIDENCE ROOFTOP SHALL DISCHARGE RUNOFF TO GRADE. NO ADDITIONAL STORMWATER MEASURES ARE REQUIRED.
- WET SWALES, SAND FILTER, AND DETENTION BASIN SHALL BE CONSTRUCTED ACCORDING TO THE DETAILS PROVIDED. ANY DISCREPANCIES OR INCONGRUENCIES WITH THE EXISTING SITE CONDITIONS SHALL BE BROUGHT TO THE ATTENTION OF THE DESIGN ENGINEER PRIOR TO CONSTRUCTION.

**PUBLIC HEALTH SAFETY AND CONVENIENCE NOTES**

- CONTRACTOR SHALL OBSERVE AND COMPLY WITH ALL FEDERAL, STATE, AND LOCAL LAWS REQUIRED FOR THE PROTECTION OF PUBLIC HEALTH, SAFETY AND ENVIRONMENTAL QUALITY.
- THE CONTRACTOR AT HIS/HER EXPENSE, SHALL KEEP THE PROJECT AREA AND SURROUNDING AREA FREE FROM RUBBISH, DUST, NOISE, EROSION, ETC. THE WORK SHALL BE DONE IN CONFORMANCE WITH THE AIR AND WATER POLLUTION CONTROL STANDARDS AND REGULATIONS OF ALL APPLICABLE FEDERAL, STATE AND LOCAL AGENCIES.
- NO CONTRACTOR SHALL PERFORM ANY CONSTRUCTION OPERATION SO AS TO CAUSE FALLING ROCKS, SILT OR DEBRIS IN ANY FORM TO FALL, SLIDE OR FLOW ONTO ADJOINING PROPERTIES, STREETS OR NATURAL WATERCOURSES. SHOULD SUCH VIOLATIONS OCCUR, THE CONTRACTOR MAY BE CITED AND THE CONTRACTOR SHALL IMMEDIATELY MAKE ALL REMEDIAL ACTIONS AS NECESSARY.
- THE CONTRACTOR SHALL PROVIDE, INSTALL AND MAINTAIN ALL NECESSARY SIGNS, LIGHTS, FLARES, BARRICADES, MARKERS, CONES, AND OTHER PROTECTIVE FACILITIES AND SHALL TAKE ALL NECESSARY PRECAUTIONS FOR THE PROTECTION, CONVENIENCE AND SAFETY OF THE PUBLIC.

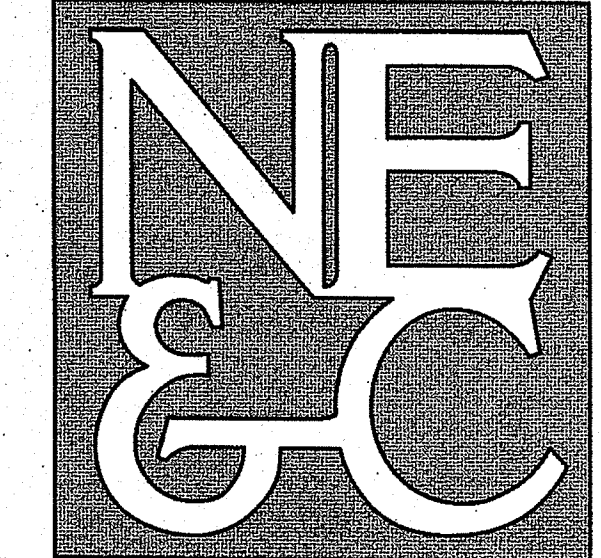
**STORMWATER MAINTENANCE NOTES**

- SAND FILTER MAINTENANCE:
  - GRASSES AND/OR SPECIFIED VEGETATION SHALL BE PLANTED AROUND AND WITHIN THE SAND FILTER IMMEDIATELY FOLLOWING CONSTRUCTION TO STABILIZE SLOPES AND PREVENT EROSION.
  - THE FILTER SHOULD BE INSPECTED FOLLOWING AT LEAST THE FIRST TWO PRECIPITATION EVENTS OF AT LEAST 1.0 INCH TO ENSURE THAT THE SYSTEM IS FUNCTIONING PROPERLY. THEREAFTER, THE FILTER SHOULD BE INSPECTED AT LEAST ANNUALLY AND AFTER STORM EVENTS OF GREATER THAN OR EQUAL THE 1-YEAR, 24-HOUR TYPE III PRECIPITATION EVENT (2.8 INCHES). SEDIMENTS COLLECTED WITHIN THE TOP STRATA OF THE FILTER SHALL BE GRASSES AND/OR SPECIFIED VEGETATION SHALL BE PLANTED AROUND AND WITHIN THE SAND FILTER IMMEDIATELY FOLLOWING CONSTRUCTION TO STABILIZE SLOPES AND PREVENT EROSION.
  - THE FOLLOWING SHALL ALSO BE COMPLETED ON AN ANNUAL BASIS:
    - THE SLOPES OF THE FILTER SHOULD BE INSPECTED FOR EROSION AND GULLING.
    - REINFORCE ANY EXISTING RIPRAP IF IT IS FOUND TO BE DEFICIENT. EROSION IS PRESENT AT THE OUTLET STRUCTURES, OR ANY EXISTING RIPRAP HAS BEEN COMPROMISED.
    - THE UNDERDRAIN RISER OR OVERFLOW OUTLET STRUCTURE SHALL BE INSPECTED FOR LEAKY JOINTS OR CRUSHED LINES. UNDERDRAIN AND OUTLET PIPE SHALL BE CLEAN AND FREE OF MATERIALS THAT CAN REDUCE FLOW.
    - ANY AREAS WITHIN THE EXTENTS OF THE FILTER THAT ARE SUBJECT TO EROSION OR GULLING SHOULD BE REPLENISHED WITH THE ORIGINAL DESIGN MATERIAL AND RE-VEGETATED ACCORDING TO DESIGN DRAWINGS. SLOPE PROTECTION MATERIAL SHOULD BE PLACED IN AREAS PRONE TO EROSION. EMBANKMENT STABILITY SHOULD BE INSPECTED FOR SEEPAGE AND BURROWING ANIMALS.
    - MOW THE GRASS AROUND THE PERIMETER OF AND WITHIN THE FILTER, SEED BARE AREAS, AND REMOVE LITTER AND DEBRIS AT LEAST THREE TIMES PER GROWING SEASON TO MAINTAIN MAXIMUM GRASS HEIGHTS LESS THAN TWELVE INCHES. REMOVE ANY INVASIVE VEGETATION WITHIN THE EXTENTS OF THE FILTER. ANY INVASIVE VEGETATION ENCRoACHING UPON THE PERIMETER OF THE FILTER SHOULD BE PRUNED OR REMOVED IF IT IS PROHIBITING ACCESS TO THE FILTERS, COMPROMISING SIGHT VISIBILITY, AND/OR COMPROMISING THE ORIGINAL DESIGN INTENT. IF DEAD OR DYING GRASS ON THE BOTTOM IS OBSERVED, CHECK TO ENSURE THAT WATER INFILTRATES WITHIN TWO DAYS FOLLOWING STORMS.
    - SILT/SEDIMENT SHOULD BE REMOVED FROM THE FILTER BED ANNUALLY, WHEN ACCUMULATION EXCEEDS 1 INCH, OR WHEN THE FILTERING CAPACITY DIMINISHES SUBSTANTIALLY. IF STANDING WATER IS OBSERVED MORE THAN 48 HOURS AFTER A STORM EVENT, THEN THE TOP 6 INCHES OF SAND SHOULD BE REMOVED AND REPLACED. IF DISCOLORED OR CONTAMINATED MATERIAL IS FOUND BELOW THIS REMOVED SURFACE THEN THAT MATERIAL SHOULD ALSO BE REMOVED AND REPLACED UNTIL ALL CONTAMINATED SAND HAS BEEN REMOVED FROM THE FILTER MEDIA. THE SAND SHOULD BE DISPOSED OF IN ACCORDANCE WITH ALL APPLICABLE REGULATIONS.
- CONVEYANCE STRUCTURE MAINTENANCE:
  - ALL INLET / OUTFLOW PIPES ARE TO BE INSPECTED AT LEAST THREE TIMES IN THE FIRST SIX MONTHS OF OPERATION. EVIDENCE OF CLOGGING, OR RAPID RELEASE OF FLOW SHALL BE REPORTED TO THE PROJECT ENGINEER AND REMEDIED IMMEDIATELY.
  - CONVEYANCE PIPES SHOULD BE INSPECTED BIANNUALLY. ANY STRUCTURAL FAULTS SHOULD BE REPAIRED AS NECESSARY FOR PROPER FUNCTION OF THE STRUCTURE.
    - ROOF RUNOFF STRUCTURES SUCH AS GUTTERS AND DOWNSPOUTS SHOULD BE CLEAN AND FREE OF OBSTRUCTIONS THAT REDUCE FLOW. A REGISTERED PROFESSIONAL ENGINEER SHOULD BE CONSULTED IF NECESSARY TO DETERMINE WHETHER A STRUCTURE HAS BEEN COMPROMISED.
- SEDIMENTS AND TRASH SHALL BE REMOVED FROM SWALES ON AN ANNUAL BASIS. EXCESSIVE VEGETATION THAT NEGATIVELY AFFECTS THE HYDRAULIC EFFICIENCY OF THE SWALE SHALL BE PRUNED OR REMOVED. ANY EXPOSED SOIL SHALL BE REINFORCED WITH NEW PLANTINGS IMMEDIATELY AFTER DISTURBANCE.
- MAINTENANCE OF THE STORMWATER SYSTEM DURING CONSTRUCTION OF THE PROJECT SHALL BE THE RESPONSIBILITY OF THE CONTRACTOR.
- UPON COMPLETION OF THE CONSTRUCTION, MAINTENANCE OF THE STORMWATER SYSTEM SHALL BECOME THE RESPONSIBILITY OF THE OWNERS.

**ABBREVIATIONS**

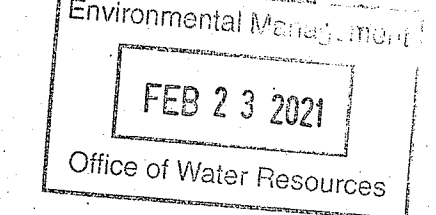
AC	ASPHALT PAVEMENT
ADJ	ADJACENT
AP	ASSESSOR'S PLAT
ACCESS	ACCESSIBLE
ARCH	ARCHITECT
BC	BOTTOM OF CURB
BH	BORING HOLE
BIT	BITUMINOUS
CLR	CLEARANCE
CMF	CORRUGATED METAL PIPE
CMU	CONCRETE MASONRY UNIT
CONC	CONCRETE
CONN	CONNECT
COTG	CLEAN OUT TO GRADE
CF	CURB
DEMO	DEMOLISH
DI	DRAIN INLET
DIA	DIAMETER
DMH	DRAIN MANHOLE
DP	DROP PIPE
DS	DOWN SPOUT
DWS	DRAWING
E	ELECTRIC
ELEVEL	ELEVATION
EMH	ELECTRIC MANHOLE
EOP	EDGE OF PAVEMENT
EQ	EQUAL
EXIST	EXISTING
EXP	EXPANSION
FF	FINISH FLOOR ELEVATION
FG	FINISHED GRADE
PH	FIRE HYDRANT
FEET	FEET
G	GAS
GAL	GALLON
GV	GATE VALVE
INV	INVERT
JT	JOINT
L	LENGTH
LAND	LANDSCAPE
NTS	NOT TO SCALE
MAX	MAXIMUM
MECH	MECHANICAL
MIN	MINIMUM
PAPT	PAVEMENT
PVC	POLYVINYLCHLORIDE
R	RADIUS
RC	REINFORCED CONCRETE
RECONN	RECONNECT
RIBB	RHODE ISLAND HIGHWAY BOUND
RIDOT	RHODE ISLAND DEPARTMENT OF TRANSPORTATION
ROW	RIGHT OF WAY
S	SLOPE, SEWER
SF	SQUARE FEET
SHT	SHEET
SMH	SEWER MANHOLE
STA	STATION
STRUCT	STRUCTURAL
TC	TOP OF CURB
TOP	TOP OF SURFACE
UGT	UNDERGROUND TELEPHONE
TYP	TYPICAL
W	WATER
W/	WITH
WWM	WELDED WIRE MESH

**NORTHEAST ENGINEERS & CONSULTANTS, INC.**



A KNOWLEDGE CORPORATION®

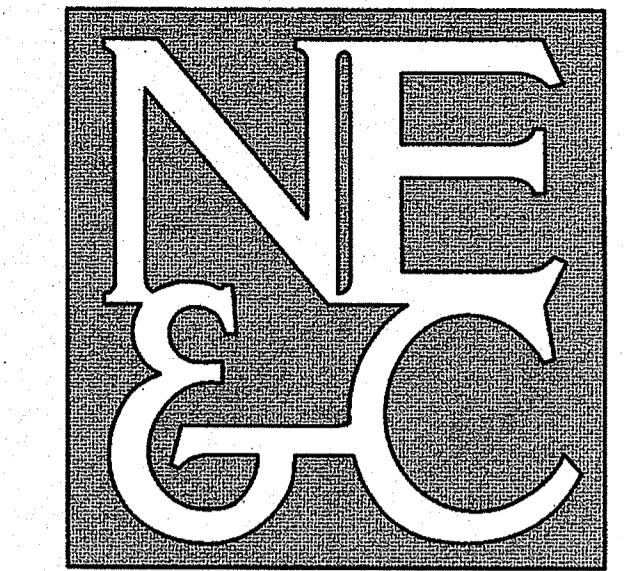
6 VALLEY ROAD MIDDLETOWN RHODE ISLAND 02842  
PHONE (401) 849-0810 FAX (401) 846-4169  
WWW.NORTHEASTENGINEERS.COM



DEPARTMENT OF ENVIRONMENTAL MANAGEMENT  
OFFICE OF WATER RESOURCES  
FRESHWATER WETLANDS PROGRAM  
APPROVED WITH CONDITIONS  
AS SPECIFIED IN THE LETTER OF APPROVAL  
DATED Mar. 10, 2021 FILE # 20-0729  
NO CHANGES ALLOWED WITHOUT PRIOR APPROVAL  
APPROVED PLANS MUST BE AT CONSTRUCTION SITE

*Jeremy J. Freeman*

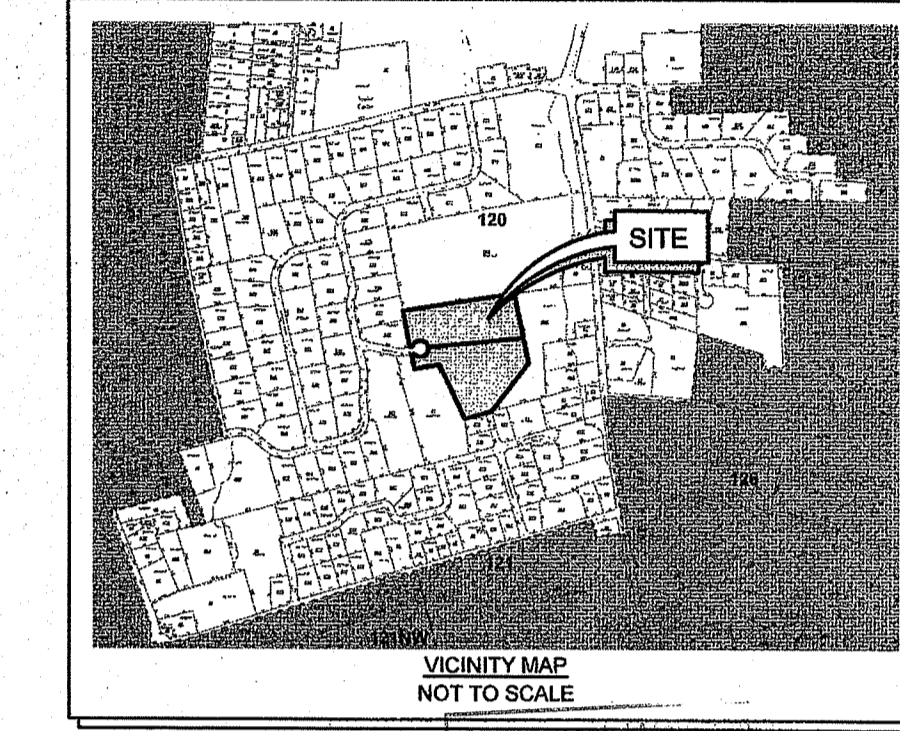
1	CORRECTED TYPO	17FEB21	
No.	Revision	Date	App.
Designed By:	Drawn by: JJR	Checked by: GES	
Scale:	N/A	Date:	20NOV20
Project Title:			
<b>CAMPOS SUBDIVISION</b> <b>A.P. 120 LOTS 68-A &amp; 68-B</b> SERENITY DRIVE MIDDLETOWN RHODE ISLAND			
Client/Owner:	MR. JUAN CAMPOS 162 BROADWAY, UNIT 1 NEWPORT, RI 02840		
Issued for:	PERMITTING		
Drawing Title:	<b>PROJECT NOTES</b>		
Drawing Number:	<b>C-2</b>		
Sheet	2 of 11		
Project Number:	19187.0		
Survey Index:	- 120 - 68A & B		
OWNERSHIP AND USE OF DOCUMENTS: DRAWINGS AND SPECIFICATIONS, AS INSTRUMENTS OF PROFESSIONAL SERVICE, ARE AND SHALL REMAIN THE PROPERTY OF THE ENGINEER. THESE DOCUMENTS ARE NOT TO BE USED, IN WHOLE OR PART, FOR ANY OTHER PROJECTS OR PURPOSES, OR BY ANY OTHER PARTIES, THAN THOSE PROPERLY AUTHORIZED BY CONTRACT, WITHOUT THE EXPRESS AUTHORIZATION OF THE ENGINEER.			



SITE/CIVIL  
LAND PLANNING  
WATERFRONT  
SURVEYING  
GEOTECHNICAL  
ENVIRONMENTAL  
TRANSPORTATION  
STRUCTURAL  
MATERIALS TESTING

A KNOWLEDGE CORPORATION®

6 VALLEY ROAD MIDDLETOWN, RHODE ISLAND 02842  
PHONE (401) 848-0810 FAX (401) 846-4169  
WWW.NORTHEASTENGINEERS.COM



VICINITY MAP  
NOT TO SCALE  
Office of Water Resources  
FEB 23 2021

DEPARTMENT OF ENVIRONMENTAL MANAGEMENT  
OFFICE OF WATER RESOURCES  
FRESHWATER WETLANDS PROGRAM  
APPROVED WITH CONDITIONS  
AS SPECIFIED IN THE LETTER OF APPROVAL  
DATED Mar 10, 2021 FILE # 20-0279  
NO CHANGES ALLOWED WITHOUT PRIOR APPROVAL  
APPROVED PLANS MUST BE AT CONSTRUCTION SITE

No.	Revision	Date	App.
Designed By:	Drawn by: VAL	Checked by: SML	
Scale:	1"=50'	Date:	20NOV20

Project Title:  
**CAMPOS SUBDIVISION**  
A.P. 120, LOTS 68-A & 68-B  
SERENITY DRIVE  
MIDDLETOWN  
RHODE ISLAND

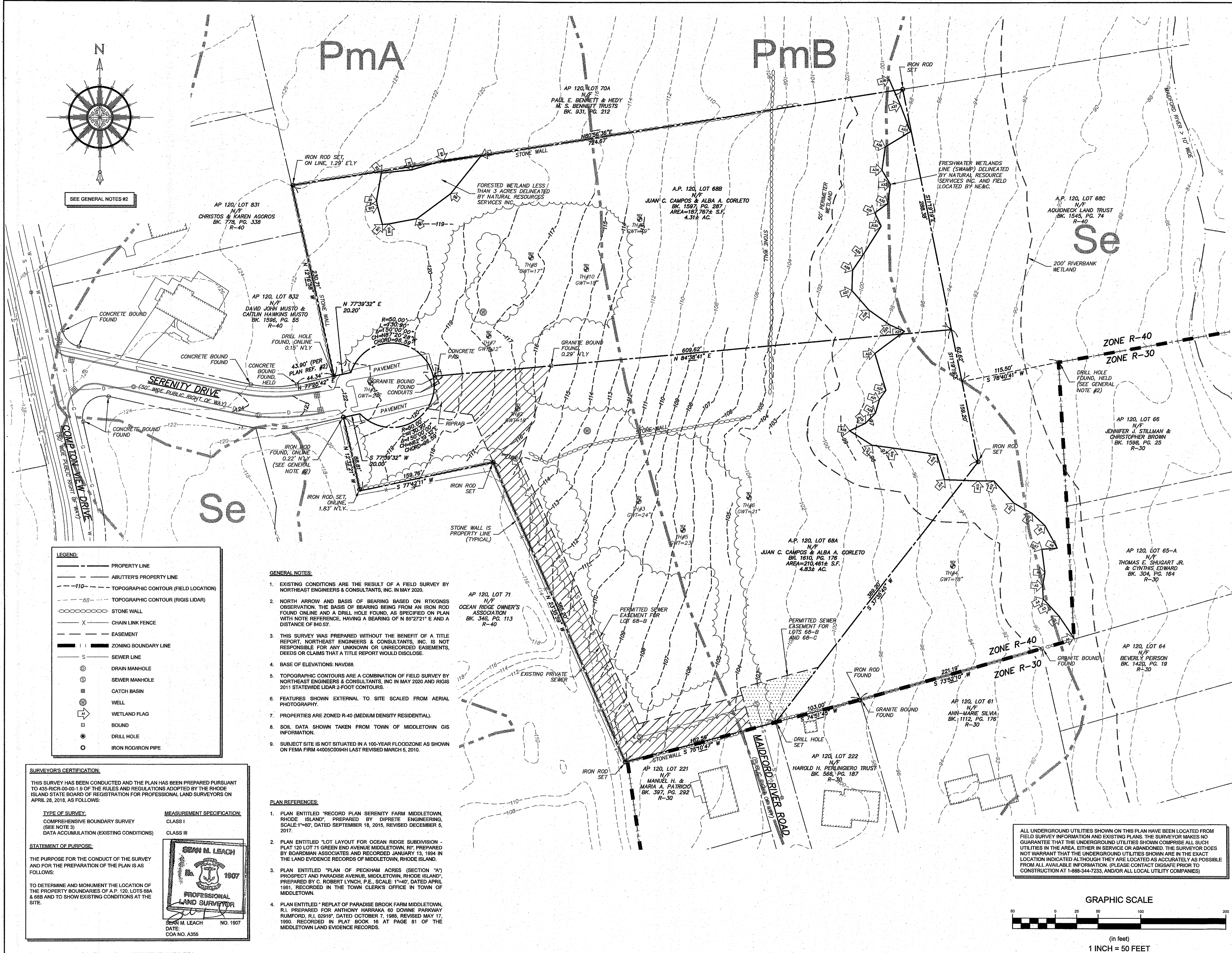
Client/Owner:  
**MR. JUAN CAMPOS**  
162 BROADWAY, UNIT 1  
NEWPORT, RI 02840

Issued for:  
PERMITTING

Drawing Title:  
**COMPREHENSIVE  
BOUNDARY SURVEY**  
WITH EXISTING CONDITIONS

Drawing Number:	<b>C-3</b>
Sheet	3 of 11
Project Number:	19187.1
Survey Index:	13 - 120 - 68A & 68B

OWNERSHIP AND USE OF DOCUMENTS: DRAWINGS AND SPECIFICATIONS, AS INSTRUMENTS OF PROFESSIONAL SERVICE, ARE AND SHALL REMAIN THE PROPERTY OF THE ENGINEER. THESE DOCUMENTS ARE NOT TO BE USED, IN WHOLE OR PART, FOR ANY OTHER PROJECTS OR PURPOSES, OR BY ANY OTHER PARTIES, THAN THOSE PROPERLY AUTHORIZED BY CONTRACT, WITHOUT THE EXPRESS AUTHORIZATION OF THE ENGINEER.



**LEGEND:**

- PROPERTY LINE
- - - ABUTTER'S PROPERTY LINE
- 110- TOPOGRAPHIC CONTOUR (FIELD LOCATION)
- 85- TOPOGRAPHIC CONTOUR (RIGIS LIDAR)
- STONE WALL
- X CHAIN LINK FENCE
- - - EASEMENT
- ZONING BOUNDARY LINE
- S SEWER LINE
- ⊕ DRAIN MANHOLE
- ⊙ SEWER MANHOLE
- ⊕ CATCH BASIN
- ⊙ WELL
- ⊕ WETLAND FLAG
- BOUND
- DRILL HOLE
- IRON ROD/IRON PIPE

- GENERAL NOTES:**
- EXISTING CONDITIONS ARE THE RESULT OF A FIELD SURVEY BY NORTHEAST ENGINEERS & CONSULTANTS, INC. IN MAY 2020.
  - NORTH ARROW AND BASIS OF BEARING BASED ON RTKGNSS OBSERVATION. THE BASIS OF BEARING BEING FROM AN IRON ROD FOUND ONLINE AND A DRILL HOLE FOUND, AS SPECIFIED ON PLAN WITH NOTE REFERENCE, HAVING A BEARING OF N 89°27'1" E AND A DISTANCE OF 840.53'.
  - THIS SURVEY WAS PREPARED WITHOUT THE BENEFIT OF A TITLE REPORT. NORTHEAST ENGINEERS & CONSULTANTS, INC. IS NOT RESPONSIBLE FOR ANY UNKNOWN OR UNRECORDED EASEMENTS, DEEDS OR CLAIMS THAT A TITLE REPORT WOULD DISCLOSE.
  - BASE OF ELEVATIONS: NAVD83.
  - TOPOGRAPHIC CONTOURS ARE A COMBINATION OF FIELD SURVEY BY NORTHEAST ENGINEERS & CONSULTANTS, INC. IN MAY 2020 AND RIGIS 2011 STATEWIDE LIDAR 2-FOOT CONTOURS.
  - FEATURES SHOWN EXTERNAL TO SITE SCALED FROM AERIAL PHOTOGRAPHY.
  - PROPERTIES ARE ZONED R-40 (MEDIUM DENSITY RESIDENTIAL).
  - SOIL DATA SHOWN TAKEN FROM TOWN OF MIDDLETOWN GIS INFORMATION.
  - SUBJECT SITE IS NOT SITUATED IN A 100-YEAR FLOODZONE AS SHOWN ON FEMA FIRM 44009C02094H LAST REVISED MARCH 5, 2019.

- PLAN REFERENCES:**
- PLAN ENTITLED "RECORD PLAN SERENITY FARM MIDDLETOWN, RHODE ISLAND", PREPARED BY DIPRETE ENGINEERING, SCALE: 1"=60', DATED SEPTEMBER 18, 2015, REVISED DECEMBER 5, 2017.
  - PLAN ENTITLED "LOT LAYOUT FOR OCEAN RIDGE SUBDIVISION - PLAT 120 LOT 71 GREEN END AVENUE MIDDLETOWN, RI", PREPARED BY BOARDMAN ASSOCIATES AND RECORDED JANUARY 13, 1994 IN THE LAND EVIDENCE RECORDS OF MIDDLETOWN, RHODE ISLAND.
  - PLAN ENTITLED "PLAN OF PECKHAM ACRES (SECTION 'A') PROSPECT AND PARADISE AVENUE, MIDDLETOWN, RHODE ISLAND", PREPARED BY C. ROBERT LYNCH, P.E., SCALE: 1"=40', DATED APRIL 1991, RECORDED IN THE TOWN CLERK'S OFFICE IN TOWN OF MIDDLETOWN.
  - PLAN ENTITLED "REPLAT OF PARADISE BROOK FARM MIDDLETOWN, R.I. PREPARED FOR ANTHONY HARRAKA 60 DOWNE PARKWAY RUMFORD, R.I. 02916", DATED OCTOBER 7, 1988, REVISED MAY 17, 1990, RECORDED IN PLAT BOOK 16 AT PAGE 81 OF THE MIDDLETOWN LAND EVIDENCE RECORDS.

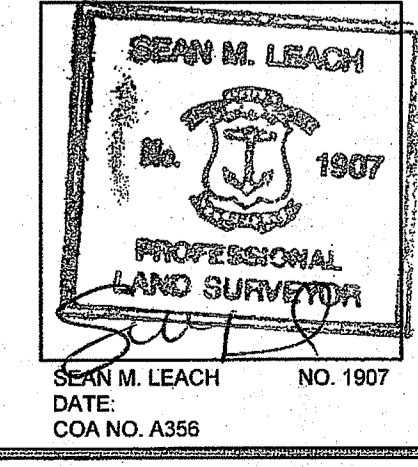
**SURVEYOR'S CERTIFICATION:**  
THIS SURVEY HAS BEEN CONDUCTED AND THE PLAN HAS BEEN PREPARED PURSUANT TO 435-RICR-00-00-1.9 OF THE RULES AND REGULATIONS ADOPTED BY THE RHODE ISLAND STATE BOARD OF REGISTRATION FOR PROFESSIONAL LAND SURVEYORS ON APRIL 28, 2018, AS FOLLOWS:

**TYPE OF SURVEY:**  
COMPREHENSIVE BOUNDARY SURVEY  
(SEE NOTE 3)  
DATA ACCUMULATION (EXISTING CONDITIONS)

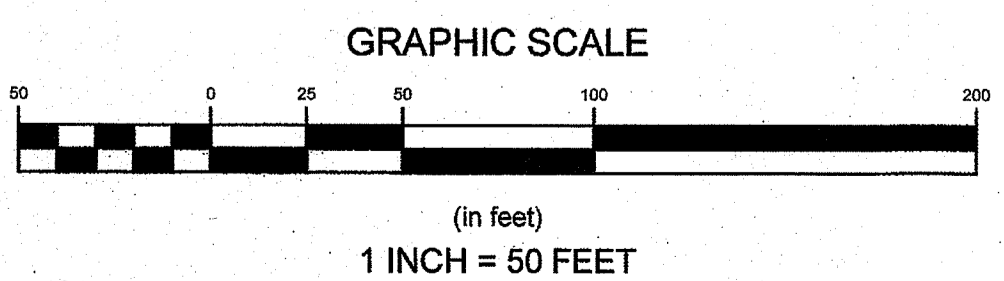
**MEASUREMENT SPECIFICATION:**  
CLASS I  
CLASS III

**STATEMENT OF PURPOSE:**  
THE PURPOSE FOR THE CONDUCT OF THE SURVEY AND FOR THE PREPARATION OF THE PLAN IS AS FOLLOWS:

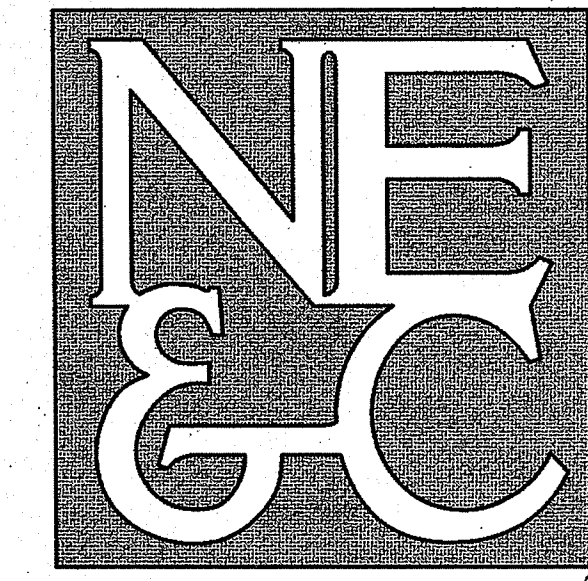
TO DETERMINE AND MONUMENT THE LOCATION OF THE PROPERTY BOUNDARIES OF A.P. 120, LOTS 68A & 68B AND TO SHOW EXISTING CONDITIONS AT THE SITE.



ALL UNDERGROUND UTILITIES SHOWN ON THIS PLAN HAVE BEEN LOCATED FROM FIELD SURVEY INFORMATION AND EXISTING PLANS. THE SURVEYOR MAKES NO GUARANTEE THAT THE UNDERGROUND UTILITIES SHOWN COMPRISE ALL SUCH UTILITIES IN THE AREA, EITHER IN SERVICE OR ABANDONED. THE SURVEYOR DOES NOT WARRANT THAT THE UNDERGROUND UTILITIES SHOWN ARE IN THE EXACT LOCATION INDICATED ALTHOUGH THEY ARE LOCATED AS ACCURATELY AS POSSIBLE FROM ALL AVAILABLE INFORMATION. PLEASE CONTACT DISAFAE PRIOR TO CONSTRUCTION AT 1-888-344-7233, AND/OR ALL LOCAL UTILITY COMPANIES.







A KNOWLEDGE CORPORATION®

6 VALLEY ROAD MIDDLETOWN, RHODE ISLAND 02842  
PHONE (401) 849-0810 FAX (401) 846-4169  
WWW.NORTHEASTENGINEERS.COM

FEB 23 2021  
Office of Water Resources

DEPARTMENT OF ENVIRONMENTAL MANAGEMENT  
OFFICE OF WATER RESOURCES  
FRESHWATER WETLANDS PROGRAM  
APPROVED WITH CONDITIONS  
AS SPECIFIED IN THE LETTER OF APPROVAL  
DATED Mar 13 2021 FILE # 10-079  
NO CHANGES ALLOWED WITHOUT PRIOR APPROVAL  
APPROVED PLANS MUST BE AT CONSTRUCTION SITE

*Wendy L. Freeman*

A.P. 120, LOT 68C  
N/F  
AQUINECK LAND TRUST  
BK. 1545, PG. 74  
R-40

ZONE R-40  
ZONE R-30

A.P. 120, LOT 66  
N/F  
JENNIFER J. STILLMAN &  
CHRISTOPHER BROWN  
BK. 1598, PG. 25  
R-30

A.P. 120, LOT 65-A  
N/F  
THOMAS E. SHUGART JR.  
& CYNTHIA EDWARD  
BK. 304, PG. 164  
R-30

A.P. 120, LOT 64  
N/F  
BEVERLY PEIRSON  
BK. 1420, PG. 19  
R-30

A.P. 120, LOT 61  
N/F  
ANN-MARIE SILVA  
BK. 1112, PG. 178  
R-30

A.P. 120, LOT 222  
N/F  
HAROLD H. PERLINGIERO TRUST  
BK. 568, PG. 187  
EXISTING SEWER MAIN

A.P. 120, LOT 221  
N/F  
MANUEL H. &  
MARIA A. PATRICIO  
BK. 397, PG. 292  
R-30

A.P. 120, LOT 70A  
N/F  
PAUL E. BENNETT & HEDY  
M. S. BENNETT TRUSTS  
BK. 931, PG. 212

A.P. 120, LOT 831  
N/F  
CHRISTOS & KAREN AGOROS  
BK. 778, PG. 338  
R-40

A.P. 120, LOT 832  
N/F  
DAVID JOHN MUSTO &  
CATILIN HAWKINS MUSTO  
BK. 1506, PG. 95  
R-40

PROPOSED CONNECTION TO  
EXISTING GAS MAIN SUBJECT TO  
DESIGN AND APPROVAL BY  
NATIONAL GRID GAS

PROPOSED CONNECTION TO  
EXISTING ELECTRICAL AND  
COMMUNICATIONS CONDUIT  
SUBJECT TO REVIEW AND DESIGN BY  
NATIONAL GRID AND RESPECTIVE  
COMM PROVIDERS.

PROPOSED TIE AND CONNECTION  
TO EXISTING WATER MAIN SUBJECT  
TO REVIEW AND APPROVAL BY  
NEWPORT WATER

PROPOSED 4' WIDE  
SIDEWALK TO  
MATCH EXISTING

PROPOSED STREET TREES  
SUBJECT TO DESIGN AND  
SPECIFICATION BY A RI  
REGISTERED LANDSCAPE  
ARCHITECT

REMOVE TOP HALF OF  
SEWER MANHOLE.  
ABANDON LOWER  
SECTION IN PLACE.

REMOVE TOP HALF OF  
SEWER MANHOLE.  
ABANDON LOWER  
SECTION IN PLACE.

SMH02  
RIM=112.00  
INV. IN = 105.00 (8')  
INV. OUT = 104.90 (8')

SMH03  
RIM=104.25  
INV. IN = 98.25 (8')  
INV. OUT = 98.15 (8')

EXISTING SEWER  
MANHOLE  
INV=67.0 (TO BE VERIFIED  
IN FIELD PRIOR TO  
CONSTRUCTION)

LEGEND:

- PROPERTY LINE
- - - ABUTTER'S PROPERTY LINE
- - - TOPOGRAPHIC CONTOUR (FIELD LOCATION)
- - - TOPOGRAPHIC CONTOUR (RIGIS LIDAR)
- ZONING BOUNDARY LINE
- S SEWER LINE
- ⊕ DRAIN MANHOLE
- ⊙ SEWER MANHOLE
- ⊗ CATCH BASIN
- ⊖ WELL
- ⊕ WETLAND FLAG
- ⊙ BOUND
- ⊙ DRILL HOLE
- ⊙ IRON ROD/IRON PIPE
- W B 8" WATER MAIN
- W WATER SERVICE
- S B 8" SEWER MAIN
- S 6" SEWER SERVICE
- G GAS MAIN / SERVICE
- E ELEC / COM CONDUITS
- ⊕ WATER GATE VALVE / ROAD BOX
- ⊕ GAS VALVE / SHUTOFF VALVE
- ⊙ SEWER MANHOLE

No.	REVISIONS	Date	App.
1		17FEB21	

Designed By: \_\_\_\_\_ Drawn by: JJR Checked by: GES  
Scale: 1"=50' Date: 20NOV20

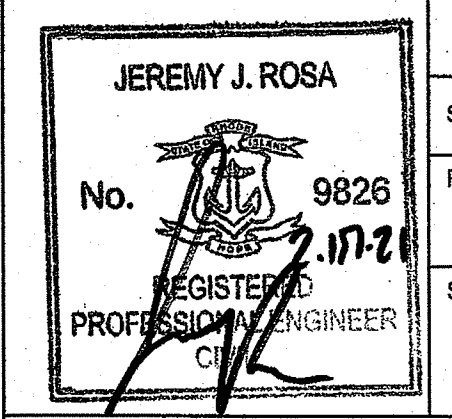
Project Title:  
**CAMPOS SUBDIVISION**  
A.P. 120 LOTS 68-A & 68-B  
SERENITY DRIVE  
MIDDLETOWN  
RHODE ISLAND

Client/Owner:  
MR. JUAN CAMPOS  
162 BROADWAY, UNIT 1  
NEWPORT, RI 02840

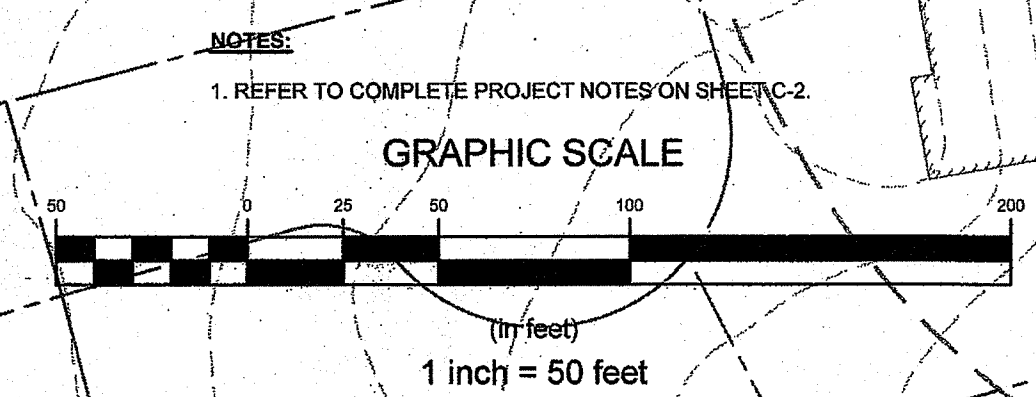
Issued for:  
PERMITTING

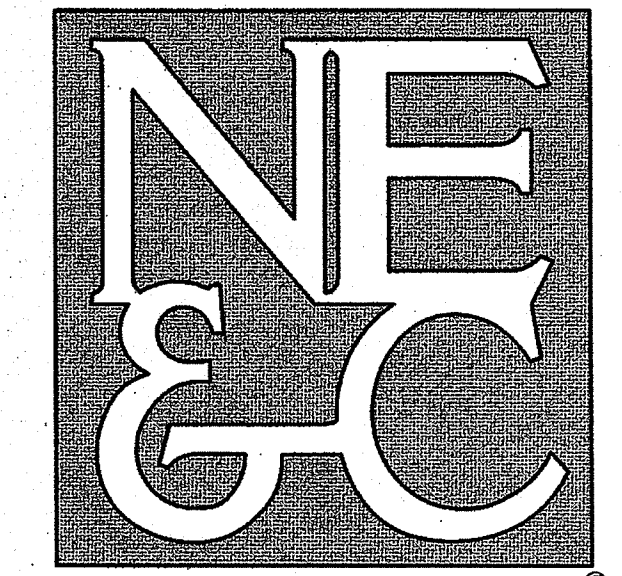
Drawing Title:  
**PROPOSED  
LAYOUT AND  
UTILITY PLAN**

Drawing Number: **C-5**  
Sheet **5** of **11**  
Project Number: **19187.0**  
Survey Index:  
**- 120 - 68A & B**



OWNERSHIP AND USE OF DOCUMENTS: DRAWINGS AND SPECIFICATIONS, AS INSTRUMENTS OF PROFESSIONAL SERVICE, ARE AND SHALL REMAIN THE PROPERTY OF THE ENGINEER. THESE DOCUMENTS ARE NOT TO BE USED, IN WHOLE OR PART, FOR ANY OTHER PROJECTS OR PURPOSES, OR BY ANY OTHER PARTIES, THAN THOSE PROPERLY AUTHORIZED BY CONTRACT, WITHOUT THE EXPRESS AUTHORIZATION OF THE ENGINEER.





A KNOWLEDGE CORPORATION

6 VALLEY ROAD MIDDLETOWN RHODE ISLAND 02842  
 PHONE (401) 849-0810 FAX (401) 846-4169  
 WWW.NORTHEASTENGINEERS.COM

FEB 23 2021  
 Office of Water Resources

DEPARTMENT OF ENVIRONMENTAL MANAGEMENT  
 OFFICE OF WATER RESOURCES  
 FRESHWATER WETLANDS PROGRAM  
 APPROVED WITH CONDITIONS  
 AS SPECIFIED IN THE LETTER OF APPROVAL  
 DATED MAY 10, 2021 FILE # 20-0279  
 NO CHANGES ALLOWED WITHOUT PRIOR APPROVAL  
 APPROVED PLANS MUST BE AT CONSTRUCTION SITE

- LEGEND:
- PROPERTY LINE
  - - - ABUTTER'S PROPERTY LINE
  - - - TOPOGRAPHIC CONTOUR (FIELD LOCATION)
  - - - TOPOGRAPHIC CONTOUR (RIGIS LIDAR)
  - W 8 6" WATER MAIN
  - W 8 WATER SERVICE
  - S 8 8" SEWER MAIN
  - S 8 6" SEWER SERVICE
  - G GAS MAIN / SERVICE
  - E ELEC / COM CONDUITS
  - WATER GATE VALVE / ROAD BOX
  - GAS VALVE / SHUTOFF VALVE
  - SEWER MANHOLE
  - 100 PROPOSED TOPOGRAPHY
  - +100.0 PROPOSED SPOT ELEVATION
  - PROPOSED CATCH BASIN
  - PROPOSED DRAIN MANHOLE
  - PROPOSED SWALE

No.	REVISIONS	Date
1	Revision	17FEB21

Designed By: JJR Drawn by: JJR Checked by: GES  
 Scale: 1"=50' Date: 20NOV20

**CAMPOS SUBDIVISION**  
 A.P. 120 LOTS 68-A & 68-B  
 SERENITY DRIVE  
 MIDDLETOWN  
 RHODE ISLAND

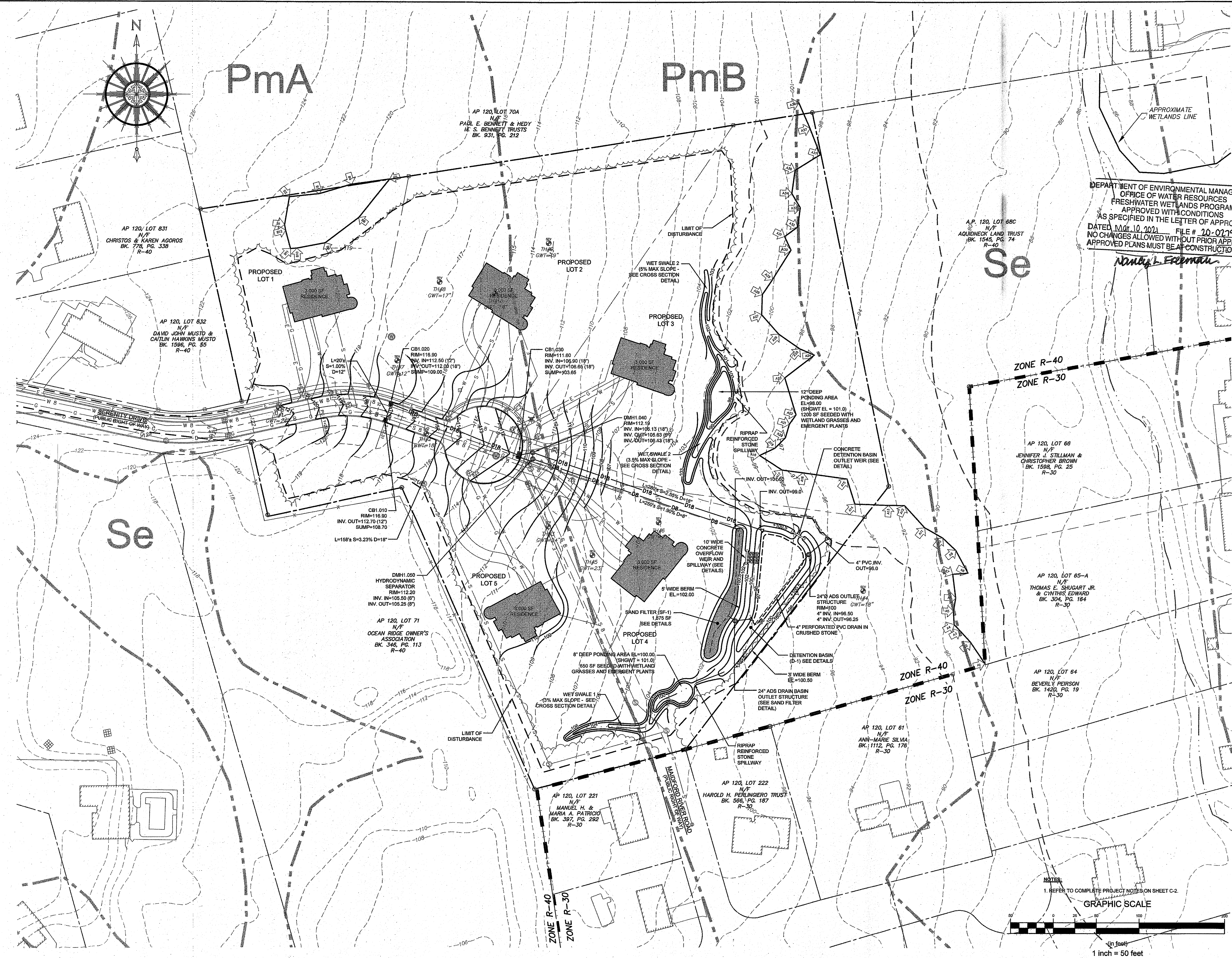
Client/Owner:  
 MR. JUAN CAMPOS  
 162 BROADWAY, UNIT 1  
 NEWPORT, RI 02840

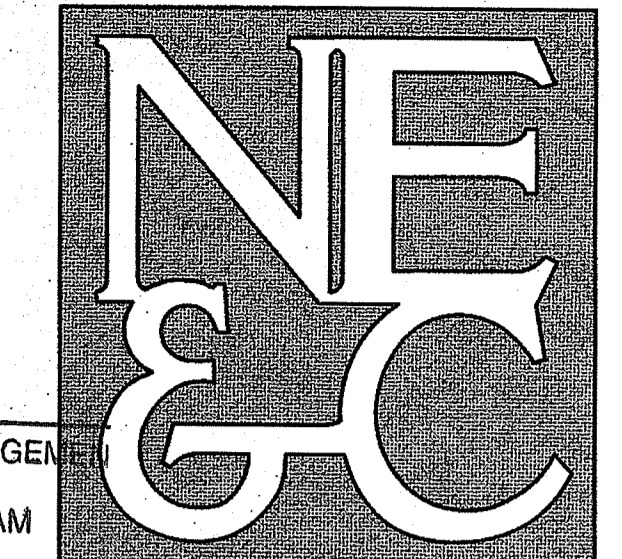
Issued for:  
 PERMITTING

Drawing Title:  
**PROPOSED GRADING AND DRAINAGE PLAN**

Drawing Number: **C-6**  
 Sheet **6** of **11**  
 Project Number: **19187.0**  
 Survey Index: **- 120 - 68A & B**

OWNERSHIP AND USE OF DOCUMENTS: DRAWINGS AND SPECIFICATIONS, AS INSTRUMENTS OF PROFESSIONAL SERVICE, ARE AND SHALL REMAIN THE PROPERTY OF THE ENGINEER. THESE DOCUMENTS ARE NOT TO BE USED, IN WHOLE OR PART, FOR ANY OTHER PROJECTS OR PURPOSES, OR BY ANY OTHER PARTIES, THAN THOSE PROPERLY AUTHORIZED BY CONTRACT, WITHOUT THE EXPRESS AUTHORIZATION OF THE ENGINEER.





SITE/CIVIL  
LAND PLANNING  
WATERFRONT  
SURVEYING  
GEOTECHNICAL  
ENVIRONMENTAL  
TRANSPORTATION  
STRUCTURAL

DEPARTMENT OF ENVIRONMENTAL MANAGEMENT  
OFFICE OF WATER RESOURCES  
FRESHWATER WETLANDS PROGRAM  
APPROVED WITH CONDITIONS  
AS SPECIFIED IN THE LETTER OF APPROVAL  
A KNOWLEDGE CORPORATION  
DATED Mar 10 2021 FILE # 20-0779  
NO CHANGES ALLOWED WITHOUT PRIOR APPROVAL  
APPROVED PLANS MUST BE AT CONSTRUCTION  
VALLEY ROAD MIDDLETOWN RHODE ISLAND 02842  
PHONE (401) 849-0810 FAX (401) 846-4189  
WWW.NORTHEASTENGINEERS.COM

*Nancy J. Federman*

A.P. 120, LOT 68C  
N/F  
AQUINECK LAND TRUST  
BK. 1543, PG. 74  
R-40

FEB 23 2021  
Office of Water Resources

- LEGEND:
- PROPERTY LINE
  - - - ABUTTER'S PROPERTY LINE
  - - - 710 TOPOGRAPHIC CONTOUR (FIELD LOCATION)
  - - - 25 TOPOGRAPHIC CONTOUR (RIGIS LIDAR)
  - W 8 8" WATER MAIN
  - S 8 8" SEWER MAIN
  - G GAS MAIN / SERVICE
  - E ELEC / COM CONDUITS
  - WATER GATE VALVE / ROAD BOX
  - GAS VALVE / SHUTOFF VALVE
  - SEWER MANHOLE
  - PROPOSED CATCH BASIN
  - PROPOSED DRAIN MANHOLE
  - F.S. PROPOSED EROSION CONTROL BARRIER
  - - - PROPOSED LIMIT OF DISTURBANCE
  - - - 100 PROPOSED CONSTRUCTION GRADING
  - PROPOSED STRAW BALES

No.	Revision	Date	App.
1	RIDEM REVISIONS	17FEB21	

Designed By: JJR Drawn by: JJR Checked by: GES  
Scale: 1"=50' Date: 20NOV20

Project Title:  
**CAMPOS SUBDIVISION  
A.P. 120 LOTS 68-A & 68-B**  
SERENITY DRIVE  
MIDDLETOWN  
RHODE ISLAND

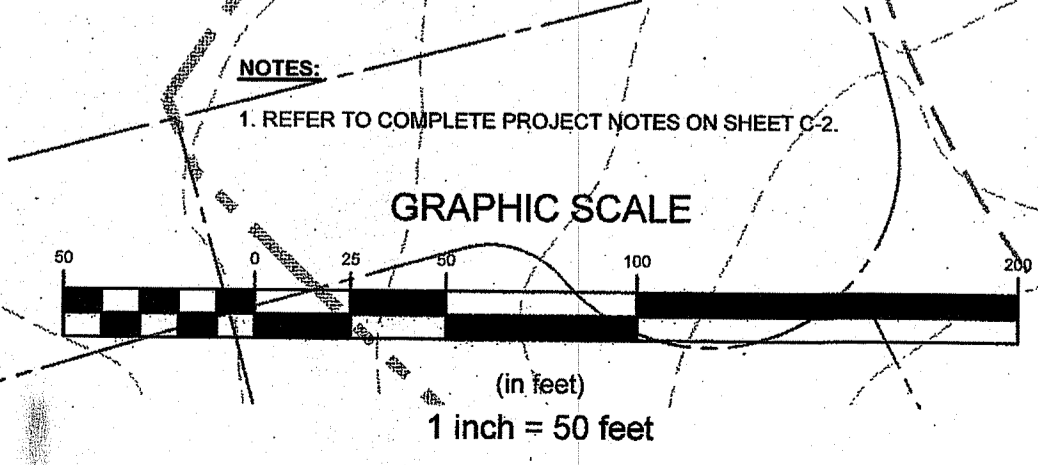
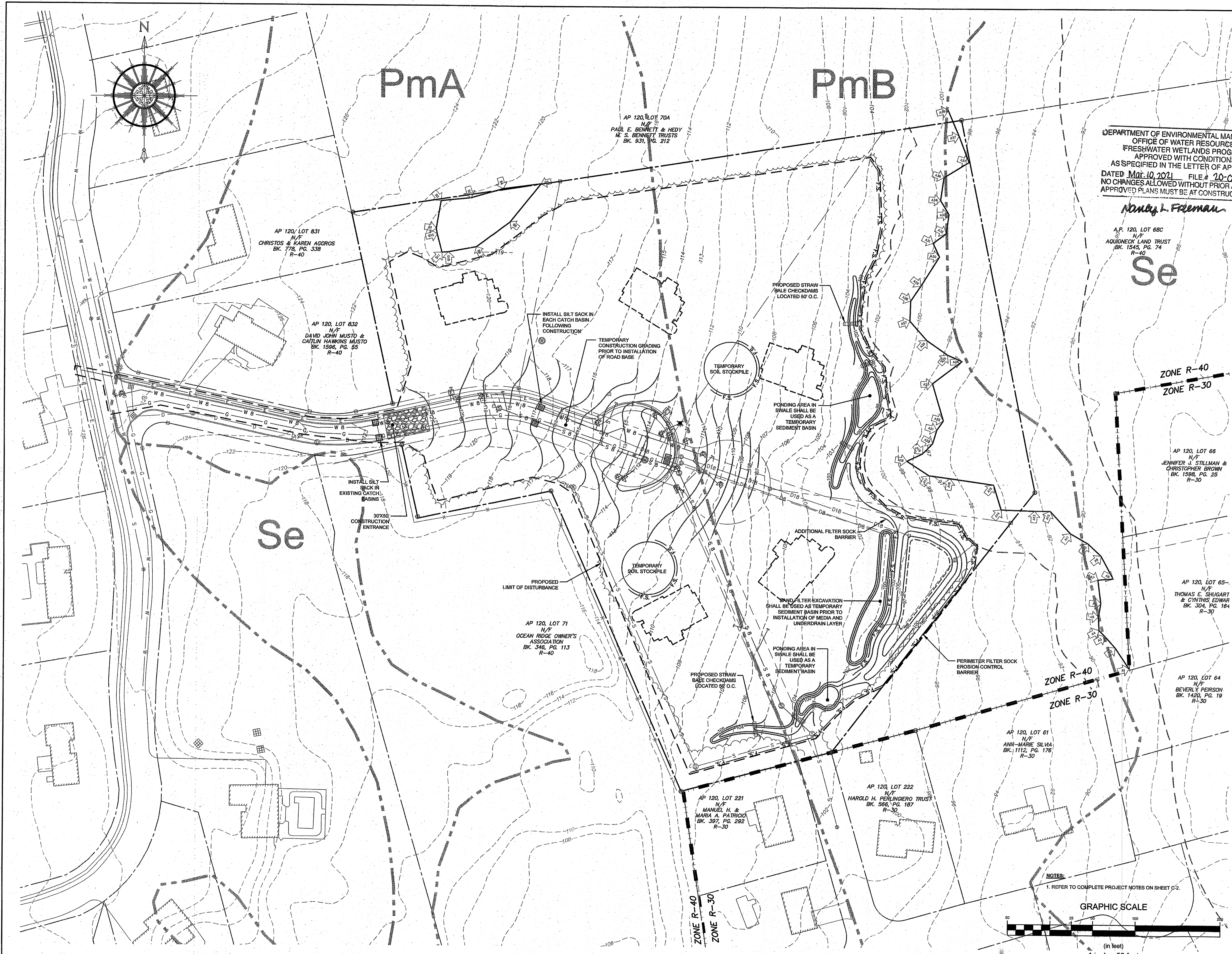
Client/Owner:  
MR. JUAN CAMPOS  
162 BROADWAY, UNIT 1  
NEWPORT, RI 02840

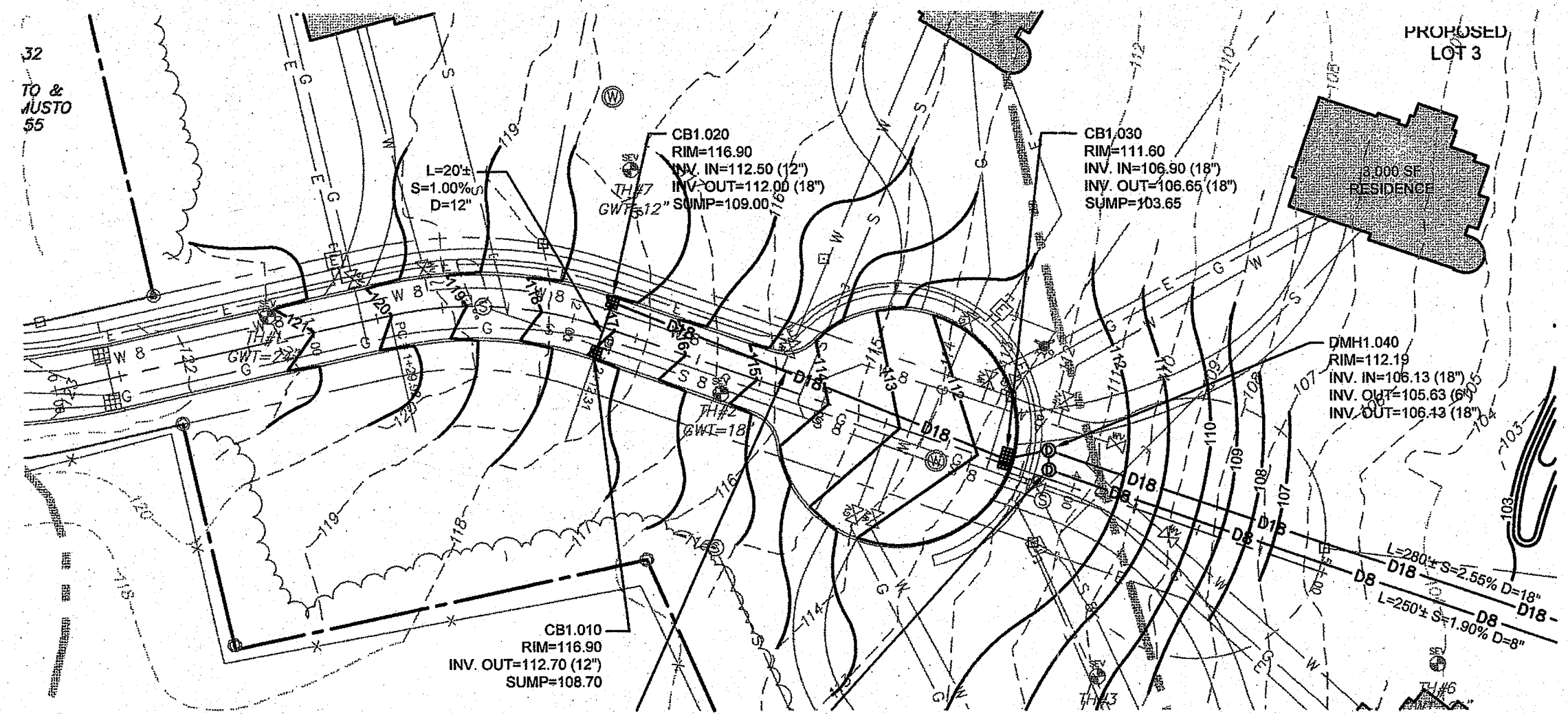
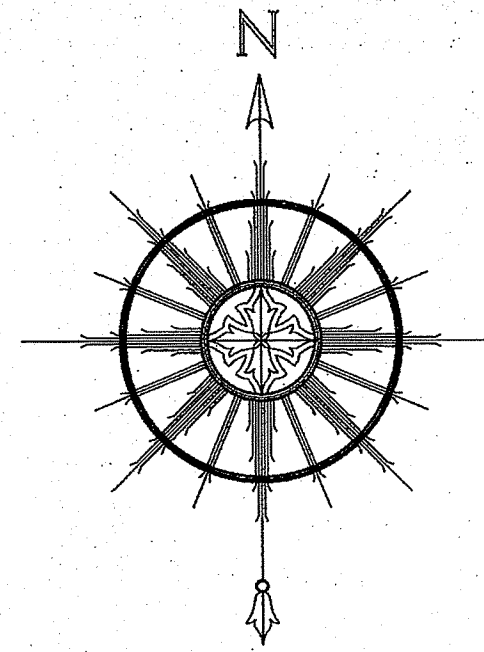
Issued for:  
PERMITTING

Drawing Title:  
**PROPOSED  
SOIL EROSION AND  
SEDIMENT CONTROL PLAN**

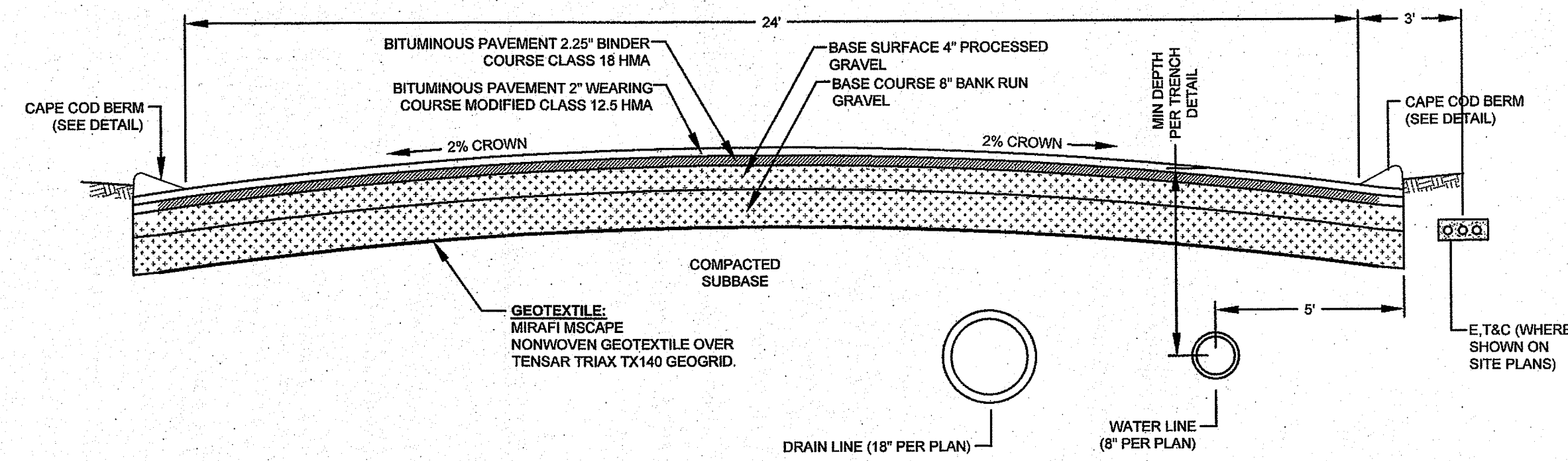
	Drawing Number:	C-7
	Sheet	7 of 11
	Project Number:	19187.0
	Survey Index:	- 120 - 68A & B

OWNERSHIP AND USE OF DOCUMENTS: DRAWINGS AND SPECIFICATIONS, AS INSTRUMENTS OF PROFESSIONAL SERVICE, ARE AND SHALL REMAIN THE PROPERTY OF THE ENGINEER. THESE DOCUMENTS ARE NOT TO BE USED, IN WHOLE OR PART, FOR ANY OTHER PROJECTS OR PURPOSES, OR BY ANY OTHER PARTIES, THAN THOSE PROPERLY AUTHORIZED BY CONTRACT, WITHOUT THE EXPRESS AUTHORIZATION OF THE ENGINEER.

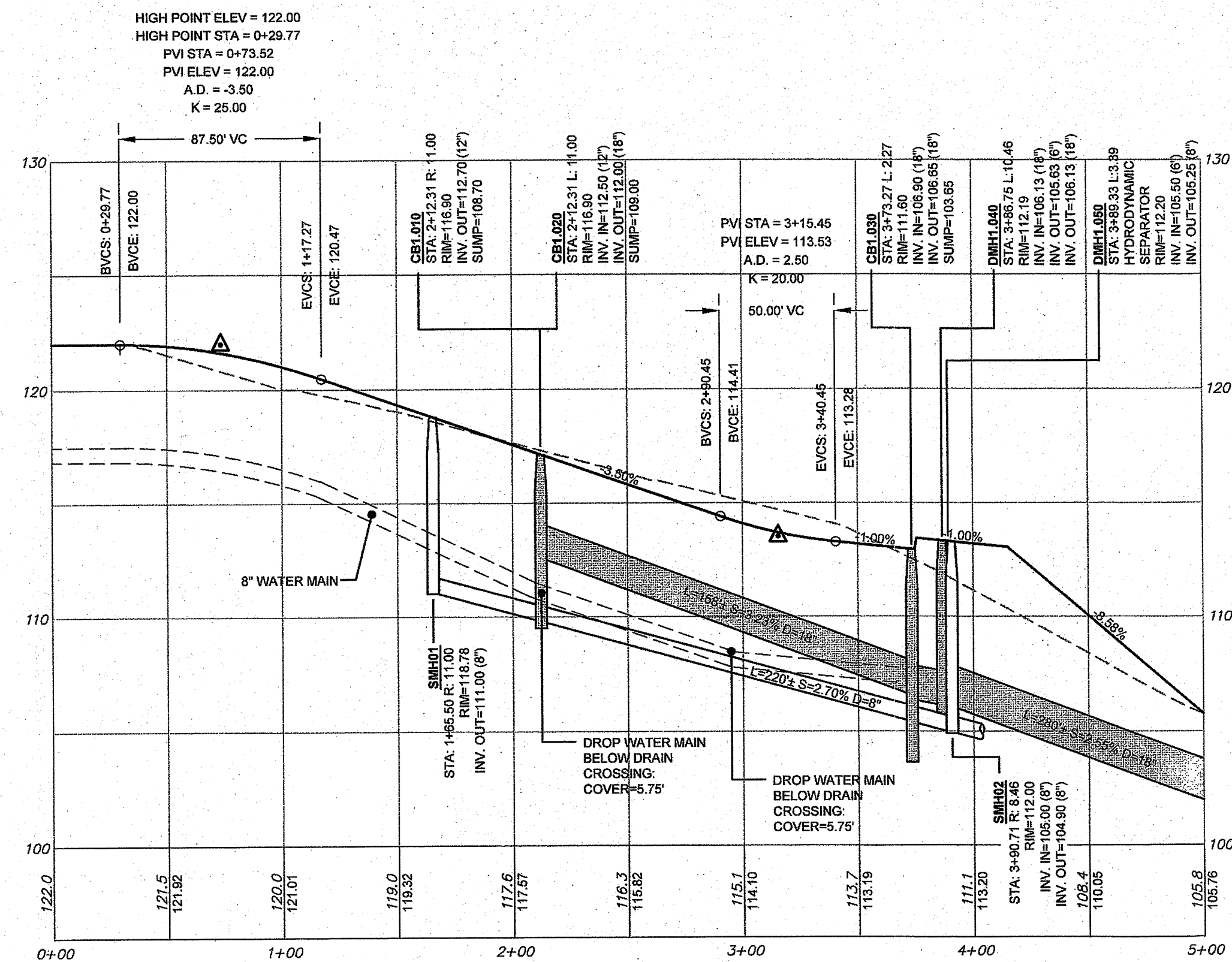




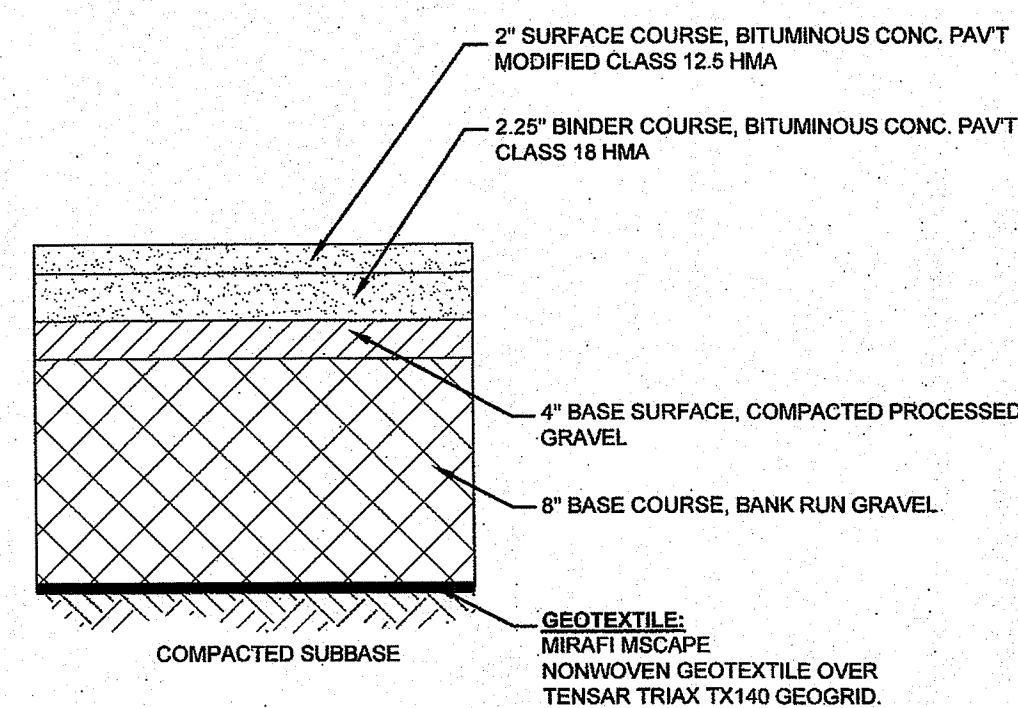
**RIGHT OF WAY PROFILE STA 0+00 - 5+00 (END)**  
 HORIZONTAL SCALE: 1"=50'  
 VERTICAL SCALE: 1"=5'



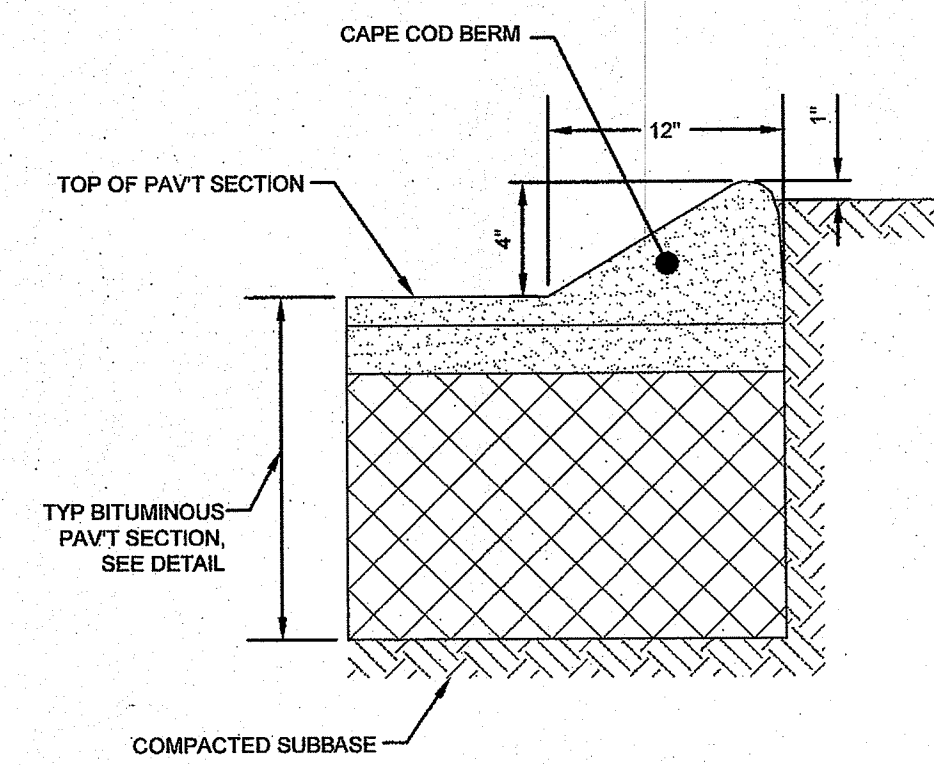
**ROAD SECTION STA 0+00 - 5+30 (END)**  
 SCALE: NOT TO SCALE



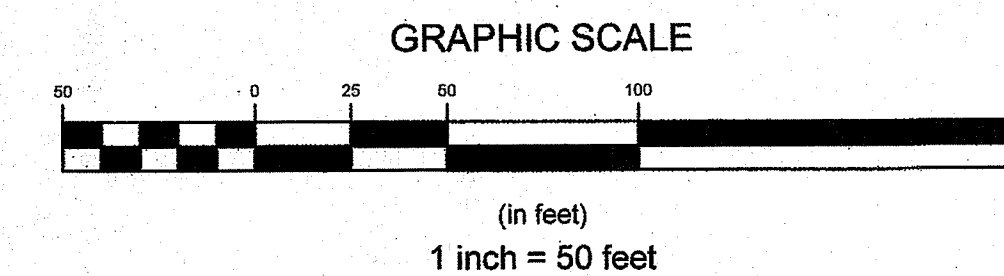
**RIGHT OF WAY PROFILE STA 0+00 - 5+00 (END)**  
 HORIZONTAL SCALE: 1"=50'  
 VERTICAL SCALE: 1"=5'



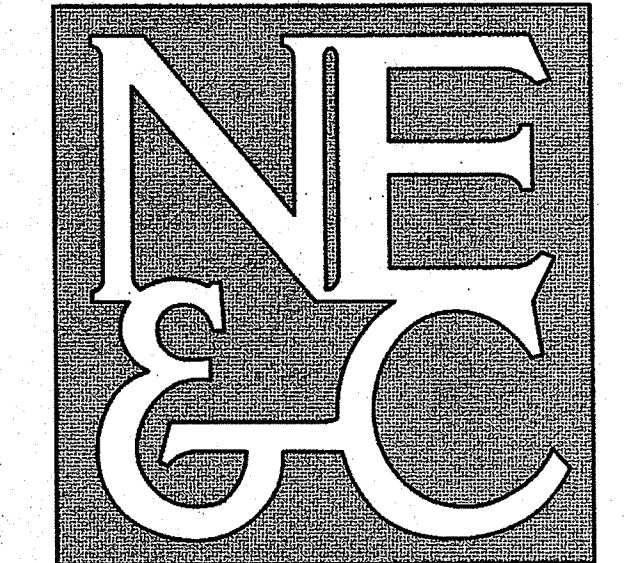
**TYPICAL BITUMINOUS PAVEMENT SECTION**  
 SCALE: NOT TO SCALE



**TYPICAL CAPE COD BERM**  
 SCALE: NOT TO SCALE



NORTHEAST ENGINEERS & CONSULTANTS, INC.



A KNOWLEDGE CORPORATION®

6 VALLEY ROAD MIDDLETOWN RHODE ISLAND 02842  
 PHONE (401) 849-0810 FAX (401) 846-4169  
 WWW.NORTHEASTENGINEERS.COM

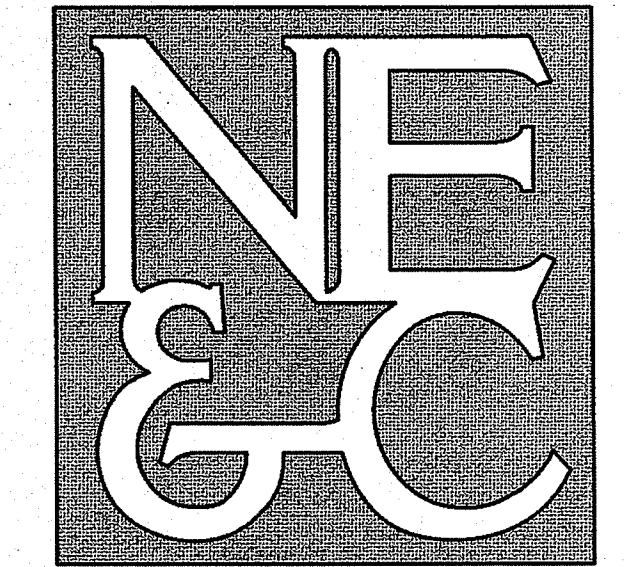
SITE/CIVIL  
 LAND PLANNING  
 WATERFRONT  
 SURVEYING  
 GEOTECHNICAL  
 ENVIRONMENTAL  
 TRANSPORTATION  
 STRUCTURAL

Environmental Management  
 FEB 23 2021  
 Office of Water Resources

DEPARTMENT OF ENVIRONMENTAL MANAGEMENT  
 OFFICE OF WATER RESOURCES  
 FRESHWATER WETLANDS PROGRAM  
 APPROVED WITH CONDITIONS  
 AS SPECIFIED IN THE LETTER OF APPROVAL  
 DATED MAR 10, 2021 FILE # 20-0279  
 NO CHANGES ALLOWED WITHOUT PRIOR APPROVAL  
 APPROVED PLANS MUST BE AT CONSTRUCTION SITE

*Emily L. Freeman*

No.	Revision	Date	App.		
Designed By:	JJR	Drawn by:	JJR	Checked by:	GES
Scale:	AS SHOWN	Date:	20NOV20		
Project Title: <b>CAMPOS SUBDIVISION</b> A.P. 120 LOTS 68-A & 68-B SERENITY DRIVE MIDDLETOWN RHODE ISLAND					
Client/Owner: MR. JUAN CAMPOS 162 BROADWAY, UNIT 1 NEWPORT, RI 02840					
Issued for: PERMITTING					
Drawing Title: <b>PROPOSED ROAD PROFILE</b>					
Drawing Number: <b>C-8</b>				Sheet <b>8</b> of <b>11</b>	
Project Number: <b>19187.0</b>				Survey Index: <b>- 120 - 68A &amp; B</b>	
<small>OWNERSHIP AND USE OF DOCUMENTS: DRAWINGS AND SPECIFICATIONS, AS INSTRUMENTS OF PROFESSIONAL SERVICE, ARE AND SHALL REMAIN THE PROPERTY OF THE ENGINEER. THESE DOCUMENTS ARE NOT TO BE USED, IN WHOLE OR PART, FOR ANY OTHER PROJECTS OR PURPOSES, OR BY ANY OTHER PARTIES, THAN THOSE PROPERLY AUTHORIZED BY CONTRACT, WITHOUT THE EXPRESS AUTHORIZATION OF THE ENGINEER.</small>					



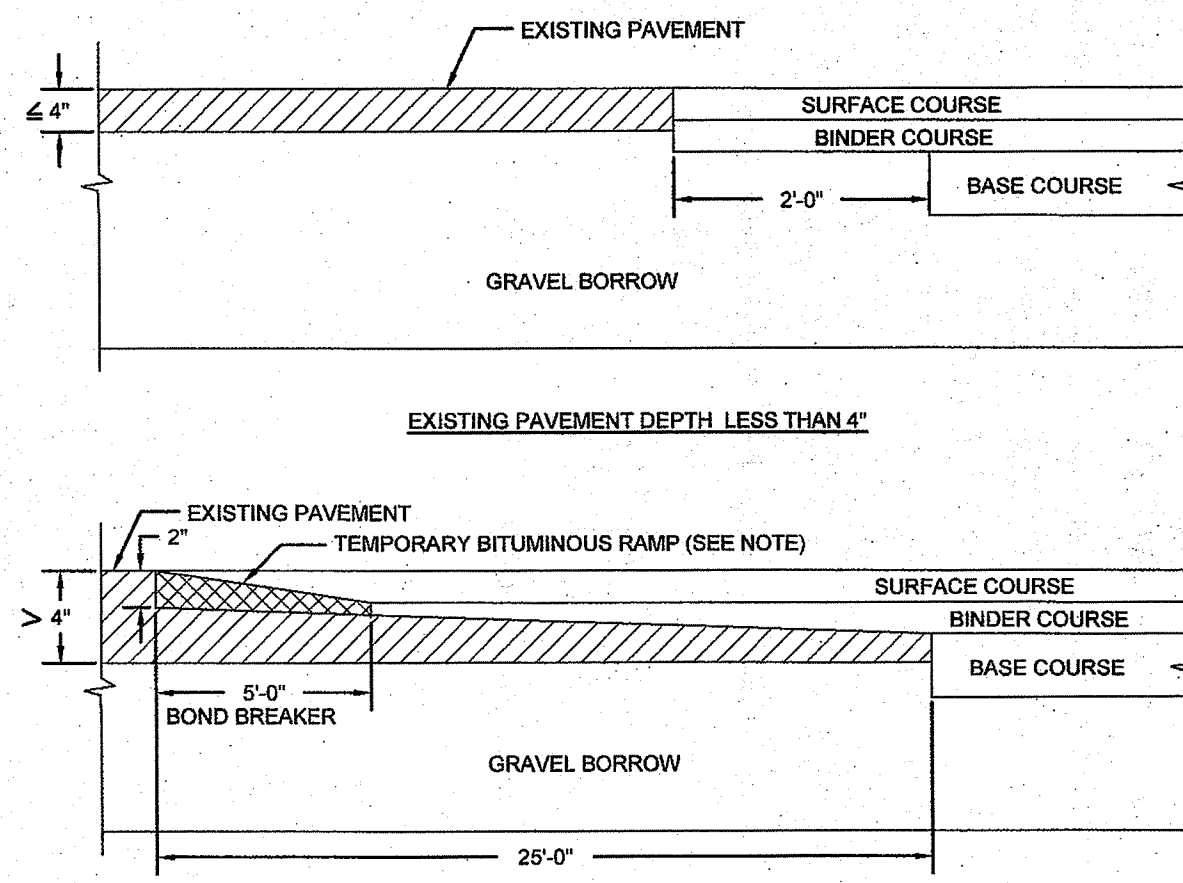
A KNOWLEDGE CORPORATION®

6 VALLEY ROAD MIDDLETOWN RHODE ISLAND 02842  
PHONE (401) 849-0810 FAX (401) 846-4169  
WWW.NORTHEASTENGINEERS.COM

SITE/CIVIL  
LAND PLANNING  
WATERFRONT  
SURVEYING  
GEOTECHNICAL  
ENVIRONMENTAL  
TRANSPORTATION  
STRUCTURAL

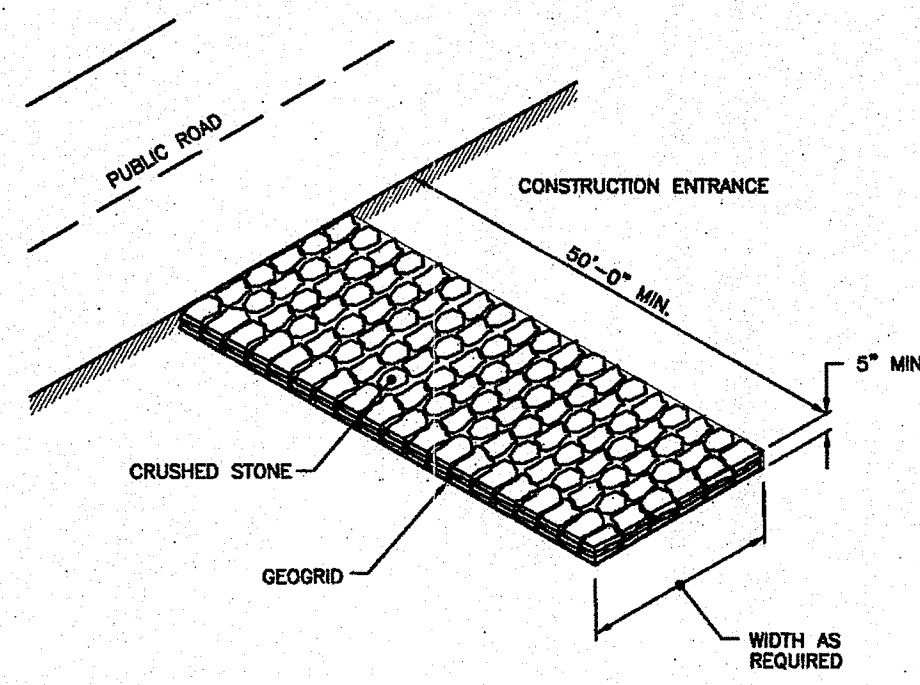
DEPARTMENT OF ENVIRONMENTAL MANAGEMENT  
OFFICE OF WATER RESOURCES  
FRESHWATER WETLANDS PROGRAM  
APPROVED WITH CONDITIONS  
AS SPECIFIED IN THE LETTER OF APPROVAL  
DATED MAY 10, 2021 FILE # 20-0279  
NO CHANGES ALLOWED WITHOUT PRIOR APPROVAL  
APPROVED PLANS MUST BE AT CONSTRUCTION SITE

*Nancy L. Freeman*



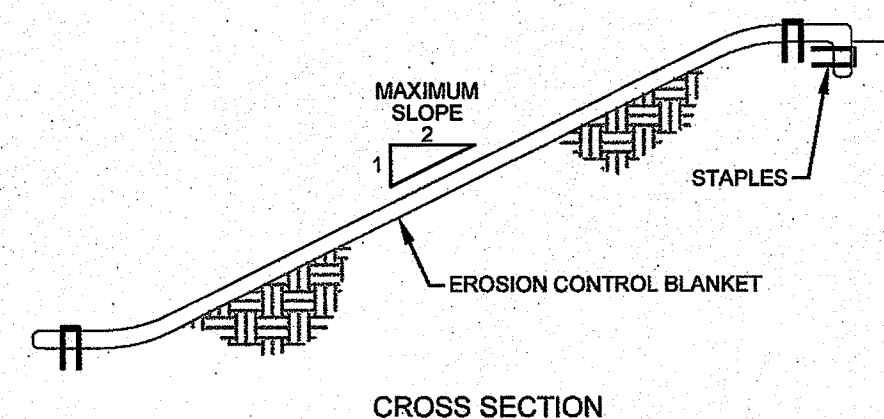
**NOTE:**  
A BOND BREAKER (TAPERED OR EQUIVALENT) WILL BE PLACED 5'-0" FROM THE JOINT AND COVERED WITH THE BINDER COURSE AS THE TEMPORARY RAMP. PRIOR TO THE SURFACE COURSE, THE BINDER COURSE AND BOND BREAKER WILL BE REMOVED.

**TYPICAL CUT AND MATCH PAVEMENT DETAIL (RIDOT 47.1.1)**  
SCALE: NOT TO SCALE



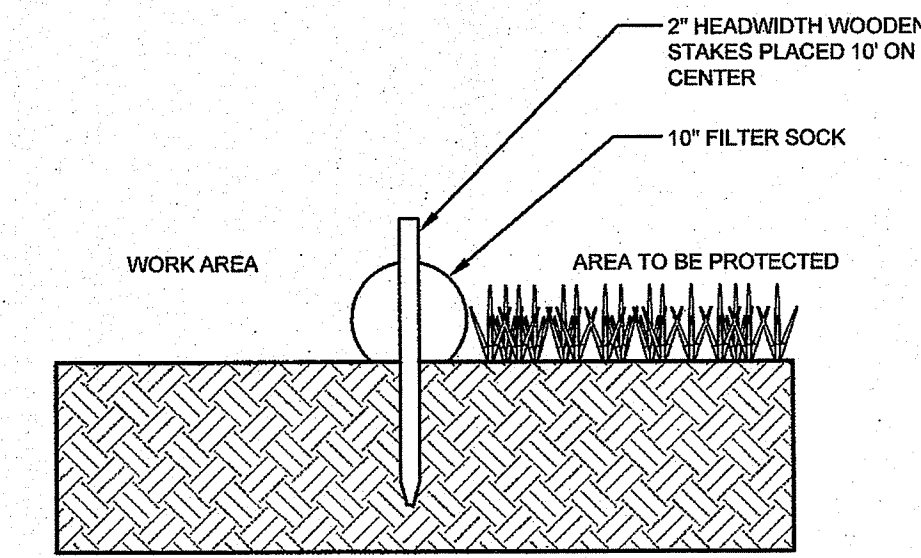
**NOTE:**  
SHALL BE IN ACCORDANCE WITH SECTION 211 OF THE R.I. STANDARD SPECIFICATIONS.

**STONE CONSTRUCTION ACCESS (RIDOT 9.9.0)**  
SCALE: NOT TO SCALE

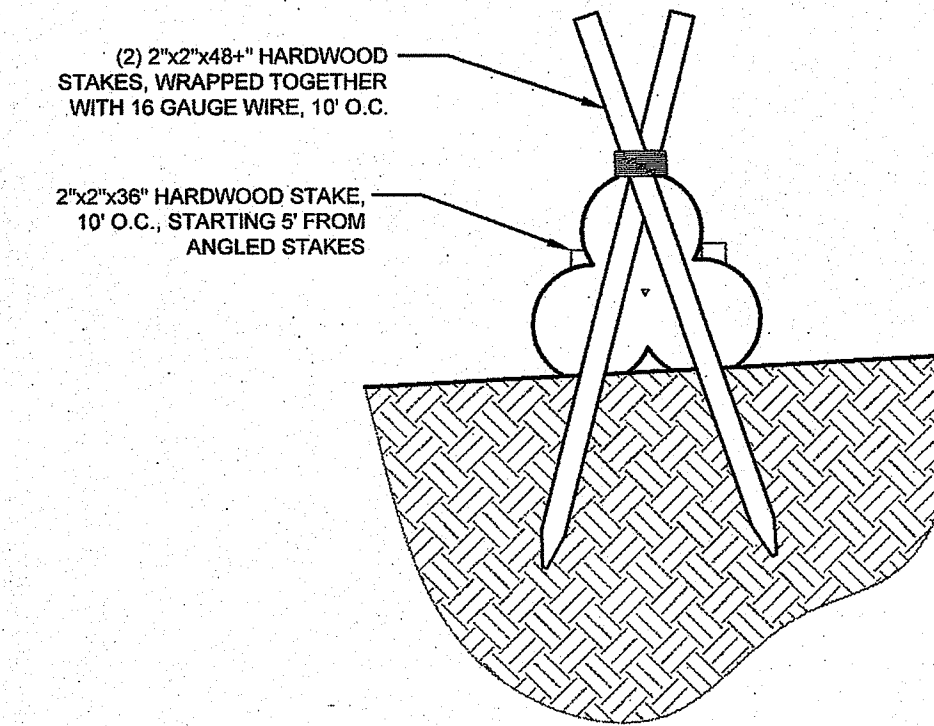


**NOTES:**  
1. PREPARE SOIL BEFORE INSTALLING BLANKETS, INCLUDING APPLICATION OF LIME, FERTILIZER, AND SEED.  
2. ANCHORING THE BLANKET IN A 6" DEEP X 6" WIDE TRENCH. BACKFILL AND COMPACT THE TRENCH AFTER STAPLING.  
3. ROLL THE BLANKETS DOWN THE SLOPE IN THE DIRECTION OF THE WATER FLOW.  
4. THE EDGES OF PARALLEL BLANKETS MUST BE STAPLED WITH APPROXIMATELY 2" OVERLAP.  
5. WHEN BLANKETS MUST BE SPLICED DOWN THE SLOPE, PLACE BLANKETS END OVER END (SHINGLE STYLE) WITH APPROXIMATELY 6" OVERLAP. STAPLE THROUGH OVERLAPPED AREA, APPROXIMATELY 12" APART.

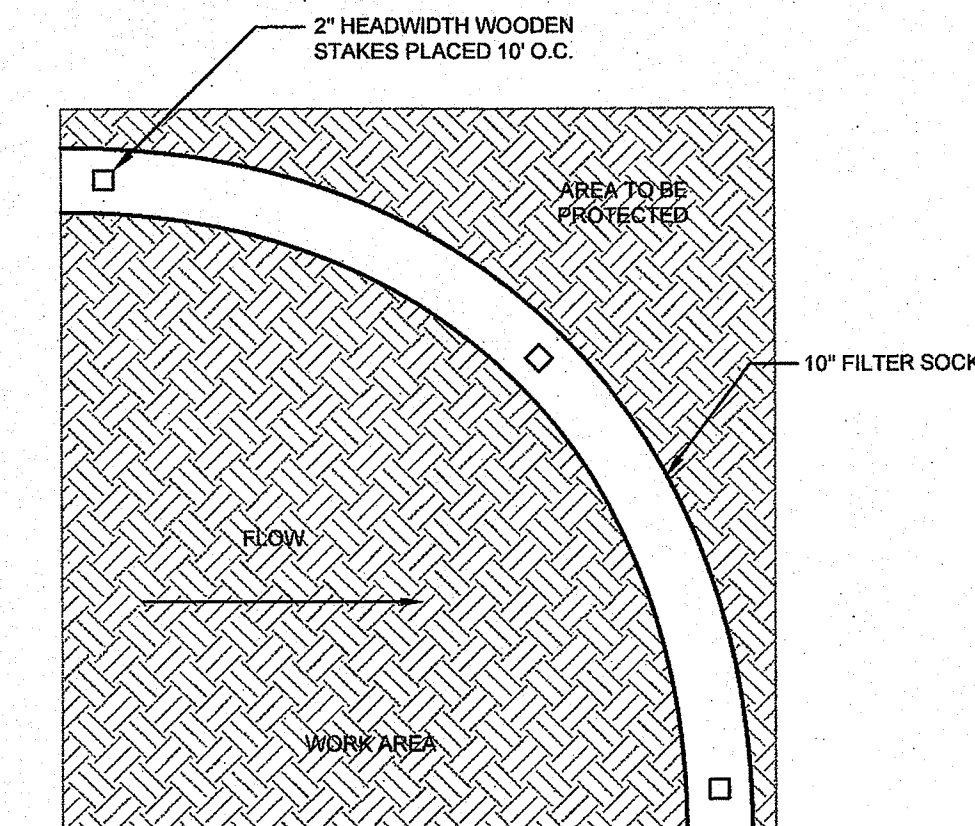
**EROSION CONTROL BLANKET**  
SCALE: NOT TO SCALE



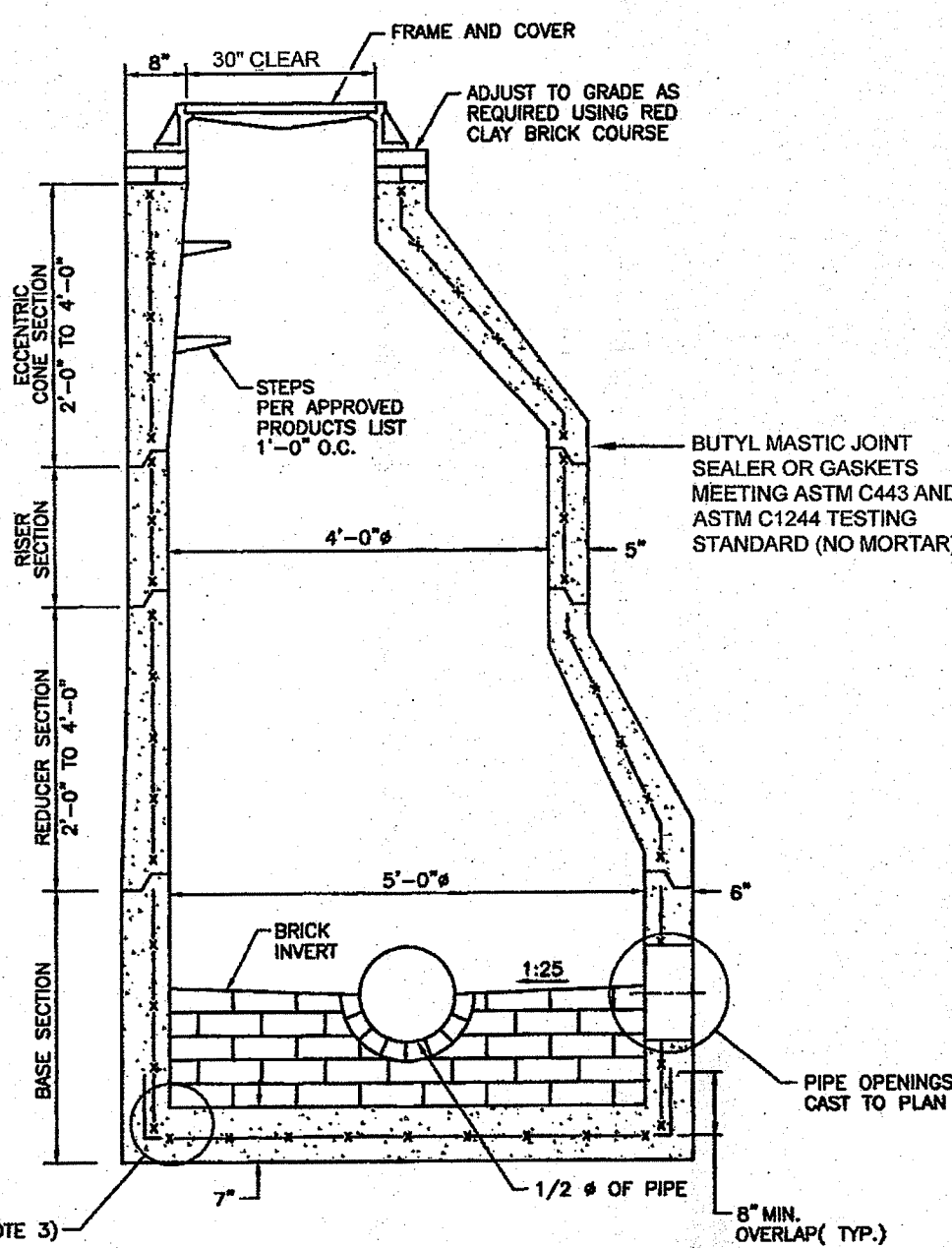
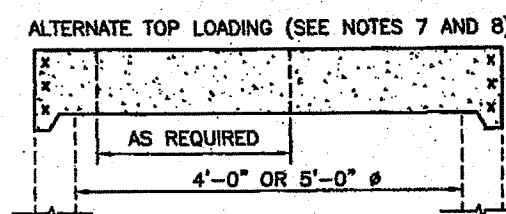
**SECTION VIEW**



**PYRAMID SECTION VIEW (FOR HIGH FLOW CONDITIONS)**

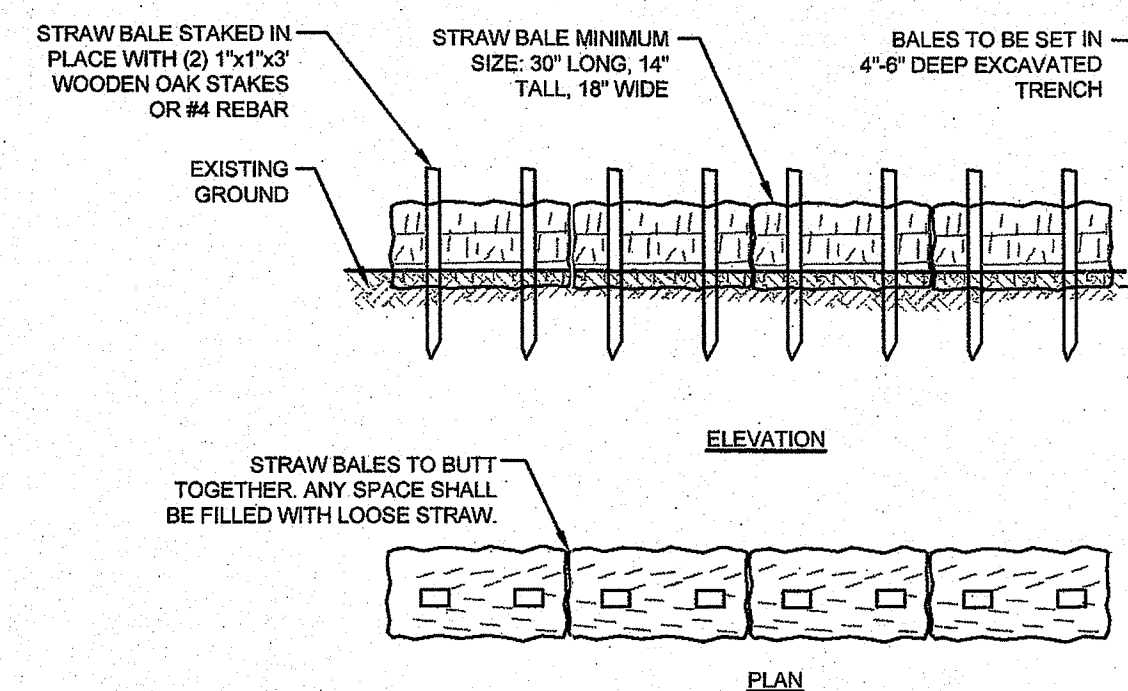


**10" FILTER SOCK DETAIL**  
SCALE: NOT TO SCALE



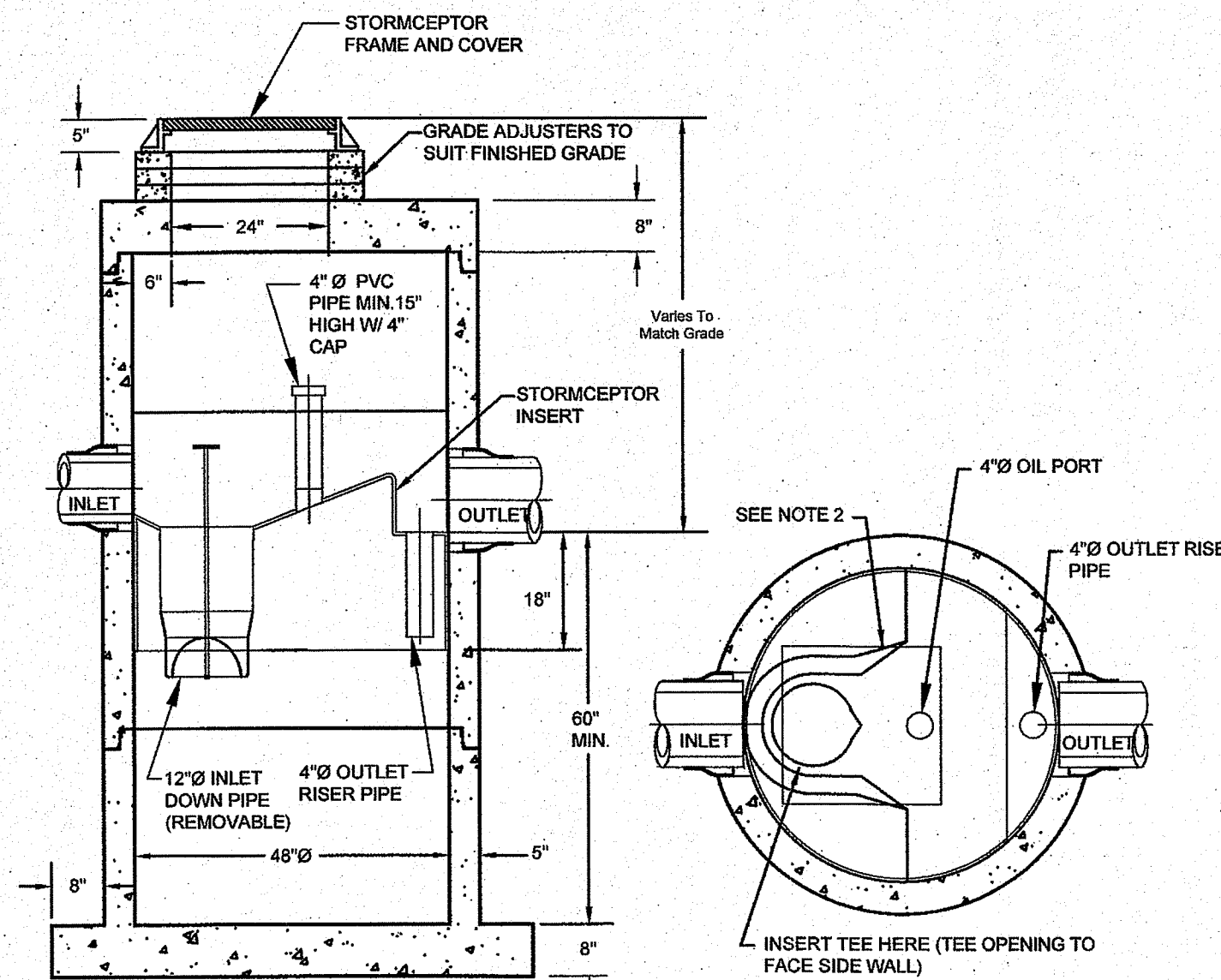
**NOTES:**  
1. SHALL BE IN ACCORDANCE WITH SECTION 702 OF THE R.I. STANDARD SPECIFICATIONS.  
2. CIRCUMFERENTIAL STEEL REINFORCEMENT REQUIRED = 0.15 SQ. IN./LIN. FT. MINIMUM.  
3. STEEL REINFORCEMENT FOR BASE SECTION BOTTOM SHALL BE A MINIMUM OF 0.12 SQ. IN./LIN. FT. (BOTH WAYS).  
4. ONE FOUR MONOLITHIC BASE SECTION.  
5. ANY NECESSARY ADJUSTMENTS DURING CONSTRUCTION WILL BE DONE BY SAW-CUTTING AND/OR CORING ONLY. NO JACKHAMMERS, HAMMERS AND CHISELS OR PNEUMATIC TOOLS WILL BE ALLOWED.  
6. STEPS SHALL CONFORM TO STD. S.3.0 AND SHALL BE INSTALLED AT THE CASTING PLANT.  
7. ALTERNATE TOP SLAB IS STEEL REINFORCED TO MEET OR EXCEED H-25 LOADING (SEE STD. 4.7.0).  
8. ALTERNATE TOP SLAB IS ONLY FOR USE WHEN REDUCING SECTION DOES NOT FIT BECAUSE OF STRUCTURE DEPTH.  
9. REFER TO STD. S.2.0 FOR MAXIMUM PIPE SIZES.

**PRECAST CONCRETE SEWER MANHOLE (RIDOT 4.2.1)**  
SCALE: NOT TO SCALE



**NOTES:**  
1. BALE WEIGHT SHALL NOT BE LESS THAN 50 LBS AND SHALL BE BOUND WITH NO LESS THAN TWO STRINGS OR WIRES CONTAINING A MINIMUM OF FIVE (5) CUBIC FEET OF MATERIAL. MINIMUM DIMENSIONS SHOWN IN DETAIL.  
2. STRAW BALES SHALL BE CERTIFIED AS BEING NOXIOUS WEED-FREE BALES. TO BE "CERTIFIED" MEANS THAT THE PRODUCT IS FREE OF ANY NOXIOUS WEEDS.  
3. STAKES SHALL BE DRIVEN THROUGH STAKES AT A SLIGHT UPSTREAM ANGLE TO PREVENT BALE FROM OVERTURNING.  
4. LOOSE STRAW SHALL BE WEDGED BETWEEN BALES AFTER INSTALLATION.  
5. MATERIAL EXCAVATED FROM TRENCH SHALL BE BACKFILLED, COMPACTED, AND STABILIZED.

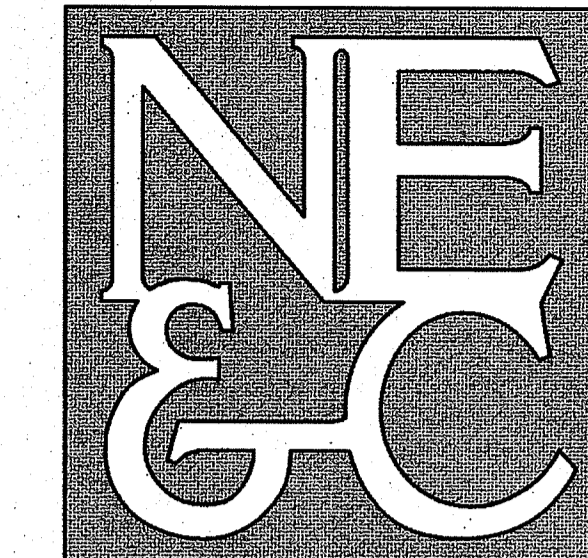
**BALED STRAW EROSION CONTROL BARRIER**  
SCALE: NOT TO SCALE



**NOTES:**  
1. THE USE OF FLEXIBLE CONNECTION IS RECOMMENDED AT THE INLET AND OUTLET WHERE APPLICABLE.  
2. THE COVER SHOULD BE POSITIONED OVER THE INLET DROP PIPE AND THE OIL PORT.  
3. THE STORMCEPTOR SYSTEM IS PROTECTED BY ONE OR MORE OF THE FOLLOWING U.S. PATENTS: #4985148, #5498331, #5725780, #5753115, #5849181, #6068765, #6371690.

**STC 450i PRECAST CONCRETE STORMCEPTER**  
(450 U.S. GALLON CAPACITY)  
SCALE: NOT TO SCALE

No.	Revision	Date	App.
Designed By:	JJR	Drawn by:	JJR
Scale:	AS SHOWN	Date:	20NOV20
Checked by:	GES		
Project Title:			
<b>CAMPOS SUBDIVISION</b>			
A.P. 120 LOTS 68-A & 68-B			
SERENITY DRIVE MIDDLETOWN RHODE ISLAND			
Client/Owner:			
MR. JUAN CAMPOS 162 BROADWAY, UNIT 1 NEWPORT, RI 02840			
Issued for:			
PERMITTING			
Drawing Title:			
<b>SITE DETAILS</b>			
Drawing Number:		<b>C-9</b>	
Sheet		9 of 11	
Project Number:		19187.0	
Survey Index:		- 120 - 68A & B	
OWNERSHIP AND USE OF DOCUMENTS: DRAWINGS AND SPECIFICATIONS, AS INSTRUMENTS OF PROFESSIONAL SERVICE, ARE AND SHALL REMAIN THE PROPERTY OF THE ENGINEER. THESE DOCUMENTS ARE NOT TO BE USED, IN WHOLE OR PART, FOR ANY OTHER PROJECTS OR PURPOSES, OR BY ANY OTHER PARTIES, THAN THOSE PROPERLY AUTHORIZED BY CONTRACT, WITHOUT THE EXPRESS AUTHORIZATION OF THE ENGINEER.			



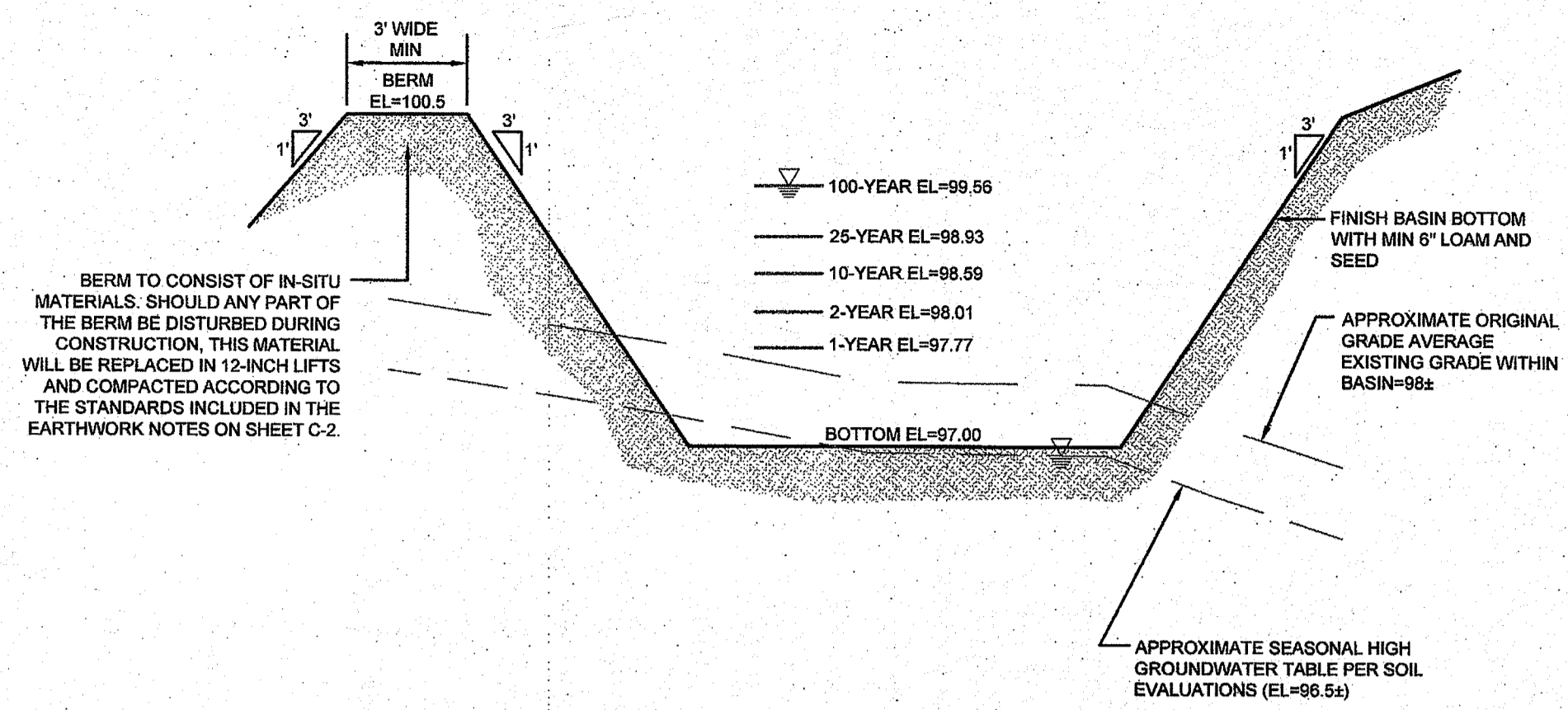
A KNOWLEDGE CORPORATION®

6 VALLEY ROAD MIDDLETOWN RHODE ISLAND 02842  
PHONE (401) 849-0810 FAX (401) 846-4169  
WWW.NORTHEASTENGINEERS.COM

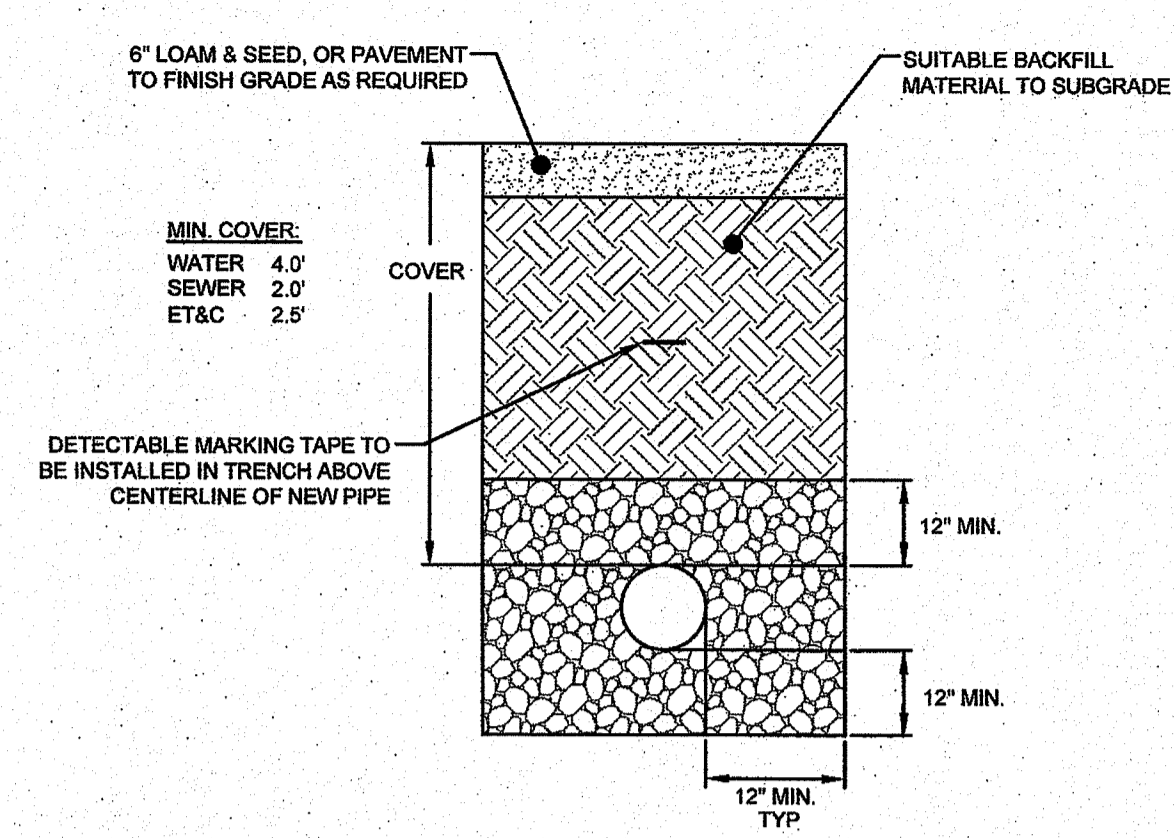
FEB 23 2021  
Office of Water Resources

DEPARTMENT OF ENVIRONMENTAL MANAGEMENT  
OFFICE OF WATER RESOURCES  
FRESHWATER WETLANDS PROGRAM  
APPROVED WITH CONDITIONS  
AS SPECIFIED IN THE LETTER OF APPROVAL  
DATED Mar 10, 2021 FILE # 20-0279  
NO CHANGES ALLOWED WITHOUT PRIOR APPROVAL  
APPROVED PLANS MUST BE AT CONSTRUCTION SITE

*Nancy L. Freeman*

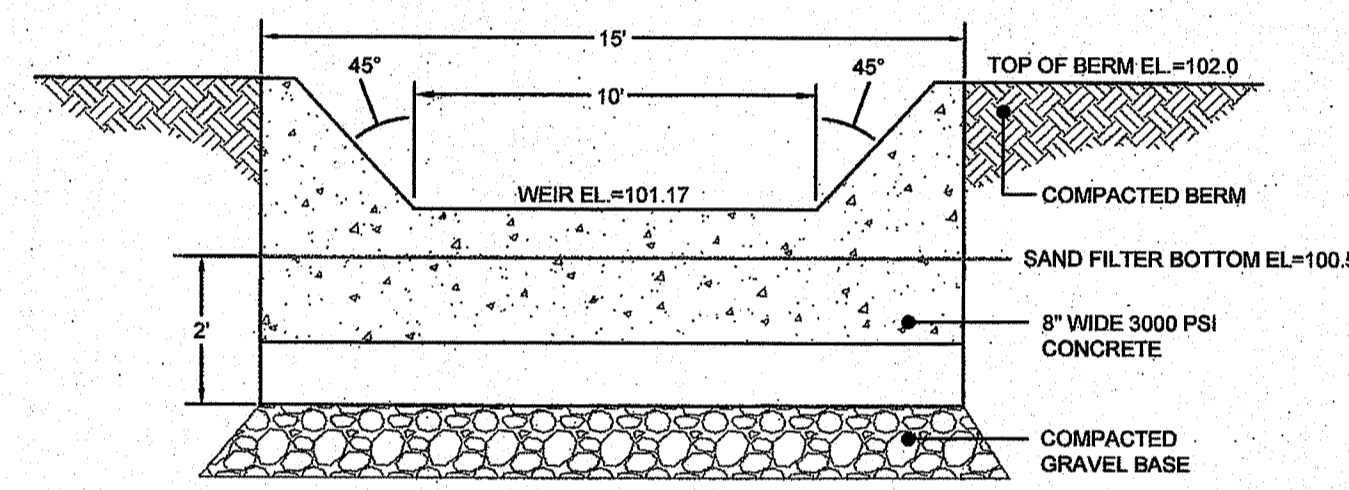


**DETENTION BASIN SECTION**  
SCALE: NOT TO SCALE

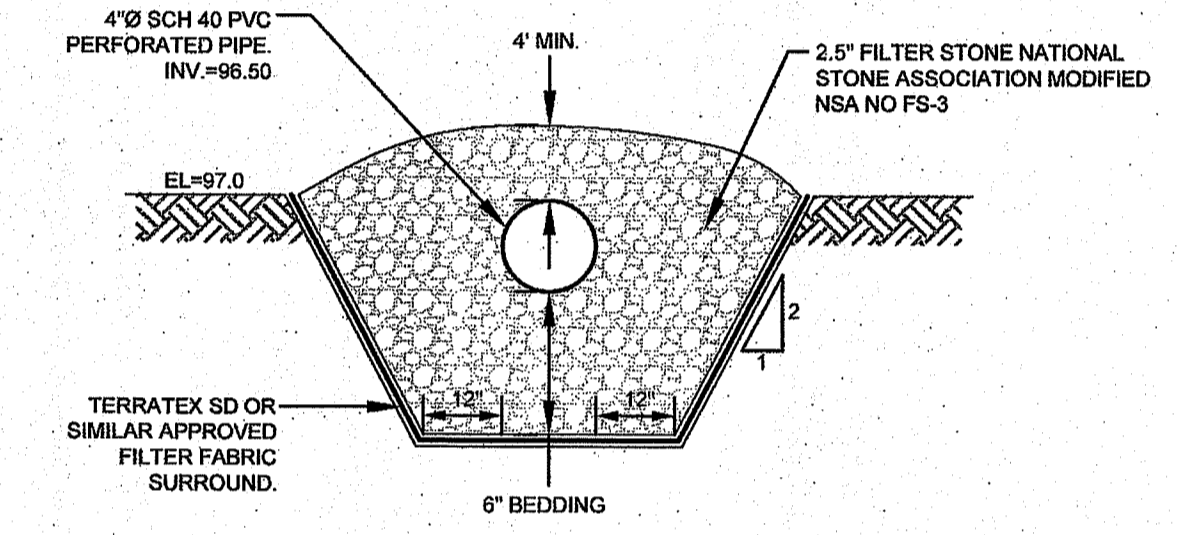


**UTILITY TRENCH DETAIL**  
SCALE: NOT TO SCALE

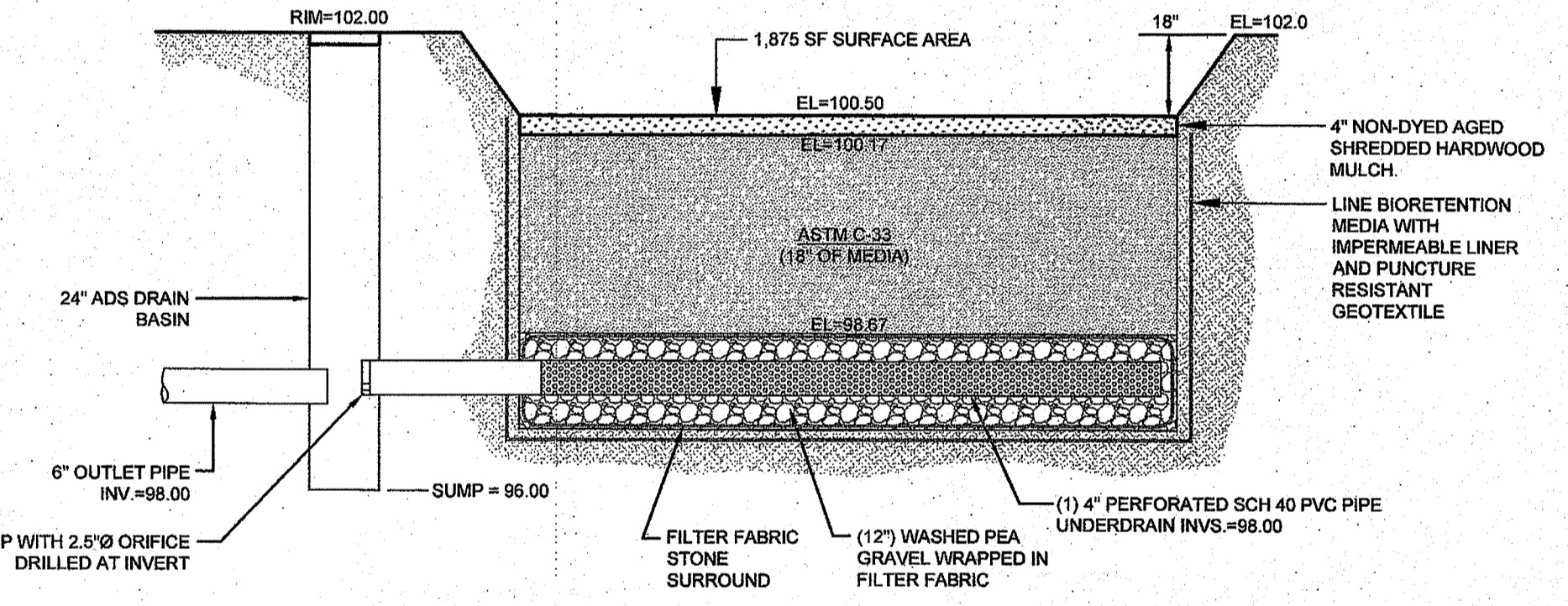
- TRENCH NOTES:**
- UNSUITABLE MATERIAL SHALL BE EXCAVATED TO A MINIMUM DEPTH OF 12-INCHES BELOW THE DESIGN INVERT ELEVATION.
  - TRENCH PROTECTION SHALL BE REQUIRED IN ACCORDANCE WITH OSHA REGULATIONS, AND AS OTHERWISE REQUIRED TO PROTECT UTILITIES, ROADWAYS, AND ADJACENT STRUCTURES.
  - SEWER AND DRAIN PIPES SHALL BE LAID BEGINNING AT THE DOWNSTREAM END OF THE PIPE LINE.
  - ALL PVC SEWER PIPES SHALL BE IPEX RING-TITE SDR 35, OR SIMILAR APPROVED.
  - ALL DRAIN PIPES SHALL BE ADS N-12 TYPE (IB SOILTIGHT) UNLESS OTHERWISE INDICATED.
  - ALL SEWER PIPE AND GASKETS SHALL CONFORM TO ASTM 3034 AND ASTM F879.
  - BACKFILL MATERIAL SHALL BE PLACED IN LAYERS NOT TO EXCEED 12" IN HEIGHT WHEN INSTALLED UNDER LANDSCAPED AREAS ONLY. INSTALLATIONS UNDER PAVEMENT REQUIRE BACKFILL MATERIAL TO BE PLACED IN LAYERS NOT TO EXCEED 6" IN HEIGHT. THESE LAYERS SHALL BE COMPACTED TO 95% MAXIMUM DENSITY (AASHTO T100). SUITABLE BACKFILL SHALL BE FREE OF LOAM, CLAY, ORGANIC MATTER AND PARTICLES LARGER THAN 2 INCHES IN DIAMETER.
  - SEWER AND DRAINAGE PIPE TRENCHES SHALL BE BEDDED WITH CRUSHED STONE OR SCREENED GRAVEL. THESE MATERIALS MUST CONFORM TO RIDOT STANDARD M.01.09 TYPE II MATERIAL.
  - WATER PIPE TRENCHES MUST BE BEDDED WITH SAND CONTAINING NO PARTICLES LARGER THAN 3/8". THIS MATERIAL MUST CONFORM TO AASHTO M6 REQUIREMENTS.
  - UTILITY INSTALLATIONS SHALL CONFORM TO ALL REQUIREMENTS OF THE TOWN OF MIDDLETOWN PUBLIC WORKS DEPARTMENT.
  - WHEN TRENCH EXCAVATION IS ADJACENT TO OR UNDER EXISTING STRUCTURES OR FACILITIES, THE CONTRACTOR SHALL BE RESPONSIBLE FOR PROPERLY SHEETING AND BRACING THE EXCAVATION AND STABILIZING THE EXISTING GROUND TO RENDER IT SAFE AND SECURE FROM POSSIBLE SLIDES, CAVE-INS AND SETTLEMENT AND FOR PROPERLY SUPPORTING EXISTING STRUCTURES AND FACILITIES WITH BEAMS, STRUTS OR UNDERPINNING TO FULLY PROTECT THEM FROM DAMAGE.



**SAND FILTER CONCRETE WEIR DETAIL**  
SCALE: NOT TO SCALE

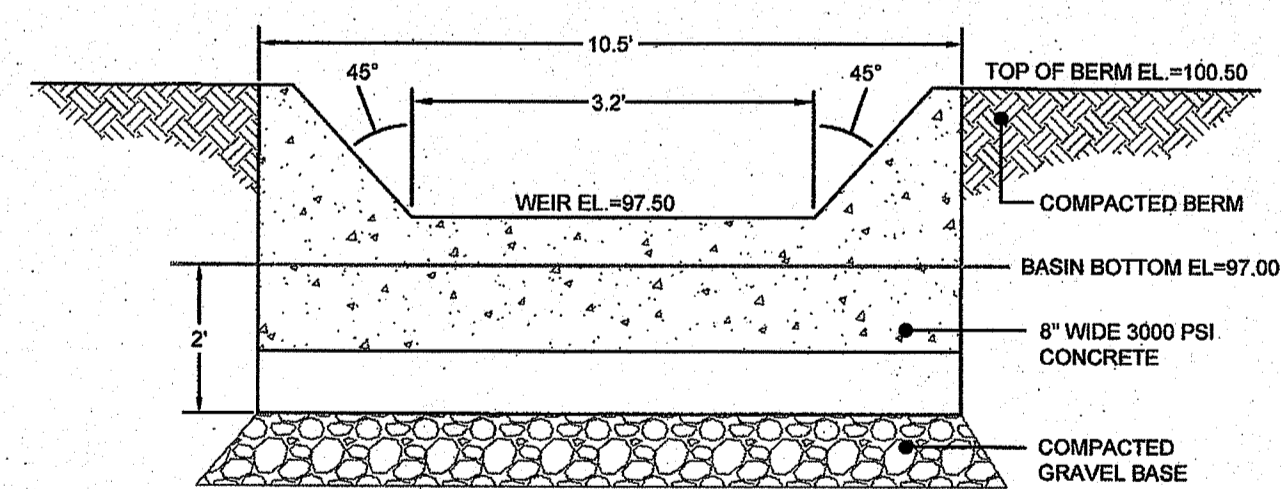


**DETENTION BASIN DRAIN CROSS SECTION**  
SCALE: NOT TO SCALE

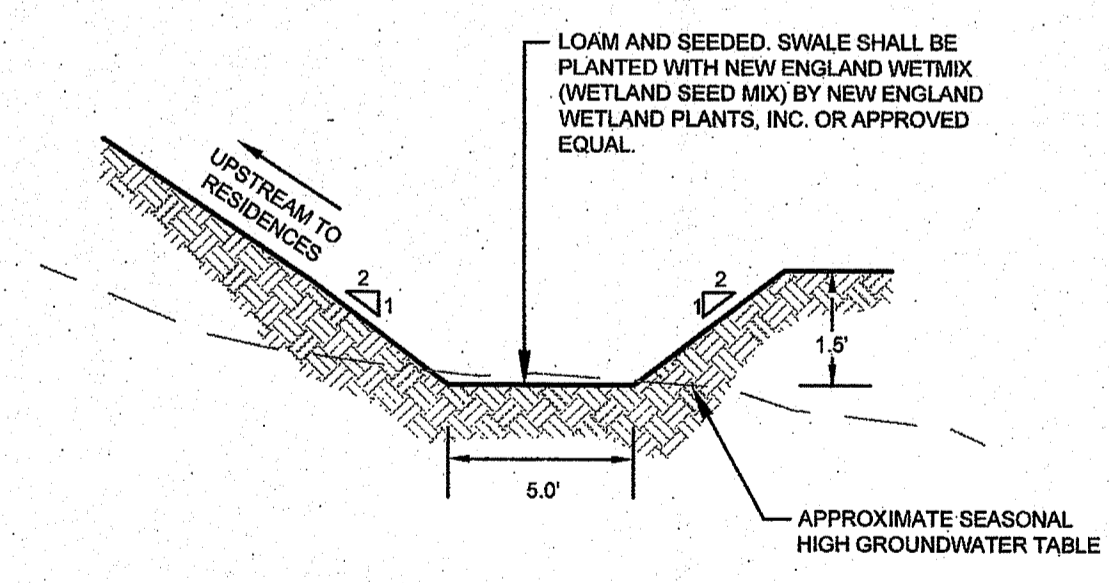


**SAND FILTER WITH UNDERDRAIN CROSS SECTION**  
SCALE: NOT TO SCALE

- SAND FILTER NOTES:**
- SAND FILTER SHALL BE PLANTED WITH NEW ENGLAND WETMIX (WETLAND SEED MIX) BY NEW ENGLAND WETLAND PLANTS, INC. OR APPROVED EQUAL.
  - SAND FILTER SAND TO BE CLEAN AASHTO M-6 OR ASTM C-33 CONCRETE SAND (0.02" TO 0.04"). SAND SUBSTITUTIONS SUCH AS DIABASE AND GRAYSTONE #10 ARE NOT ACCEPTABLE. NO CALCIUM CARBONATED OR DOLOMITIC SAND SUBSTITUTIONS ARE ACCEPTABLE. NO ROCK DUST CAN BE USED AS SAND.
  - UNDERDRAIN GRAVEL SHALL CONFORM TO AASHTO M-43, 0.25" TO 0.75". MATERIAL MUST BE WASHED CLEAN GRAVEL.
  - UNDERDRAIN SHALL BE SCHEDULE 40 PVC PIPE CONFORMING TO ASTM D-1785 OR AASHTO M-278. PERFORATIONS SHALL BE 3/8" @ 6" ON CENTER. PIPE SHALL HAVE 3" OF GRAVEL OVER PIPE. PIPE TO BE WRAPPED IN GEOTEXTILE FABRIC CONFORMING TO FLOWRATE INDICATED IN NOTE 5.
  - IMPERMEABLE LINER MAY BE ONE OF THE FOLLOWING: (A) MIN. OF 6 INCHES OF CLAYSIL (MINIMUM 15% PASSING THE #200 SIEVE AND A MAXIMUM PERMEABILITY OF 1 X 10<sup>-5</sup> CM/SEC), (B) A 30 MIL POLY-LINER (C) BENTONITE



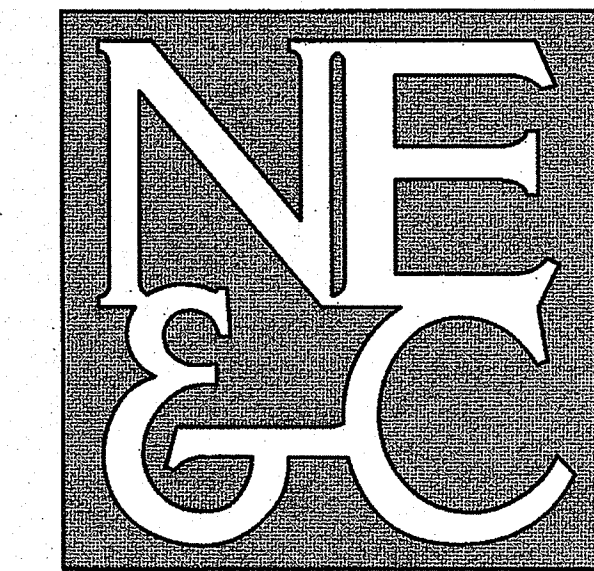
**DETENTION BASIN CONCRETE WEIR DETAIL**  
SCALE: NOT TO SCALE



**VEGETATED (WET) SWALE CROSS SECTION**  
SCALE: NOT TO SCALE

WET SWALES TO BE CONSTRUCTED DOWNSTREAM OF RESIDENCES AS SHOWN ON SITES PLANS.

1	RIDEM REVISIONS	17FEB21	
No.	Revision	Date	App.
Designed By:	JJR	Drawn by:	JJR
Checked by:	GES	Date:	20NOV20
Scale:	AS SHOWN	Date:	20NOV20
Project Title:			
<b>CAMPOS SUBDIVISION</b>			
A.P. 120 LOTS 68-A & 68-B			
SERENITY DRIVE MIDDLETOWN RHODE ISLAND			
Client/Owner:			
MR. JUAN CAMPOS 162 BROADWAY, UNIT 1 NEWPORT, RI 02840			
Issued for:			
PERMITTING			
Drawing Title:			
<b>SITE DETAILS</b>			
Drawing Number:		C-10	
Sheet		10 of 11	
Project Number:		19187.0	
Survey Index:		- 120 - 68A & B	
OWNERSHIP AND USE OF DOCUMENTS: DRAWINGS AND SPECIFICATIONS, AS INSTRUMENTS OF PROFESSIONAL SERVICE, ARE AND SHALL REMAIN THE PROPERTY OF THE ENGINEER. THESE DOCUMENTS ARE NOT TO BE USED, IN WHOLE OR PART, FOR ANY OTHER PROJECTS OR PURPOSES, OR BY ANY OTHER PARTIES, THAN THOSE PROPERLY AUTHORIZED BY CONTRACT, WITHOUT THE EXPRESS AUTHORIZATION OF THE ENGINEER.			



A KNOWLEDGE CORPORATION®

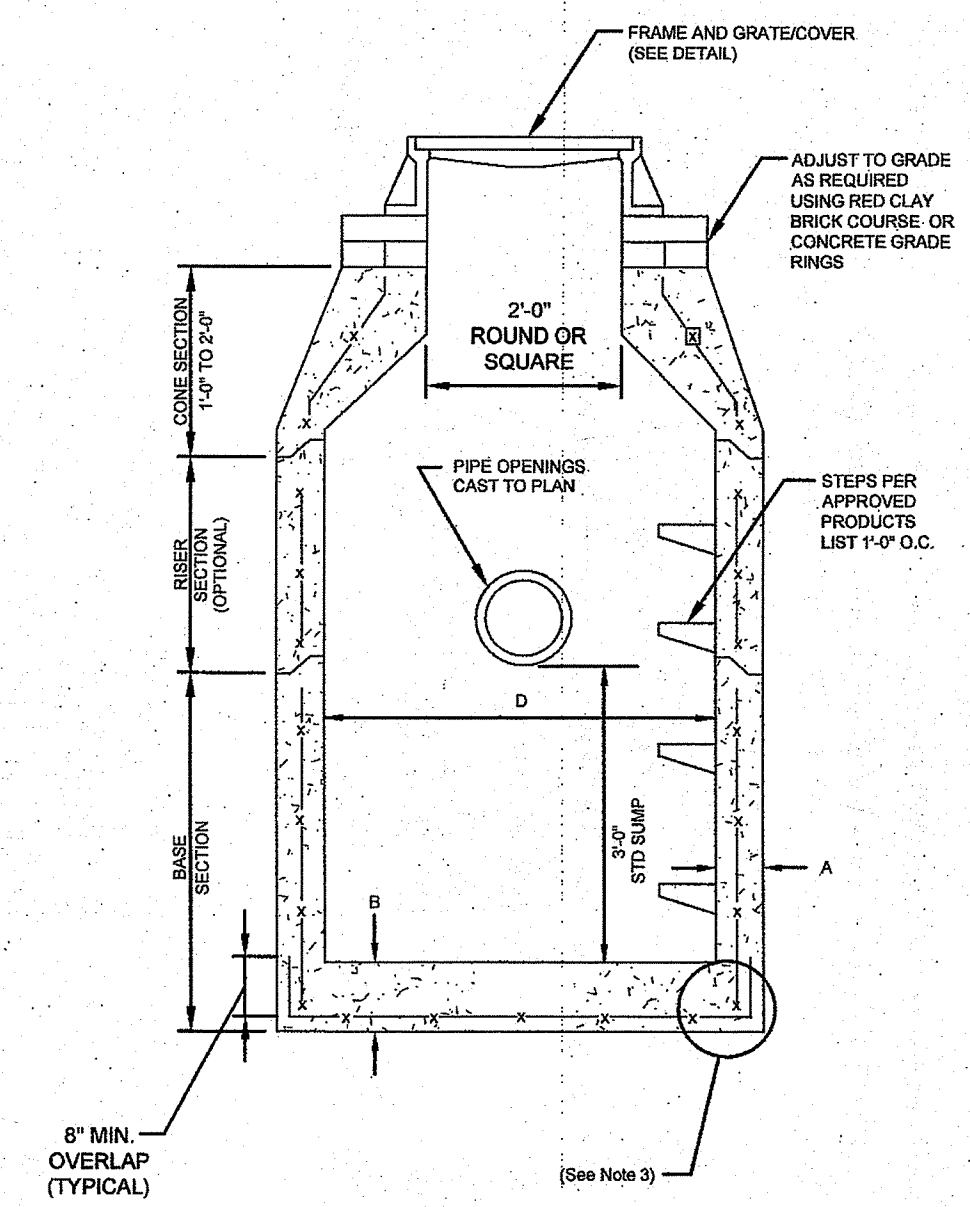
6 VALLEY ROAD MIDDLETOWN RHODE ISLAND 02842  
PHONE (401) 849-0810 FAX (401) 846-4169  
WWW.NORTHEASTENGINEERS.COM

SITE/CIVIL  
LAND PLANNING  
WATERFRONT  
SURVEYING  
GEOTECHNICAL  
ENVIRONMENTAL  
TRANSPORTATION  
STRUCTURAL

Environment...  
FEB 23 2021  
Office of Water Resources

DEPARTMENT OF ENVIRONMENTAL MANAGEMENT  
OFFICE OF WATER RESOURCES  
FRESHWATER WETLANDS PROGRAM  
APPROVED WITH CONDITIONS  
AS SPECIFIED IN THE LETTER OF APPROVAL  
DATED Mar 10, 2021 FILE # 20-0279  
NO CHANGES ALLOWED WITHOUT PRIOR APPROVAL  
APPROVED PLANS MUST BE AT CONSTRUCTION SITE

*Handwritten signature: Nancy L. Freeman*



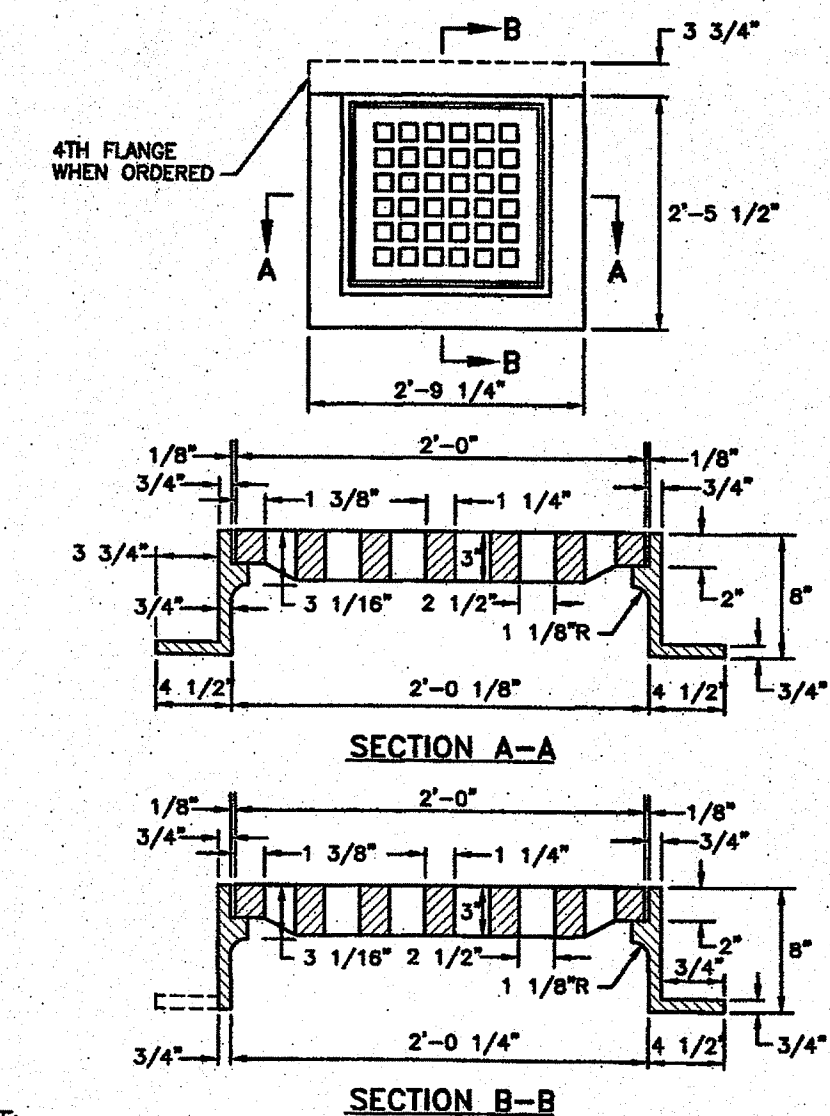
ALTERNATIVE TOP SLAB  
(See Notes 9 & 10)

CATCH BASIN DIAMETER (D)	AS REQUIRED		CIRCUMFERENTIAL STEEL REINFORCEMENT REQUIRED*
	A	B	
4'-0"	5"	6"	0.12 SQ. IN./LIN. FT.
6'-0"	6"	7"	0.15 SQ. IN./LIN. FT.
8'-0"	7"	8"	0.18 SQ. IN./LIN. FT.
10'-0"	9"	8"	REFER TO MANUFACTURER

\* FOR LONGITUDINAL (VERTICAL STANDING) REINFORCEMENT REFER TO ASTM A078, ITEM 8.1.2

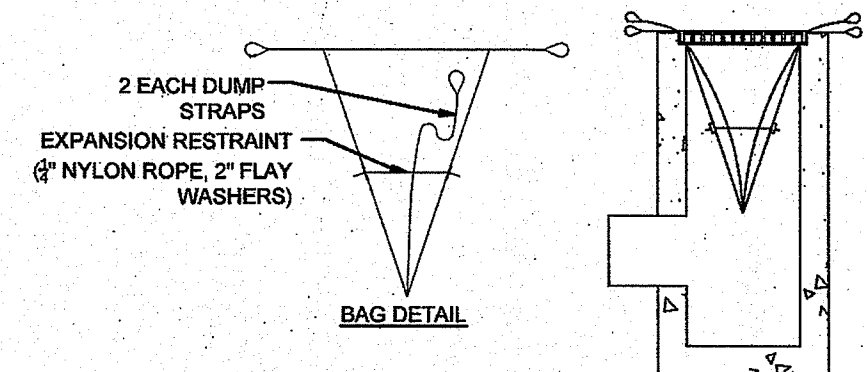
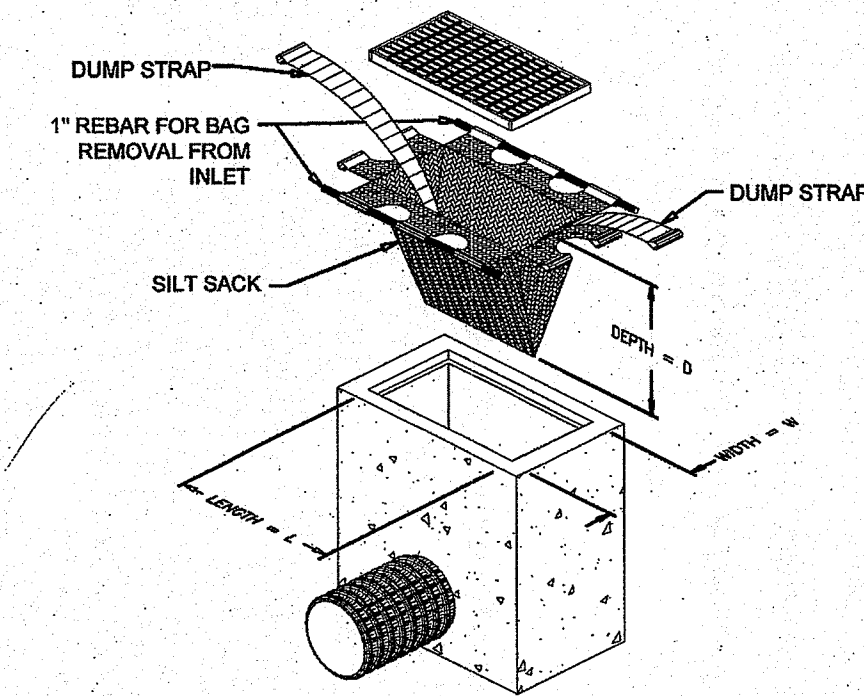
- NOTES:
- SHALL BE ACCORDANCE WITH SECTION 702 OF THE R.I. STANDARD SPECIFICATION.
  - SEE TABLE 1 FOR STEEL REINFORCEMENT REQUIREMENTS.
  - STEEL REINFORCEMENT FOR BASE SECTION BOTTOM SHALL BE A MINIMUM OF 0.12 SQ. IN./LIN. FT. (BOTH WAYS).
  - STEPS SHALL CONFORM TO STD. 5.3.0 AND SHALL BE INSTALLED AT THE CASTING PLANT.
  - ONE POUR MONOLITHIC BASE SECTION.
  - ANY NECESSARY ADJUSTMENTS DURING CONSTRUCTION WILL BE DONE BY SAW-CUTTING AND/OR CORING ONLY. NO JACKHAMMERS, HAMMERS AND CHISELS OR PNEUMATIC TOOLS WILL BE ALLOWED.
  - CORBEL MADE OF RED CLAY BRICK WILL BE PERMITTED FOR THE 'CONE SECTION' OF THE 4'-0" CATCH BASIN ONLY.
  - THE CENTERLINE OF THE OPENING MUST BE WITHIN 2'-0" FROM THE STEPS.
  - ALTERNATIVE TOP SLAB IS STEEL REINFORCED TO MEET OR EXCEED H-25 LOADING (SEE STD. 4.7.2).
  - ALTERNATIVE TOP SLAB IS ONLY FOR USE WHEN REDUCING SECTION DOES NOT FIT BECAUSE OF STRUCTURE DEPTH.
  - REFER TO STD. 5.2.0 FOR MAXIMUM PIPE SIZES.

**PRECAST ROUND CATCH BASIN & DRAIN MANHOLE (RIDOT 4.4.0)**  
SCALE: NOT TO SCALE



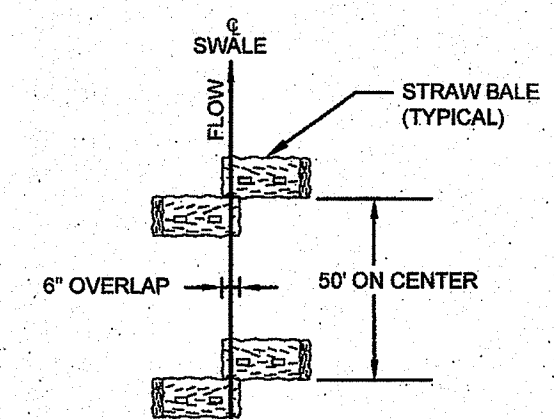
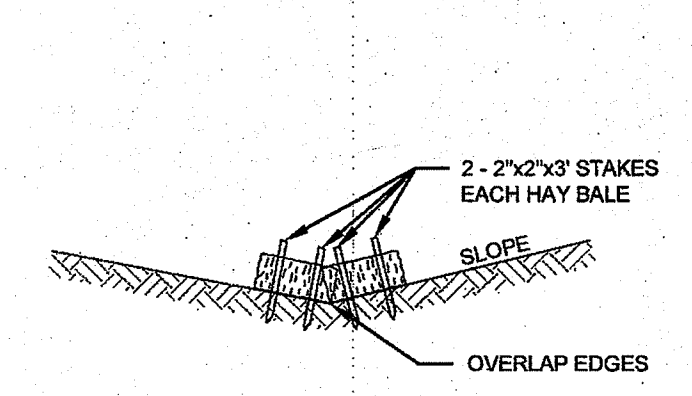
NOTE: FRAME AND GRATE SHALL CONFORM TO SECTION M.04 OF THE R.I. STANDARD SPECIFICATIONS.

**SQUARE FRAME AND GRATE (RIDOT 6.3.0)**  
SCALE: NOT TO SCALE

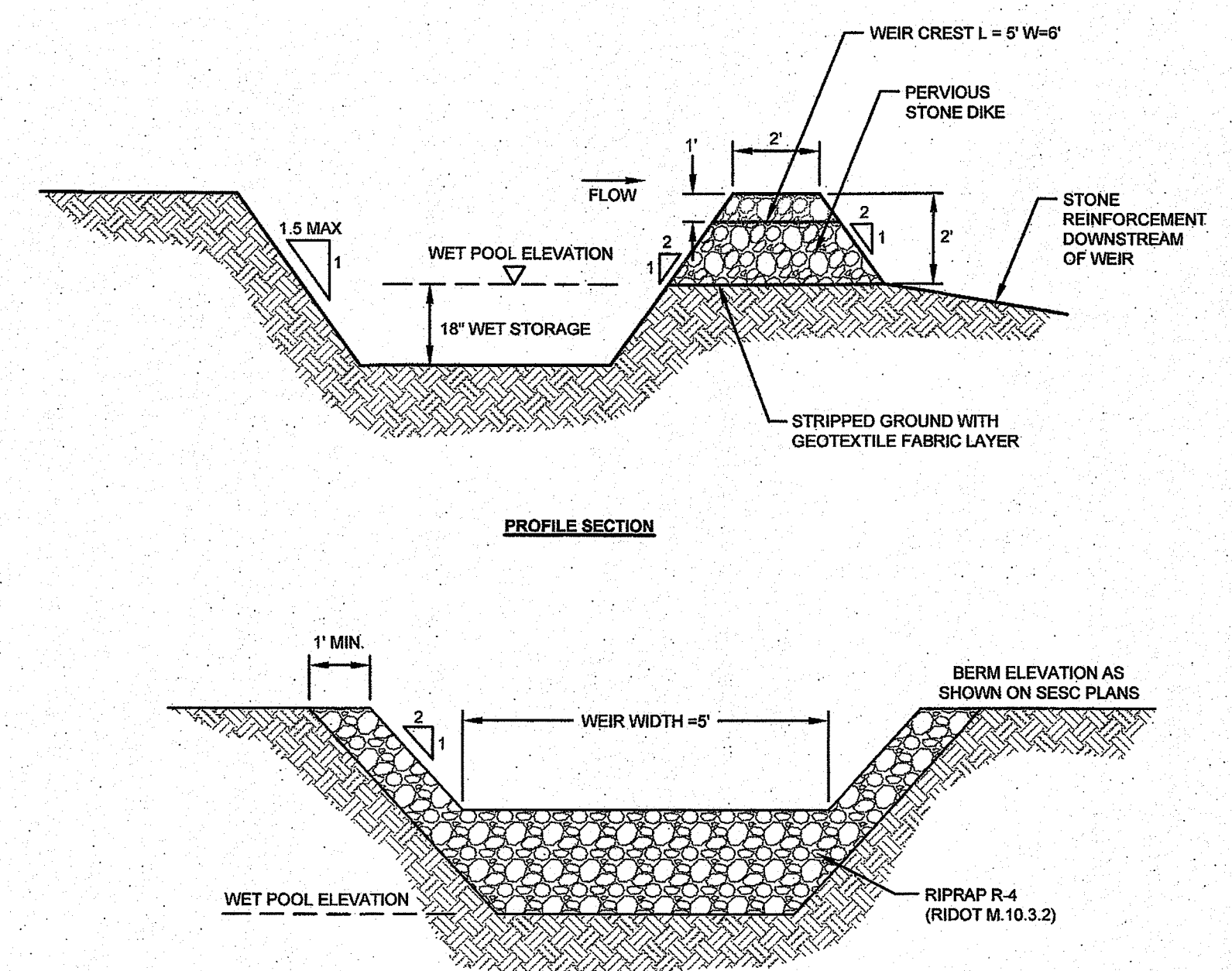


- MAINTENANCE SCHEDULE:
- EACH SILT SACK SHOULD BE INSPECTED AFTER EVERY MAJOR RAIN EVENT (+0.25" OF PRECIPITATION IN 24 HOURS).
  - IF THERE HAVE BEEN NO MAJOR EVENTS, SILT SACKS SHALL BE INSPECTED EVERY 2-3 WEEKS.
  - THE YELLOW RESTRAINT CORD SHOULD BE VISIBLE AT ALL TIMES. IF THE CORD IS COVERED WITH SEDIMENT, THE SILT SACK SHOULD BE EMPTIED.

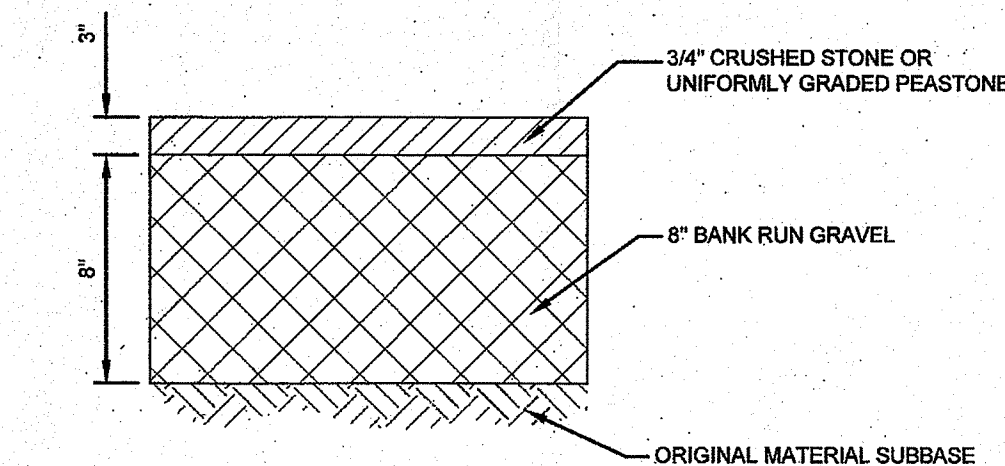
**SILT SACK DETAIL**  
SCALE: NOT TO SCALE



**STRAW BALE CHECK DAM**  
SCALE: NOT TO SCALE



**TYPICAL TEMPORARY SEDIMENT TRAP DETAILS**  
SCALE: NOT TO SCALE



**TYPICAL PERVIOUS DRIVEWAY SECTION**  
SCALE: NOT TO SCALE

1	RIDEM REVISIONS	17FEB21	
No.	Revision	Date	App.
Designed By:	JJR	Drawn by:	JJR
Checked by:	GES		
Scale:	AS SHOWN	Date:	20NOV20
Project Title:			
<b>CAMPOS SUBDIVISION</b>			
A.P. 120 LOTS 68-A & 68-B			
SERENITY DRIVE MIDDLETOWN RHODE ISLAND			
Client/Owner:			
MR. JUAN CAMPOS 162 BROADWAY, UNIT 1 NEWPORT, RI 02840			
Issued for:			
PERMITTING			
Drawing Title:			
<b>SITE DETAILS</b>			
Drawing Number:		C-11	
Sheet		11 of 11	
Project Number:		19187.0	
Survey Index:		- 120 - 68A & B	
<small>OWNERSHIP AND USE OF DOCUMENTS: DRAWINGS AND SPECIFICATIONS, AS INSTRUMENTS OF PROFESSIONAL SERVICE, ARE AND SHALL REMAIN THE PROPERTY OF THE ENGINEER. THESE DOCUMENTS ARE NOT TO BE USED, IN WHOLE OR PART, FOR ANY OTHER PROJECTS OR PURPOSES, OR BY ANY OTHER PARTIES, THAN THOSE PROPERLY AUTHORIZED BY CONTRACT, WITHOUT THE EXPRESS AUTHORIZATION OF THE ENGINEER.</small>			