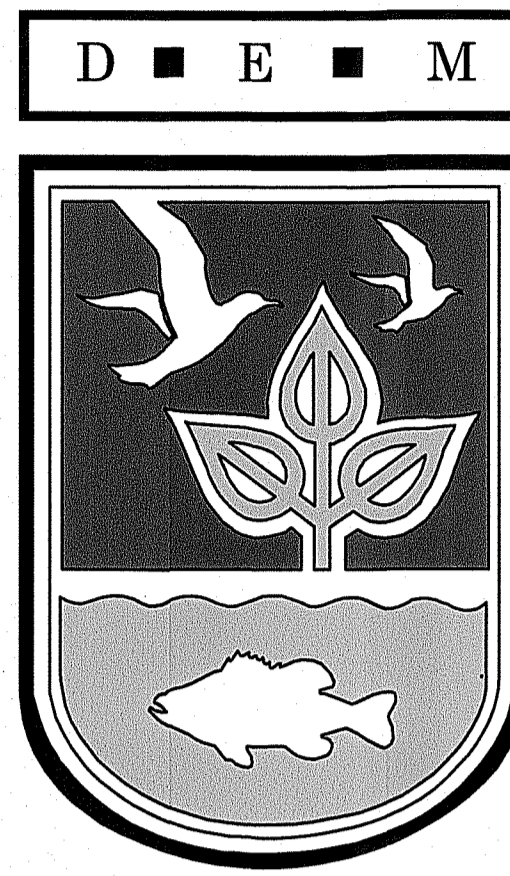


LOCUS MAP

STATE OF RHODE ISLAND



PROJECT LOCATION

DEPARTMENT OF ENVIRONMENTAL
MANAGEMENT

DIVISION OF PLANNING AND DEVELOPMENT

FRESHWATER BOAT LAUNCH FACILITY IMPROVEMENTS

WILSON RESERVOIR BURRILLVILLE, RI

JULY 2024

RI DEPARTMENT OF ENVIRONMENTAL MANAGEMENT
OFFICE OF WATER RESOURCES
FRESHWATER WETLANDS PROGRAM
APPROVED WITH CONDITIONS AS
SPECIFIED IN THE LETTER OF APPROVAL
DATED: SEP 16 2024 FILE #: 23-C131
NO CHANGES ALLOWED WITHOUT PRIOR APPROVAL
APPROVED PLANS MUST BE AT CONSTRUCTION SITE

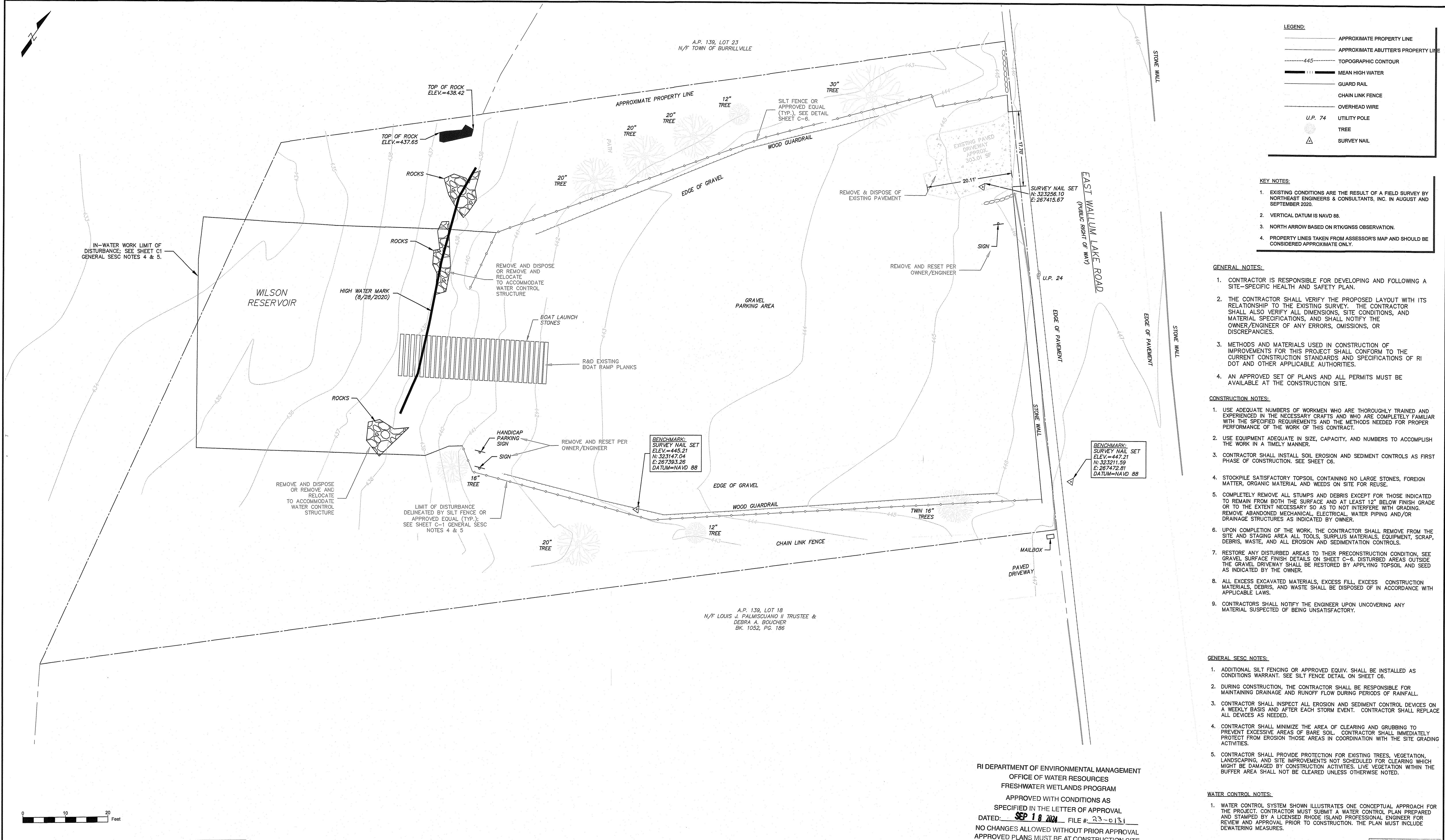
Nancy L. Freeman

LIST OF DRAWINGS

- C1 - EXISTING CONDITIONS, DEMOLITION, SESC
- C2- PROPOSED SITE PLAN
- C3 - BOAT RAMP SLAB DETAILS
- C4 - BOAT RAMP RAIL AND CONCRETE BLOCK DETAILS
- C5 - FLOATING DOCK AND CONCRETE ABUTMENT DETAILS
- C6 - STANDARD DETAILS

RI Environmental Management
JUL 25 2024
Office of Water Resources





LEGEND:

- APPROXIMATE PROPERTY LINE
- APPROXIMATE ABUTTER'S PROPERTY LINE
- TOPOGRAPHIC CONTOUR
- MEAN HIGH WATER
- GUARD RAIL
- CHAIN LINK FENCE
- OVERHEAD WIRE
- U.P. 74 UTILITY POLE
- △ TREE
- △ SURVEY NAIL

- KEY NOTES:**
- EXISTING CONDITIONS ARE THE RESULT OF A FIELD SURVEY BY NORTHEAST ENGINEERS & CONSULTANTS, INC. IN AUGUST AND SEPTEMBER 2020.
 - VERTICAL DATUM IS NAVD 88.
 - NORTH ARROW BASED ON RTKGNSS OBSERVATION.
 - PROPERTY LINES TAKEN FROM ASSESSOR'S MAP AND SHOULD BE CONSIDERED APPROXIMATE ONLY.

- GENERAL NOTES:**
- CONTRACTOR IS RESPONSIBLE FOR DEVELOPING AND FOLLOWING A SITE-SPECIFIC HEALTH AND SAFETY PLAN.
 - THE CONTRACTOR SHALL VERIFY THE PROPOSED LAYOUT WITH ITS RELATIONSHIP TO THE EXISTING SURVEY. THE CONTRACTOR SHALL ALSO VERIFY ALL DIMENSIONS, SITE CONDITIONS, AND MATERIAL SPECIFICATIONS, AND SHALL NOTIFY THE OWNER/ENGINEER OF ANY ERRORS, OMISSIONS, OR DISCREPANCIES.
 - METHODS AND MATERIALS USED IN CONSTRUCTION OF IMPROVEMENTS FOR THIS PROJECT SHALL CONFORM TO THE CURRENT CONSTRUCTION STANDARDS AND SPECIFICATIONS OF RI DOT AND OTHER APPLICABLE AUTHORITIES.
 - AN APPROVED SET OF PLANS AND ALL PERMITS MUST BE AVAILABLE AT THE CONSTRUCTION SITE.

- CONSTRUCTION NOTES:**
- USE ADEQUATE NUMBERS OF WORKMEN WHO ARE THOROUGHLY TRAINED AND EXPERIENCED IN THE NECESSARY CRAFTS AND WHO ARE COMPLETELY FAMILIAR WITH THE SPECIFIED REQUIREMENTS AND THE METHODS NEEDED FOR PROPER PERFORMANCE OF THE WORK OF THIS CONTRACT.
 - USE EQUIPMENT ADEQUATE IN SIZE, CAPACITY, AND NUMBERS TO ACCOMPLISH THE WORK IN A TIMELY MANNER.
 - CONTRACTOR SHALL INSTALL SOIL EROSION AND SEDIMENT CONTROLS AS FIRST PHASE OF CONSTRUCTION. SEE SHEET C6.
 - STOCKPILE SATISFACTORY TOPSOIL CONTAINING NO LARGE STONES, FOREIGN MATTER, ORGANIC MATERIAL AND WEEDS ON SITE FOR REUSE.
 - COMPLETELY REMOVE ALL STUMPS AND DEBRIS EXCEPT FOR THOSE INDICATED TO REMAIN FROM BOTH THE SURFACE AND AT LEAST 12" BELOW FINISH GRADE OR TO THE EXTENT NECESSARY SO AS TO NOT INTERFERE WITH GRADING. REMOVE ABANDONED MECHANICAL, ELECTRICAL, WATER PIPING AND/OR DRAINAGE STRUCTURES AS INDICATED BY OWNER.
 - UPON COMPLETION OF THE WORK, THE CONTRACTOR SHALL REMOVE FROM THE SITE AND STAGING AREA ALL TOOLS, SURPLUS MATERIALS, EQUIPMENT, SCRAP, DEBRIS, WASTE, AND ALL EROSION AND SEDIMENTATION CONTROLS.
 - RESTORE ANY DISTURBED AREAS TO THEIR PRECONSTRUCTION CONDITION. SEE GRAVEL SURFACE FINISH DETAILS ON SHEET C-6. DISTURBED AREAS OUTSIDE THE GRAVEL DRIVEWAY SHALL BE RESTORED BY APPLYING TOPSOIL AND SEED AS INDICATED BY THE OWNER.
 - ALL EXCESS EXCAVATED MATERIALS, EXCESS FILL, EXCESS CONSTRUCTION MATERIALS, DEBRIS, AND WASTE SHALL BE DISPOSED OF IN ACCORDANCE WITH APPLICABLE LAWS.
 - CONTRACTORS SHALL NOTIFY THE ENGINEER UPON UNCOVERING ANY MATERIAL SUSPECTED OF BEING UNSATISFACTORY.

- GENERAL SESC NOTES:**
- ADDITIONAL SILT FENCING OR APPROVED EQUIV. SHALL BE INSTALLED AS CONDITIONS WARRANT. SEE SILT FENCE DETAIL ON SHEET C6.
 - DURING CONSTRUCTION, THE CONTRACTOR SHALL BE RESPONSIBLE FOR MAINTAINING DRAINAGE AND RUNOFF FLOW DURING PERIODS OF RAINFALL.
 - CONTRACTOR SHALL INSPECT ALL EROSION AND SEDIMENT CONTROL DEVICES ON A WEEKLY BASIS AND AFTER EACH STORM EVENT. CONTRACTOR SHALL REPLACE ALL DEVICES AS NEEDED.
 - CONTRACTOR SHALL MINIMIZE THE AREA OF CLEARING AND GRUBBING TO PREVENT EXCESSIVE AREAS OF BARE SOIL. CONTRACTOR SHALL IMMEDIATELY PROTECT FROM EROSION THOSE AREAS IN COORDINATION WITH THE SITE GRADING ACTIVITIES.
 - CONTRACTOR SHALL PROVIDE PROTECTION FOR EXISTING TREES, VEGETATION, LANDSCAPING, AND SITE IMPROVEMENTS NOT SCHEDULED FOR CLEARING WHICH MIGHT BE DAMAGED BY CONSTRUCTION ACTIVITIES. LIVE VEGETATION WITHIN THE BUFFER AREA SHALL NOT BE CLEARED UNLESS OTHERWISE NOTED.

- WATER CONTROL NOTES:**
- WATER CONTROL SYSTEM SHOWN ILLUSTRATES ONE CONCEPTUAL APPROACH FOR THE PROJECT. CONTRACTOR MUST SUBMIT A WATER CONTROL PLAN PREPARED AND STAMPED BY A LICENSED RHODE ISLAND PROFESSIONAL ENGINEER FOR REVIEW AND APPROVAL PRIOR TO CONSTRUCTION. THE PLAN MUST INCLUDE DEWATERING MEASURES.

RI DEPARTMENT OF ENVIRONMENTAL MANAGEMENT
 OFFICE OF WATER RESOURCES
 FRESHWATER WETLANDS PROGRAM
 APPROVED WITH CONDITIONS AS
 SPECIFIED IN THE LETTER OF APPROVAL
 DATED: SEP 18 2024 FILE # 23-0131
 NO CHANGES ALLOWED WITHOUT PRIOR APPROVAL
 APPROVED PLANS MUST BE AT CONSTRUCTION SITE
Nancy L. Freeman

RI Environmental Management
 AUG 29 2024
 Office of Water Resources

NOT FOR CONSTRUCTION

No.	Description	Date
REVISIONS:		

STATE OF RHODE ISLAND
 DEPARTMENT OF ENVIRONMENTAL MANAGEMENT
 DIVISION OF PLANNING AND DEVELOPMENT

RIDEM OWR
 WETLAND PERMITTING
 SUBMISSION SET
 PERMIT: 23-0131

BOAT RAMP IMPROVEMENTS
 WILSON RESERVOIR
 BURRILLVILLE, RI

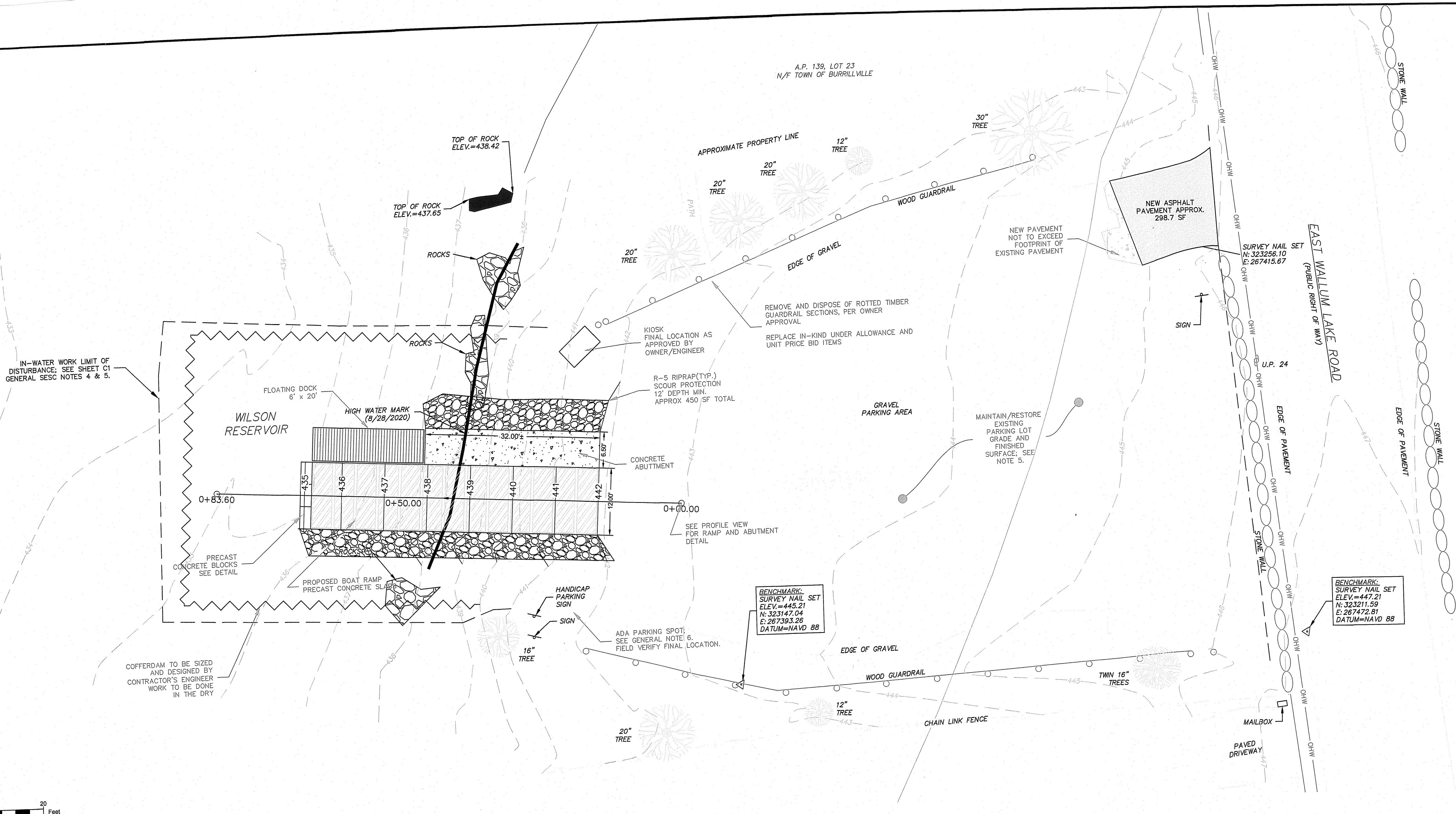
Design by: JRT, CAW
 Drawn by: JRT, CAW
 Checked by:
 Date: JULY 2024
 Scale: AS NOTED

**EXISTING CONDITIONS
 DEMOLITION
 SESC**

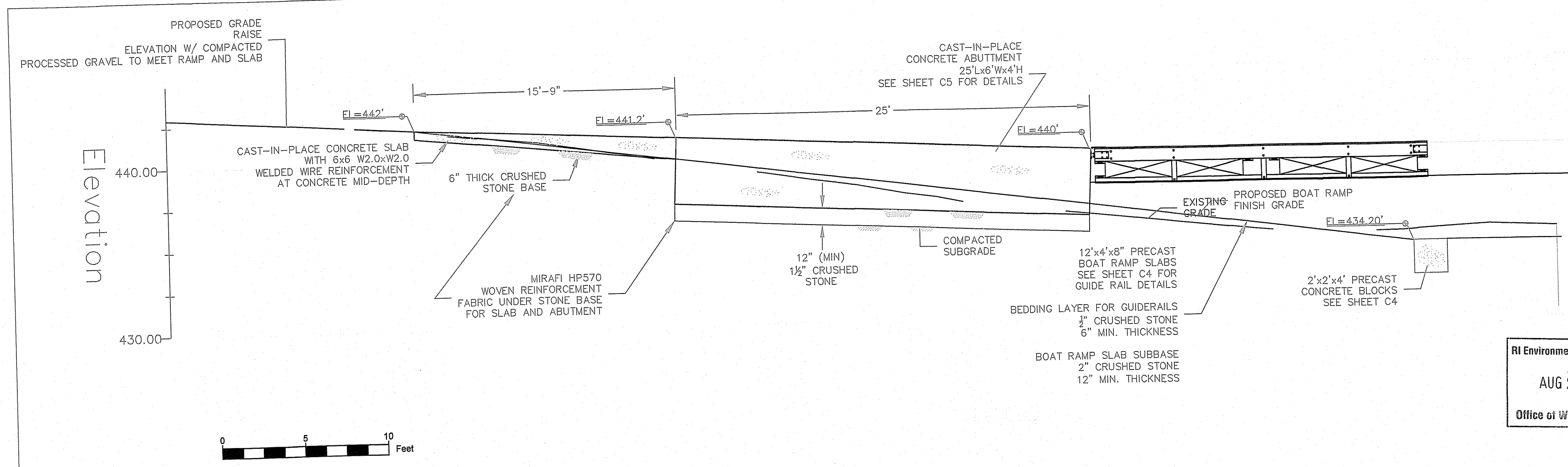
C1
 SHEET 02 OF 07

- LEGEND:**
- APPROXIMATE PROPERTY LINE
 - APPROXIMATE ABUTTER'S PROPERTY LINE
 - 445 TOPOGRAPHIC CONTOUR
 - MEAN HIGH WATER
 - GUARD RAIL
 - CHAIN LINK FENCE
 - OHW OVERHEAD WIRE
 - U.P. 74 UTILITY POLE
 - △ TREE
 - △ SURVEY NAIL

- GENERAL NOTES:**
1. EXISTING CONDITIONS ARE THE RESULT OF A FIELD SURVEY BY NORTHEAST ENGINEERS & CONSULTANTS, INC. IN AUGUST AND SEPTEMBER 2020.
 2. VERTICAL DATUM IS NAVD 88.
 3. NORTH ARROW BASED ON RTK/GNSS OBSERVATION.
 4. PROPERTY LINES TAKEN FROM ASSESSOR'S MAP AND SHOULD BE CONSIDERED APPROXIMATE ONLY.
 5. UPON COMPLETION OF THE WORK THE EXISTING GRAVEL PARKING LOT SHALL BE RESTORED TO ORIGINAL SHOULD ADDITIONAL GRAVEL BE NEEDED TO RESTORE THE SITE, THE CONTRACTOR SHALL VERIFY THAT ORIGINAL CONTOURS ARE MAINTAINED SUCH THAT THERE IS POSITIVE DRAINAGE THROUGHOUT THE PARKING LOT. SEE SHEET C-6 FOR ADDITIONAL GRAVEL SURFACE DETAILS.
 6. THE ADA PARKING SPOT SHALL BE RESTORED WITH A GRAVEL STONE DUST SURFACE. THE SPOT SHALL BE 10' LONG BY 8' WIDE, WITH AN ADJACENT 8' WIDE UNLOADING ZONE. SEE DETAIL 7, SHEET C-6

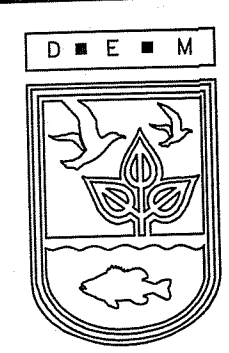


RI DEPARTMENT OF ENVIRONMENTAL MANAGEMENT
 OFFICE OF WATER RESOURCES
 FRESHWATER WETLANDS PROGRAM
 APPROVED WITH CONDITIONS AS
 SPECIFIED IN THE LETTER OF APPROVAL
 DATED: **SEP 18 2024** FILE # **23-0131**
 NO CHANGES ALLOWED WITHOUT PRIOR APPROVAL
 APPROVED PLANS MUST BE AT CONSTRUCTION SITE
Nancy L. Freeman



NOT FOR CONSTRUCTION

No.	Description	Date



STATE OF RHODE ISLAND
 DEPARTMENT OF ENVIRONMENTAL MANAGEMENT
 DIVISION OF PLANNING AND DEVELOPMENT

RIDEM OWR
 WETLAND PERMITTING
 SUBMISSION SET
 PERMIT: 23-0131

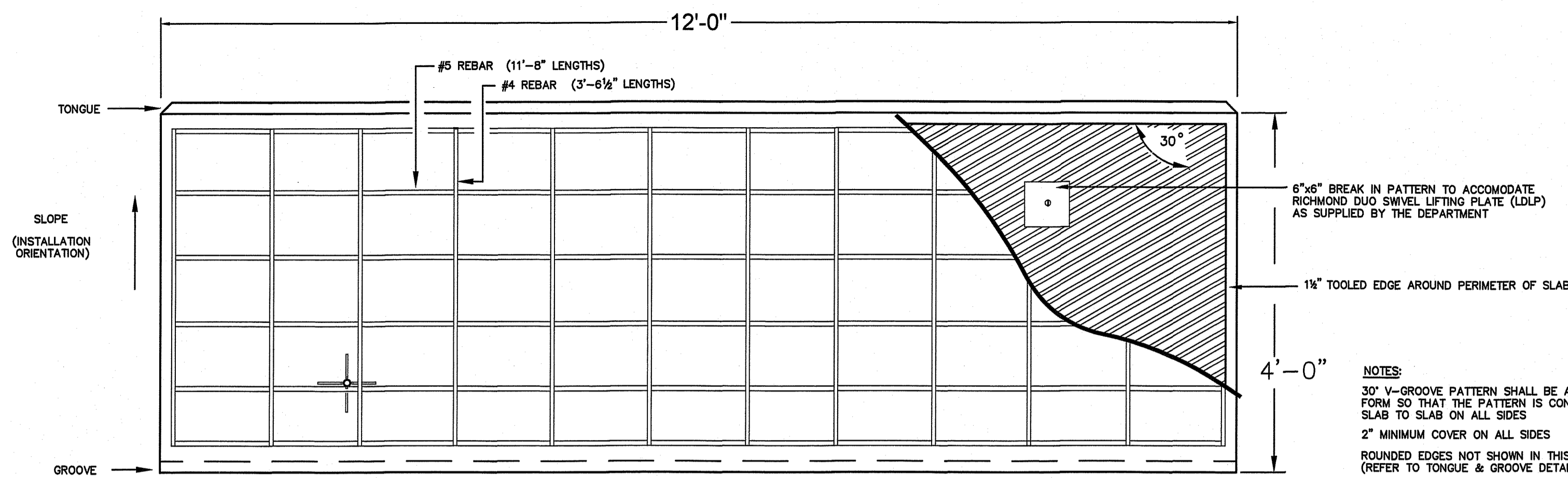
BOAT RAMP IMPROVEMENTS
 WILSON RESERVOIR
 BURRILLVILLE, RI

Design by: JRT, CAW
 Drawn by: JRT, CAW
 Checked by:
 Date: JULY 2024
 Scale: AS NOTED

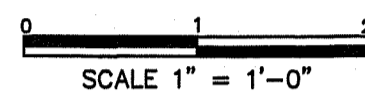
PROPOSED SITE PLAN

C2
 SHEET 03 OF 07

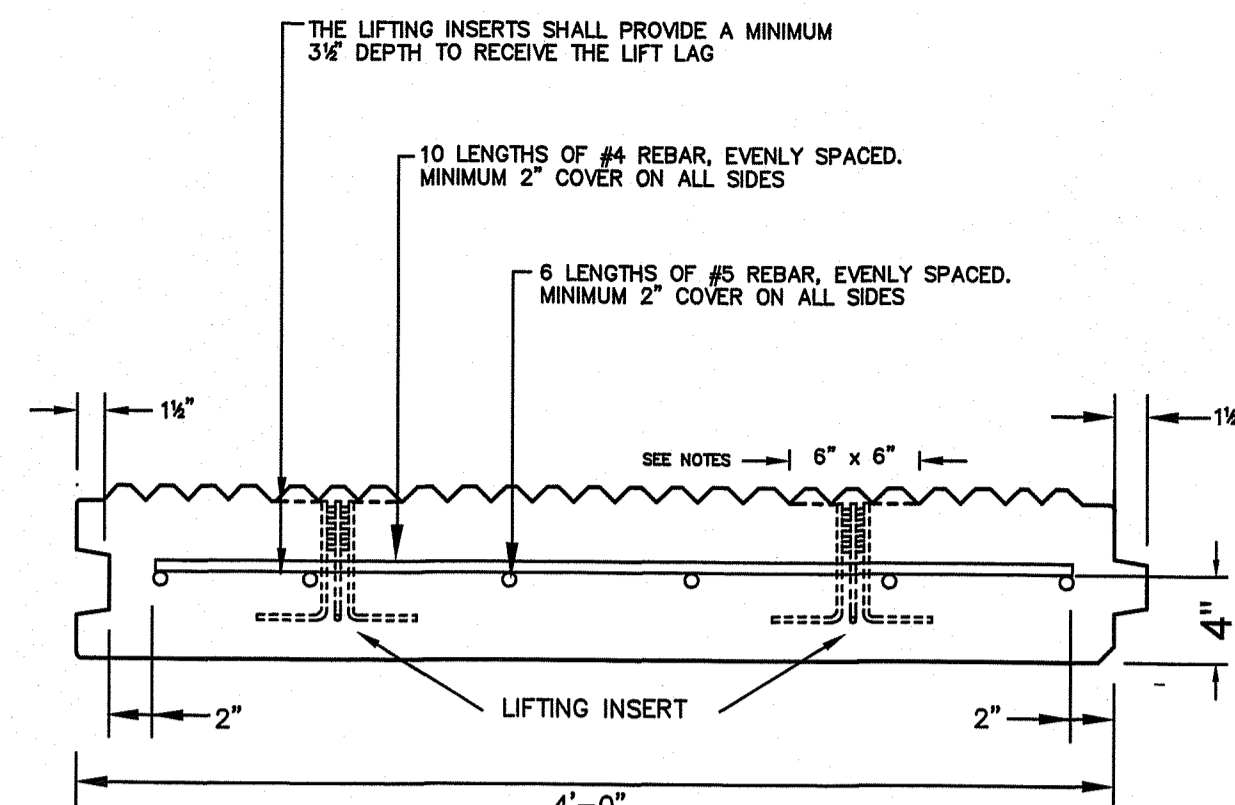
RI Environmental Management
 AUG 29 2024
 Office of Water Resources



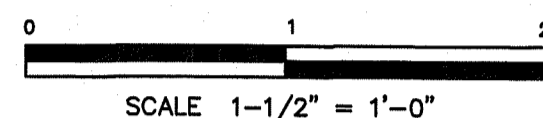
PLAN VIEW



NOTES:
 30° V-GROOVE PATTERN SHALL BE ALIGNED IN EACH FORM SO THAT THE PATTERN IS CONTINUOUS FROM SLAB TO SLAB ON ALL SIDES
 2" MINIMUM COVER ON ALL SIDES
 ROUNDED EDGES NOT SHOWN IN THIS VIEW (REFER TO TONGUE & GROOVE DETAIL)

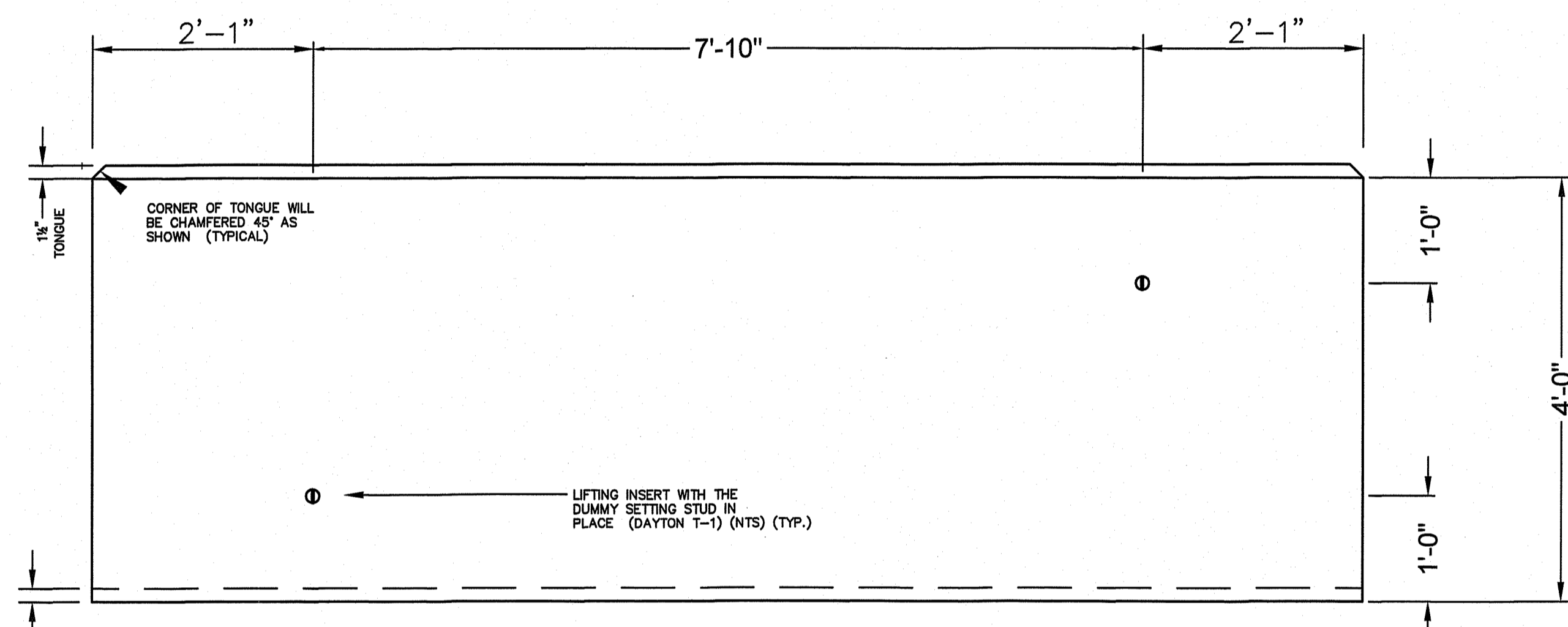


TYPICAL END VIEW

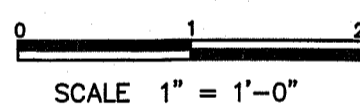


- THE RI DEPARTMENT OF ENVIRONMENTAL MANAGEMENT OWNS TWO STEEL FORMS FOR THIS SHAPE SLAB. ARRANGEMENTS WILL BE MADE WITH THE CONTRACTOR FOR USE OF THE FORMS.
- CONTRACTOR SHALL BE RESPONSIBLE FOR PREPARING FORMS FOR USE INCLUDING, SANDBLASTING, SANDING, SMOOTHING, CAULKING, SEALING, AND OILING.
- SLABS SHALL NOT BE STACKED MORE THAN 4 HIGH AND MUST HAVE WOODEN SPACERS BETWEEN THE ROWS. ANY CHIPPING WILL RESULT IN REJECTION OF THE SLAB.

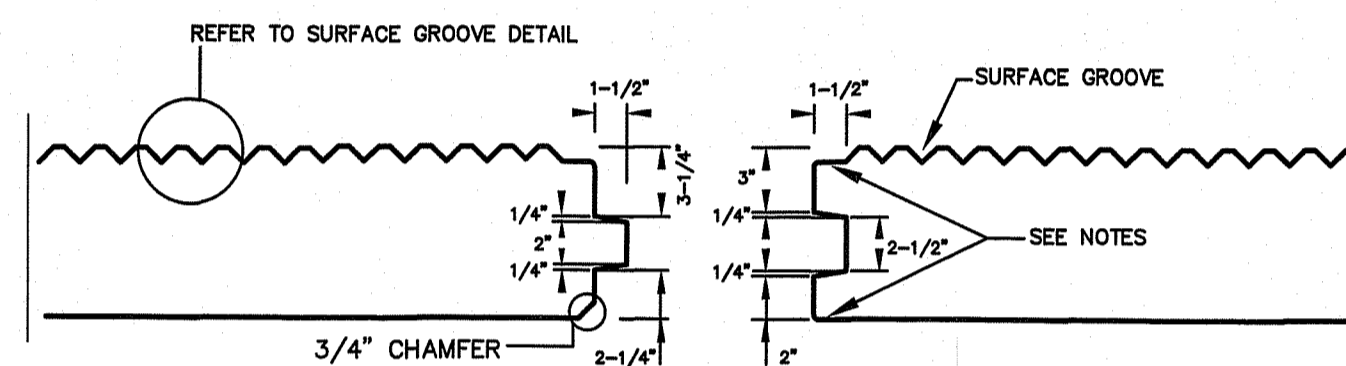
NOTES:
 PATTERN IS BROKEN TO ACCOMMODATE LIFTING APPARATUS AS SHOWN IN PLAN VIEW
 COILS OF THE INSERTS SHALL NOT EXTEND ABOVE THE CONCRETE SURFACE (AS SHOWN)



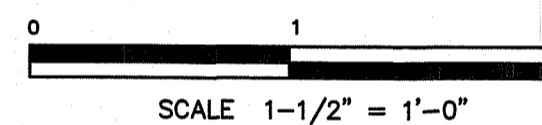
LIFTING INSERT LOCATION



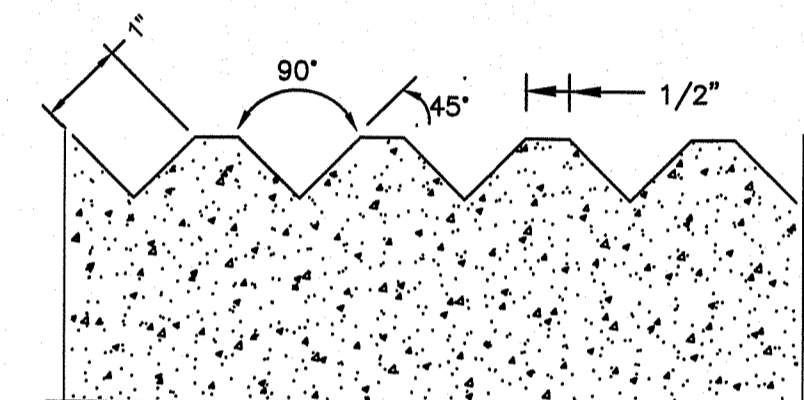
LIFTING INSERT LOCATION NOTES:
 - 2 LIFTING INSERTS PER SLAB
 SEE TYPICAL END VIEW FOR INSTALLATION DETAILS
 - LIFTING INSERTS AND DUMMY SETTING STUDS WILL BE STAINLESS STEEL
 - ROUNDED EDGES NOT SHOWN IN THIS VIEW



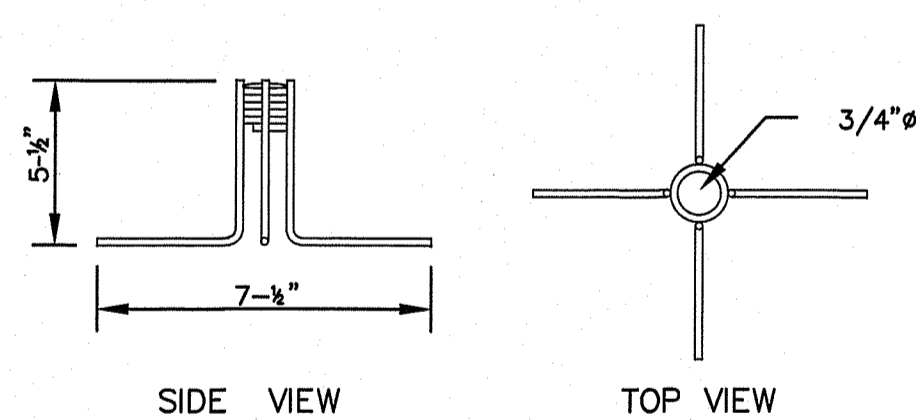
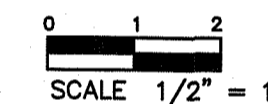
TYPICAL TONGUE AND GROOVE DETAIL



NOTES:
 1 1/2" EDGE, ROUNDED AT ALL TOP SURFACE EDGES, AS SHOWN (TYPICAL)
 ROUNDED EDGES SHALL HAVE A RADIUS NO GREATER THAN 1/4"



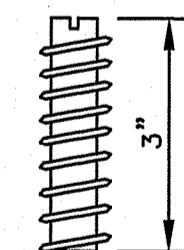
SURFACE GROOVE DETAIL



LIFTING INSERT

NOT TO SCALE

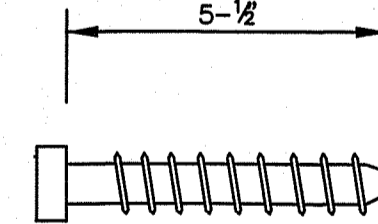
NOTES:
 LIFTING INSERTS SHALL BE DAYTON T-1 STAINLESS STEEL COIL LIFTING INSERTS OR APPROVED EQUALS. MINIMUM INSERT HEIGHT SHALL BE 5-1/2" WITH A MINIMUM BASE WIDTH OF 7-1/2". THE INSERT MUST ACCEPT THE SPECIFIED 3/4" x 5-1/2" LONG LIFT LAG COIL BOLT AND BE OF THE SAME BRAND.



DUMMY SETTING STUD

NOT TO SCALE

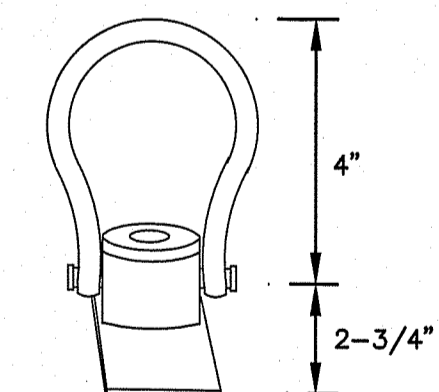
NOTES:
 DUMMY SETTING STUDS FOR THE LIFTING INSERTS SHALL BE 3/4" x 3" LONG PLASTIC OR APPROVED EQUAL



LIFT LAG

NOT TO SCALE

NOTES:
 LIFT LAGS FOR ANCHORING DOUBLE SWIVEL LIFTING PLATES SHALL BE 3/4" x 5-1/2" LONG DAYTON LIFT LAGS OR APPROVED EQUAL BEING OF THE SAME BRAND AS THE LIFTING INSERTS AND COMPATIBLE WITH RICHMOND DUO SWIVEL LIFTING PLATES (LDLP)



DOUBLE SWIVEL LIFTING PLATE

NOT TO SCALE

NOTES:
 DOUBLE SWIVEL PLATES SHALL BE RICHMOND DUO SWIVEL LIFT PLATES (LDLP) OR APPROVED EQUALS DESIGNED TO ACCEPT 3/4" LIFT LAGS AND TO ROTATE 360° IN HORIZONTAL PLANE AND 180° IN VERTICAL PLANE. BASE PLATE TO BE 1/2" x 3" x 5". SAFE WORKING LOAD: 13,000 lbs.

RI DEPARTMENT OF ENVIRONMENTAL MANAGEMENT
 OFFICE OF WATER RESOURCES
 FRESHWATER WETLANDS PROGRAM
 APPROVED WITH CONDITIONS AS SPECIFIED IN THE LETTER OF APPROVAL
 DATED: SEP 18 2024 FILE #: 23-0151
 NO CHANGES ALLOWED WITHOUT PRIOR APPROVAL
 APPROVED PLANS MUST BE AT CONSTRUCTION SITE

Andy L. Freeman

NOT FOR CONSTRUCTION



STATE OF RHODE ISLAND
 DEPARTMENT OF ENVIRONMENTAL MANAGEMENT
 DIVISION OF PLANNING AND DEVELOPMENT

BOAT RAMP IMPROVEMENTS
 WILSON RESERVOIR
 BURRILLVILLE, RI

Design by: JRT, CAW
 Drawn by: JRT, CAW
 Checked by:
 Date: JULY 2024
 Scale: AS NOTED

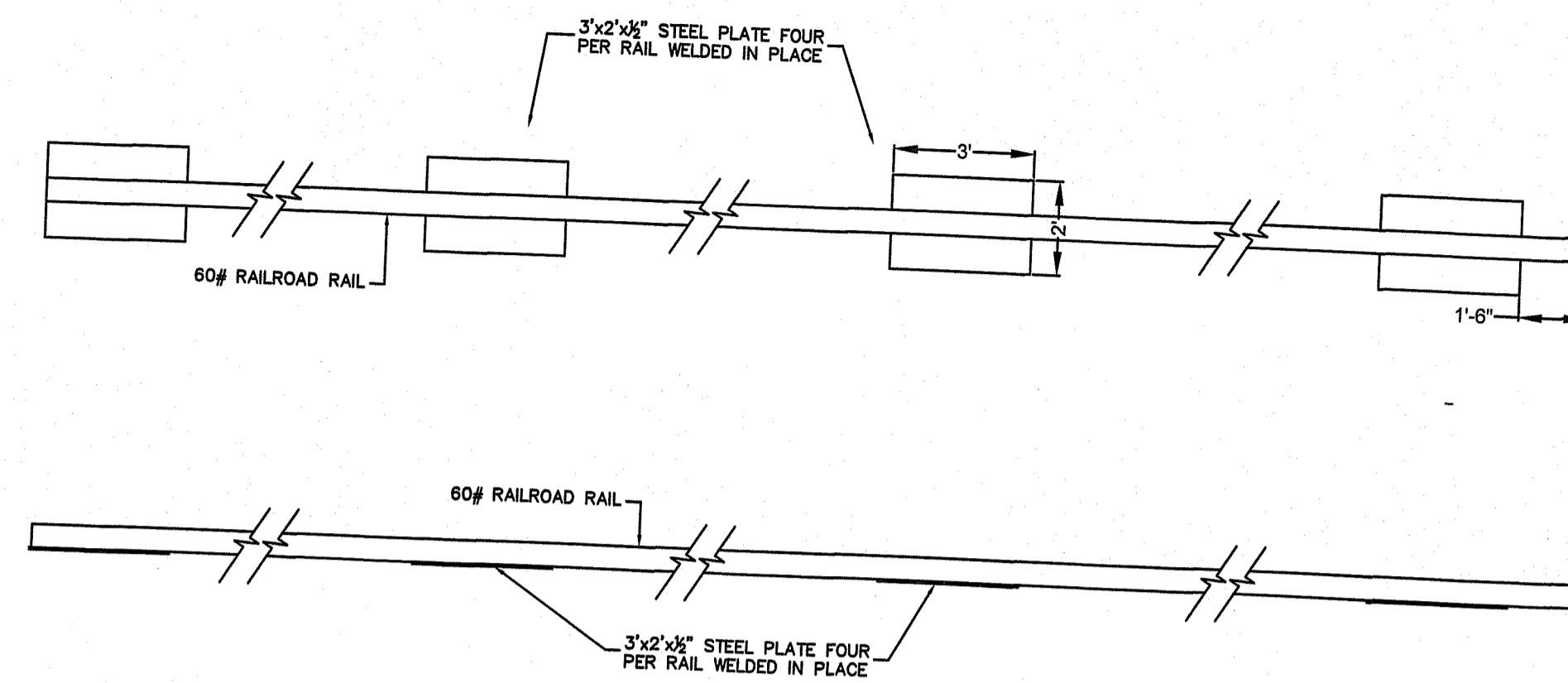
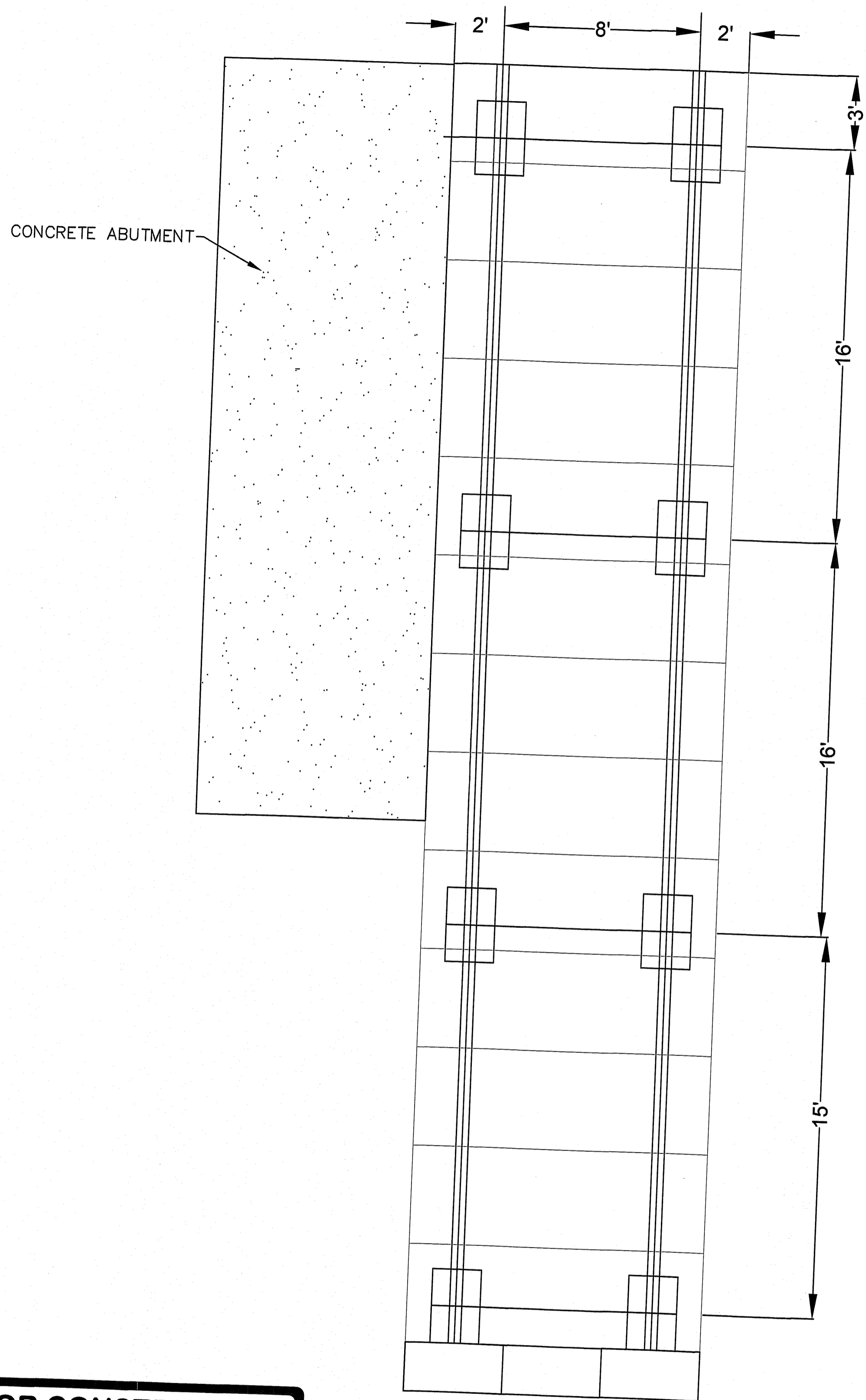
DETAILS-SLAB

C3

SHEET 04 OF 07

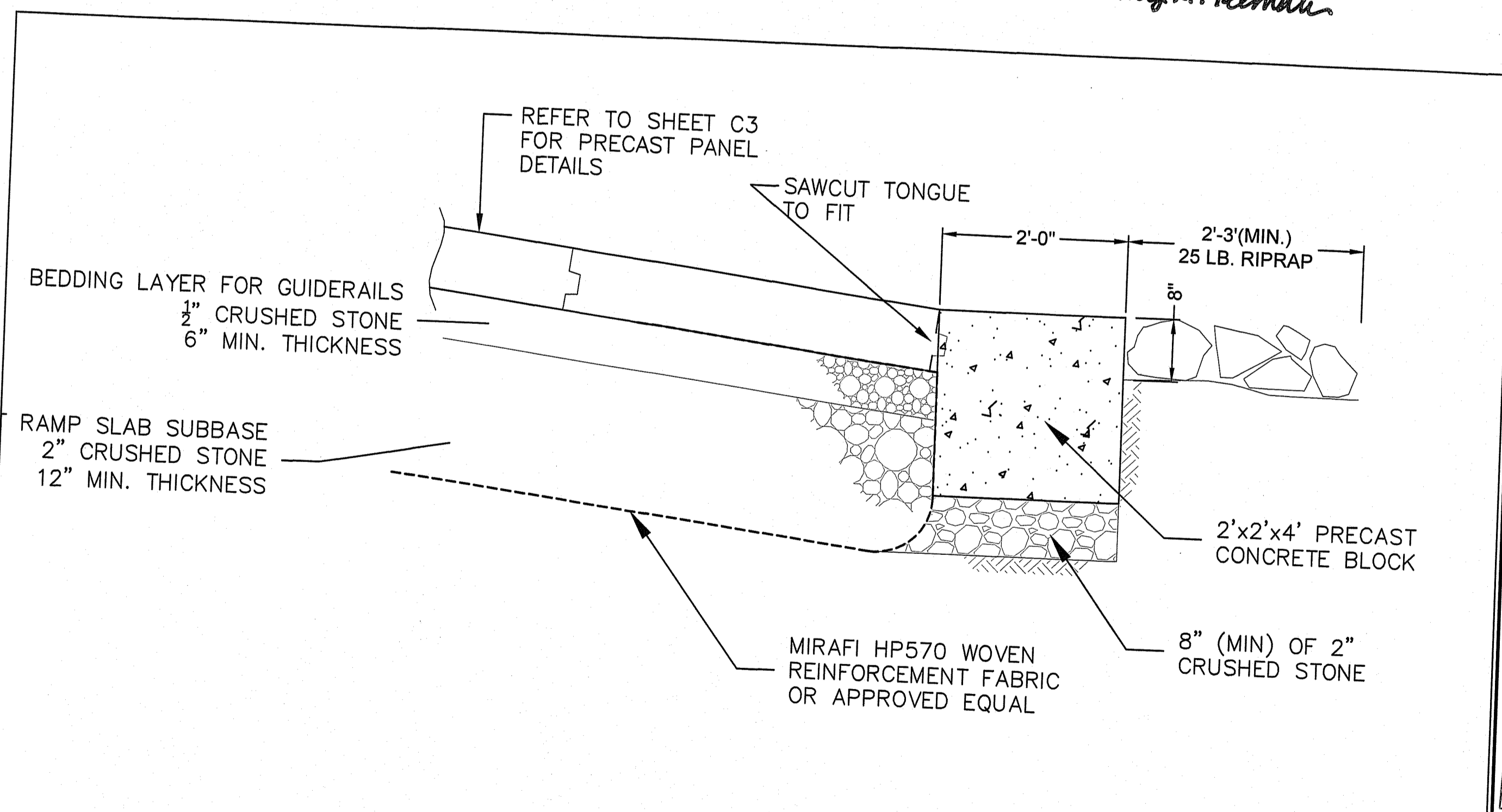
RI Environmental Management
 JUL 25 2024
 Office of Water Resources

No.	Description	Date
REVISIONS:		



- NOTE:
1. THE CONTRACTOR MAY CONSTRUCT THE GUIDEWAY SYSTEM WITH USED RAILROAD RAILS UPON APPROVAL OF THE OWNER AND ENGINEER.
 2. ALL BOAT RAMP SLABS SHALL BEAR EVENLY ON TWO RAILS
 3. RAILS SHALL BE USED AS A GUIDE TO SCREENED PEA STONE AND ENSURE UNIFORM STONE BEARING SURFACE OVER ENTIRE BOAT RAMP SLAB.

RI DEPARTMENT OF ENVIRONMENTAL MANAGEMENT
 OFFICE OF WATER RESOURCES
 FRESHWATER WETLANDS PROGRAM
 APPROVED WITH CONDITIONS AS
 SPECIFIED IN THE LETTER OF APPROVAL
 DATED: SEP 18 2024 FILE #: 23-0131
 NO CHANGES ALLOWED WITHOUT PRIOR APPROVAL
 APPROVED PLANS MUST BE AT CONSTRUCTION SITE
Nancy L. Freeman



NOT FOR CONSTRUCTION

Revisions:	Description	Date



STATE OF RHODE ISLAND
 DEPARTMENT OF ENVIRONMENTAL MANAGEMENT
 DIVISION OF PLANNING AND DEVELOPMENT

BOAT RAMP IMPROVEMENTS
 WILSON RESEVOIR
 BURRILLVILLE, RI

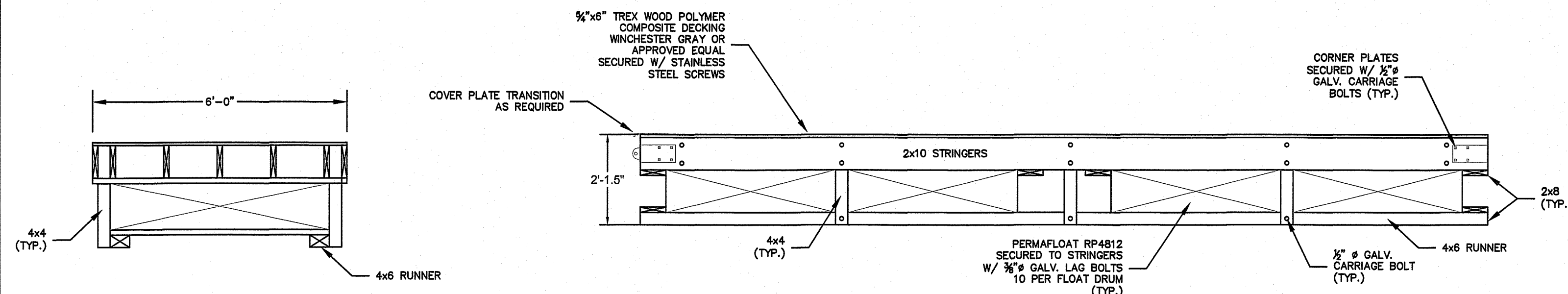
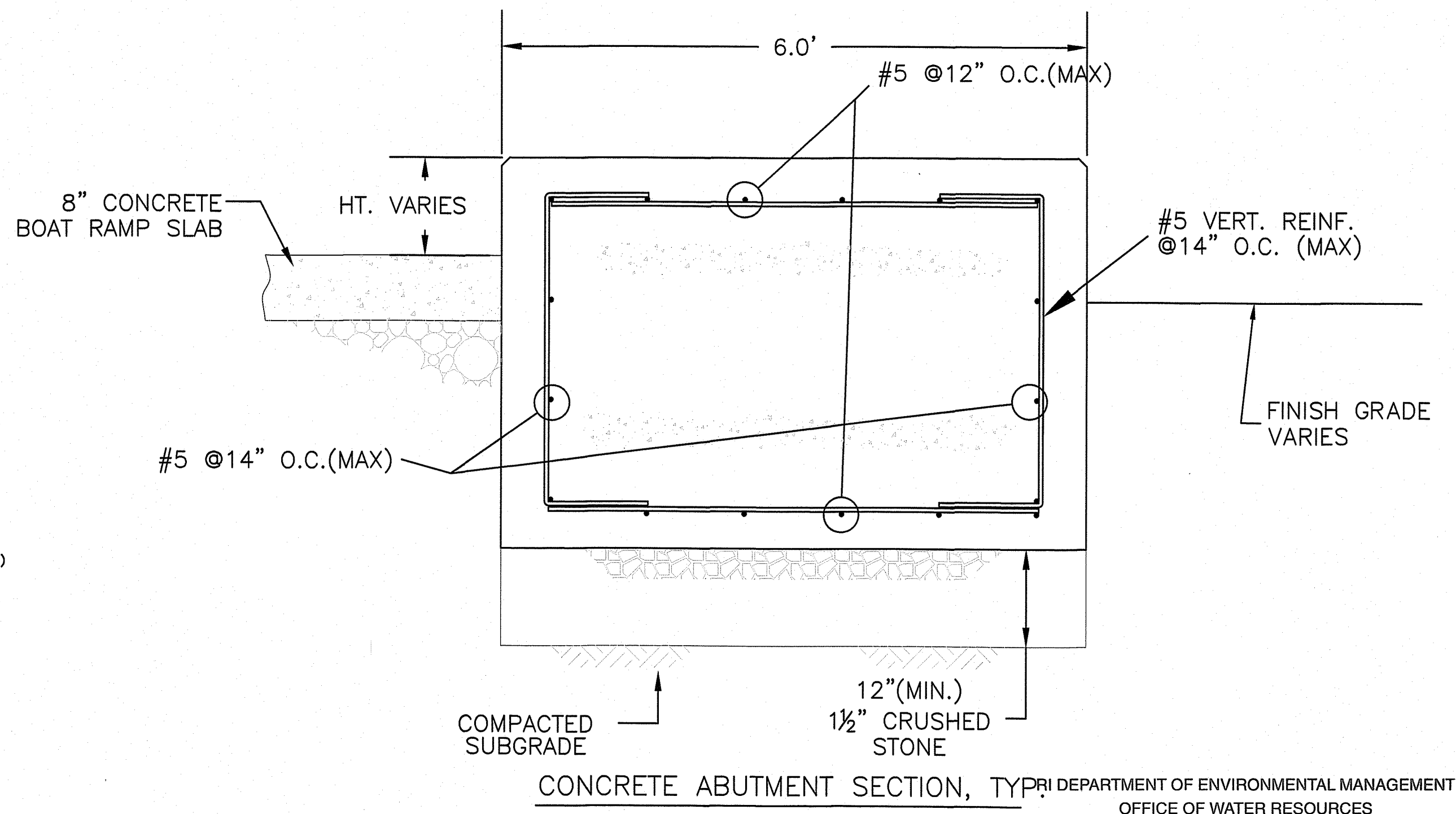
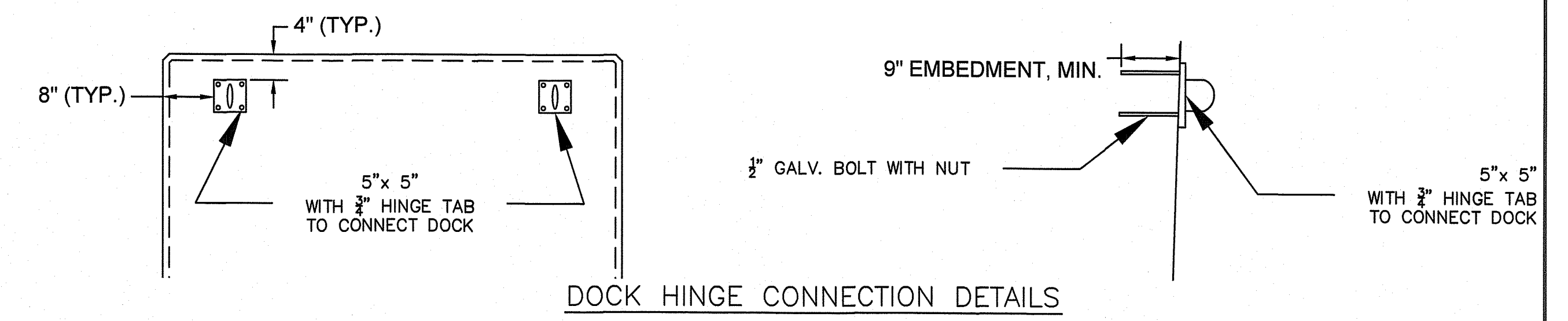
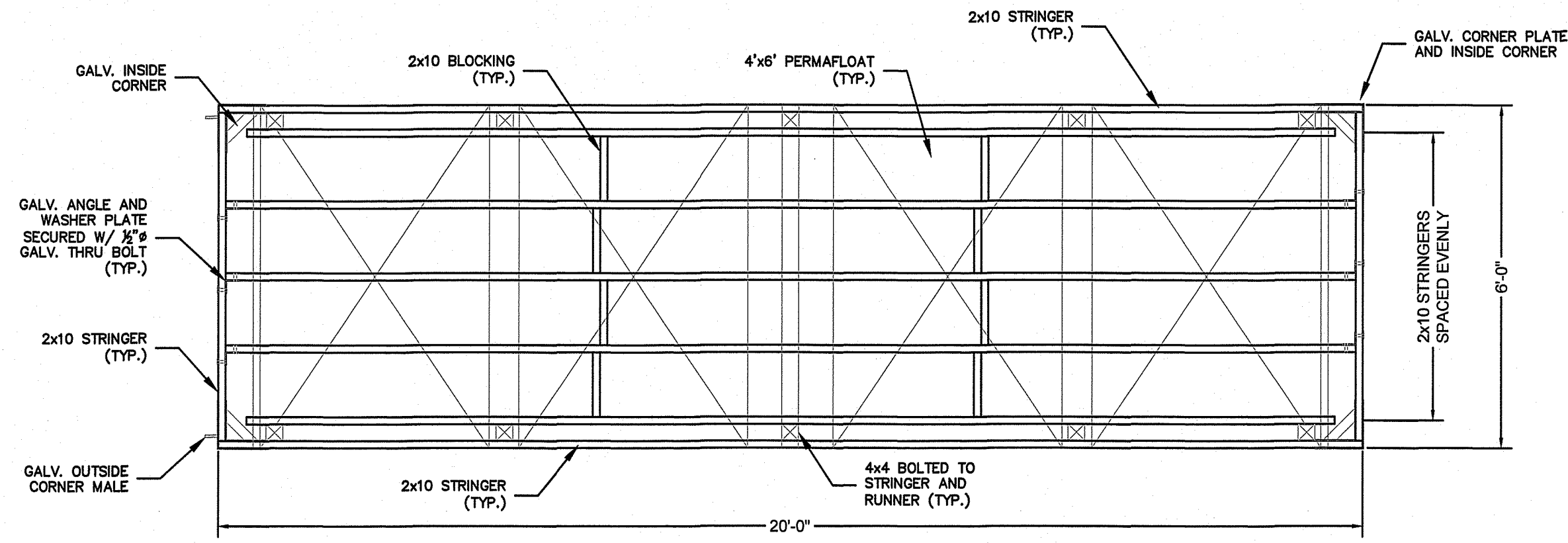
Design by: JRT
Drawn by: JRT
Checked by:
Date: JUNE 2023
Scale: AS NOTED

**DETAILS-RAIL
 AND CONCRETE BLOCK**

C4

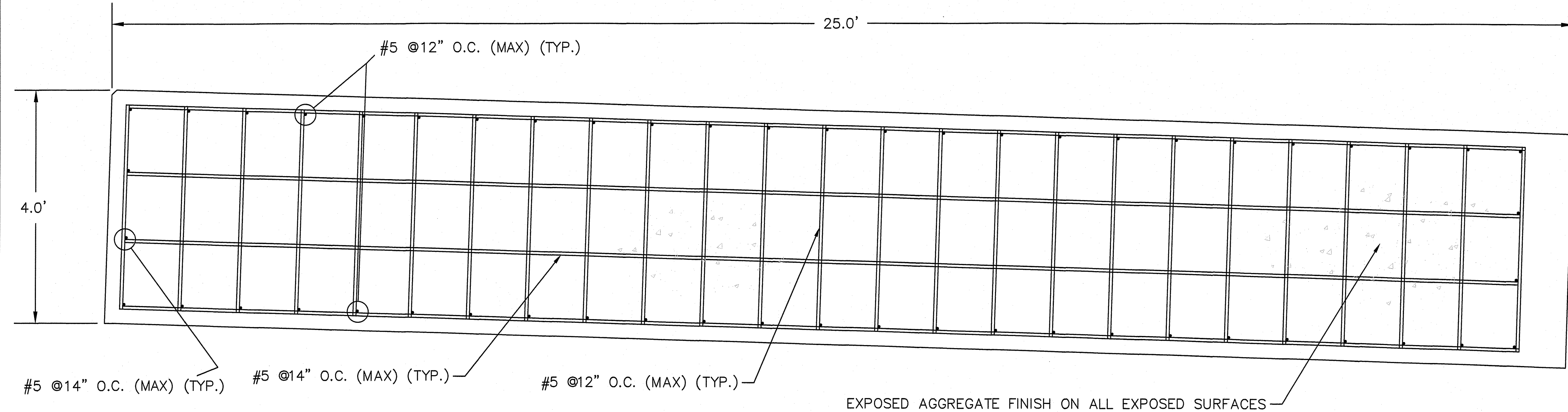
SHEET 05 OF 07

RI Environmental Management
 JUL 25 2024
 Office of Water Resources



FLOATING DOCK DETAILS

CONCRETE ABUTMENT SECTION, TYP.



CONCRETE ABUTMENT PROFILE, TYP.
SCALE 1"=1'

RI DEPARTMENT OF ENVIRONMENTAL MANAGEMENT
OFFICE OF WATER RESOURCES
FRESHWATER WETLANDS PROGRAM
APPROVED WITH CONDITIONS AS
SPECIFIED IN THE LETTER OF APPROVAL
DATED: **SEP 18 2024** FILE #: 23-0131
NO CHANGES ALLOWED WITHOUT PRIOR APPROVAL
APPROVED PLANS MUST BE AT CONSTRUCTION SITE
Nancy L. Freeman

- GENERAL NOTES:
- CONTRACTOR SHALL SUBMIT SHOP DRAWINGS IN ACCORDANCE WITH PROJECT SPECIFICATIONS. THE CONTRACTOR SHALL CHECK ALL DIMENSIONS AND ACCEPT FULL RESPONSIBILITY FOR DIMENSIONAL CORRECTNESS.
 - STRUCTURAL PLANS SHALL NOT BE REPRODUCED IN WHOLE OR IN PART FOR USE AS SHOP DRAWINGS.
 - IT SHALL BE THE CONTRACTOR'S RESPONSIBILITY TO CONTINUOUSLY PROTECT SOILS, CONCRETE, MASONRY AND OTHER BUILDING MATERIALS FROM DAMAGE DUE TO COLD TEMPERATURES. CAST-IN-PLACE CONCRETE SHALL NOT BE CONSTRUCTED ON FROZEN GROUND. ALL FROZEN SOIL SHALL BE REMOVED AND REPLACED WITH CRUSHED STONE. FROZEN MATERIALS CONTAINING ICE SHALL NOT BE USED.
 - ALL CAST-IN-PLACE CONCRETE SHALL CONFORM WITH ACI 301 SPECIFICATIONS FOR STRUCTURAL CONCRETE AND BUILDINGS.
 - ALL REINFORCING STEEL SHALL BE EPOXY-COATED IN ACCORDANCE WITH THE SPECIFICATIONS AND SHALL CONFORM TO ASTM A615 GRADE 60, AND SHALL BE DETAILED IN ACCORDANCE WITH ACI 315 "STANDARD PRACTICE FOR DETAILING REINFORCED CONCRETE STRUCTURES"
 - REINFORCING STEEL SHALL HAVE A 3" MIN. CONCRETE COVER.
 - ALL REINFORCEMENT SHALL BE SECURELY TIED IN ITS PROPOSED LOCATION PRIOR TO AND DURING PLACEMENT OF CONCRETE USING APPROVED CHAIRS, SPACERS, AND TIE WIRE AS REQUIRED.
 - ALL EXPOSED EDGES OF CAST-IN-PLACE CONCRETE SHALL HAVE A 1" CHAMFER.

RI Environmental Management
JUL 25 2024
Office of Water Resources

No.	Description	Date
1		
2		

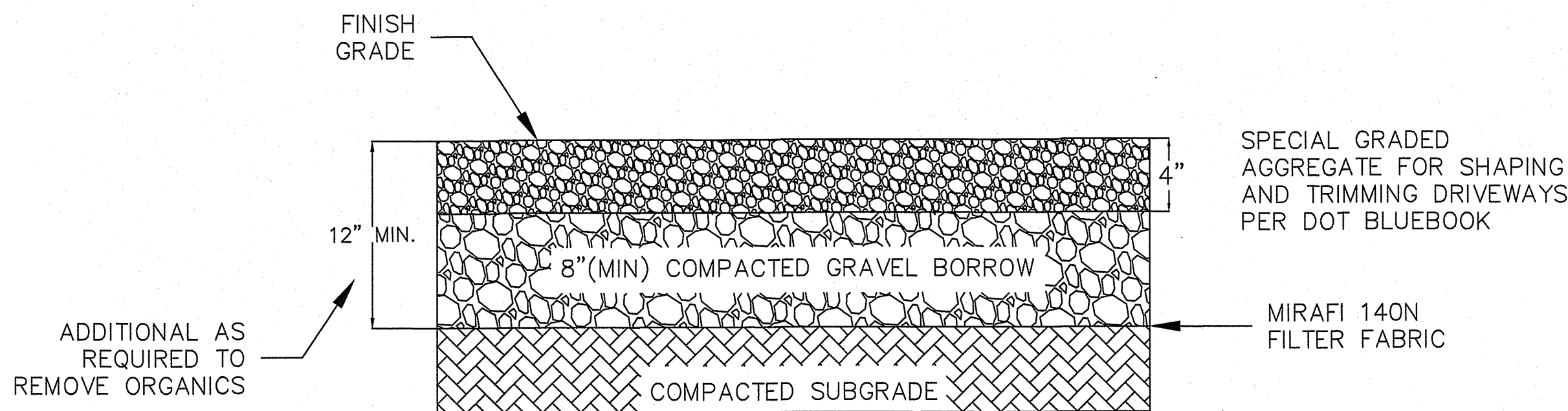
STATE OF RHODE ISLAND
DEPARTMENT OF ENVIRONMENTAL MANAGEMENT
DIVISION OF PLANNING AND DEVELOPMENT

BOAT RAMP IMPROVEMENTS
WILSON RESEVOIR
BURRILLVILLE, RI

Design by: JRT
Drawn by: JRT
Checked by:
Date: JUNE 2023
Scale: As Noted

FLOATING DOCK AND
CONCRETE ABUTMENT
DETAILS

C5
SHEET 07 OF 07



NOTES:
1. REFER TO DETAIL 2, SHEET C4, TABLES 1 AND 2 FOR GRAVEL BORROW AND SPECIAL GRADED AGGREGATE MATERIALS REQUIREMENTS

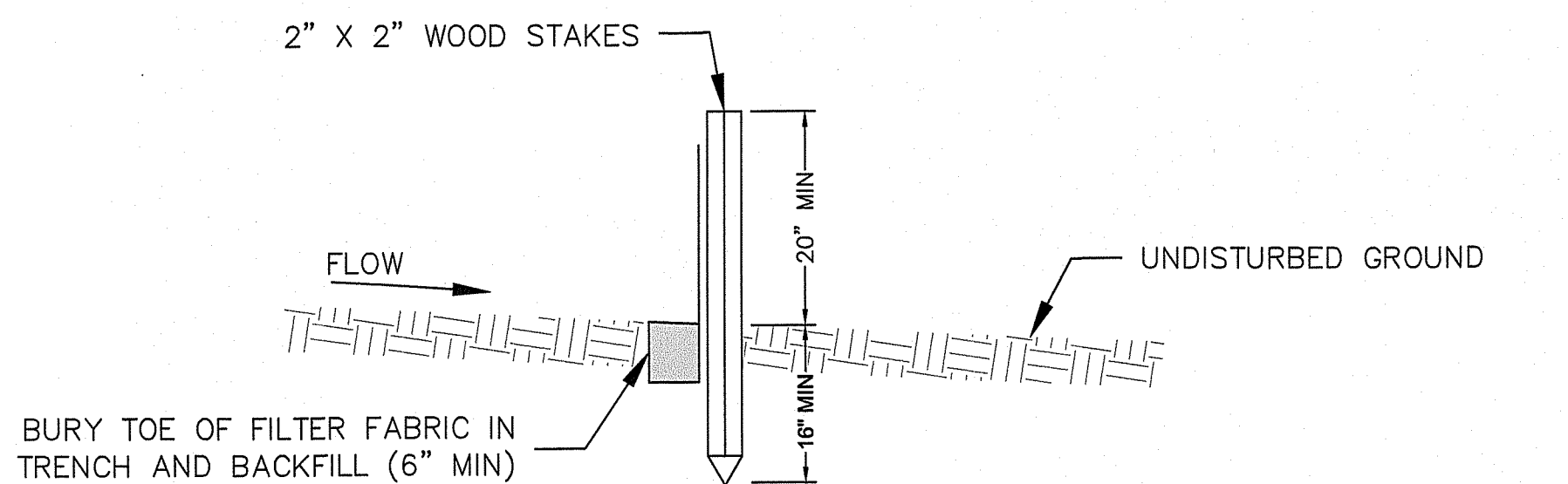
1 GRVEL SURFACE DETAIL
C6 NOT TO SCALE

Gradation - Percent Passing

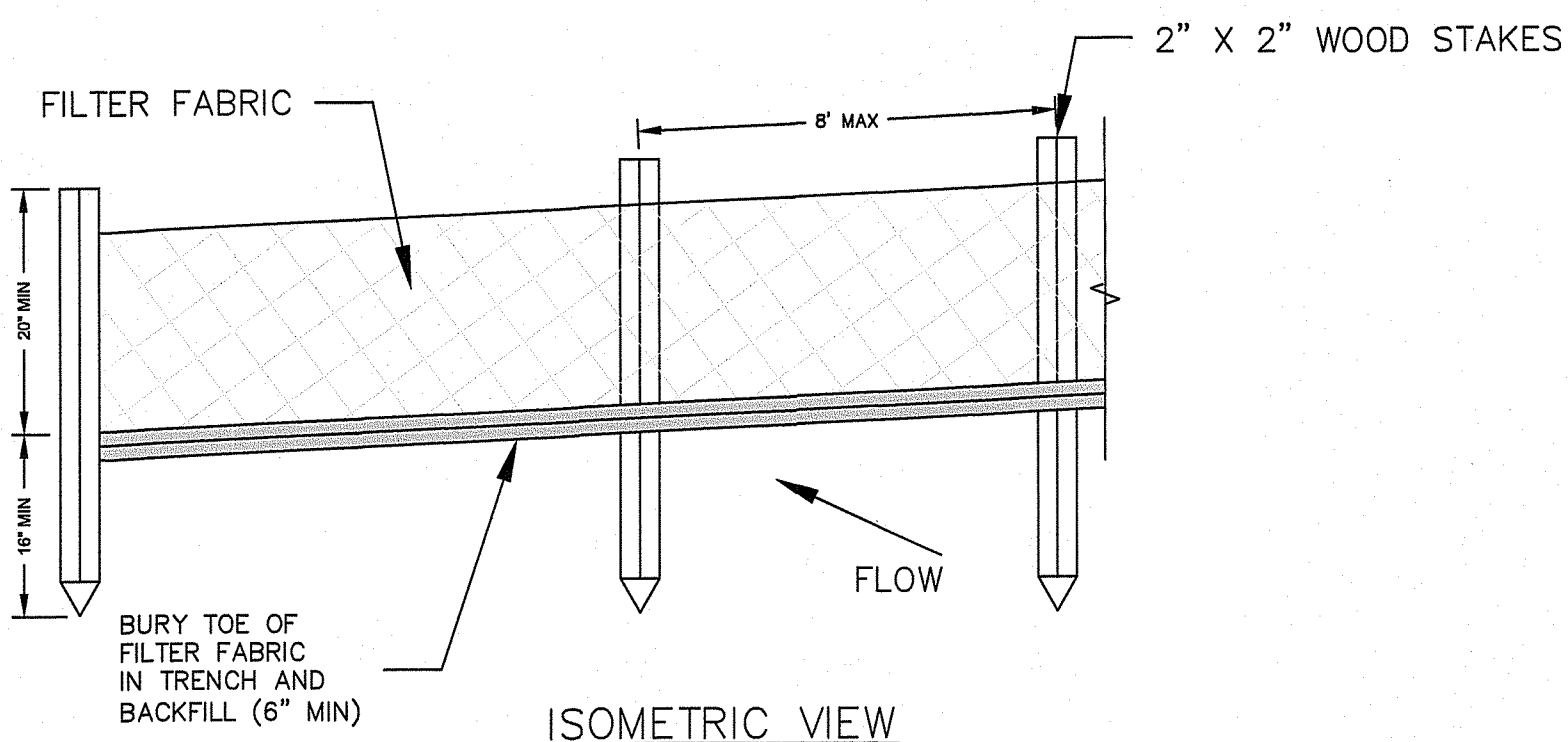
Sieve Size	Gravel Borrow		Crushed Stone or Crushed Gravel	Keystone	Pervious Fill	Filter Stone	Cover Stone
	Ia Bank Run Processed Sand/Gravel	Ib Reclaimed Processed Material					
3"	60 - 100	100			100		
2 1/4"							
2"			100				
1 1/2"		70 - 100	90 - 100				
1 1/4"							
1"			30 - 55	100		100	
3/4"		50 - 85	0 - 25	90 - 100		70 - 85	100
1/2"	50 - 85		0 - 10	20 - 55		10 - 40	90 - 100
3/8"	45 - 80			0 - 20		0 - 20	30 - 60
#4	40 - 75	30 - 55		0 - 5	30 - 100	0 - 5	0 - 15
#8							0 - 5
#40	0 - 45						
#50		8 - 25					
#100			0 - 1				
#200	0 - 10	2 - 10			0 - 8		

Square Mesh Sieve Size:	Percentage by Weight Passing Indicated Square Mesh Sieve:
1 1/2 in.	100
1 in.	85 - 100
1/2 in.	80 - 85
No. 4	40 - 75
No. 40	8 - 35
No. 200	2 - 10

2 RIDOT MATERIAL SPECIFICATIONS
C6 NOT TO SCALE



SECTION VIEW



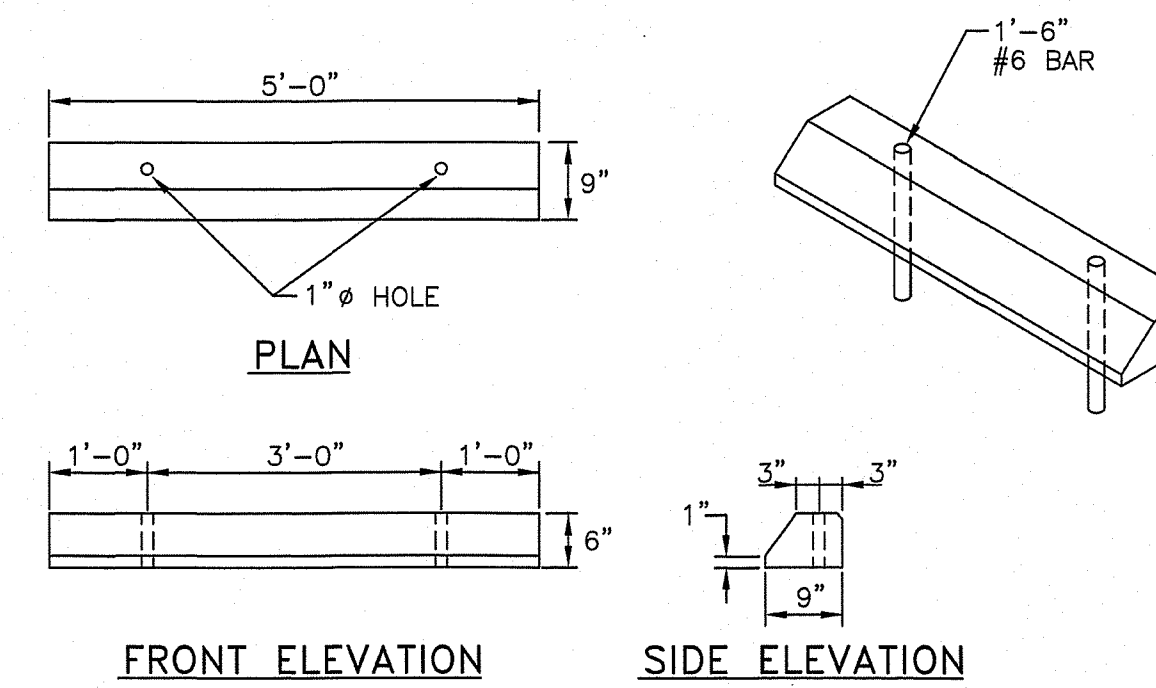
ISOMETRIC VIEW

NOTES:
1. INSTALL FABRIC ON UPHILL SIDE OF WOOD STAKES.
2. MAINTENANCE: INSPECT FOR TEARS IN THE FABRIC OF DAMAGE TO SUPPORTS. REPAIR AS NECESSARY. REMOVE ACCUMULATED SEDIMENT WHEN IT REACHES A DEPTH OF 6-INCHES OR MORE.
3. REMOVAL: WHEN UPHILL AREAS ARE STABILIZED, THE STRUCTURE AND ANY ACCUMULATED SEDIMENT WILL BE REMOVED.

3 SILT FENCE DETAIL
C6 NOT TO SCALE

(Detail Pending)

4 WOODEN GUARD RAIL
C6 NOT TO SCALE



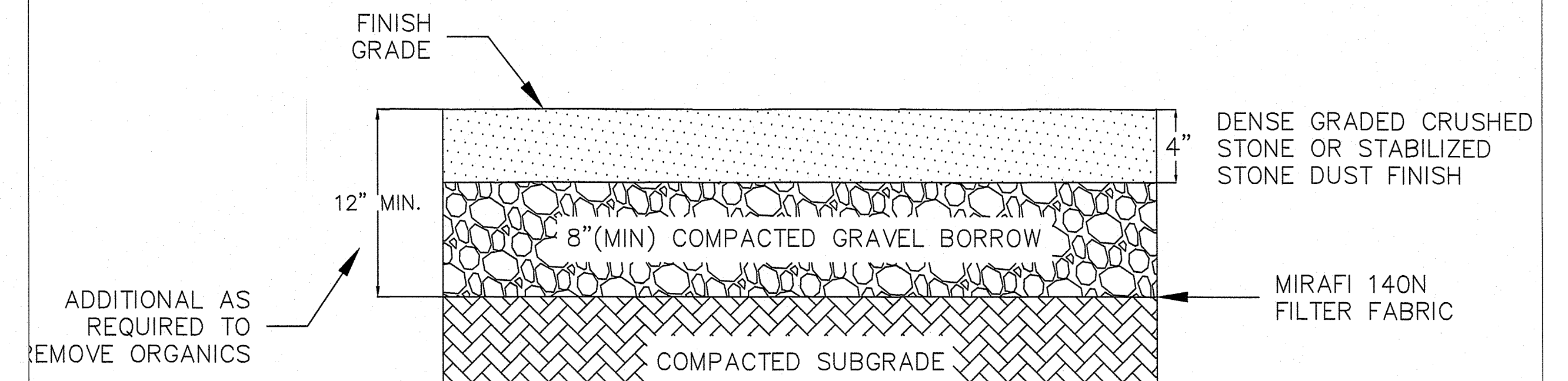
NOTES:
1. SHALL BE IN ACCORDANCE WITH SECTION 906 OF THE R.I. STANDARD SPECIFICATIONS.
2. ALL EXPOSED EDGES TO HAVE A 3/4" CHAMFER.
3. ALL SURFACES TO HAVE A SPONGE FLOAT FINISH.

5 PRECAST CONCRETE CAR STOP
C6 NOT TO SCALE



NOTES:
1. INSTALL ADA PARKING SIGN MOUNTED 60 INCHES MINIMUM ABOVE GROUND ELEVATION

6 ADA SIGN
C6 NOT TO SCALE



NOTES:
1. REFER TO DETAIL 2-C4, TABLES 1 AND 2 FOR GRAVEL BORROW AND CRUSHED STONE MATERIALS SPECIFICATIONS

7 STABILIZED STONE DUST SURFACE DETAIL
C6 NOT TO SCALE

REV	DESCRIPTION	DATE

STATE OF RHODE ISLAND
DEPARTMENT OF ENVIRONMENTAL MANAGEMENT
DIVISION OF PLANNING AND DEVELOPMENT

STANDARD DETAILS

DESIGN BY: CAW
DRAWN BY: CAW
CHECKED BY:
JULY 2024

BOAT RAMP IMPROVEMENTS
WILSON RESERVOIR
BURRILLVILLE, RI

C6

SHEET 07 OF 07

RI DEPARTMENT OF ENVIRONMENTAL MANAGEMENT
OFFICE OF WATER RESOURCES
FRESHWATER WETLANDS PROGRAM
APPROVED WITH CONDITIONS AS SPECIFIED IN THE LETTER OF APPROVAL
DATED: SEP 18 2024 FILE #: 23-0131
NO CHANGES ALLOWED WITHOUT PRIOR APPROVAL
APPROVED PLANS MUST BE AT CONSTRUCTION SITE

Nancy L. Freeman

RI Environmental Management
JUL 25 2024
Office of Water Resources