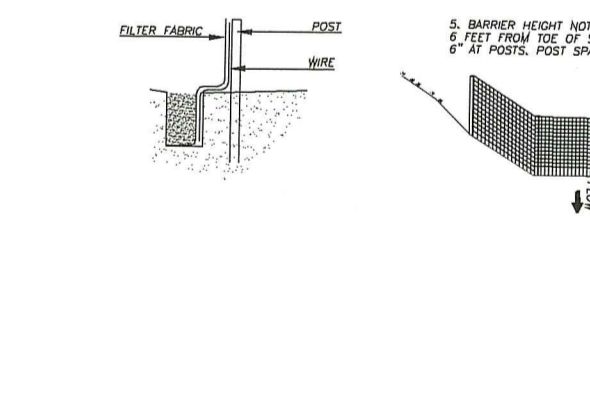
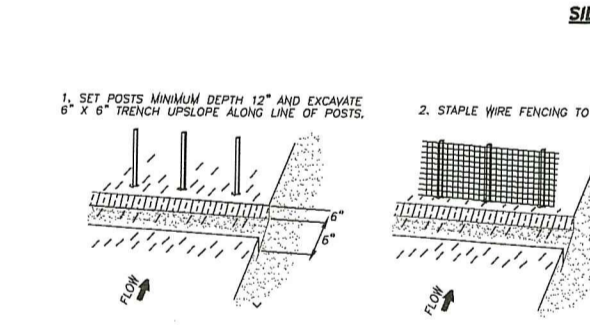
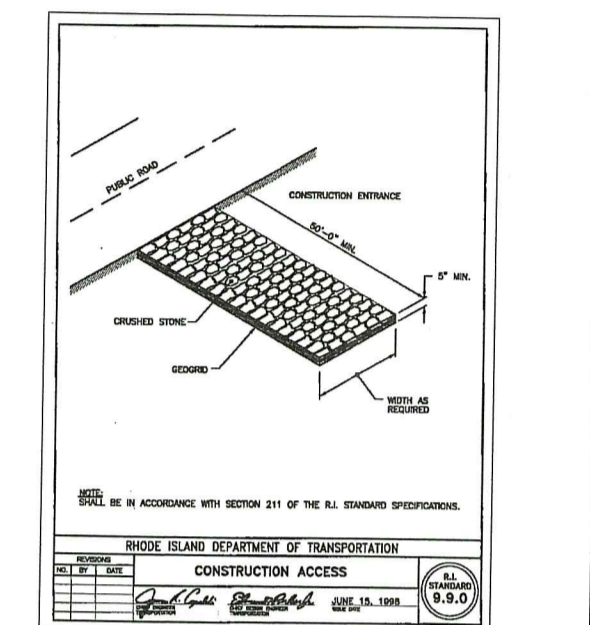
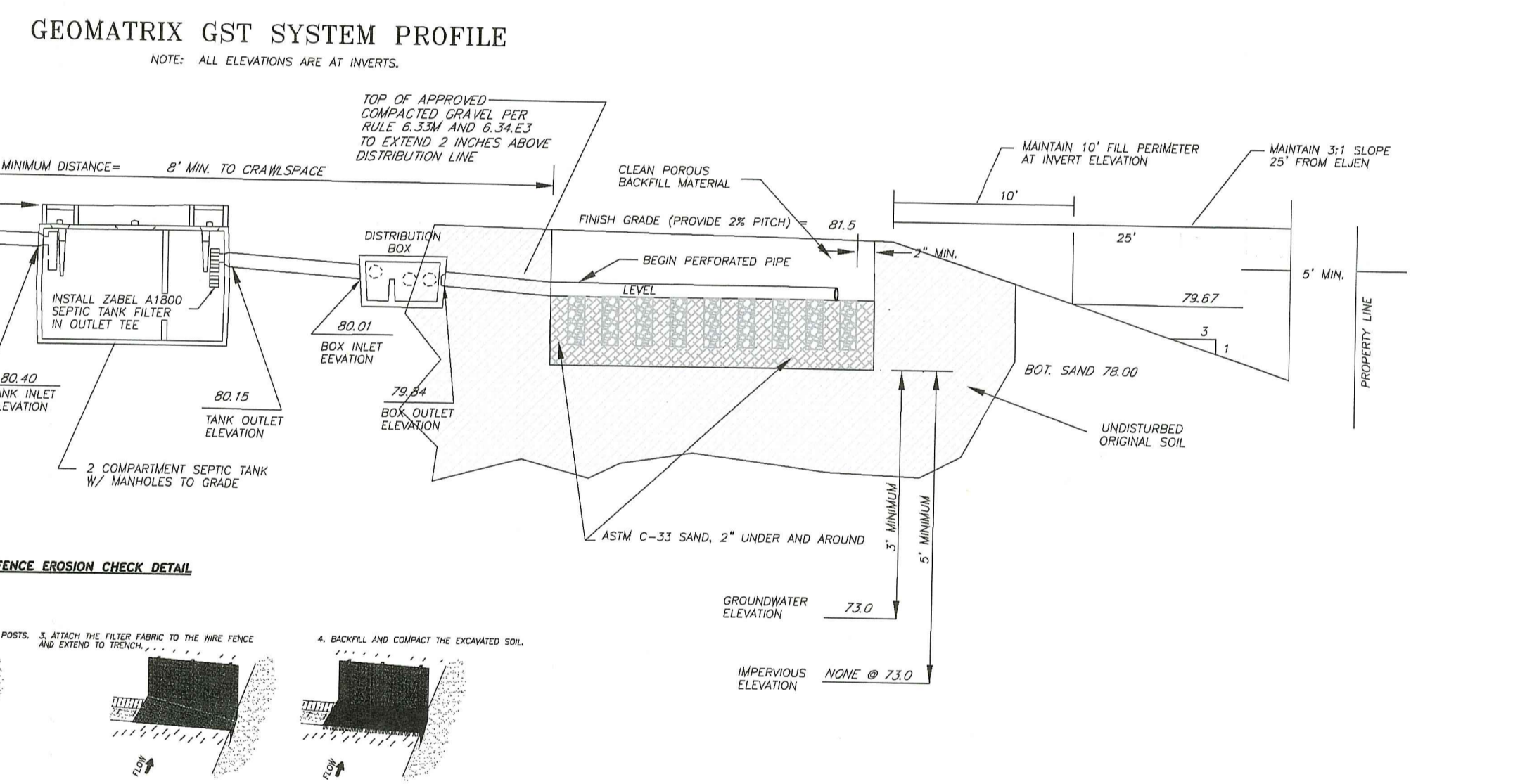
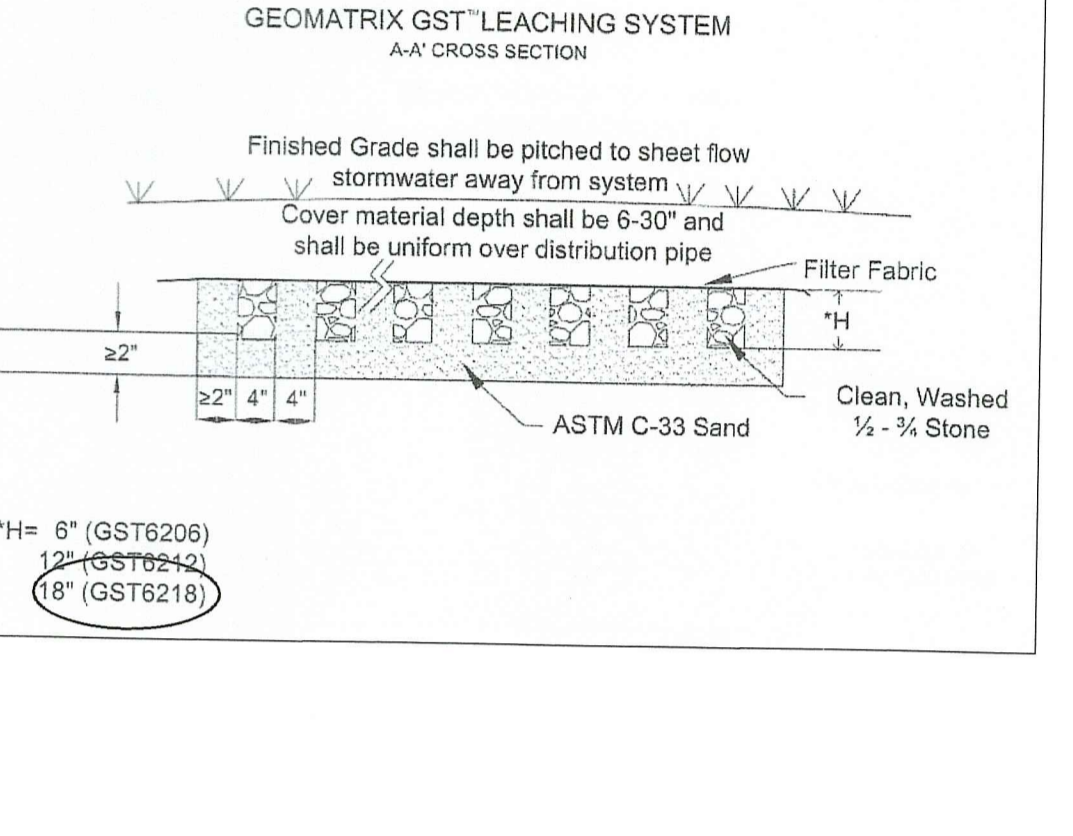
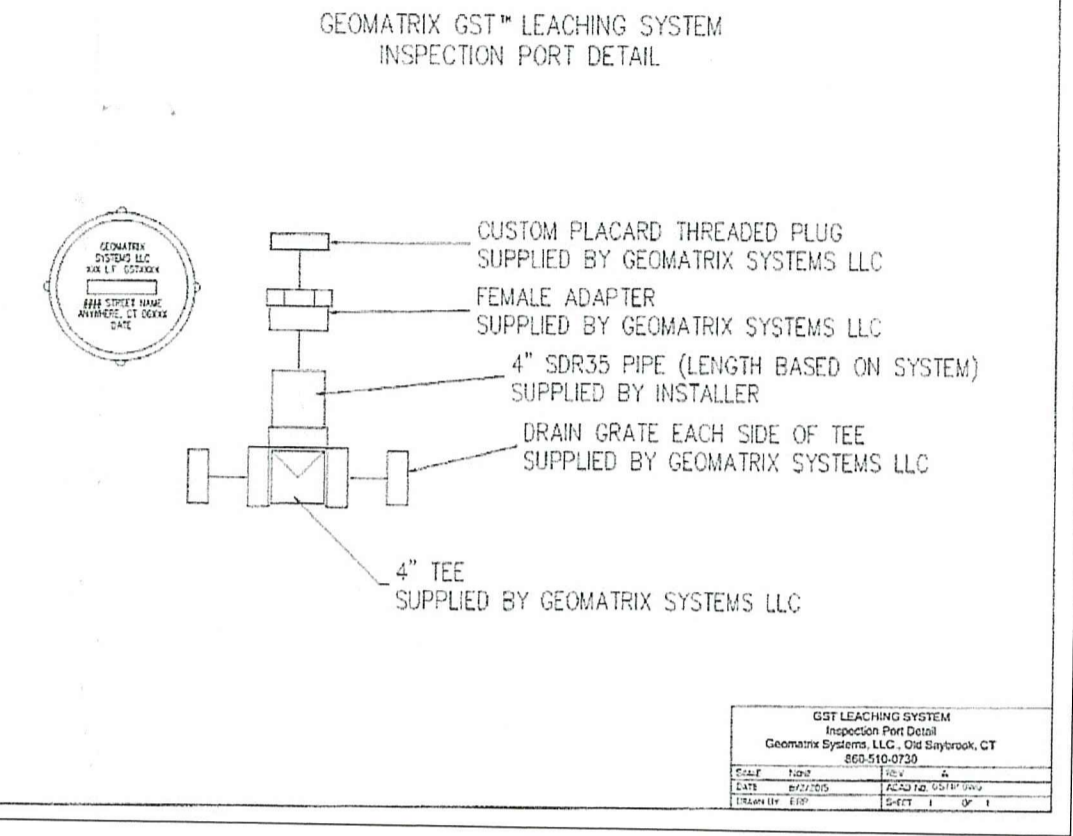


MAINTAIN 10' FILL PERIMETER AT INVERT ELEV. = 79.67  
 GST 6218 (18")  
 BOTTOM OF GST = 78.17  
 2" ASTM C-33 SAND  
 BOTTOM ASTM C-33 SAND = 78.00



**OWTS NOTES & CONDITIONS:**  
 NOT A PUBLIC WATER SERVICE AREA. WELL REQUIRED.  
 THERE ARE NO PROPOSED OR EXISTING SEPTIC SYSTEMS WITHIN 200' OF PROPOSED WELL, EXCEPT AS SHOWN.  
 THERE ARE NO PROPOSED OR EXISTING WELLS, FOR HUMAN CONSUMPTION, WITHIN 200 FEET OF PROPOSED SEPTIC SYSTEM UNLESS SHOWN HEREON.  
 THERE ARE NO EXISTING OR PROPOSED PUBLIC WELLS WITHIN 500 FEET OF THIS PROPOSED SEPTIC SYSTEM.  
 ALL PROPOSED AND EXISTING DRAINS WITHIN 200 FEET OF PROPOSED TRENCHES ARE SHOWN.  
 THERE ARE NO EXISTING OR PROPOSED DRAINS WITHIN 25 FEET OF PROPOSED TRENCHES.  
 ALL PIPING TO BE SCHEDULE 35, UNLESS OTHERWISE NOTED.  
 1000 GALLON SEPTIC TANK, MANHOLES (2) PLACED TO GRADE. DISTRIBUTION BOX H=20" WHEEL LOADING, ACCESS COVER TO GRADE.  
 REFER TO PROFILE AND TYPICALS FOR ADDITIONAL DATA.  
 THIS DESIGNER IN NO WAY GUARANTEES SOIL CONDITIONS BEYOND THE LOCATION OF SHOWN TESTING. ANY SOIL CHANGES, FILL, LEDGE OR DISCREPANCIES IN REPORTED DATA SHALL BE FORWARDED TO THIS DESIGNER AND THE DEPARTMENT OF ENVIRONMENTAL MANAGEMENT ISDS DIVISION, IN WRITING, PRIOR TO COMMENCING CONSTRUCTION OF THE SHOWN SYSTEM.  
 THE INSTALLER SHALL NOTIFY DESIGNER OF RECORD 10 (TEN) DAYS PRIOR TO INSTALLATION OF THIS SYSTEM IF ITEM E. OF ISDS APPLICATION IS CIRCLED. HE SHALL NOTIFY DESIGNER 24 HOURS PRIOR TO REQUIRED INDIVIDUAL INSPECTIONS.  
 THE INSTALLER SHALL REMIT ALL DEM ISDS INSPECTOR REQUESTS (INSPECTION REPORTS) TO DESIGNER OF RECORD WITHIN 24 HOURS OF RECEIPT. HE SHALL NOT COVER SYSTEM UNTIL AN AGENT OF DESIGNER HAS GIVEN COVER ORDER.  
 THE OWNER SHALL BE RESPONSIBLE FOR PAYMENT OF ALL INSPECTIONS, AS-BUILT WORK AND AS-BUILT SUBMISSIONS.

**CLASS II DESIGNER REQUIREMENTS**

A. THE APPLICANT IS REQUIRED TO NOTIFY THIS DESIGNER OF INTENTION TO START CONSTRUCTION OR GRADING OF THIS SITE 10 DAYS PRIOR TO START OF SITE WORK. THE CONTRACTORS TELEPHONE & INSTALLER NUMBER SHALL BE FURNISHED TO THIS DESIGNER FOR COORDINATION OF PROPOSED WORK. THE FOLLOWING MINIMUM REQUIRED ITEMS ARE AS FOLLOWS:

- 24 HOUR NOTICE OF START OF CONSTRUCTION.
- NOTICE FOR INSPECTION OF OWTS BOTTOM LEACHING AREA PRIOR TO 12 NOON THE DAY BEFORE DESIRED DESIGNER/DEM INSPECTION.
- NOTICE FOR INSPECTION OF COMPONENTS & PERIMETER GRADING PRIOR TO 12 NOON THE DAY BEFORE DESIRED DESIGNER/DEM INSPECTION.
- ALL DEM INSPECTION SHEETS ARE TO BE FAXED TO THIS DESIGNER WITHIN 24 HOURS OF RECEIPT.

B. SITE LAYOUT AND REQUIRED INSPECTIONS TO BE MADE BY THIS DESIGNER FOR THE FOLLOWING WORK ITEMS:

- FOUNDATION & OWTS LOCATION AND ELEVATION.
- INSPECTION OF OWTS BOTTOM LEACHING AREA.
- INSPECTION OF OWTS COMPONENTS & FILL PERIMETERS.
- FINAL COVER & WELL LOCATION INSPECTION.

C. THE APPLICANT SHALL BE RESPONSIBLE FOR ANY CHANGES IN THE SHOWN DESIGN AND INCLUDE ANY OF THE FOLLOWING:

- NEW APPLICATIONS AS REQUIRED BY DEM GUIDELINES.
- AS-BUILT LOCATIONS AND REQUIRED PLANS.
- COMMUNICATIONS OR COORDINATION WITH DEM STAFF.
- CHANGES IN INSTALLATION NOT MEETING DEM REQUIRED GUIDELINES.

D. THE APPLICANT SHALL PROVIDE DESIGNER WITH MATERIALS RECEIPTS FOR ALL CONSTRUCTION MATERIALS PRIOR TO DESIGNER ISSUING CERTIFICATE OF CONSTRUCTION.

E. THE OWNER SHALL FURNISH ORIGINAL APPLICATION (PWK COP) AND ACCOMPANYING PLAN APPROVAL TO INSTALLER PRIOR TO START OF CONSTRUCTION. SAID INFORMATION SHALL REMAIN ON SITE DURING ENTIRE CONSTRUCTION PERIOD AND RETURNED TO THE OWNER UPON COMPLETION OF OWTS INSTALLATION.

F. OWNER / APPLICANT'S SIGNING OF APPLICATION SHALL BE CONSIDERED PERMISSION TO INSPECT THE ABOVE SITE AT ANY TIME AFTER START OF CONSTRUCTION BEGINS TO ENSURE PROPER INSTALLATION PROCEDURES & FUNCTIONING OF OWTS SYSTEM.

G. THE ABOVE INFORMATION ARE MINIMUM REQUIREMENTS AND SHALL BE REVISED AS THE DESIGNER DEEMS NECESSARY FOR PROPER FUNCTIONING OF THE SHOWN OWTS DESIGN.

